



US00D716385S

(12) **United States Design Patent**
Masalin et al.

(10) **Patent No.:** **US D716,385 S**

(45) **Date of Patent:** **** Oct. 28, 2014**

- (54) **SAW**
- (71) Applicant: **Fiskars Brands Finland Oy Ab**, Billnäs (FI)
- (72) Inventors: **Petteri Masalin**, Helsinki (FI); **Vesa Korjus**, Lahti (FI); **Jouni Salojärvi**, Helsinki (FI); **Egon Missik**, Lahti (FI); **Pirkka Haimi**, Lahti (FI)
- (73) Assignee: **Fiskars Brands Finland Oy Ab**, Billnäs (FI)
- (**) Term: **14 Years**
- (21) Appl. No.: **29/440,374**
- (22) Filed: **Dec. 20, 2012**

- (30) **Foreign Application Priority Data**
- Jul. 2, 2012 (EM) 002066605-0009
- (51) **LOC (10) Cl.** **21-01**
- (52) **U.S. Cl.**
USPC **D21/532**
- (58) **Field of Classification Search**
USPC D21/532; D8/95, 96, 97, 98; D7/649, D7/650, 643; 446/473; D17/20
See application file for complete search history.

- (56) **References Cited**
- U.S. PATENT DOCUMENTS**
- D240,066 S * 5/1976 Moustakas D21/532
- D277,509 S * 2/1985 Lawrence et al. D24/155
- D336,102 S * 6/1993 Hodesh D17/20

- D395,330 S * 6/1998 Sarno D17/20
- D403,559 S * 1/1999 Terenzio D7/650
- D466,764 S * 12/2002 Haythornthwaite et al. .. D7/643
- D500,233 S * 12/2004 Overthun D7/650
- D572,542 S * 7/2008 Epstein D7/649
- D581,734 S * 12/2008 Epstein D7/401.2
- D637,223 S * 5/2011 King D17/20
- D654,324 S * 2/2012 Ono et al. D7/649
- D672,385 S * 12/2012 Goad D17/20

* cited by examiner

Primary Examiner — Phillip S Hyder

(74) *Attorney, Agent, or Firm* — Foley & Lardner LLP

(57) **CLAIM**

We claim the ornamental design for a saw, as shown and described.

DESCRIPTION

FIG. 1 is a front perspective view of an embodiment of the claimed design;

FIG. 2 is a rear perspective view of the claimed design of FIG. 1;

FIG. 3 is a front elevation view of the claimed design of FIG. 1;

FIG. 4 is a rear elevation view of the claimed design of FIG. 1;

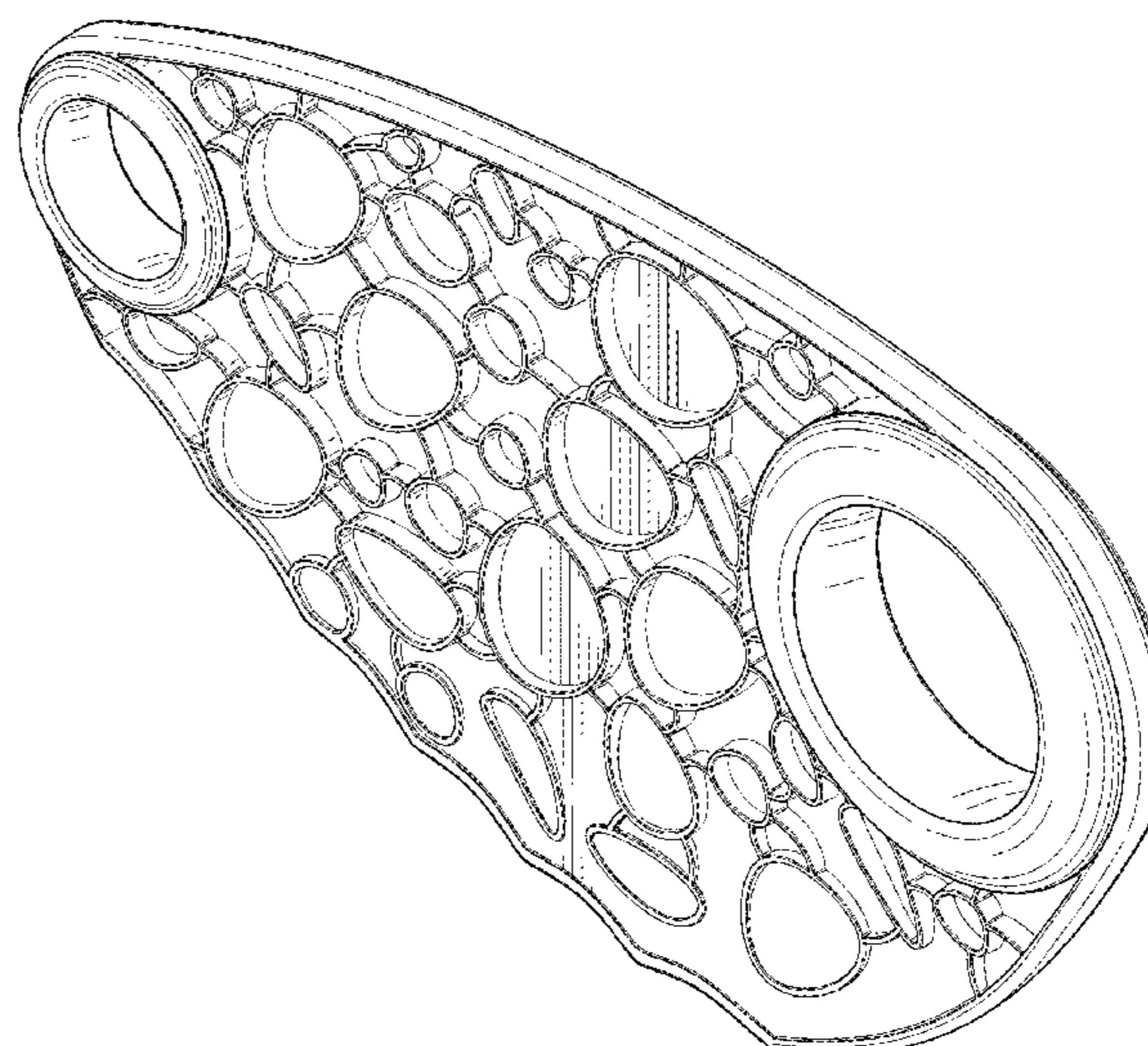
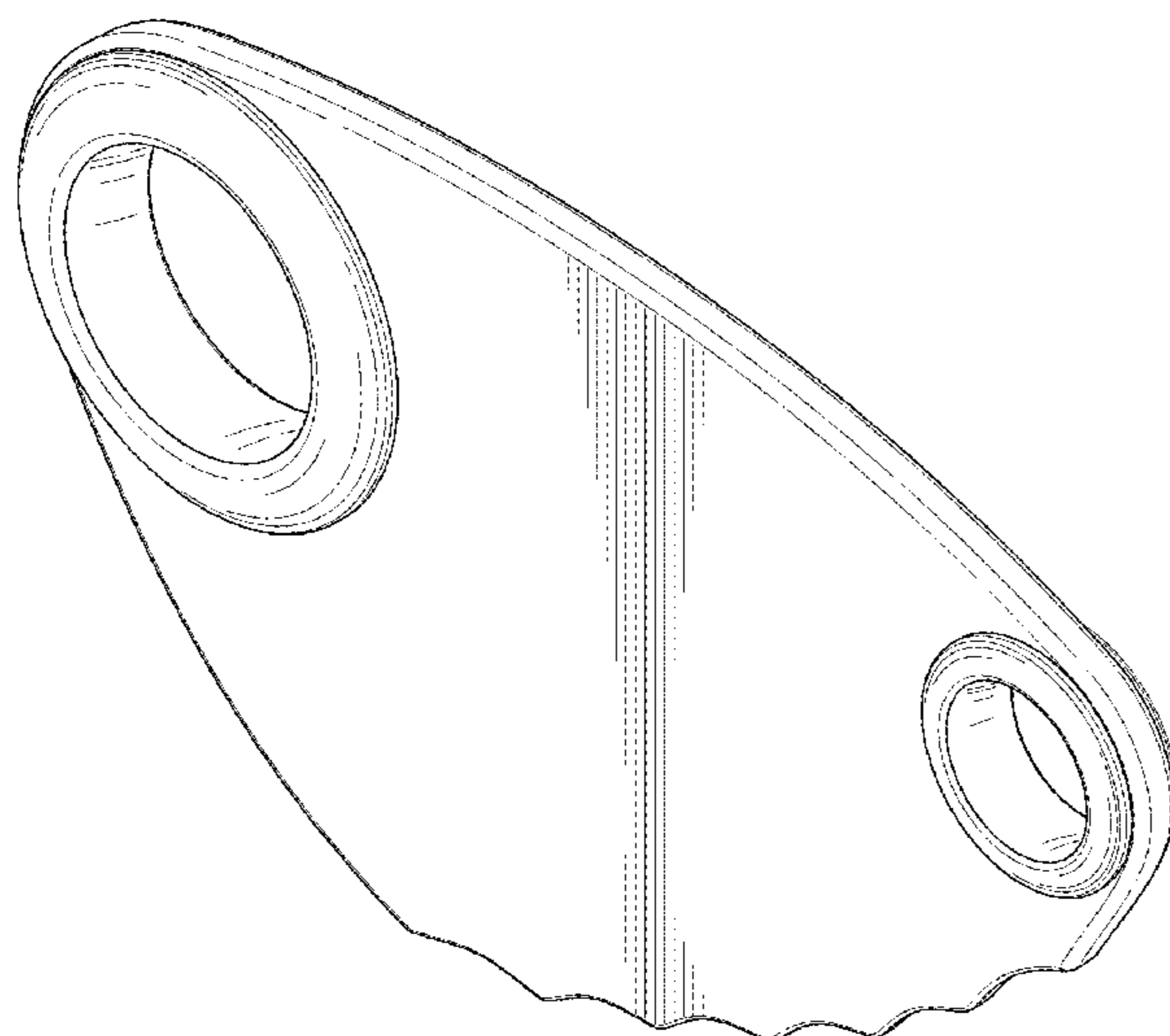
FIG. 5 is a right side view of the claimed design of FIG. 1;

FIG. 6 is a left side view of the claimed design of FIG. 1; and

FIG. 7 is a bottom view of the claimed design of FIG. 1.

The ornamental design which is claimed is shown in solid lines in the drawings. The broken lines in the drawings are for illustrative purposes only and form no part of the claimed design.

1 Claim, 6 Drawing Sheets



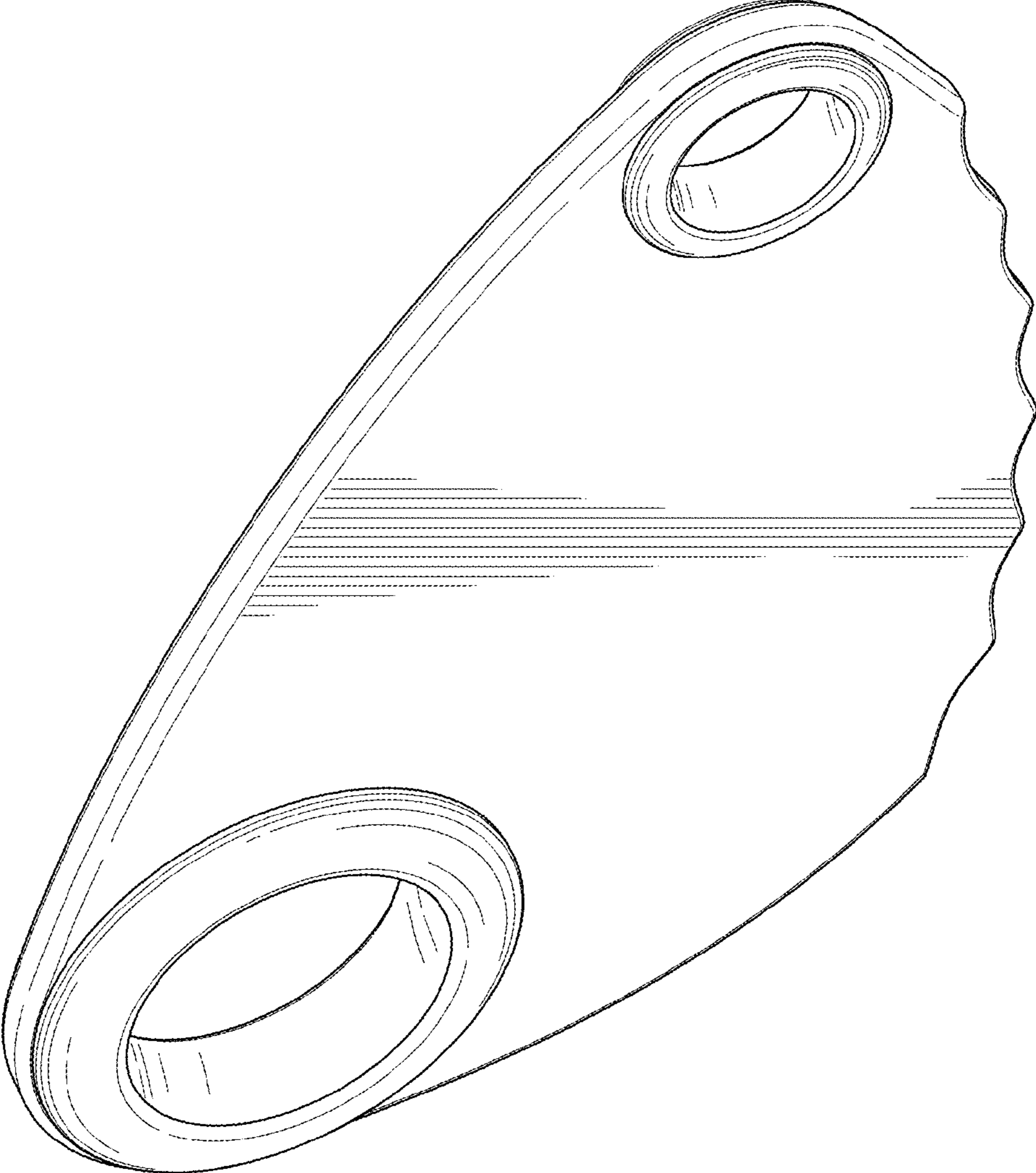


FIG. 1

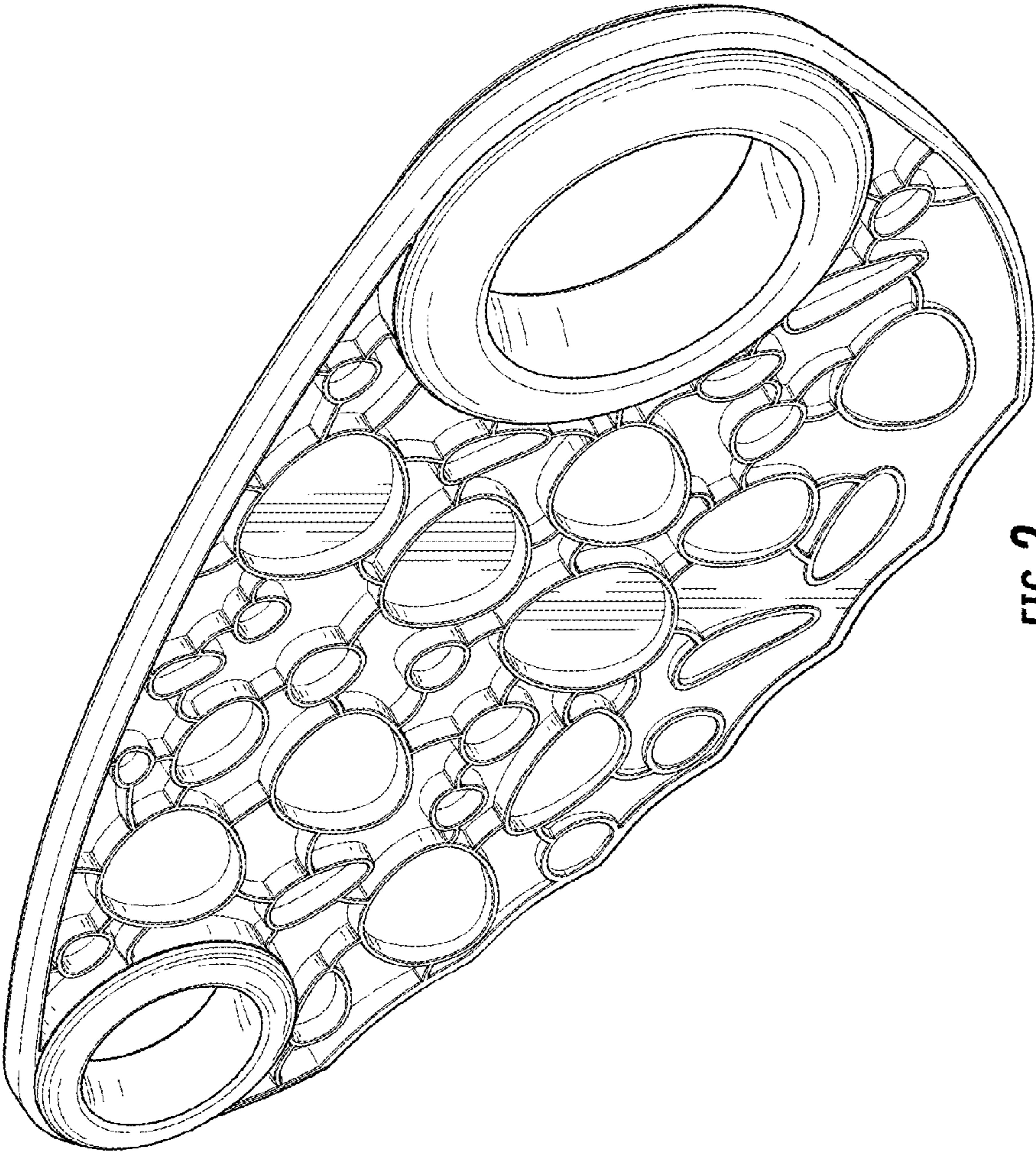


FIG. 2

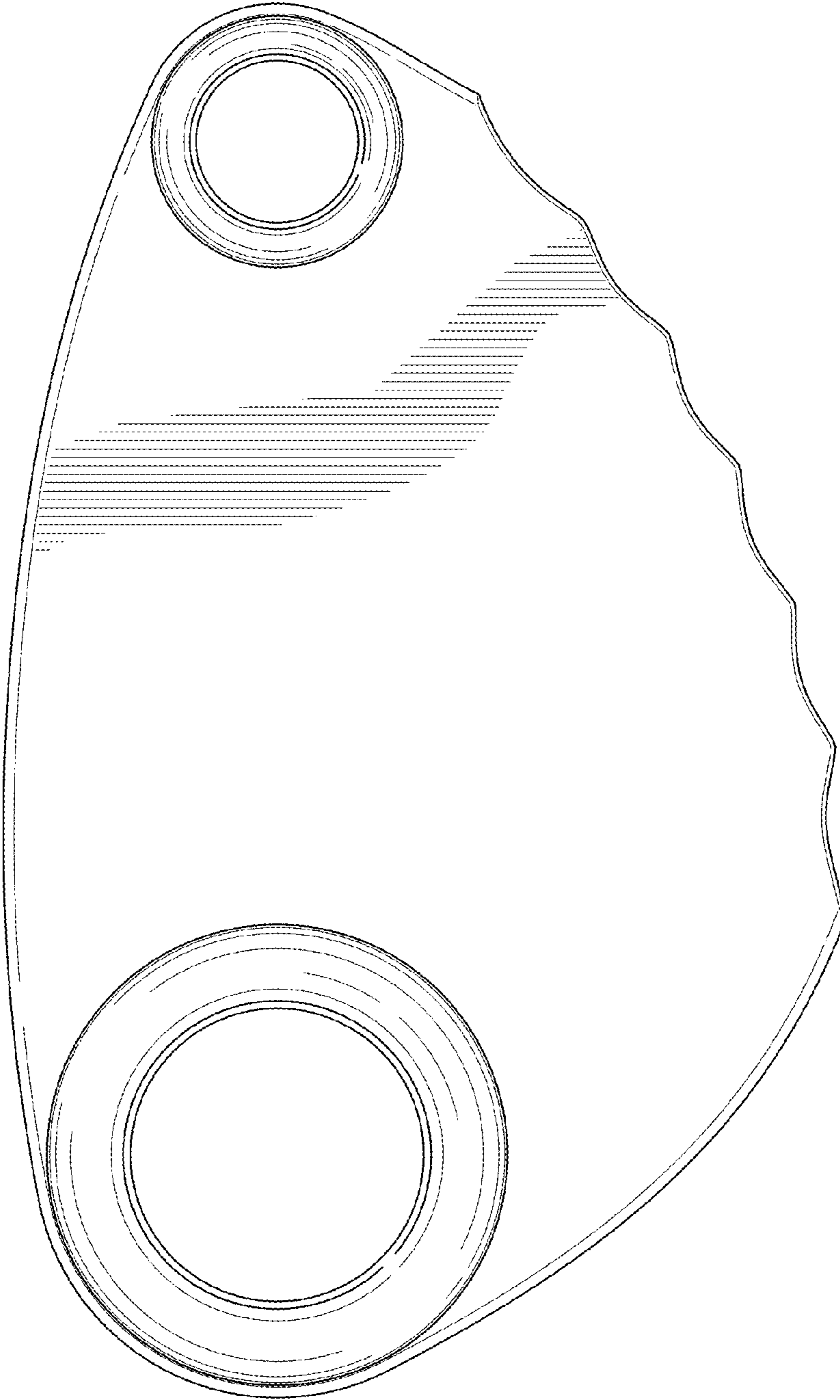


FIG. 3

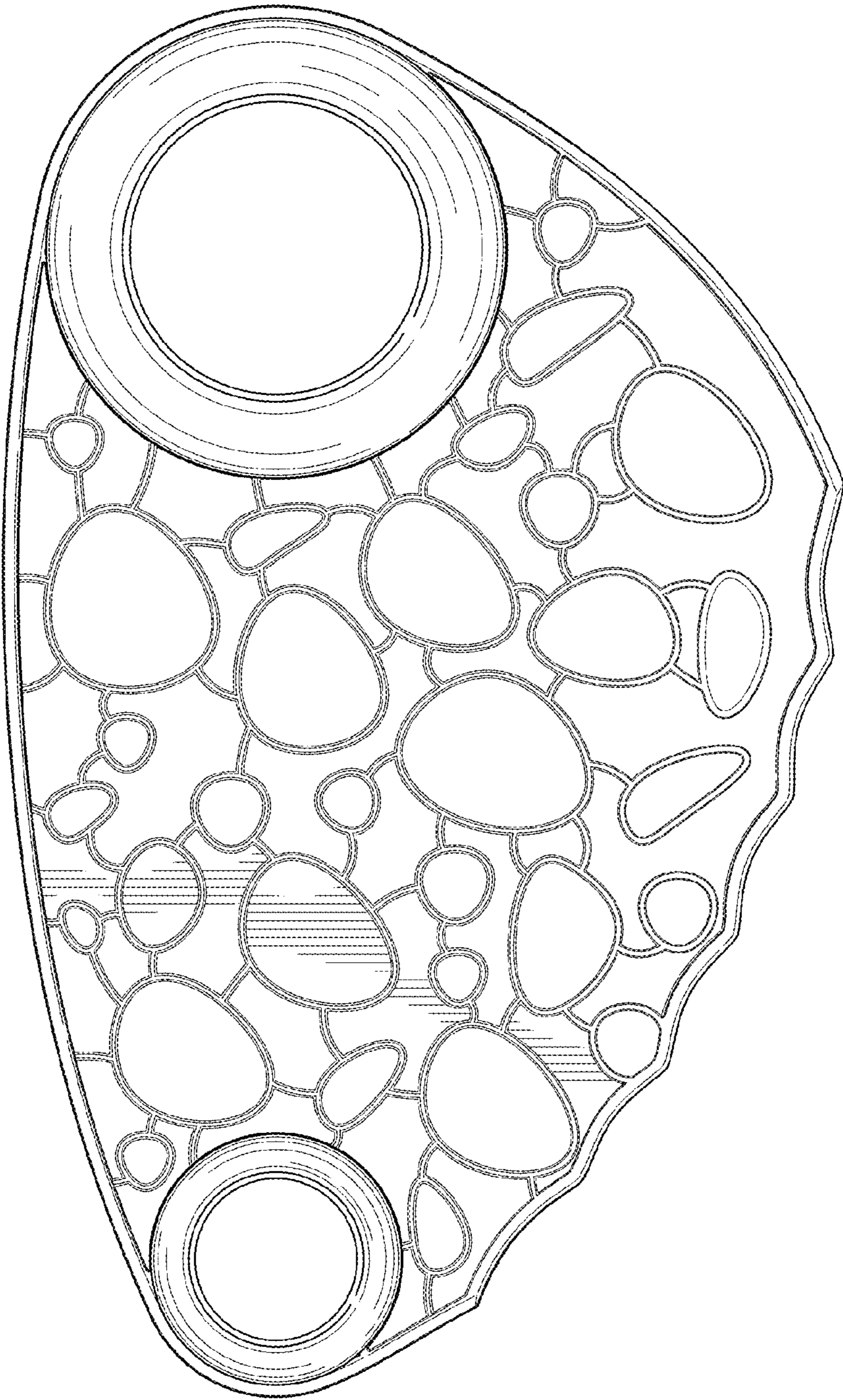


FIG. 4

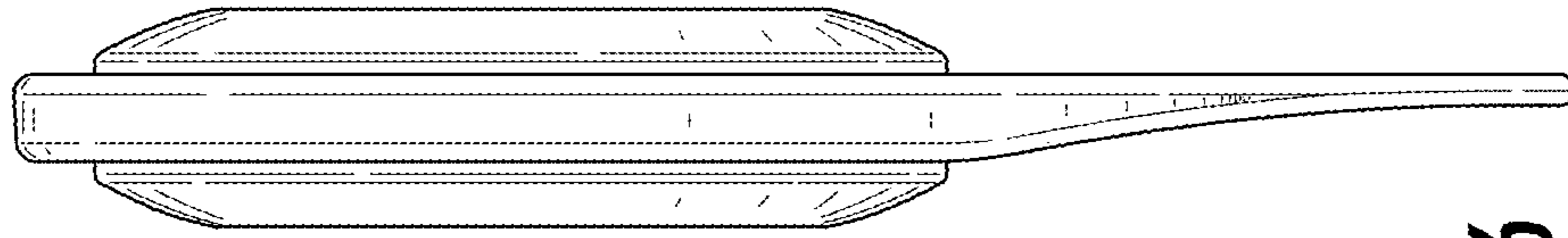


FIG. 6

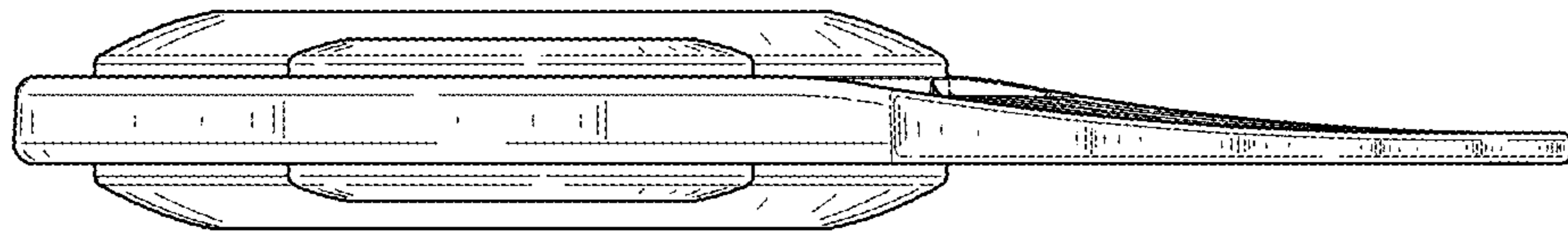


FIG. 5

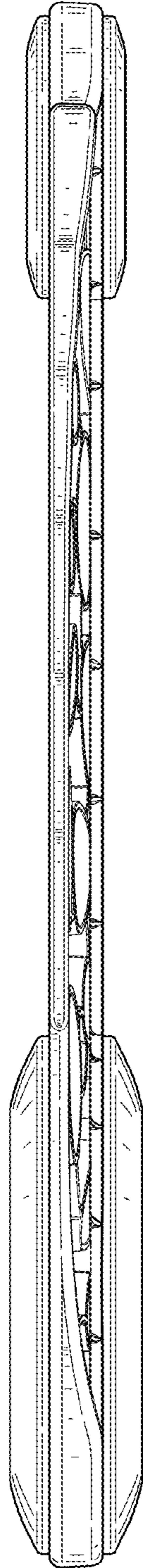


FIG. 7