



US00D716383S

(12) **United States Design Patent**  
**Li**

(10) **Patent No.:** **US D716,383 S**  
(45) **Date of Patent:** **\*\* Oct. 28, 2014**

(54) **SNOW BRICK MAKER**  
(71) Applicant: **Shantou Top Toys Co., Ltd**, Guangdong (CN)  
(72) Inventor: **Fengchao Li**, Guangdong (CN)  
(73) Assignee: **Shantou Top Toys Co., Ltd**, Shantou (CN)

D219,526 S \* 12/1970 Reading ..... D21/472  
3,561,155 A \* 2/1971 Tarrson ..... 446/70  
D220,048 S \* 3/1971 Reading ..... D21/472  
3,685,942 A \* 8/1972 Shaffer ..... 425/276  
3,717,431 A \* 2/1973 Matsuda ..... 25/318  
3,816,048 A \* 6/1974 Berry et al. .... 425/318  
D246,064 S \* 10/1977 Koblick ..... D21/472  
4,154,423 A \* 5/1979 Crock ..... 249/134  
4,262,442 A \* 4/1981 Mansfield ..... 446/70  
D332,643 S \* 1/1993 Knudsen ..... D21/484

(\*\*) Term: **14 Years**

**FOREIGN PATENT DOCUMENTS**

(21) Appl. No.: **29/476,858**

JP 2004243052 A \* 9/2004

(22) Filed: **Dec. 18, 2013**

\* cited by examiner

(51) **LOC (10) Cl.** ..... **21-01**

*Primary Examiner* — Catherine Tuttle

(52) **U.S. Cl.**  
USPC ..... **D21/468**; D21/472

(57) **CLAIM**

(58) **Field of Classification Search**  
USPC ..... D21/468, 471, 472, 483, 484, 493, 494,  
D21/506-511; D15/90, 136; 446/70, 71, 76,  
446/85, 86, 476; 249/55, 66.1, 104, 117,  
249/119, 126, 127, 129, 140; 425/DIG. 57  
See application file for complete search history.

The ornamental design for a snow brick maker, as shown and described.

**DESCRIPTION**

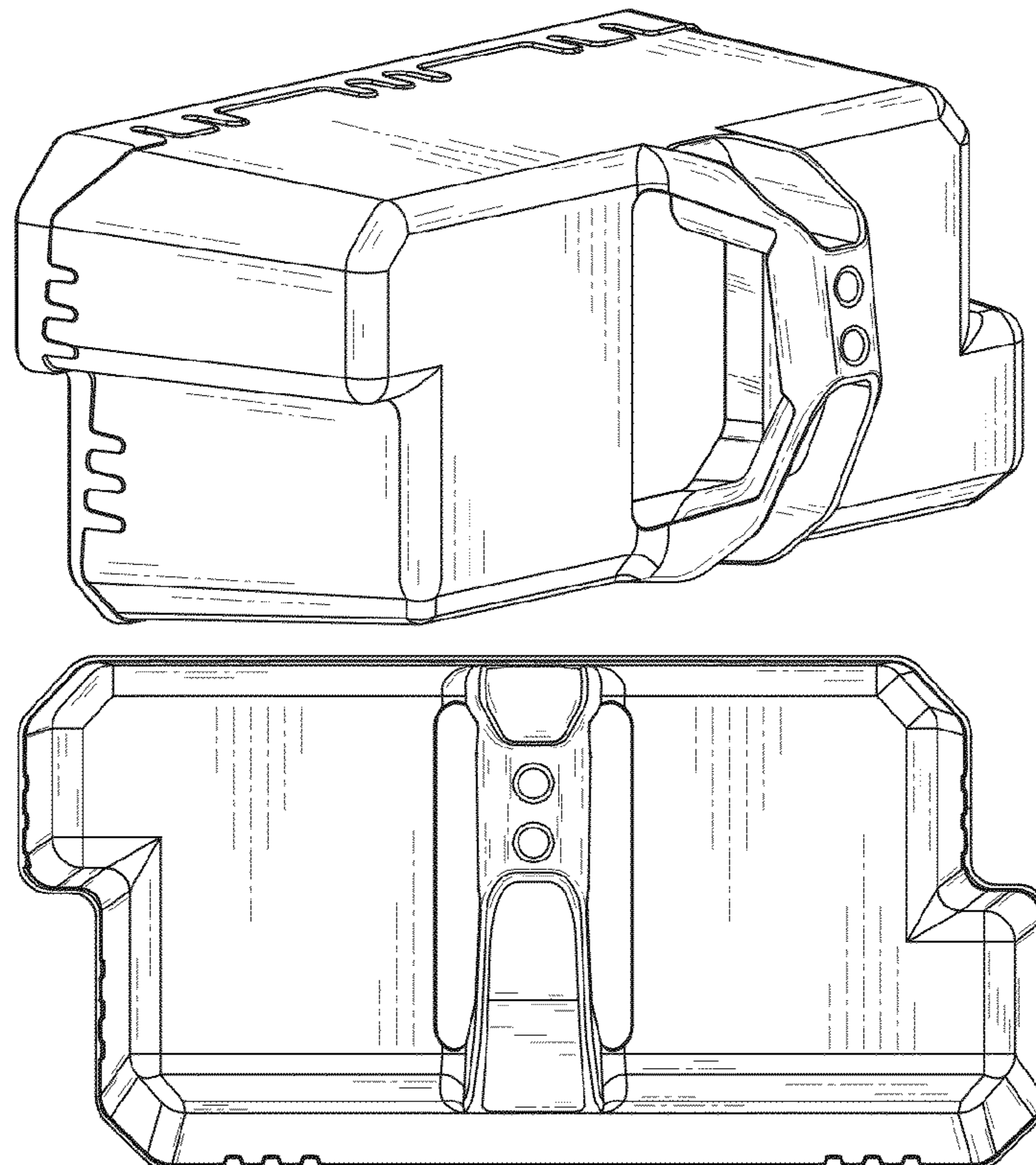
(56) **References Cited**

**U.S. PATENT DOCUMENTS**

294,607 A \* 3/1884 Frost ..... 446/124  
D22,298 S \* 3/1893 Smith, Sr. .... D15/90  
2,458,728 A \* 1/1949 Plhak ..... 425/317

FIG. 1 is a perspective view of a snow brick maker of my new design;  
FIG. 2 is a front elevation view thereof;  
FIG. 3 is a rear elevation view thereof;  
FIG. 4 is a left side view thereof;  
FIG. 5 is a right side view thereof;  
FIG. 6 is a top plan view thereof; and,  
FIG. 7 is a bottom plan view thereof.

**1 Claim, 4 Drawing Sheets**



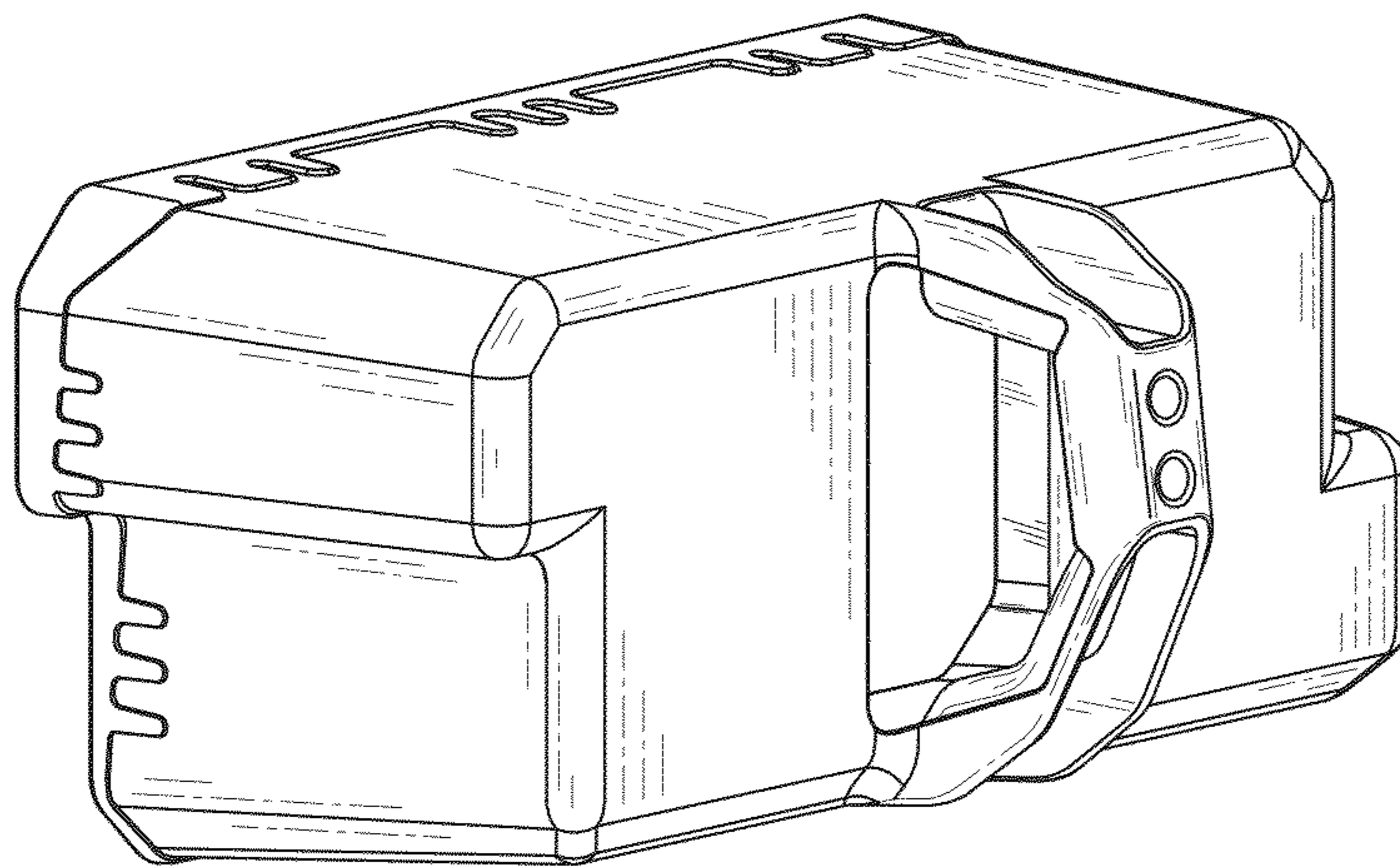


FIG.1

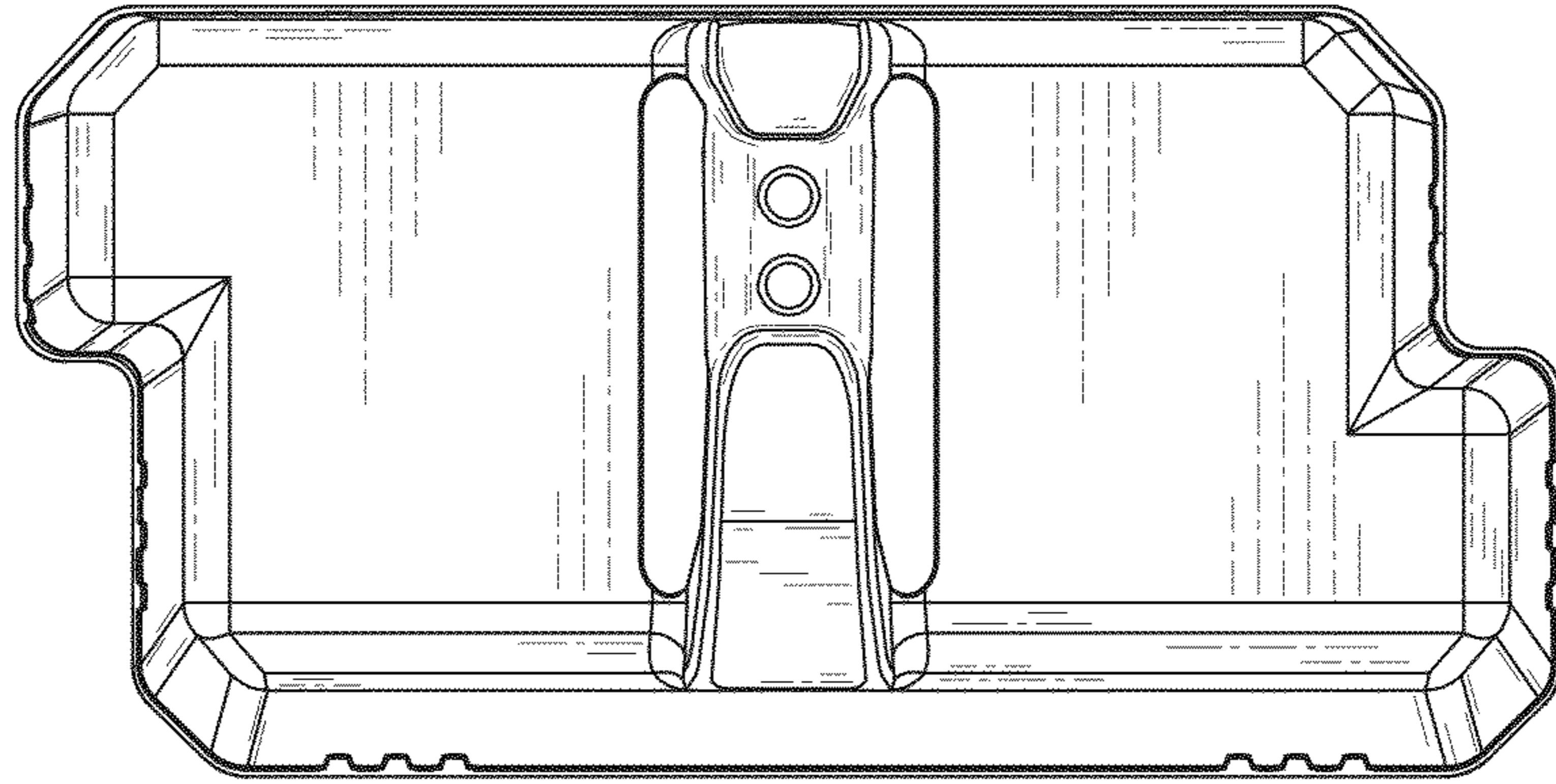


FIG. 2

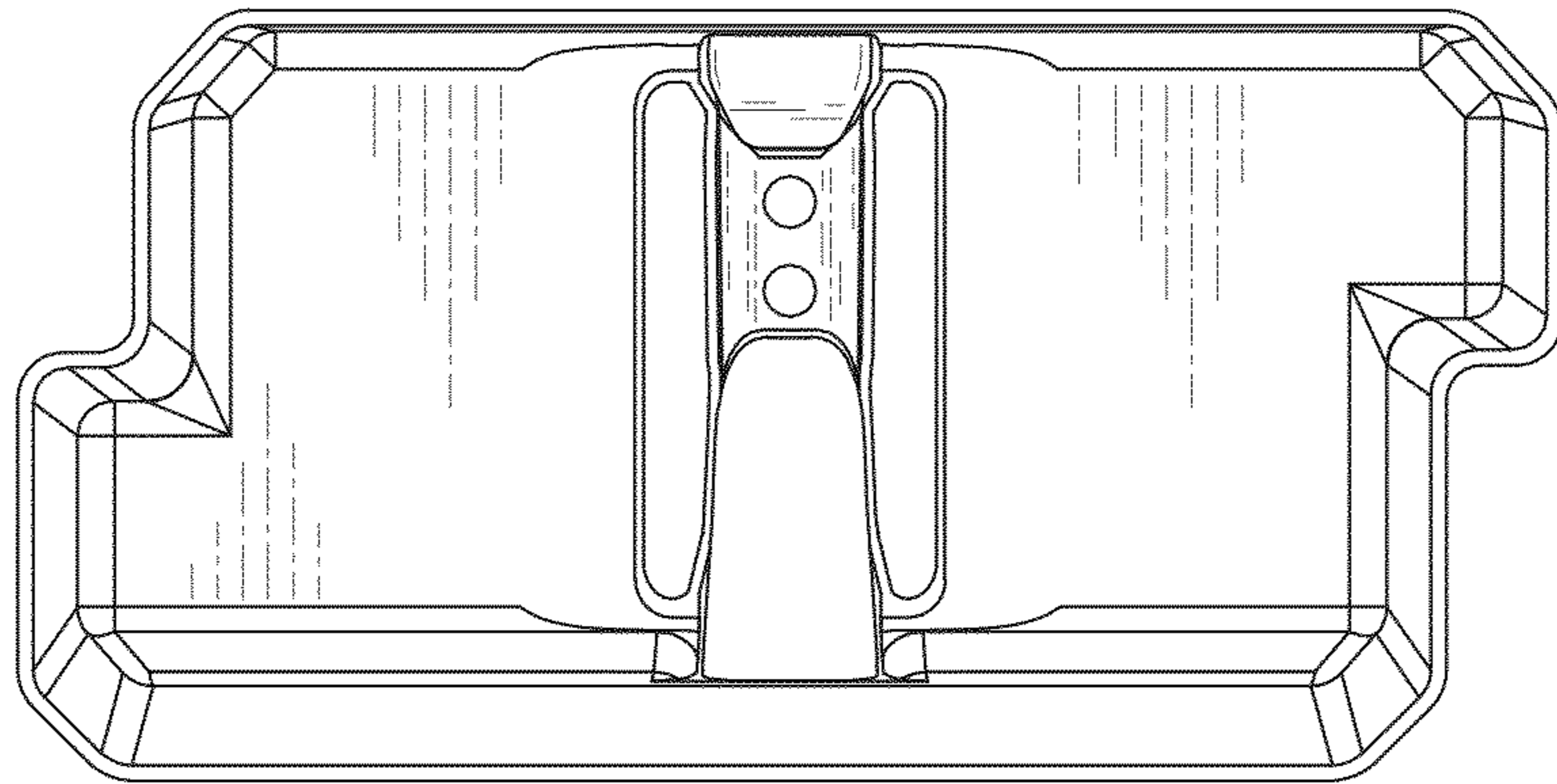


FIG. 3

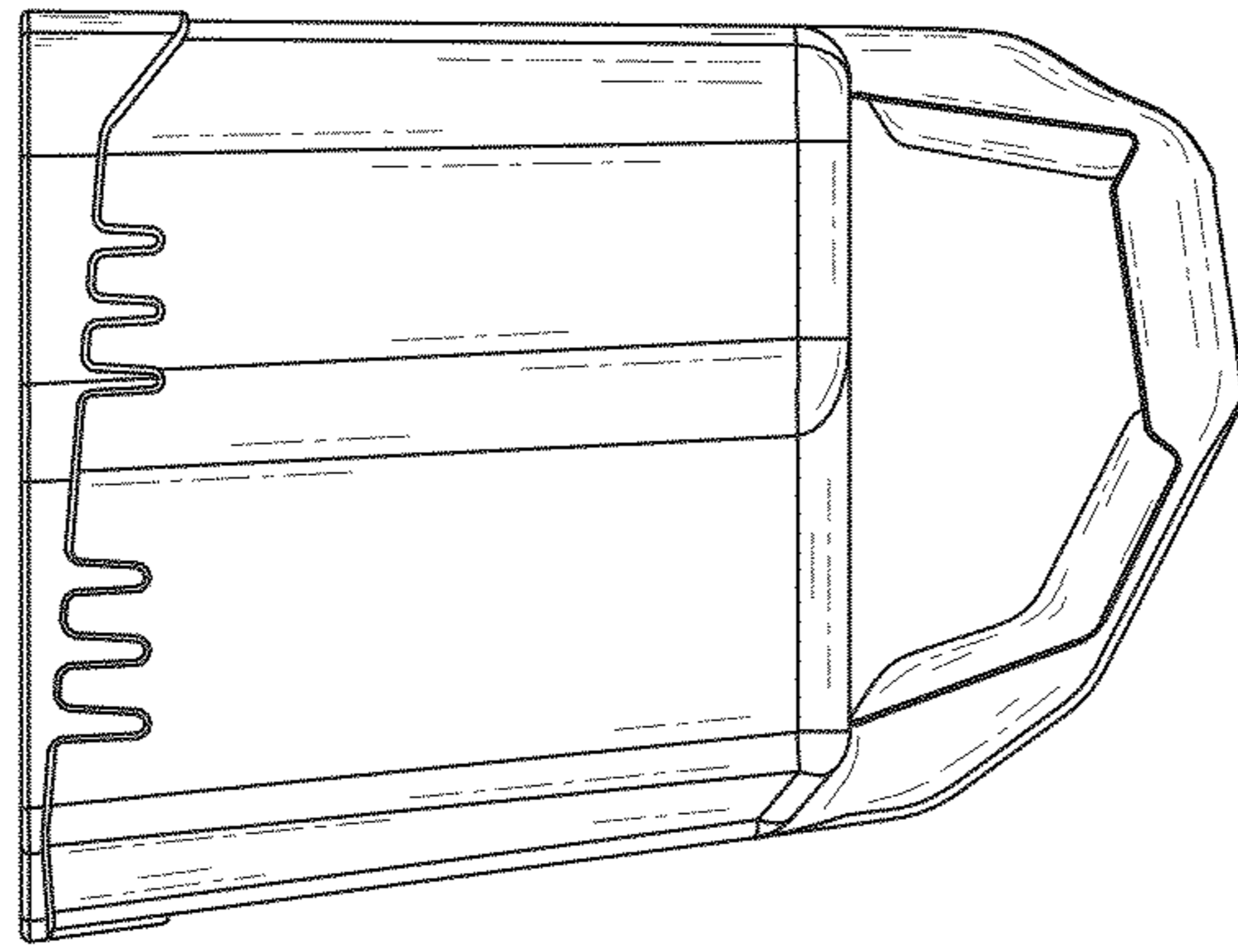


FIG. 4

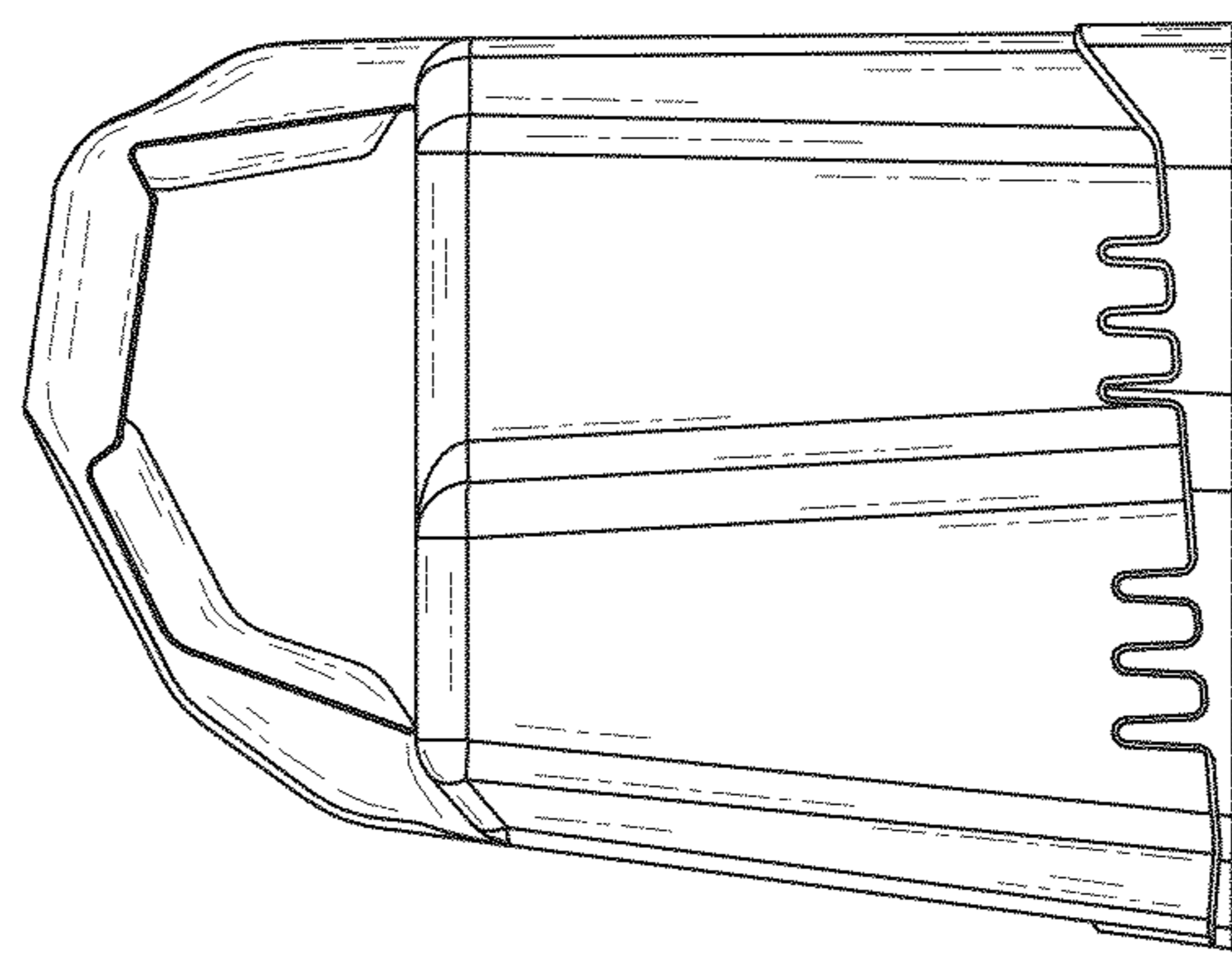


FIG. 5

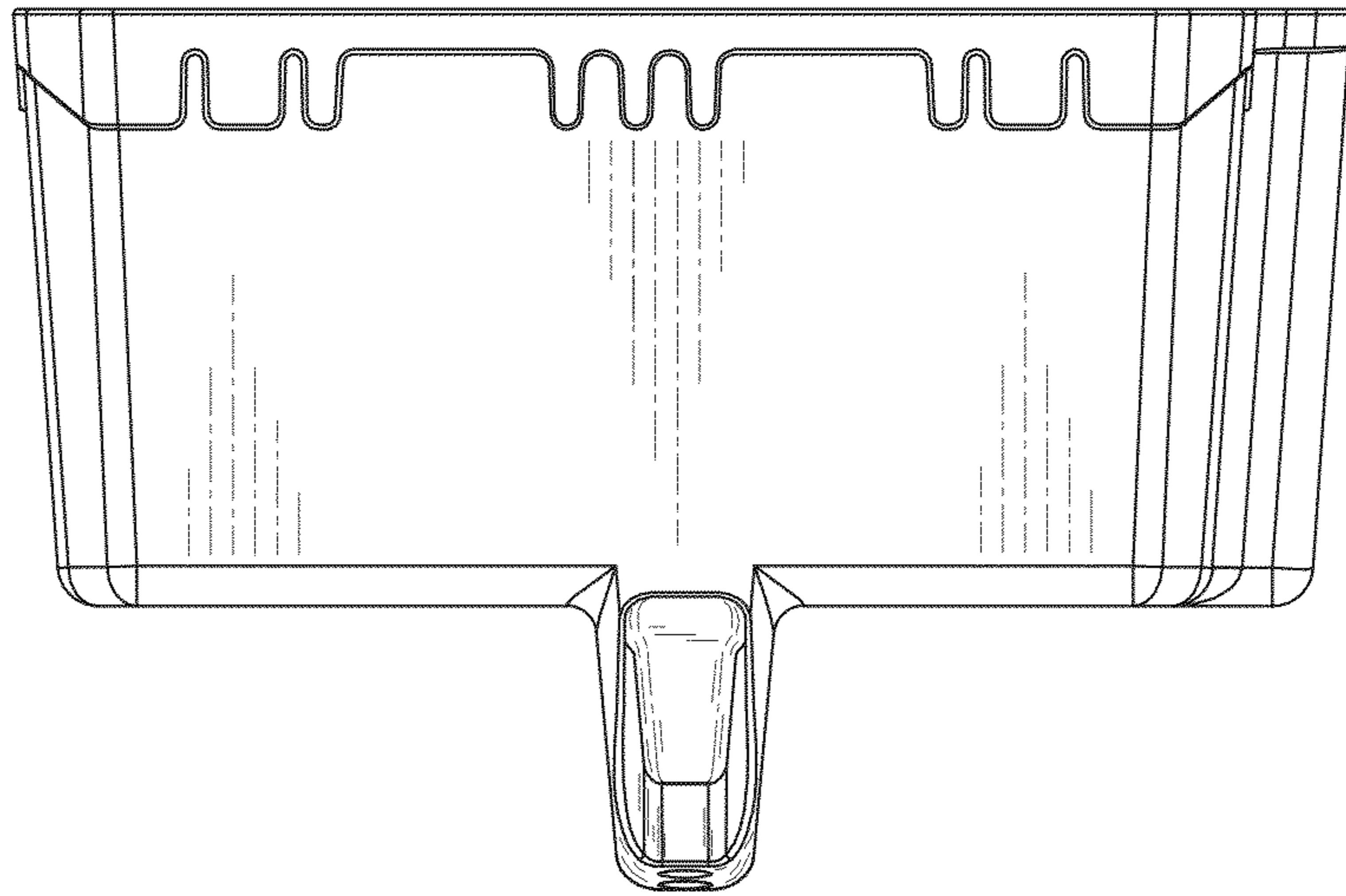


FIG. 6

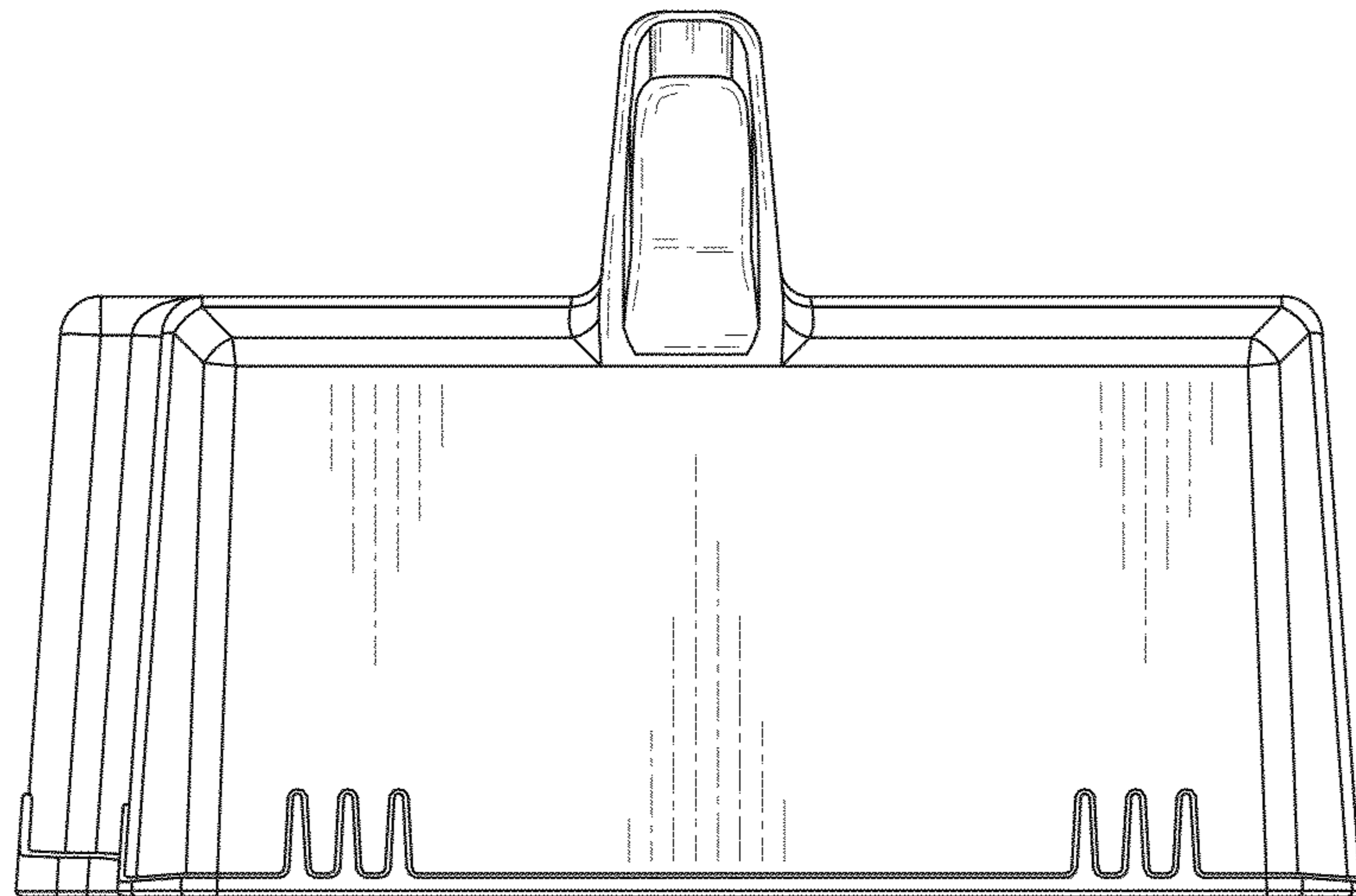


FIG. 7