



US00D716382S

(12) **United States Design Patent**  
**Herlitz et al.**

(10) **Patent No.:** **US D716,382 S**  
(45) **Date of Patent:** **\*\* Oct. 28, 2014**

(54) **RIDE ON VEHICLE**  
(71) Applicant: **Radio Flyer Inc.**, Chicago, IL (US)  
(72) Inventors: **Todd Herlitz**, Glenview, IL (US);  
**Andrew Poskie**, Plymouth, MI (US)  
(73) Assignee: **Radio Flyer Inc.**, Chicago, IL (US)  
(\*\*) Term: **14 Years**

3,663,038 A 5/1972 Hendricks  
D230,755 S 3/1974 Brightbill  
4,076,270 A 2/1978 Winchell  
4,087,106 A 5/1978 Winchell  
4,088,338 A 5/1978 Winchell et al.  
4,123,079 A 10/1978 Biskup  
4,165,093 A 8/1979 Biskup  
4,200,304 A 4/1980 Hwang  
4,281,844 A 8/1981 Jackman et al.  
4,540,192 A 9/1985 Shelton

(Continued)

(21) Appl. No.: **29/469,375**  
(22) Filed: **Oct. 9, 2013**  
(51) **LOC (10) Cl.** ..... **21-01**  
(52) **U.S. Cl.**  
USPC ..... **D21/426**  
(58) **Field of Classification Search**  
CPC ..... A63G 13/00; A63G 13/06; A63G 13/10;  
A63G 15/00; A63G 15/02; A63G 15/04;  
B62B 7/00; B62B 7/002; B62B 7/004; B62B  
7/006; B62B 7/008; B62B 7/02; B62B 7/04;  
B62B 7/042; B62B 7/044; B62B 7/06;  
B62B 7/12; B62B 7/126; B62B 7/14; B62B  
7/142; B62B 7/145; B62B 7/147; B62B 9/00;  
B62B 9/28  
USPC ..... D21/419, 423, 424, 425, 426, 427, 428;  
280/87.01, 87.021, 218, 224, 225, 232,  
280/233, 242.1  
See application file for complete search history.

**OTHER PUBLICATIONS**

<<http://plasmacar.com/#page-2>>, PlasmaCar, Ride On Toy, dated at least as early as Jun. 25, 2012.

(Continued)

*Primary Examiner* — Cynthia M Chin  
(74) *Attorney, Agent, or Firm* — McDermott Will & Emery LLP

(57) **CLAIM**  
We claim the ornamental design for a ride on vehicle, as shown and described.

**DESCRIPTION**

FIG. 1 is a left rear perspective view of a ride on vehicle according to the new design.  
FIG. 2 is a right side view of the ride on vehicle shown in FIG. 1.  
FIG. 3 is a left side view of the ride on vehicle shown in FIG. 1.  
FIG. 4 is a rear view of the ride on vehicle shown in FIG. 1.  
FIG. 5 is a front view of the ride on vehicle shown in FIG. 1.  
FIG. 6 is a top plan view of the ride on vehicle shown in FIG. 1; and,  
FIG. 7 is a bottom plan view of the ride on vehicle shown in FIG. 1.

**1 Claim, 6 Drawing Sheets**

(56) **References Cited**

**U.S. PATENT DOCUMENTS**

210,435 A 12/1878 Root  
837,812 A 5/1908 Johnson  
1,652,284 A 12/1927 Madsen  
2,577,416 A 3/1949 Geisse  
D203,284 S \* 12/1965 Rockwell ..... D21/424  
D208,483 S 9/1967 Walklet



(56)

**References Cited**

U.S. PATENT DOCUMENTS

4,776,604	A	10/1988	Valdez et al.	
5,039,121	A	8/1991	Holter	
5,090,716	A	2/1992	Borden	
D437,364	S	2/2001	Jang	
D444,184	S	6/2001	Kettler	
6,250,656	B1	6/2001	Ibarra	
D448,430	S	9/2001	Wang	
6,467,781	B1	10/2002	Feng	
6,499,751	B1	12/2002	Beleski, Jr.	
D469,819	S	2/2003	Nicolle et al.	
6,561,534	B2	5/2003	Gu	
D481,423	S	10/2003	Nien	
6,719,310	B1	4/2004	Lin	
6,908,090	B2	6/2005	Chuang	
6,908,091	B2	6/2005	Chuang	
6,976,687	B2	12/2005	Beleski, Jr.	
7,007,962	B2	3/2006	Lai	
D569,448	S	5/2008	Sramek et al.	
D582,992	S	12/2008	Alais	
7,597,334	B2	10/2009	Chen	
7,681,895	B2	3/2010	Chen	
7,926,825	B2	4/2011	Chen	
D654,542	S	2/2012	Chiu et al.	
8,128,109	B2	3/2012	Chen	
D706,876	S *	6/2014	Grout ..... D21/426	

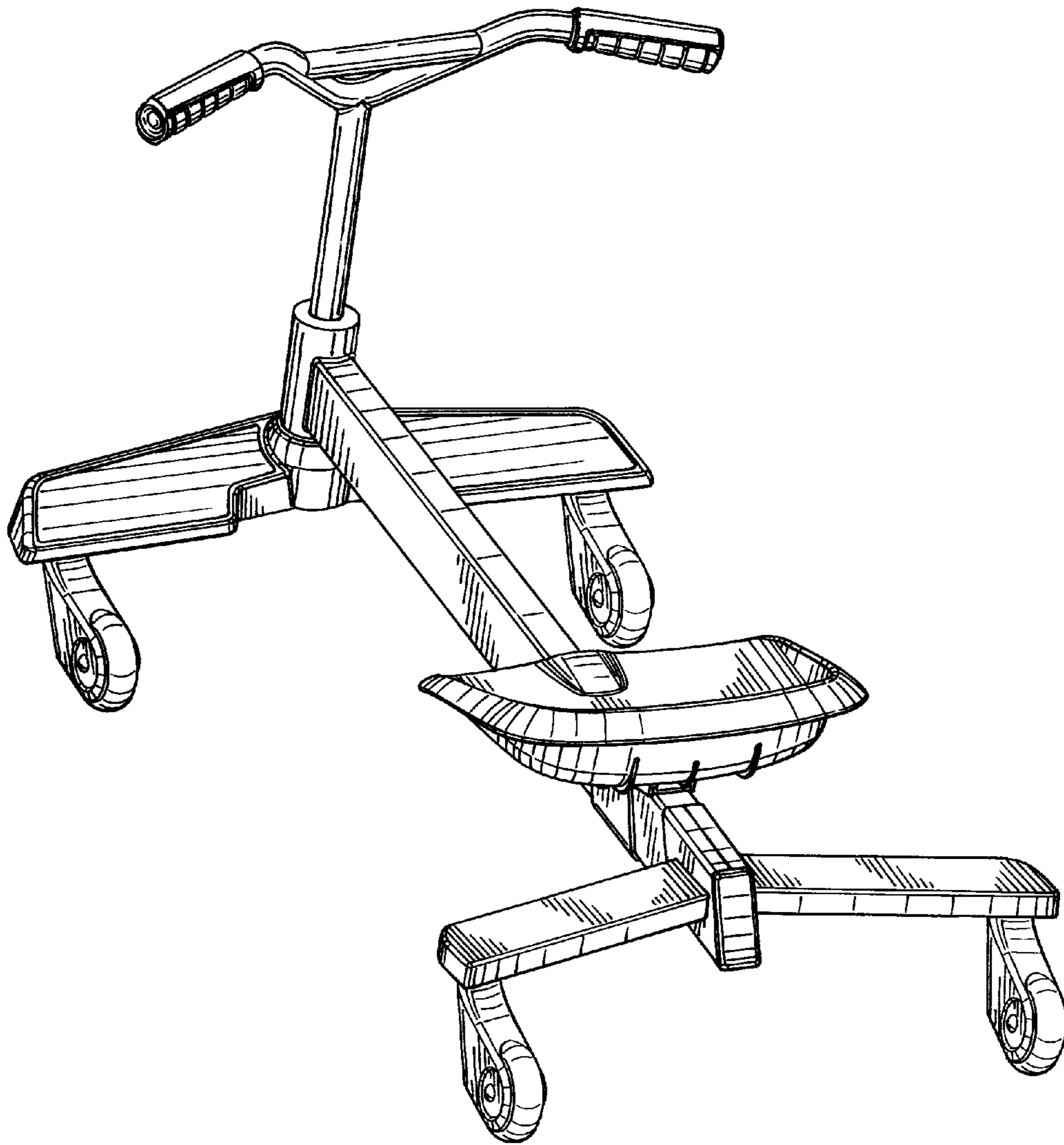
2001/0040352	A1	11/2001	Wang et al.
2004/0032105	A1	2/2004	Tsai
2007/0114743	A1	5/2007	Chen
2008/0029985	A1	2/2008	Chen
2010/0117316	A1	5/2010	Weiner et al.
2011/0018215	A1	1/2011	Kristiansen
2011/0227305	A1	9/2011	Chen
2011/0241302	A1	10/2011	Lovley, II et al.
2012/0080860	A1	4/2012	Park

OTHER PUBLICATIONS

<<http://masoncorporation.com/shop/flying-turtle-merch/>>, Flying Turtle Scooter, Ride On Toy, dated at least as early as Jun. 25, 2012.  
 <<http://yvolution.com/products/31-Y-Fliker-A3-Red.html>>, Y Volu-tion Flicker, Ride On Toy, dated at least as early as Jun. 25, 2012.  
 <<http://www.pulsescooters.com/categories/1-products/16-series-kick/>>, Pulse Slither, Scooter, dated at least as early as Jun. 25, 2012.  
 <<http://www.razor.com/products/ripstik/>>, Razor Ripstik, Ride On Toy, dated at least as early as Jun. 25, 2012.  
 <<http://www.razor.com/products/caster-driven/siege/>>, Razor Siege, Scooter, dated at least as early as Jun. 25, 2012.  
 <<http://www.razor.com/products/caster-driven/powerwing/>>, Razor Powerwing, Ride On Toy, dated at least as early as Jun. 25, 2012.  
 Owner's Manual, "Razor RipRider 360° Caster Trike," Ride On Toy, dated at least as early as Jun. 25, 2012.

\* cited by examiner

*FIG. 1*



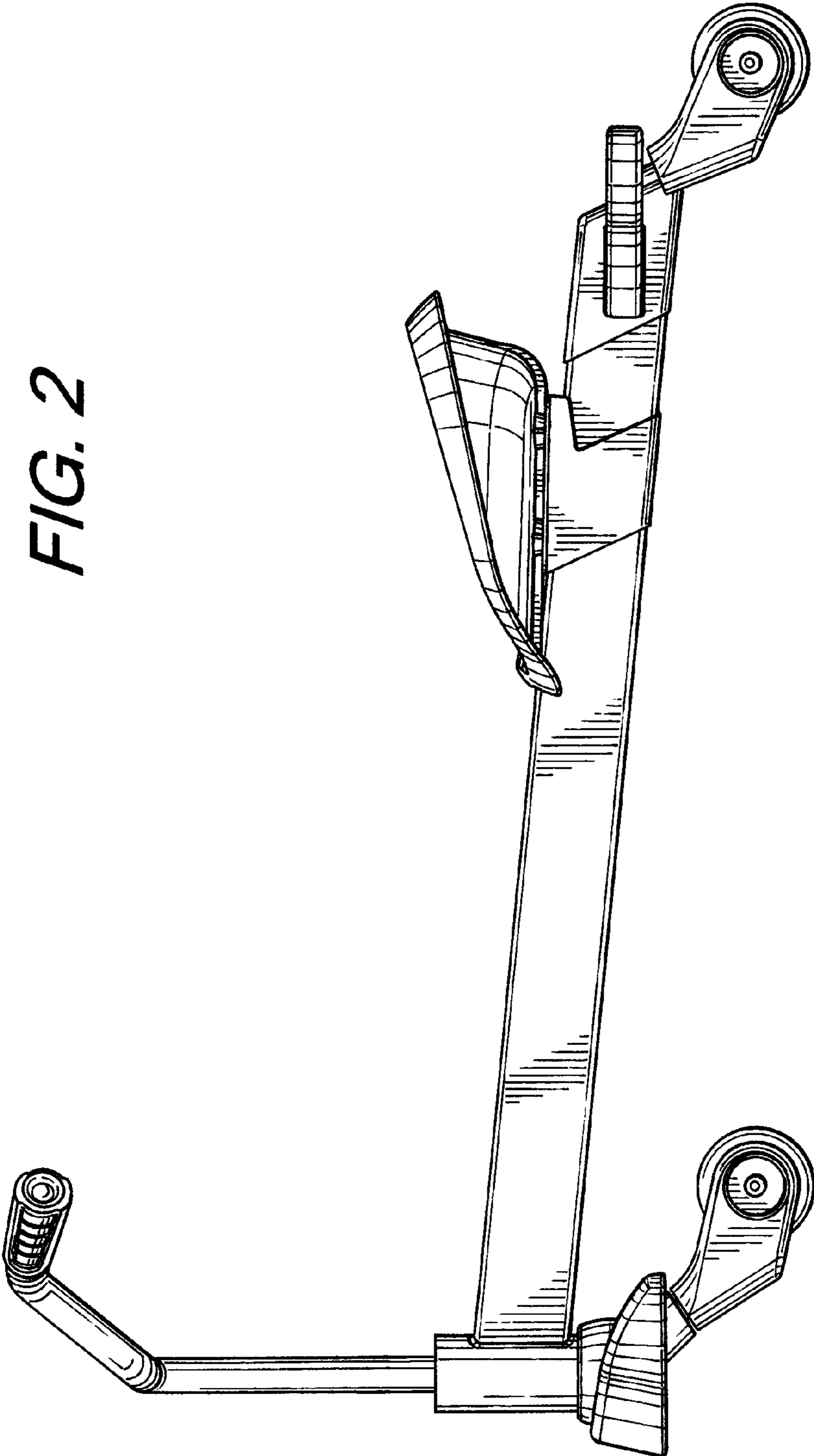
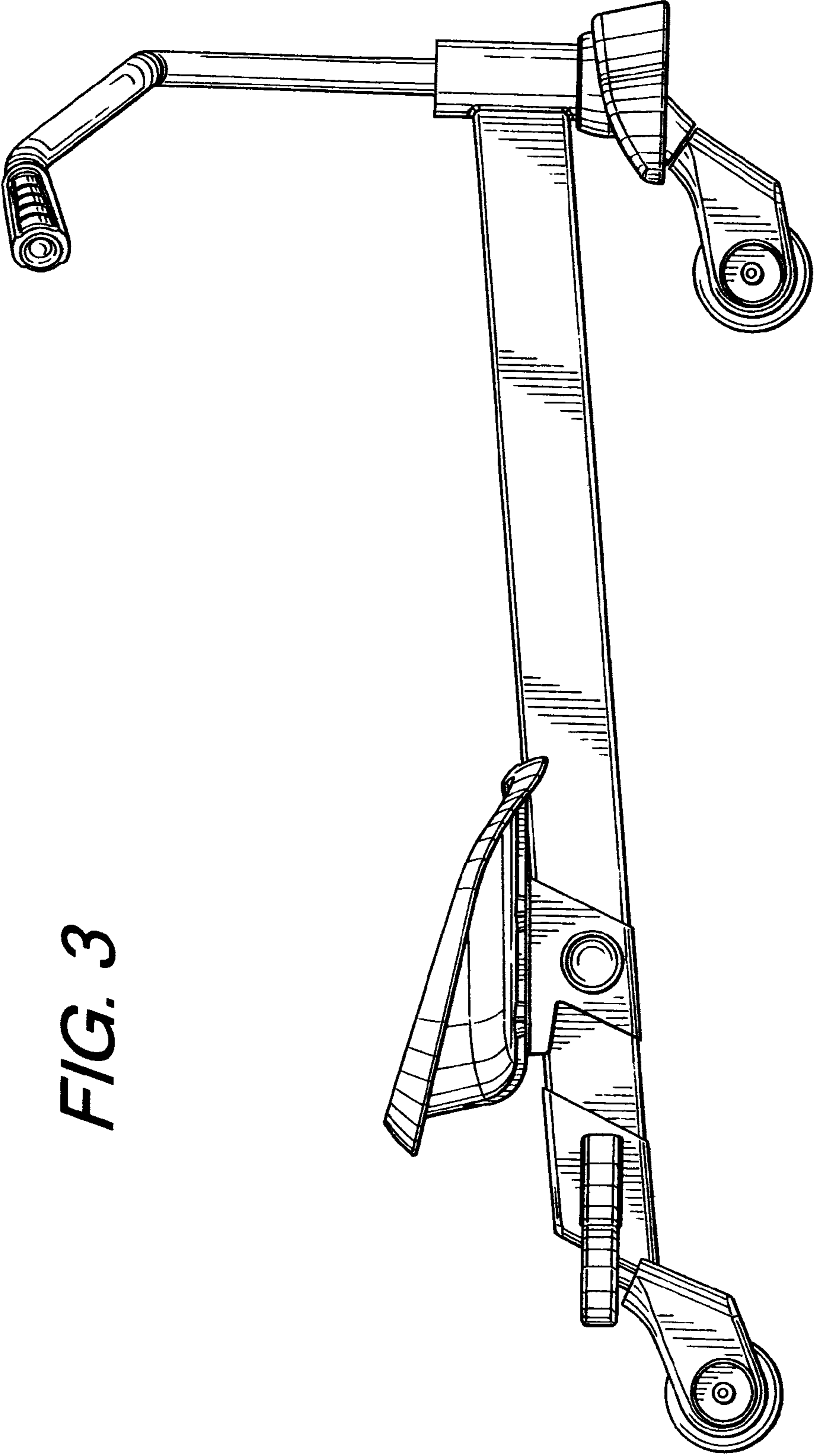


FIG. 2



*FIG. 3*

FIG. 5

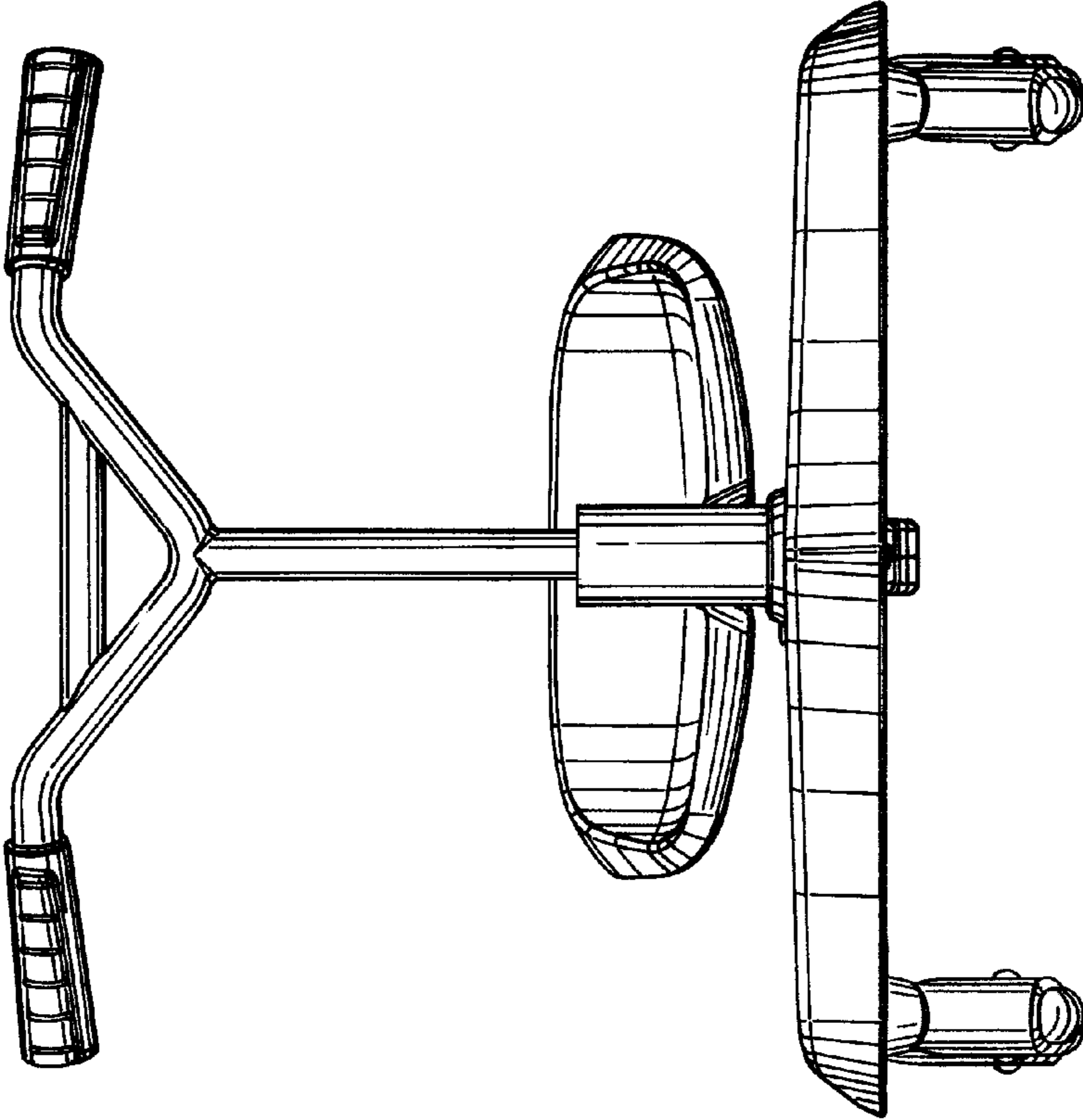
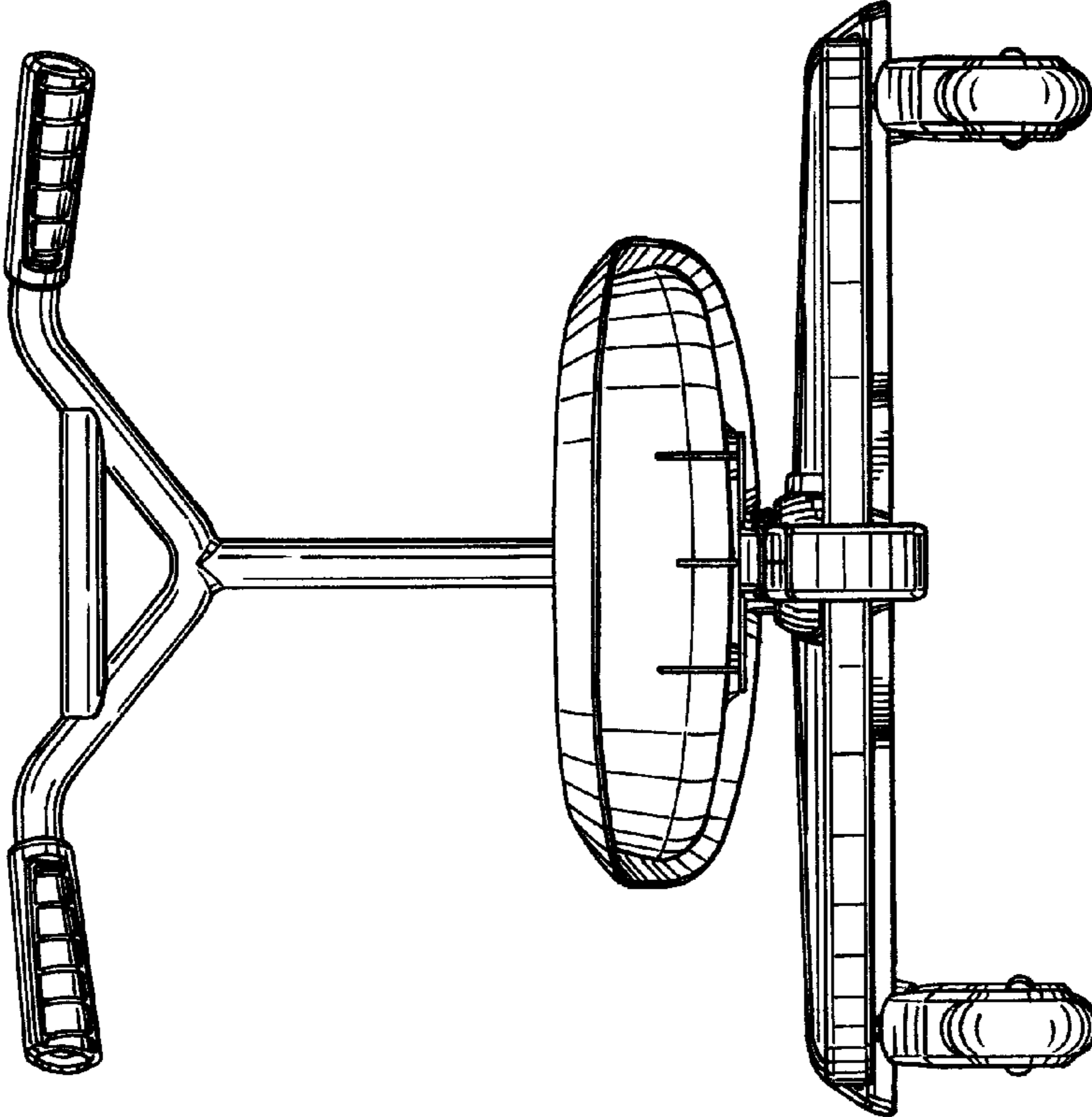
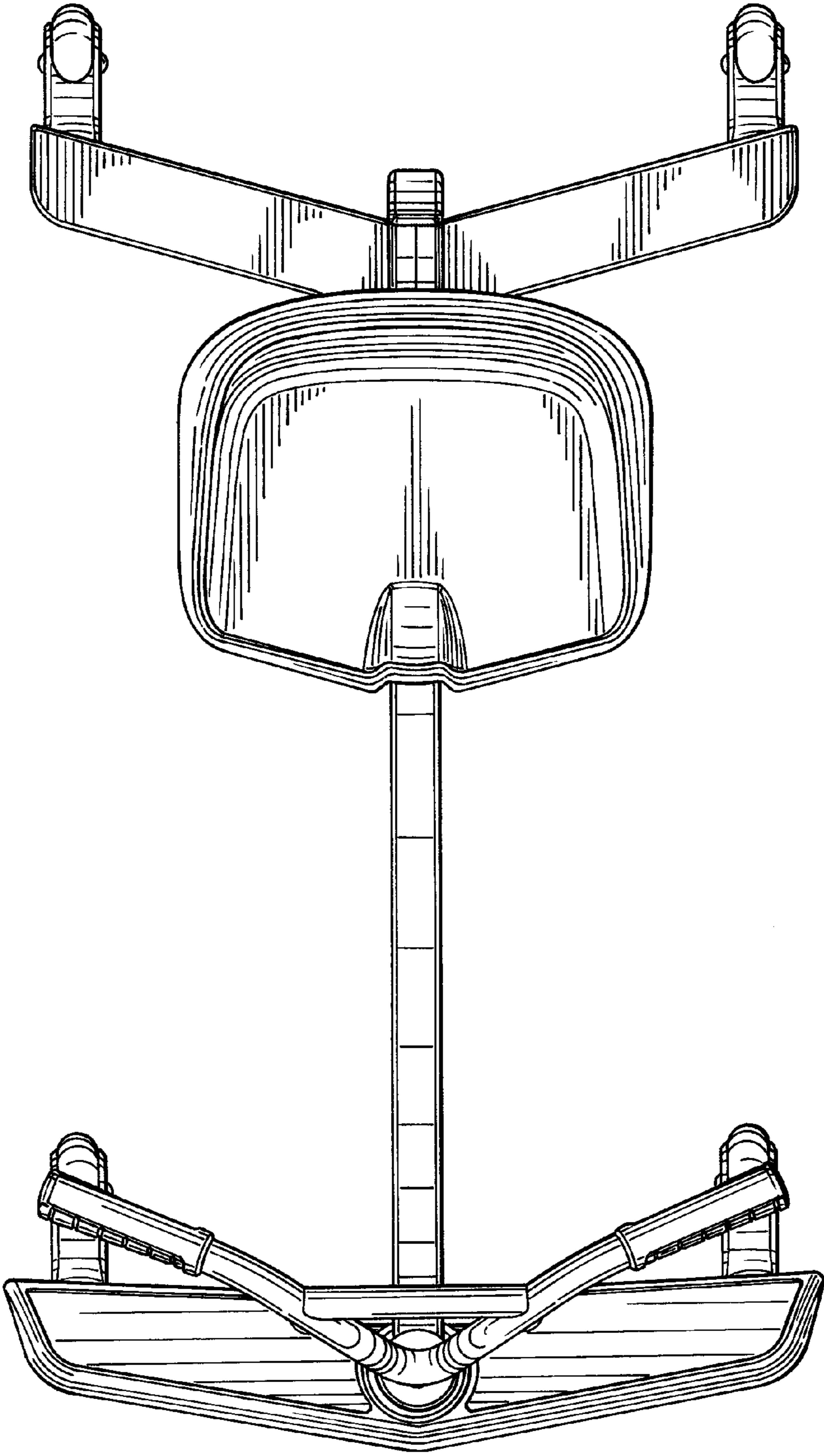


FIG. 4





*FIG. 6*

FIG. 7

