



US00D716378S

(12) **United States Design Patent**  
**Martin**

(10) **Patent No.:** **US D716,378 S**  
(45) **Date of Patent:** **\*\* Oct. 28, 2014**

(54) **BALLPOINT PEN**

(71) Applicant: **S. T Dupont**, Paris (FR)

(72) Inventor: **Stephane Martin**, Paris (FR)

(73) Assignee: **S. T Dupont**, Paris (FR)

(\*\*) Term: **14 Years**

(21) Appl. No.: **29/439,528**

(22) Filed: **Dec. 12, 2012**

(30) **Foreign Application Priority Data**

Nov. 22, 2012 (EM) ..... 002141101-0001

(51) **LOC (10) Cl.** ..... **19-06**

(52) **U.S. Cl.**  
USPC ..... **D19/170**; D19/913; D19/929

(58) **Field of Classification Search**  
USPC ..... D14/411; D19/35, 36, 41-51, 53-58;  
24/11 R, 11 F, 11 P; 401/52, 99-109,  
401/192, 195, 196  
See application file for complete search history.

(56) **References Cited**

**U.S. PATENT DOCUMENTS**

D96,022 S *	6/1935	Cuthbert	.....	D19/51
D191,998 S *	12/1961	Doman	.....	D19/49
D202,395 S *	9/1965	Lamb	.....	D19/45
D215,042 S *	8/1969	Spirito	.....	D19/51
D238,358 S *	1/1976	Itoh	.....	D19/41
D261,901 S *	11/1981	Coffman	.....	D19/54

4,717,275 A *	1/1988	Burkhardt, Jr.	.....	401/104
D323,350 S *	1/1992	Johansson	.....	D19/49
D379,473 S *	5/1997	DeLorenzo et al.	.....	D19/55
D416,042 S *	11/1999	Burkhardt, Jr.	.....	D19/51
D452,708 S *	1/2002	Schmidt et al.	.....	D19/49
D475,086 S *	5/2003	Kent et al.	.....	D19/49
D564,586 S *	3/2008	Kwok	.....	D19/50
D589,559 S *	3/2009	Slemp	.....	D19/51
D630,219 S *	1/2011	Fujino et al.	.....	D14/411
D647,966 S *	11/2011	Koch	.....	D19/51
8,366,338 B2 *	2/2013	Underwood et al.	.....	401/195
8,414,210 B2 *	4/2013	Silverbrook et al.	.....	401/195
D685,849 S *	7/2013	Hern et al.	.....	D19/50
D685,850 S *	7/2013	Hern et al.	.....	D19/50
D690,359 S *	9/2013	Mao	.....	D19/51

\* cited by examiner

*Primary Examiner* — Elizabeth Albert

(74) *Attorney, Agent, or Firm* — Sofer & Haroun, LLP

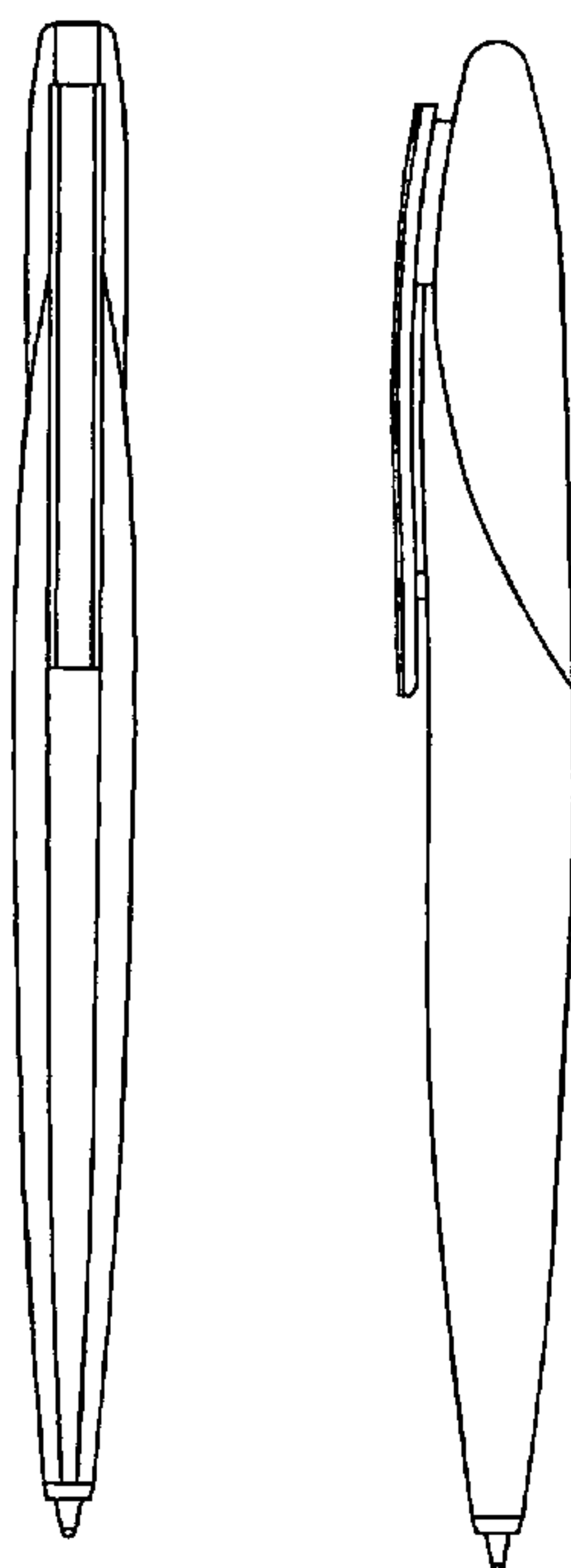
(57) **CLAIM**

I claim the ornamental design for a ballpoint pen, as shown and described.

**DESCRIPTION**

FIG. 1 is a perspective view of the ballpoint pen; FIG. 2 is a front face elevation of the ballpoint pen; FIG. 3 is a left side elevation of the ballpoint pen; FIG. 4 is a right side elevation of the ballpoint pen; FIG. 5 is an enlarged top view of the ballpoint pen; and, FIG. 6 is an enlarged bottom view of the ballpoint pen. The features in broken lines in FIG. 5 are included for the purpose of showing portions that form no part of the claimed design.

**1 Claim, 6 Drawing Sheets**



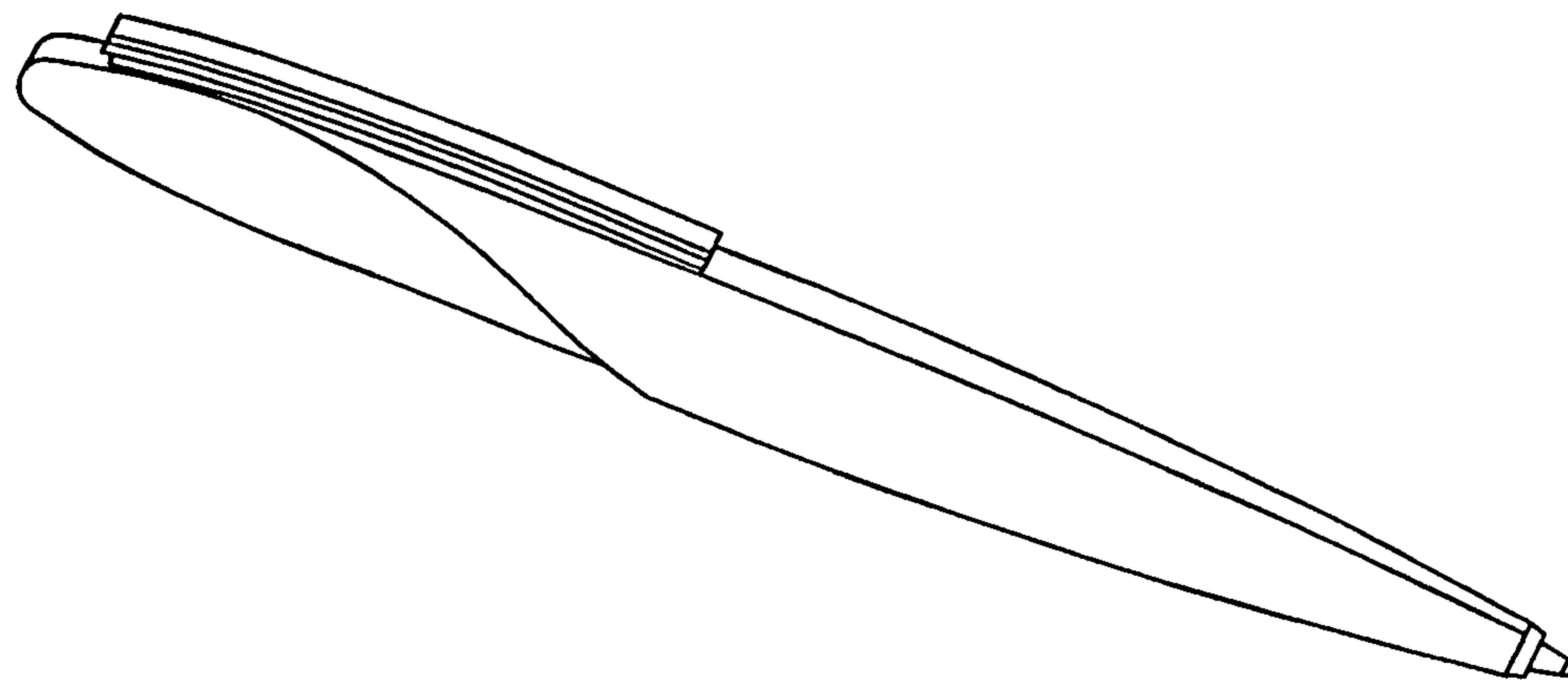


FIG. 1

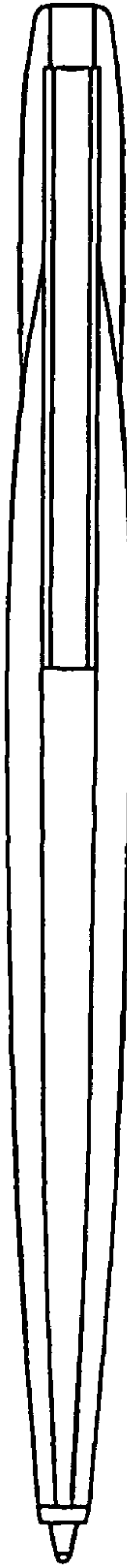


FIG. 2



FIG. 3

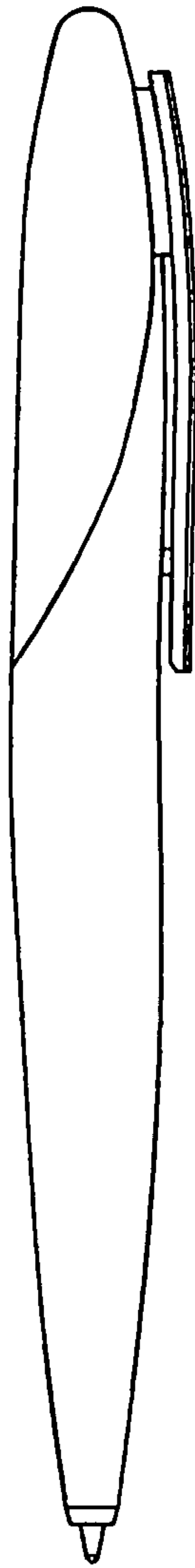


FIG. 4

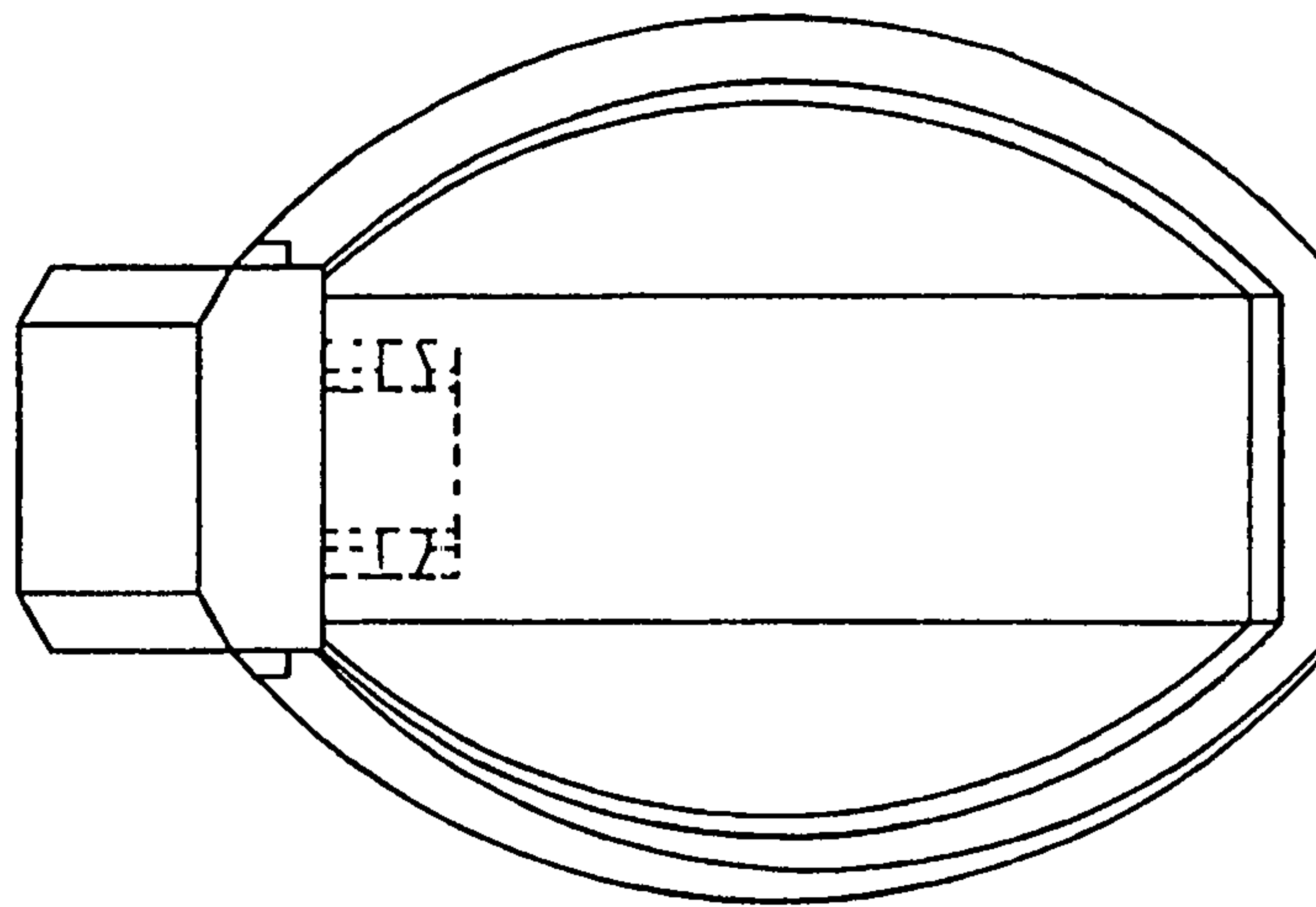


FIG. 5

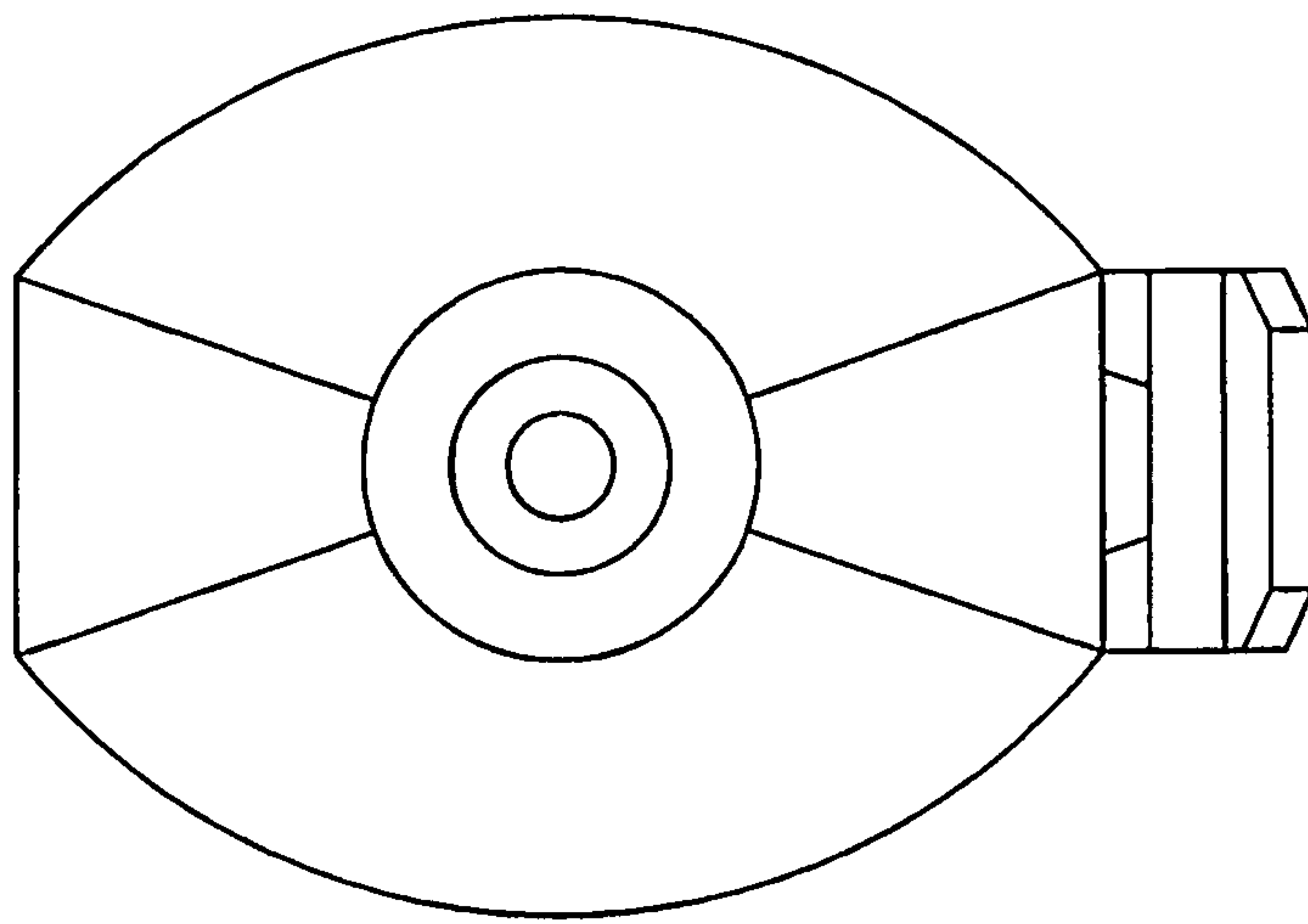


FIG. 6