



US00D716373S

(12) **United States Design Patent**  
**Lo et al.**

(10) **Patent No.:** **US D716,373 S**  
(45) **Date of Patent:** **\*\* \*Oct. 28, 2014**

(54) **IMAGING DEVICE**

(71) Applicant: **Hewlett-Packard Development Company, L.P.**, Houston, TX (US)

(72) Inventors: **Kevin Lo**, Vancouver, WA (US); **Dan R. Dwyer**, Vancouver, WA (US); **Mark M. Proia**, Vancouver, WA (US); **Stephen G. Brown**, Vancouver, WA (US); **Wesley R. Schalk**, Vancouver, WA (US); **David M. Wetchler**, Vancouver, WA (US)

(73) Assignee: **Hewlett-Packard Development Company, L.P.**, Houston, TX (US)

(\*) Notice: This patent is subject to a terminal disclaimer.

(\*\*) Term: **14 Years**

(21) Appl. No.: **29/433,068**

(22) Filed: **Sep. 25, 2012**

(51) **LOC (10) Cl.** ..... **14-02**

(52) **U.S. Cl.**  
USPC ..... **D18/55**

(58) **Field of Classification Search**  
USPC ..... D18/14, 19, 36-38, 50, 53, 54, 54.1, 55, D18/59; D14/420-425, 462-470; 400/613, 400/613.1-613.4, 690.1-690.4, 691-694  
See application file for complete search history.

(56) **References Cited**

**U.S. PATENT DOCUMENTS**

D645,897 S *	9/2011	Chuang et al.	.....	D18/50
D664,192 S *	7/2012	Emmenegger et al.	.....	D18/50
D664,193 S *	7/2012	Larson et al.	.....	D18/55
D666,239 S *	8/2012	Larson et al.	.....	D18/55

**OTHER PUBLICATIONS**

One photograph of Brother MFC 9400, 9500 and 9900 series, found at <http://www.brother-usa.com/MFC/ModelDetail/4/MFC9460CDN/Overview#.UTokPVe7Exl>. The Brother printer was on sale in the U.S. more than one-year prior to the filing date of the subject application, that is, at least as early as Sep. 1, 2011. One (1) page.

One photograph of Lexmark 700 Series (no longer being produced), found at <http://blog.databazaar.com/2011/12/the-lexmark-prevail-pro-705-wireless-multifunction-ink>. The Lexmark printer was on sale in the U.S. more than one-year prior to the filing date of the subject application, that is, at least as early as Sep. 1, 2011. One (1) page.

\* cited by examiner

*Primary Examiner* — Cathy A MacCormac

(57) **CLAIM**

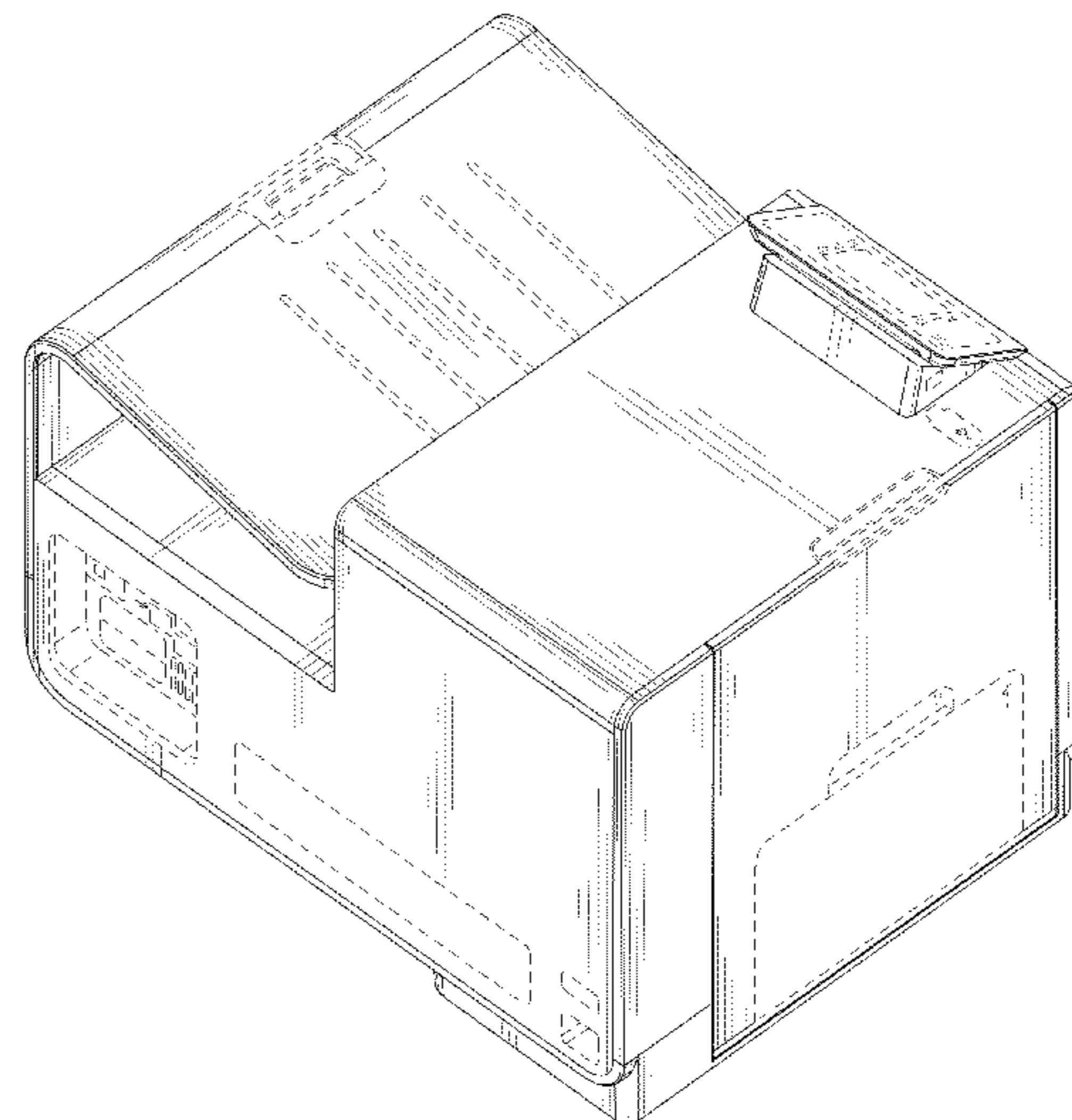
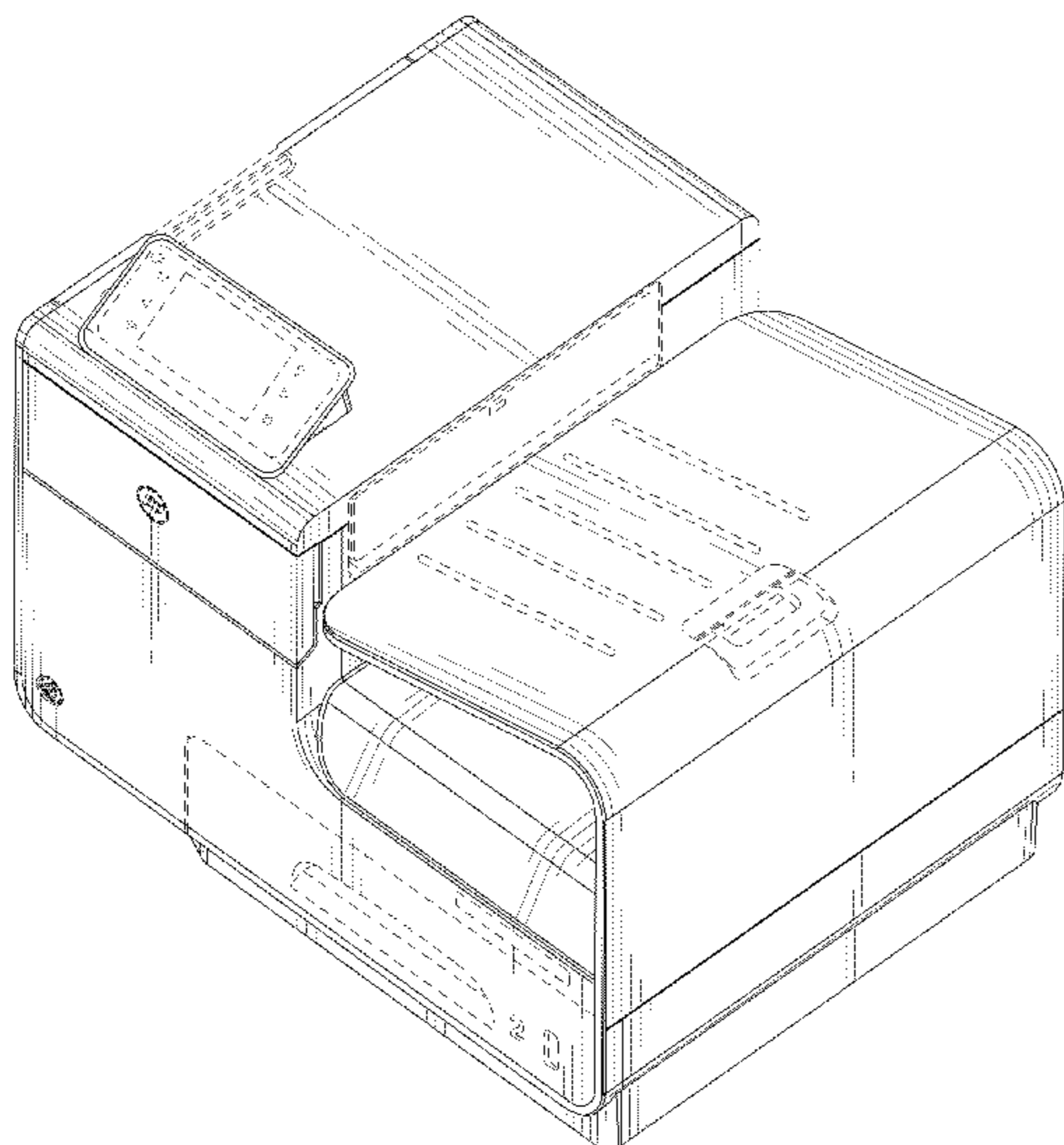
The ornamental design for an imaging device, as shown and described herein.

**DESCRIPTION**

FIG. 1 is a top front and right side perspective view of an imaging device;  
FIG. 2 is a top front and left side perspective view thereof;  
FIG. 3 is a top rear and right side perspective view thereof;  
FIG. 4 is a top rear and left side perspective view thereof;  
FIG. 5 front elevation view thereof;  
FIG. 6 is a rear elevation view thereof;  
FIG. 7 is a left side elevation view thereof;  
FIG. 8 is a right side elevation view thereof; and,  
FIG. 9 is a top plan view thereof.

The broken lines are for illustration only and form no part of the claimed design.

**1 Claim, 9 Drawing Sheets**



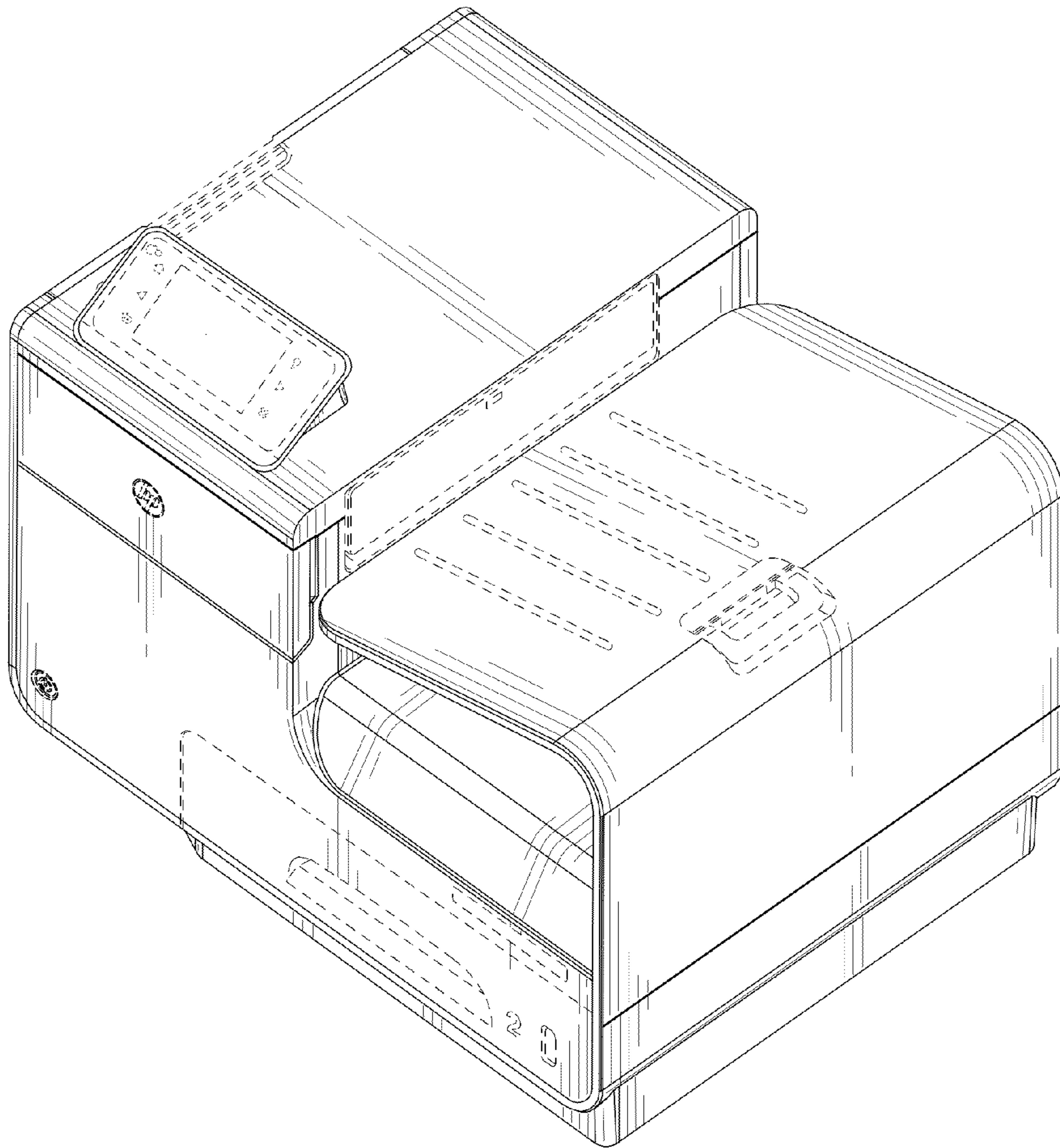


FIG. 1

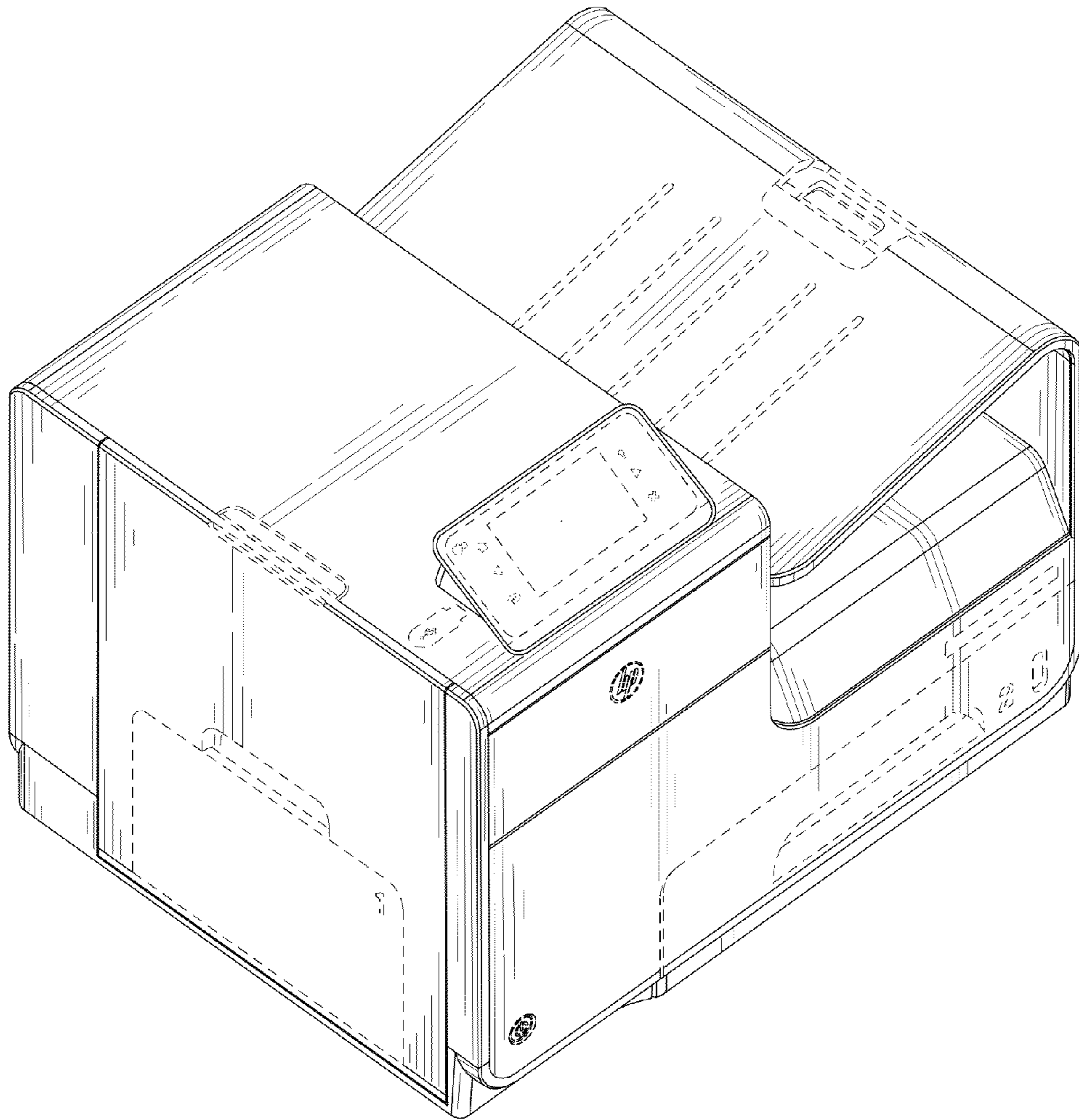


FIG. 2

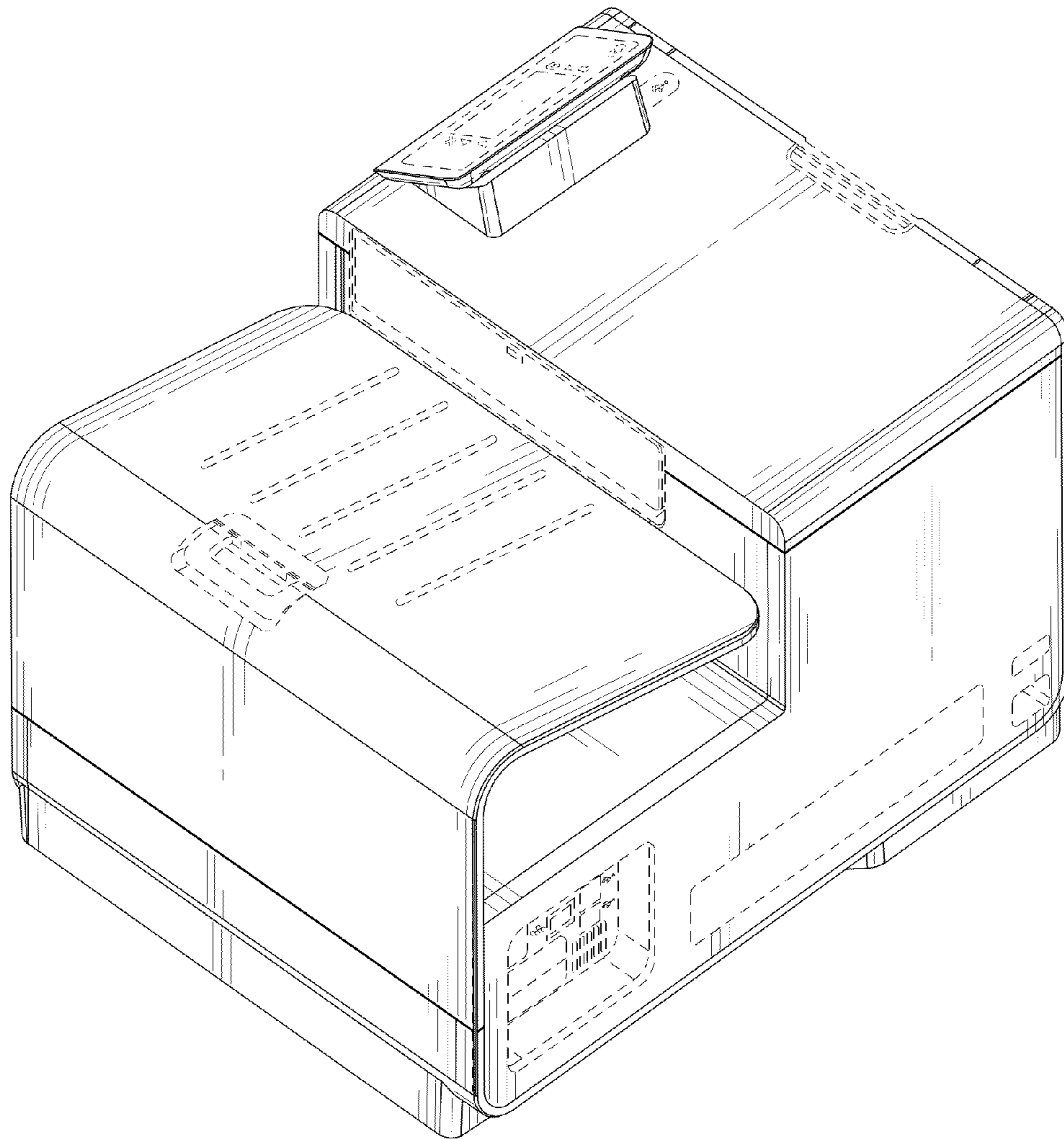


FIG. 3

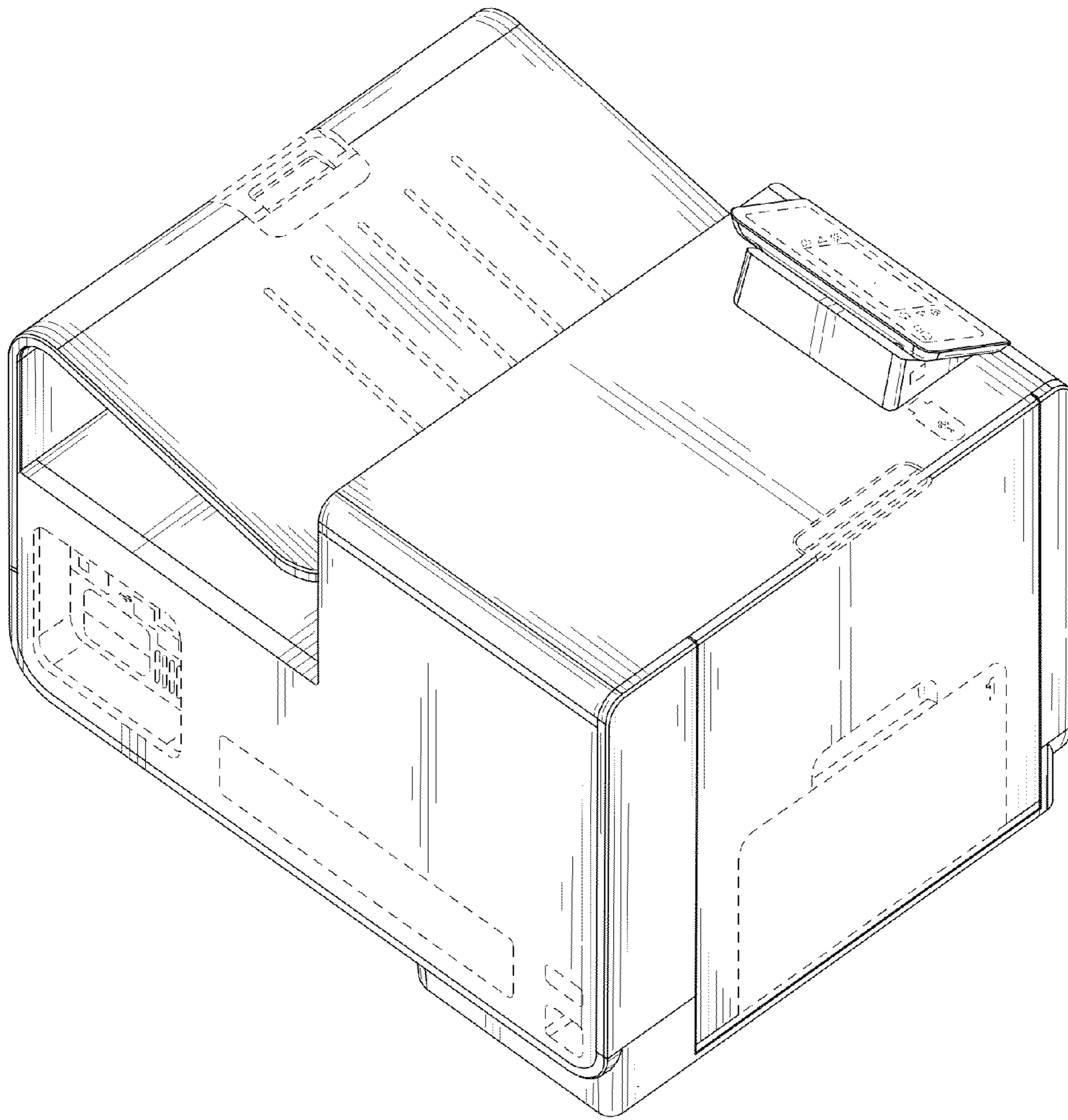


FIG. 4

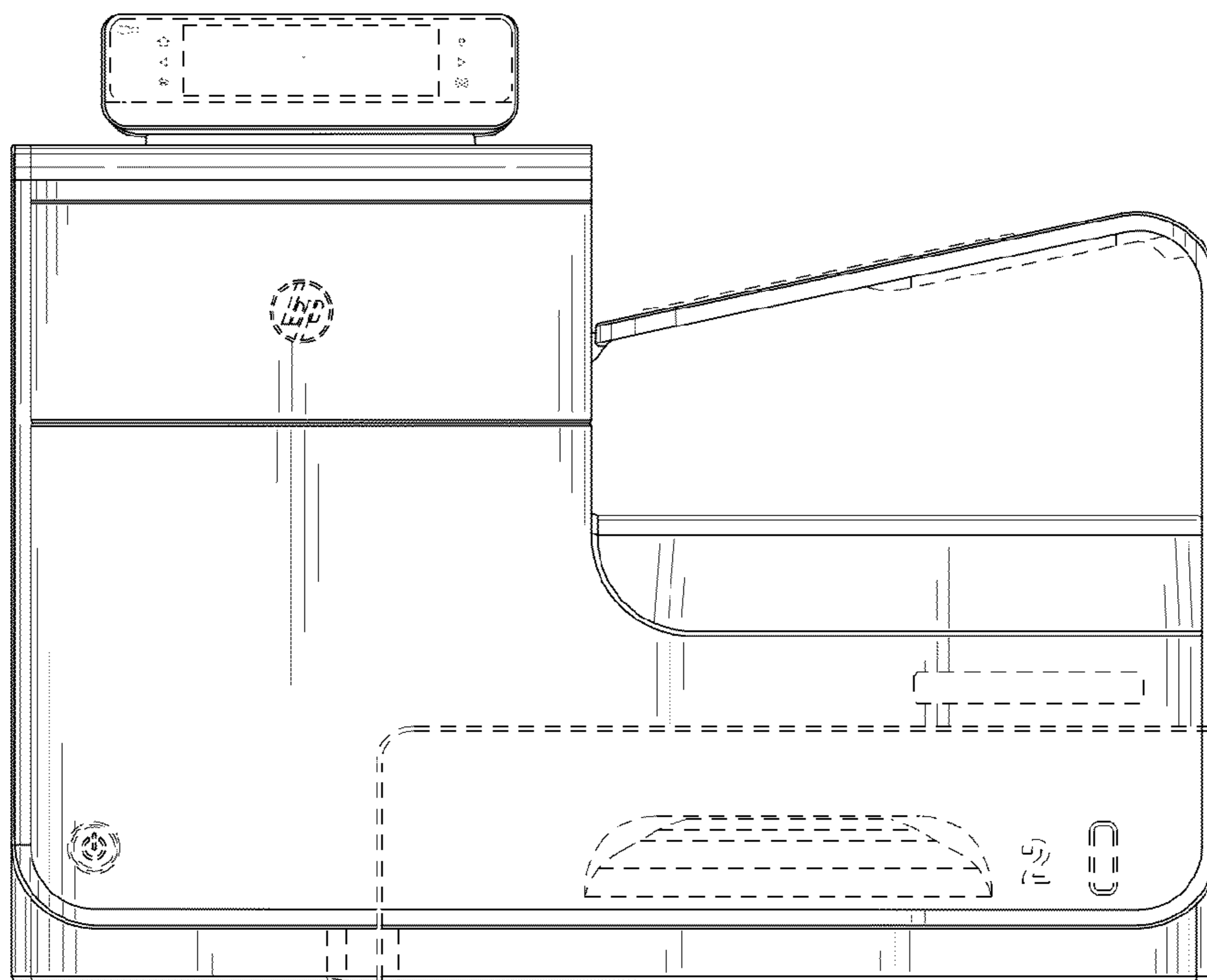


FIG. 5

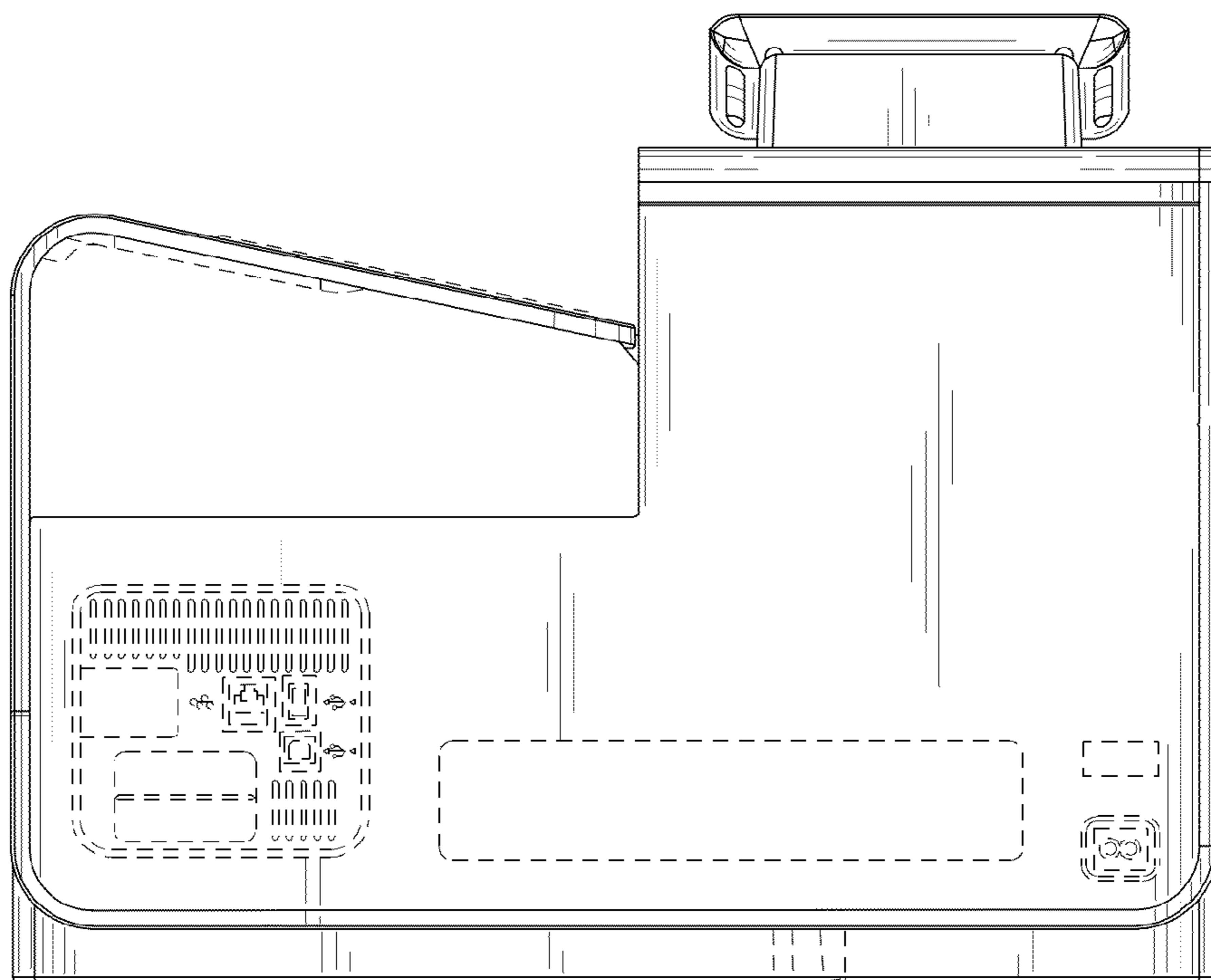


FIG. 6

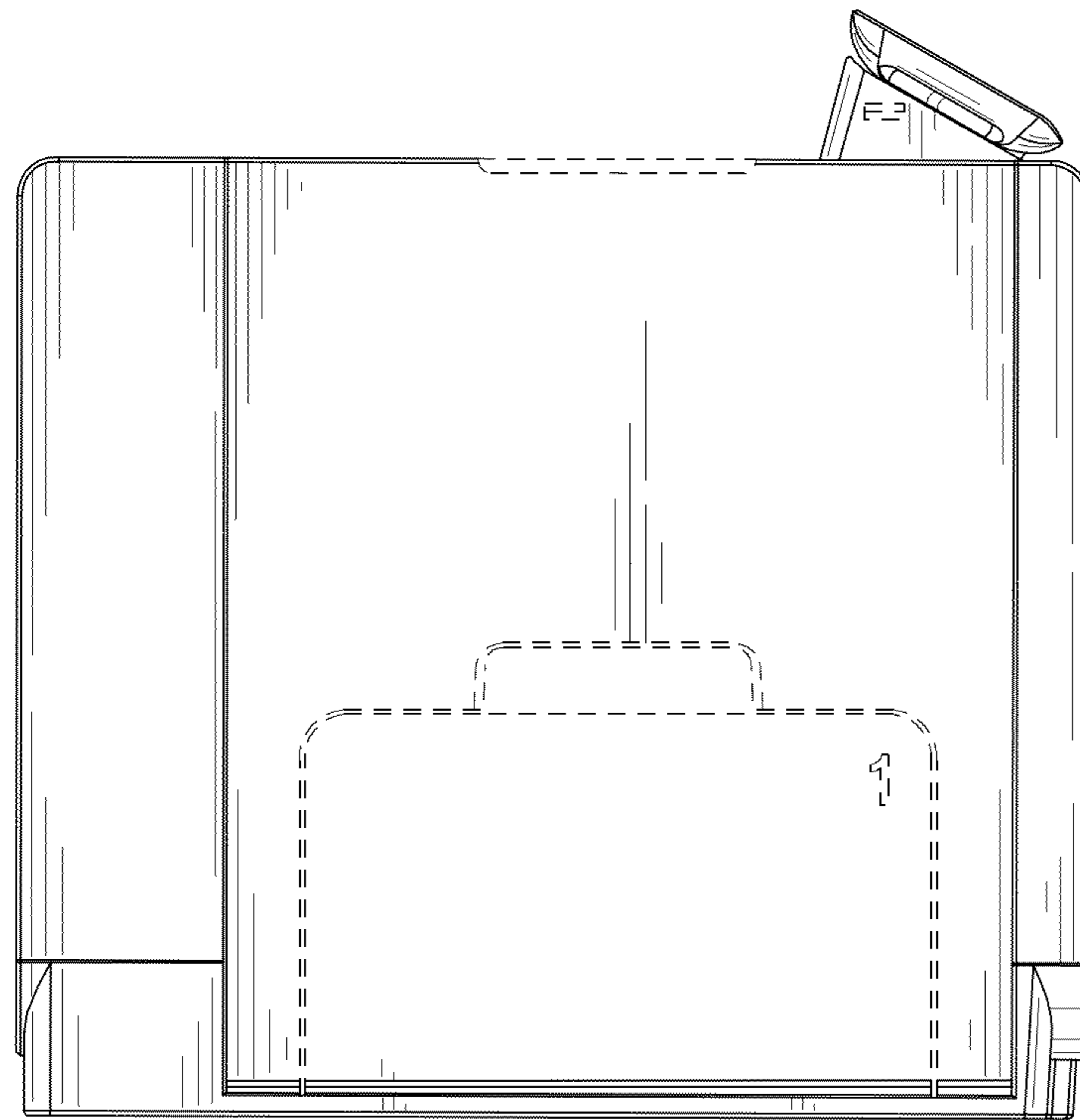


FIG. 7



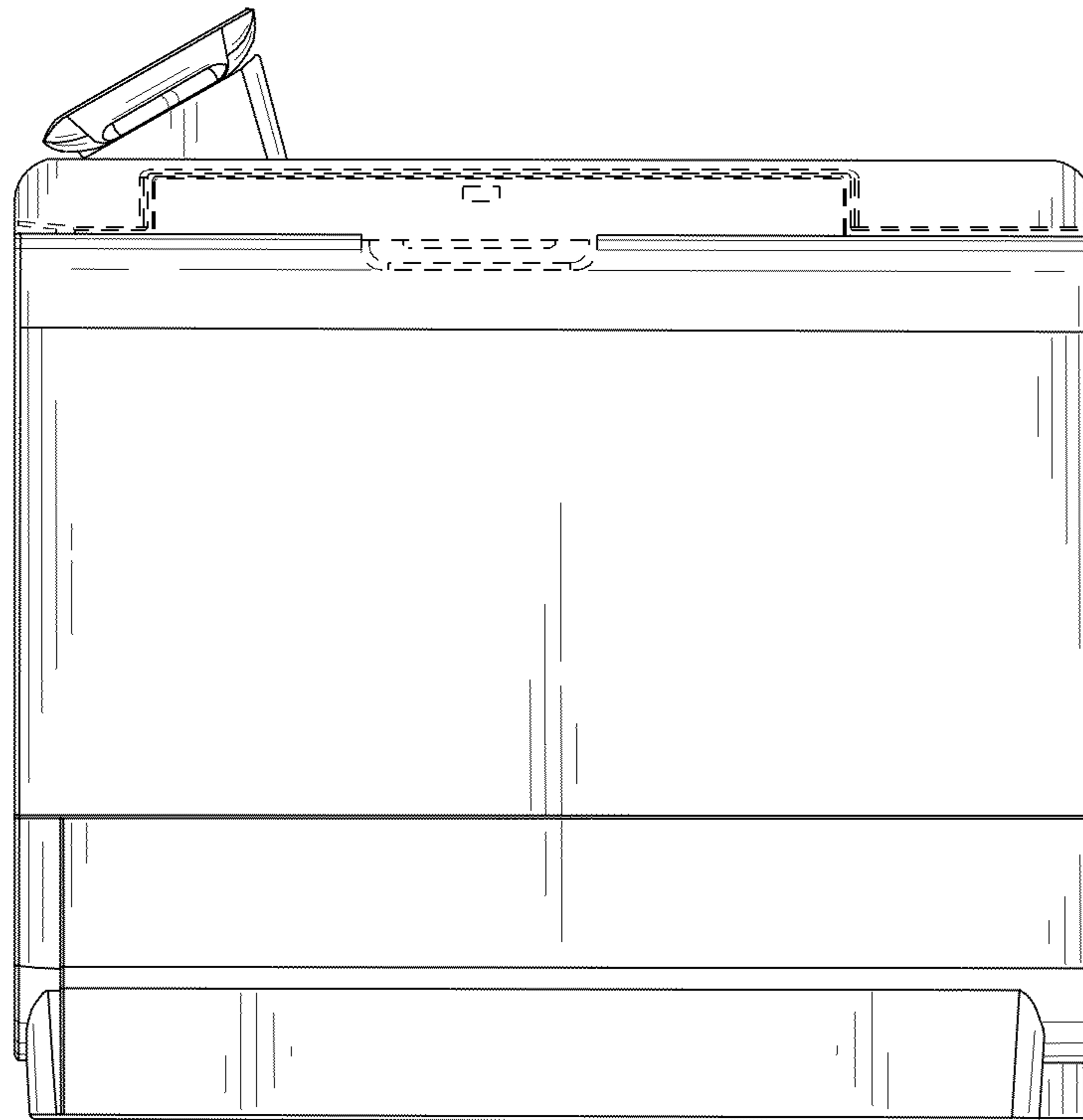


FIG. 8

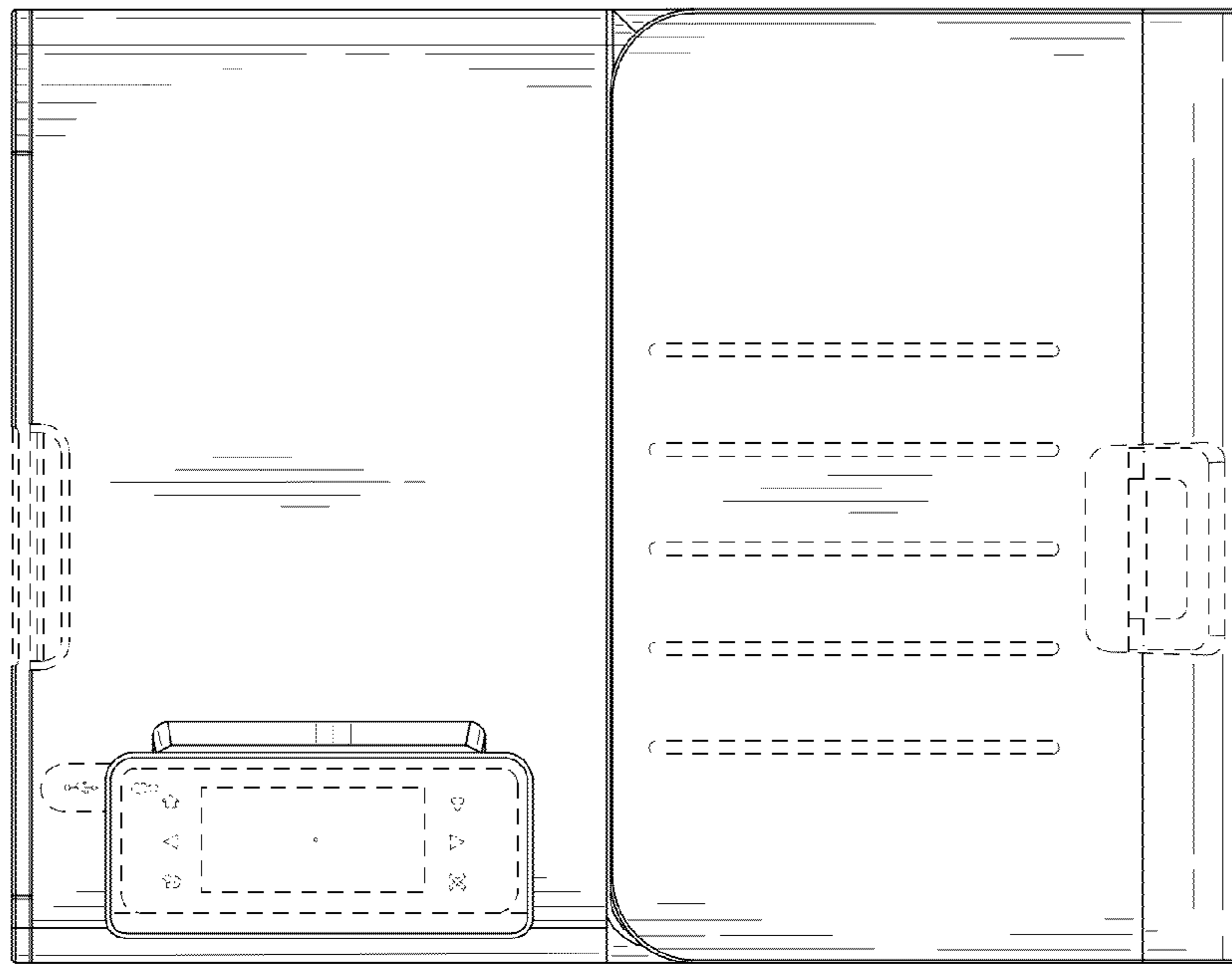


FIG. 9