



US00D716370S

(12) **United States Design Patent**  
**Park et al.**

(10) **Patent No.:** **US D716,370 S**  
(45) **Date of Patent:** **\*\* Oct. 28, 2014**

- (54) **CARD PAYMENT TERMINAL**
- (71) Applicant: **Bluebird Soft Inc.**, Seoul (KR)
- (72) Inventors: **Jung Sik Park**, Namyangju-si (KR); **Se Bin Park**, Seoul (KR); **Jang Won Lee**, Seoul (KR)
- (73) Assignee: **Bluebird Soft Inc.** (KR)
- (\*\*) Term: **14 Years**
- (21) Appl. No.: **29/440,489**
- (22) Filed: **Dec. 21, 2012**
- (30) **Foreign Application Priority Data**  
Jun. 22, 2012 (KR) ..... 30-2012-0030714
- (51) **LOC (10) Cl.** ..... **18-01**
- (52) **U.S. Cl.**  
USPC ..... **D18/4.6; D18/4.4**
- (58) **Field of Classification Search**  
CPC ..... G07G 1/0027; G07G 1/12; G07G 1/0018;  
G06C 7/10  
USPC ..... D14/336, 371-376, 387, 341-347;  
D18/3.1-3.3, 4.1-4.6, 6-8, 11, 12,  
D18/12.1-12.3; D21/324, 325, 332;  
D99/28, 34-36, 43; 235/1 E, 7 R, 12,  
235/22, 33, 51, 52, 2; 705/12, 15-18, 43  
See application file for complete search history.

D570,402 S *	6/2008	Henry	.....	D18/4.6
7,591,430 B2 *	9/2009	Talach et al.	.....	235/472.01
D638,465 S *	5/2011	Goldin	.....	D18/4.6
D642,609 S *	8/2011	Goldin	.....	D18/4.4
D658,174 S *	4/2012	Tasselli et al.	.....	D14/347
D677,663 S *	3/2013	Minafo et al.	.....	D14/429

**FOREIGN PATENT DOCUMENTS**

EM	001371835-0001	*	5/2013
JP	D1475673	*	6/2013
KR	300678955.0001	*	2/2013
KR	300680469.0000	*	2/2013

\* cited by examiner

*Primary Examiner* — Cathron Brooks  
*Assistant Examiner* — Ethiene Salgado-Rodriguez  
(74) *Attorney, Agent, or Firm* — Cantor Colburn LLP

(57) **CLAIM**  
The ornamental design for a card payment terminal, as shown and described.

**DESCRIPTION**

FIG. 1 is a front, right and bottom side perspective view of a card payment terminal showing our new design;  
FIG. 2 is a front, left and bottom side perspective view thereof;  
FIG. 3 is a front elevational view thereof;  
FIG. 4 is a rear elevational view thereof;  
FIG. 5 is a left side elevational view thereof;  
FIG. 6 is a right side elevational view thereof;  
FIG. 7 is a top plan view thereof; and,  
FIG. 8 is a bottom plan view thereof.  
The broken line showing of power and network symbols are included for the purpose of illustrating portions of the card payment terminal that form no part of the claimed design. "Pidion" forming part of the claimed design is a registered trademark of BLUEBIRD INC of Seoul, Republic of Korea.

**1 Claim, 8 Drawing Sheets**

- (56) **References Cited**  
**U.S. PATENT DOCUMENTS**  
D313,224 S \* 12/1990 Yokoi et al. .... D14/346  
D486,826 S \* 2/2004 Janez et al. .... D14/387  
D529,943 S \* 10/2006 Chiu et al. .... D18/4.4  
D554,694 S \* 11/2007 Slinckx ..... D18/4.4

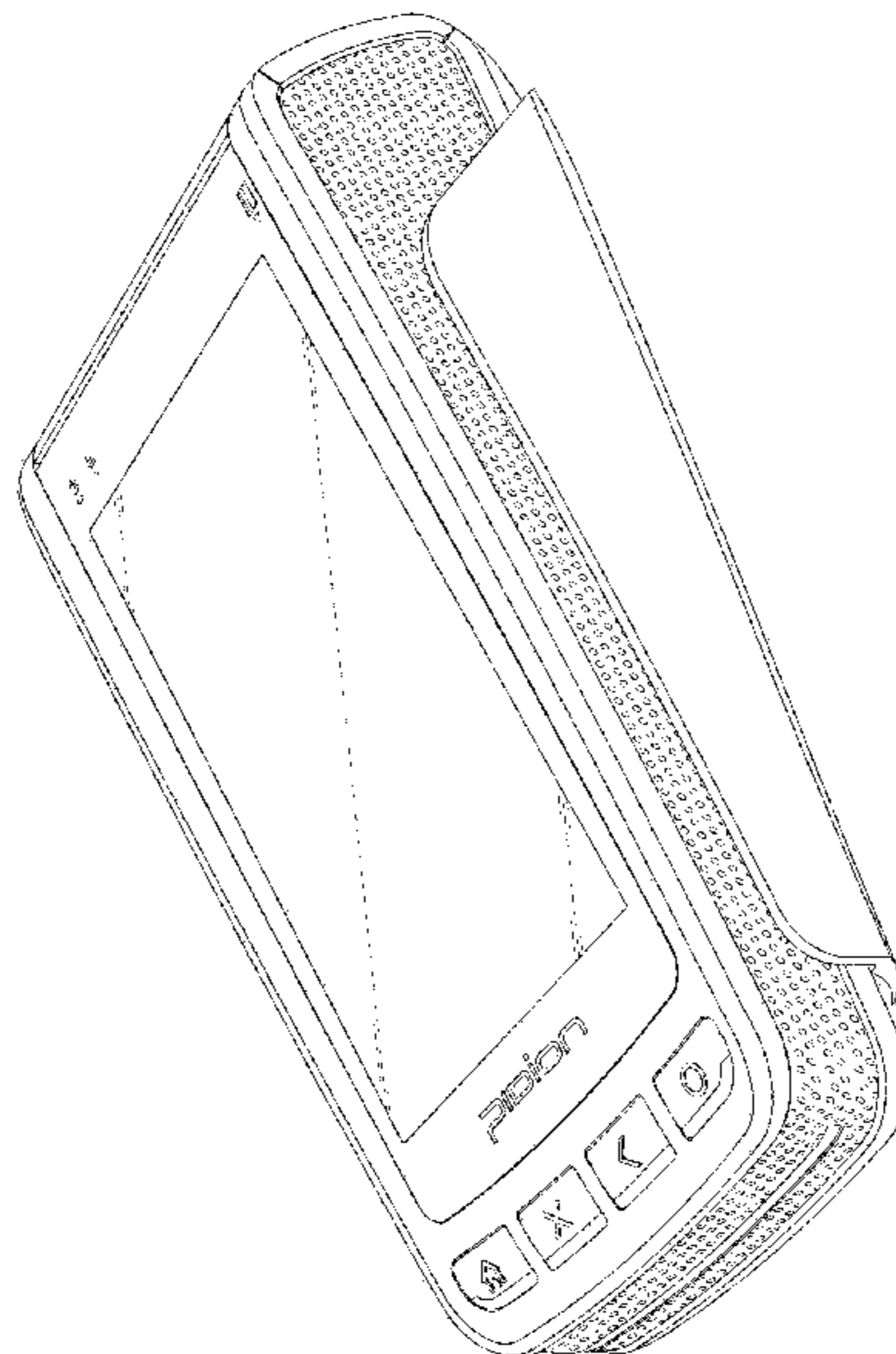


Fig. 1

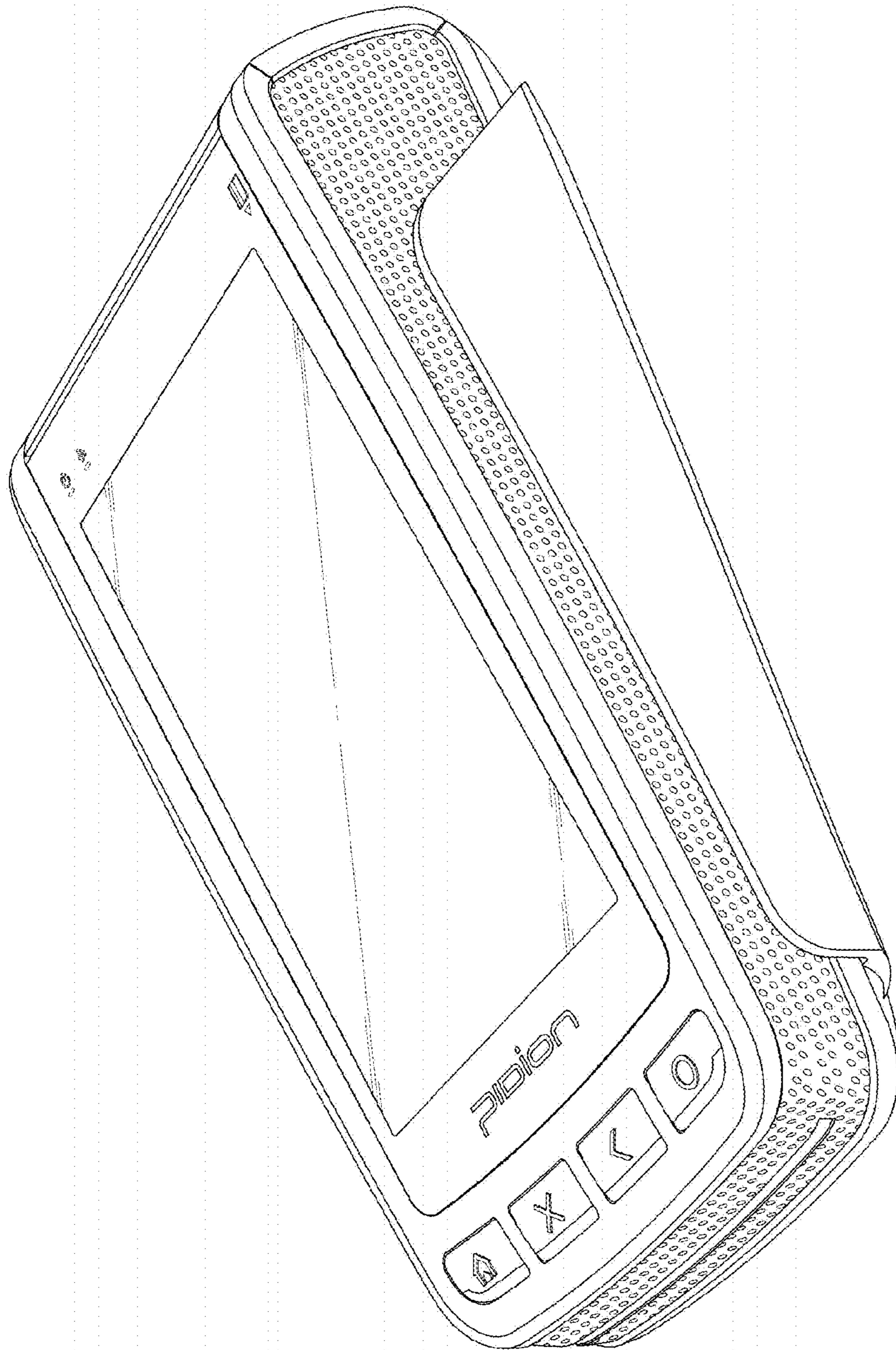




Fig. 2

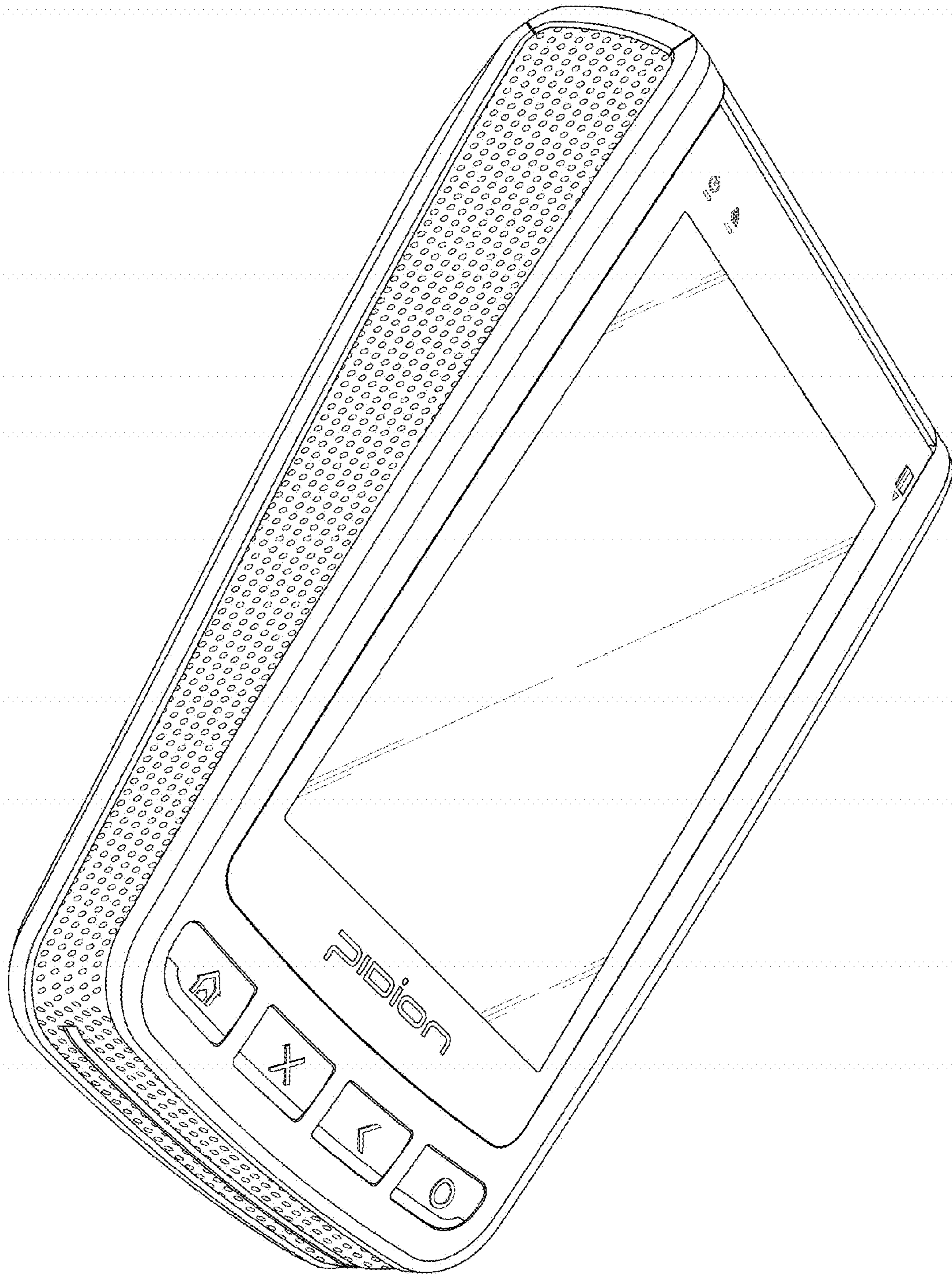


Fig. 3

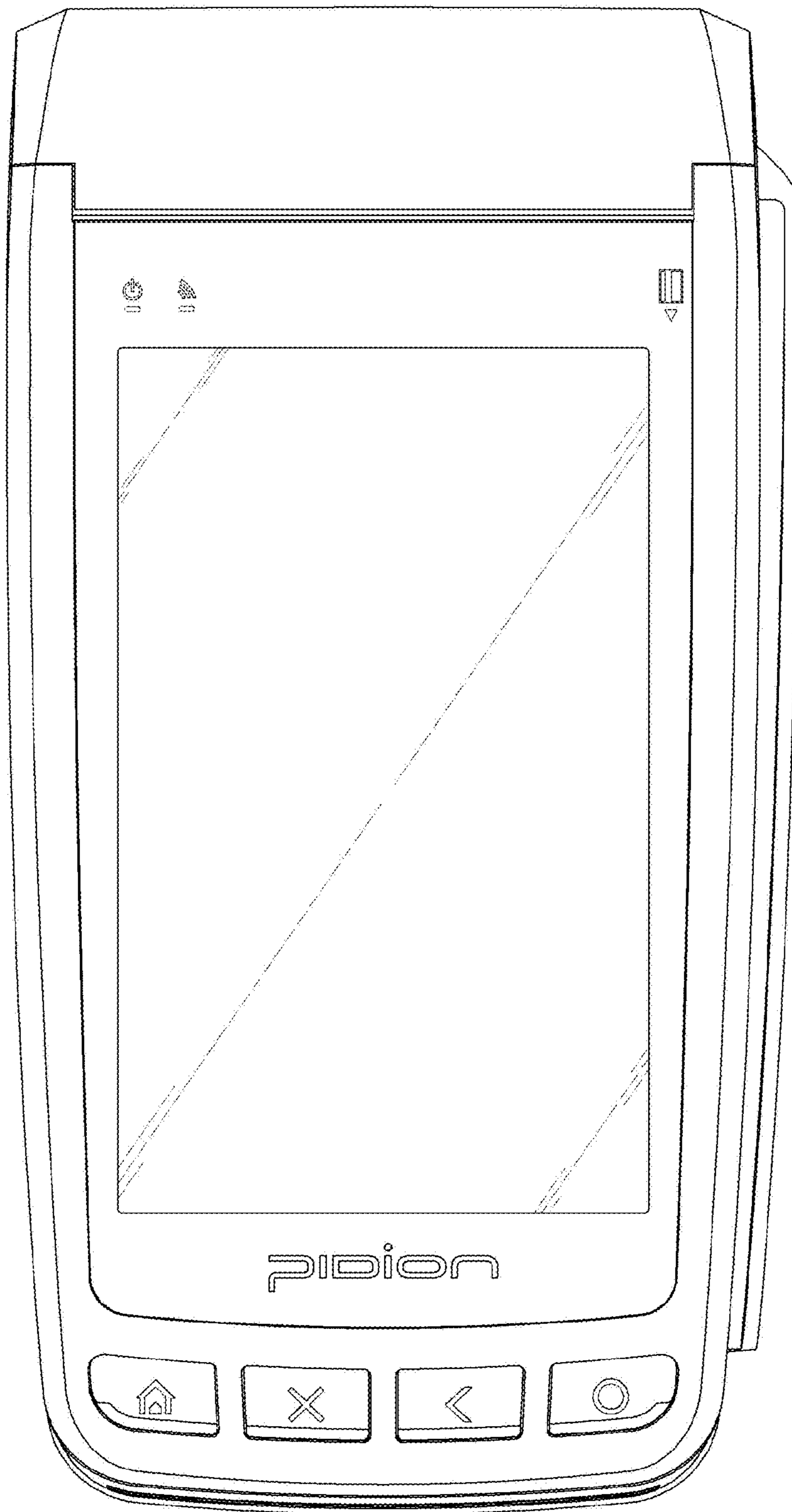


Fig. 4

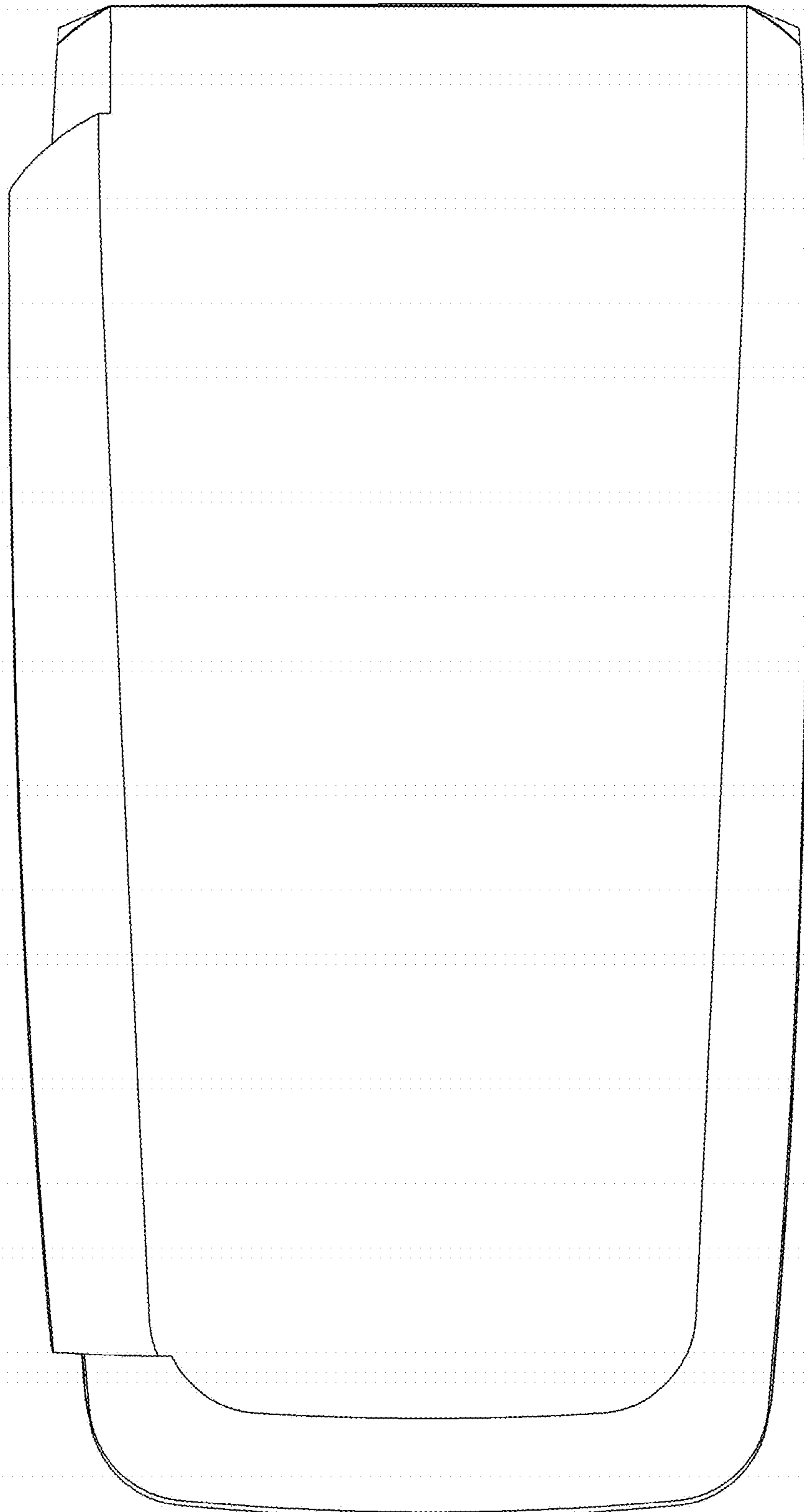


Fig. 5

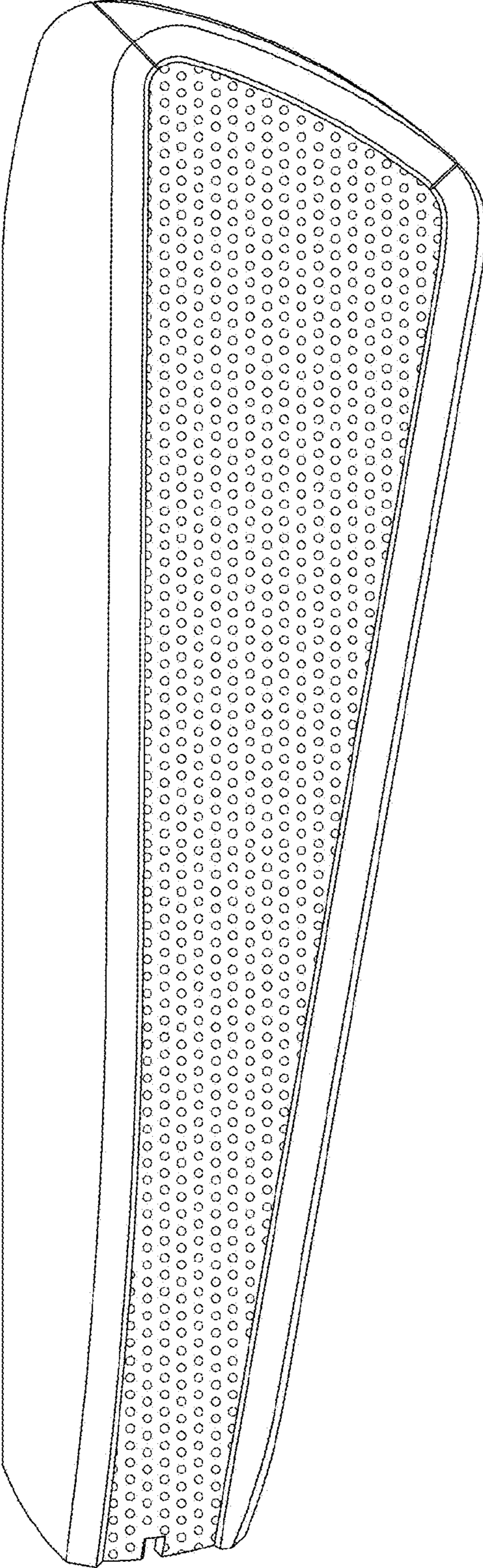




Fig. 6

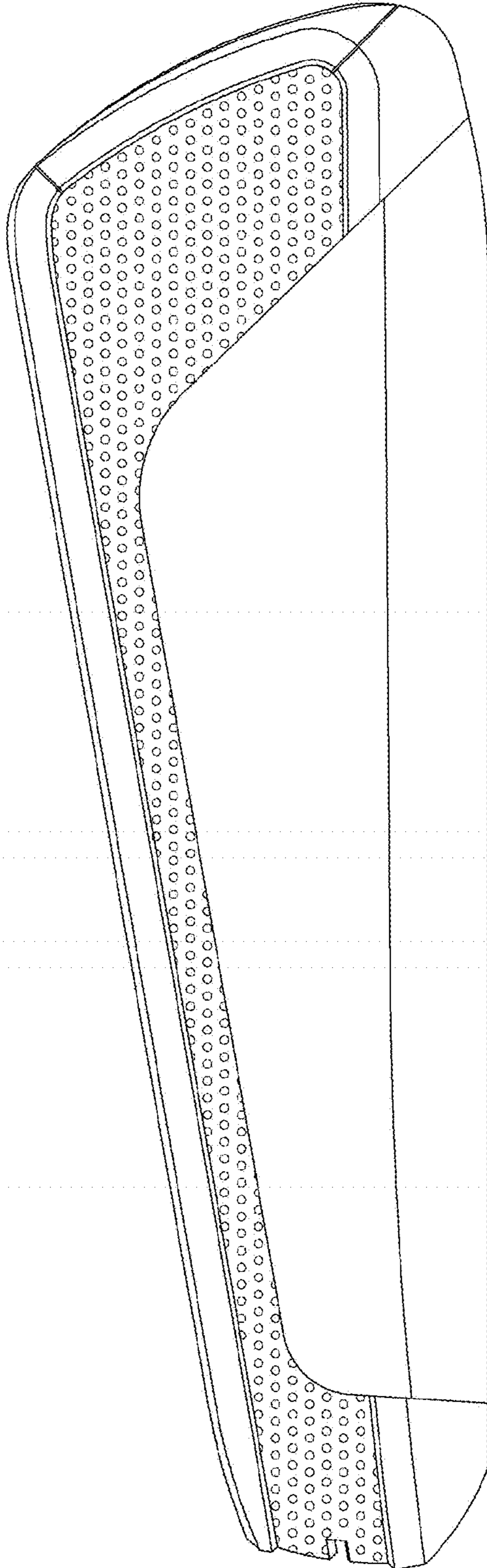


Fig. 7

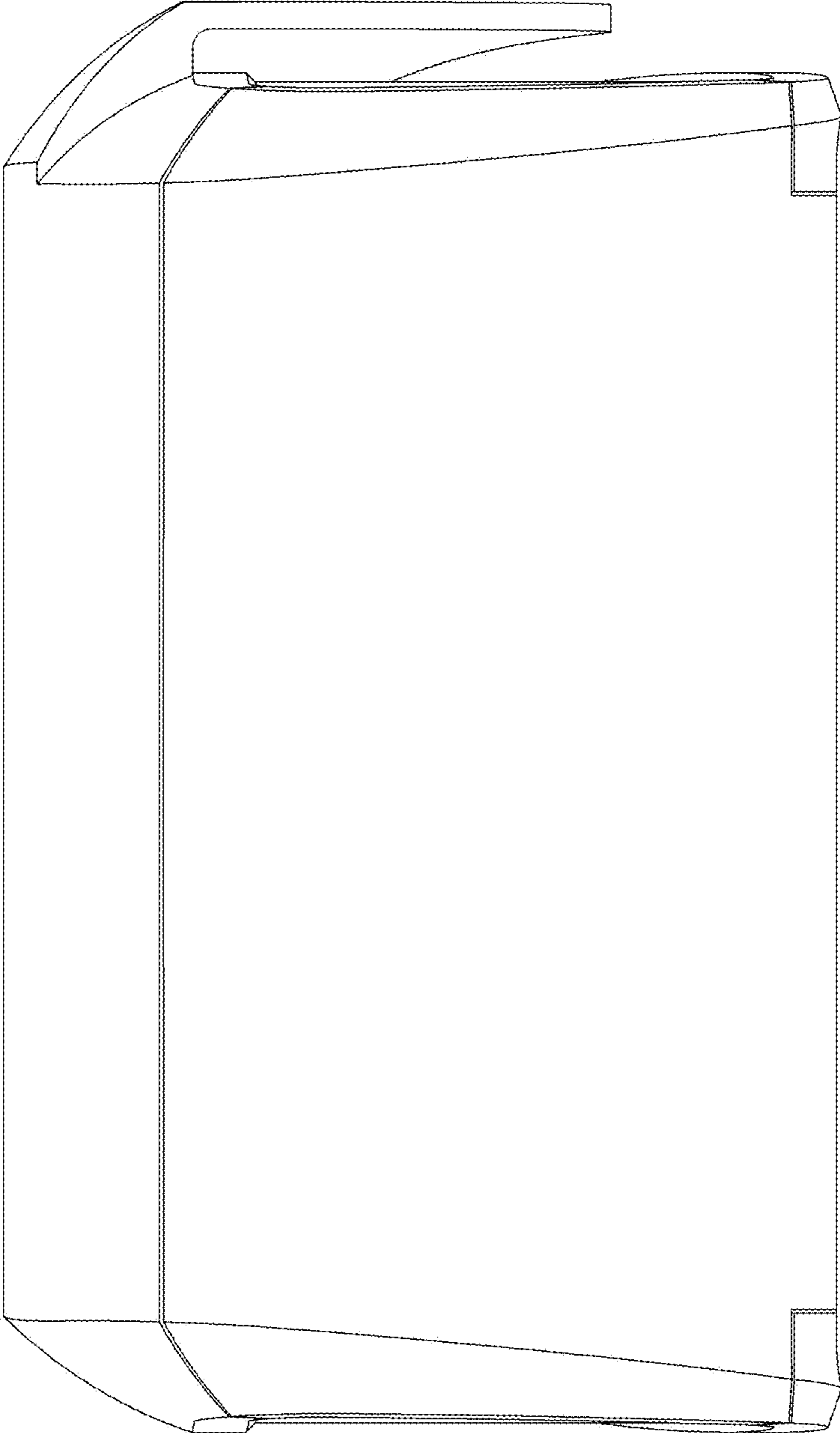




Fig. 8

