



US00D716365S

(12) **United States Design Patent**
Yamano et al.

(10) **Patent No.:** **US D716,365 S**
(45) **Date of Patent:** **** Oct. 28, 2014**

(54) **HEAD MOUNTED DISPLAY**

(71) Applicant: **Seiko Epson Corporation**, Tokyo (JP)

(72) Inventors: **Hirokazu Yamano**, Chino (JP);
Yoshihiro Tatara, Shiojiri (JP); **Hideki Kato**, London (GB); **Noriaki Hiraide**, Azumino (JP); **Takeshi Fujishiro**, Shiojiri (JP); **Akihiro Nishiyama**, Matsumoto (JP)

(73) Assignee: **Seiko Epson Corporation**, Tokyo (JP)

(**) Term: **14 Years**

(21) Appl. No.: **29/486,187**

(22) Filed: **Mar. 27, 2014**

(30) **Foreign Application Priority Data**

Oct. 18, 2013 (JP) 2013-024256

(51) **LOC (10) Cl.** **16-06**

(52) **U.S. Cl.**
USPC **D16/309**; D16/300

(58) **Field of Classification Search**
USPC D16/101, 300-342, 900; D29/109-110;
351/41, 44, 51-52, 62, 158, 92,
351/103-123, 140-153, 63, 59, 45-46;
2/426-432, 447-449, 441, 434-437,
2/13, 15; D21/483, 659-661; D14/372

See application file for complete search history.

(56) **References Cited**

U.S. PATENT DOCUMENTS

6,424,321 B1 * 7/2002 Ronzani et al. 345/8
D600,738 S * 9/2009 Su et al. D16/300
D624,111 S * 9/2010 Knoop D16/300
D638,462 S * 5/2011 Bumgardner et al. D16/309
D640,256 S * 6/2011 So D14/372
2005/0168824 A1 * 8/2005 Travers et al. 359/630

FOREIGN PATENT DOCUMENTS

JP 1471440 S 6/2013

* cited by examiner

Primary Examiner — Raphael Barkai

(57) **CLAIM**

The ornamental design for a head mounted display, as shown and described.

DESCRIPTION

FIG. 1 is a front, top and right side perspective view of a head mounted display showing our new design;
FIG. 2 is a rear, bottom and left side perspective view thereof;
FIG. 3 is a front view thereof;
FIG. 4 is a rear view thereof;
FIG. 5 is a top plan view thereof;
FIG. 6 is a bottom plan view thereof;
FIG. 7 is a right side view thereof; and,
FIG. 8 is a left side view thereof.
The oblique shade lines shown in the drawings represent that the lens is transparent or translucent.

1 Claim, 8 Drawing Sheets

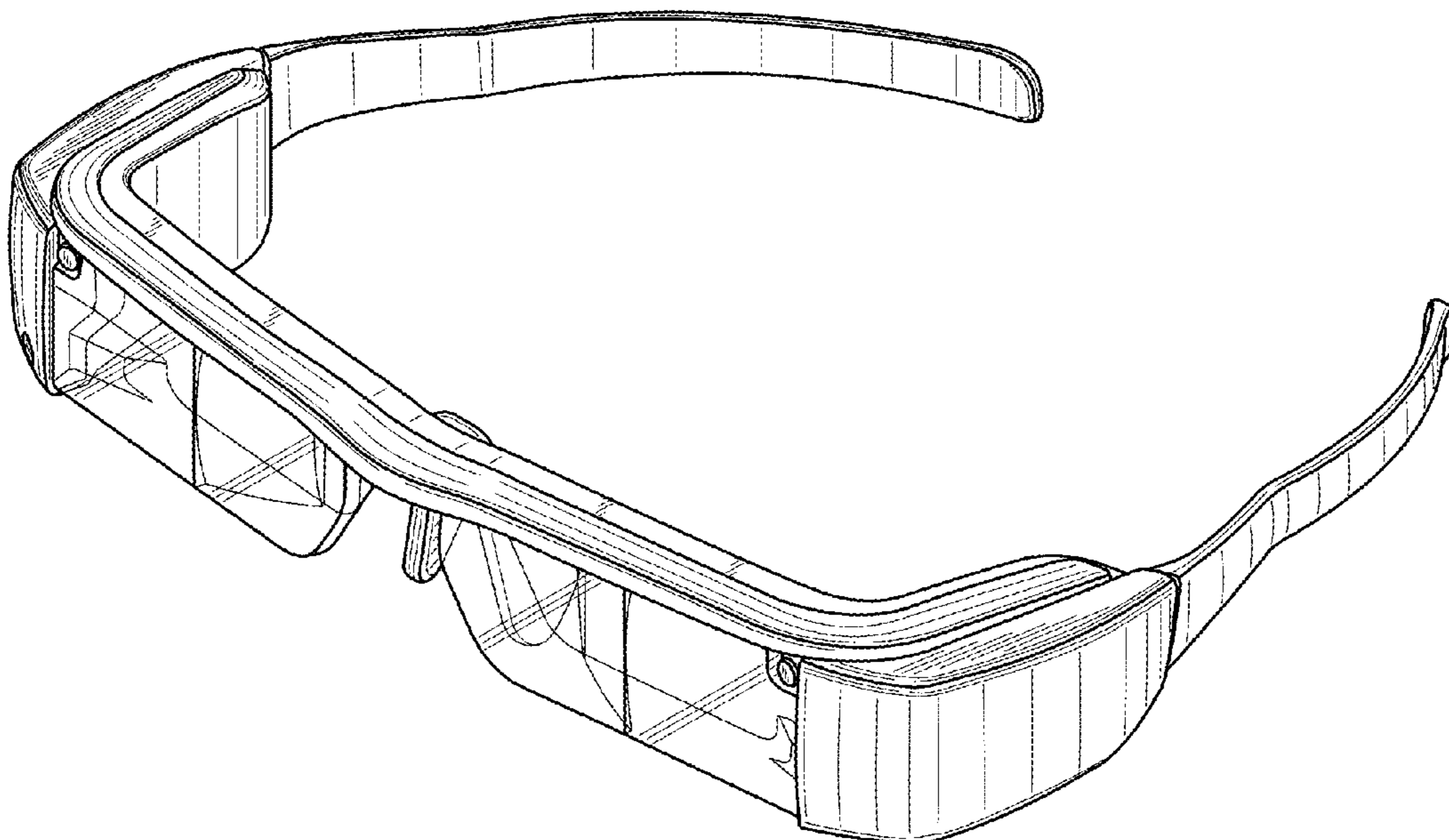


FIG. 1

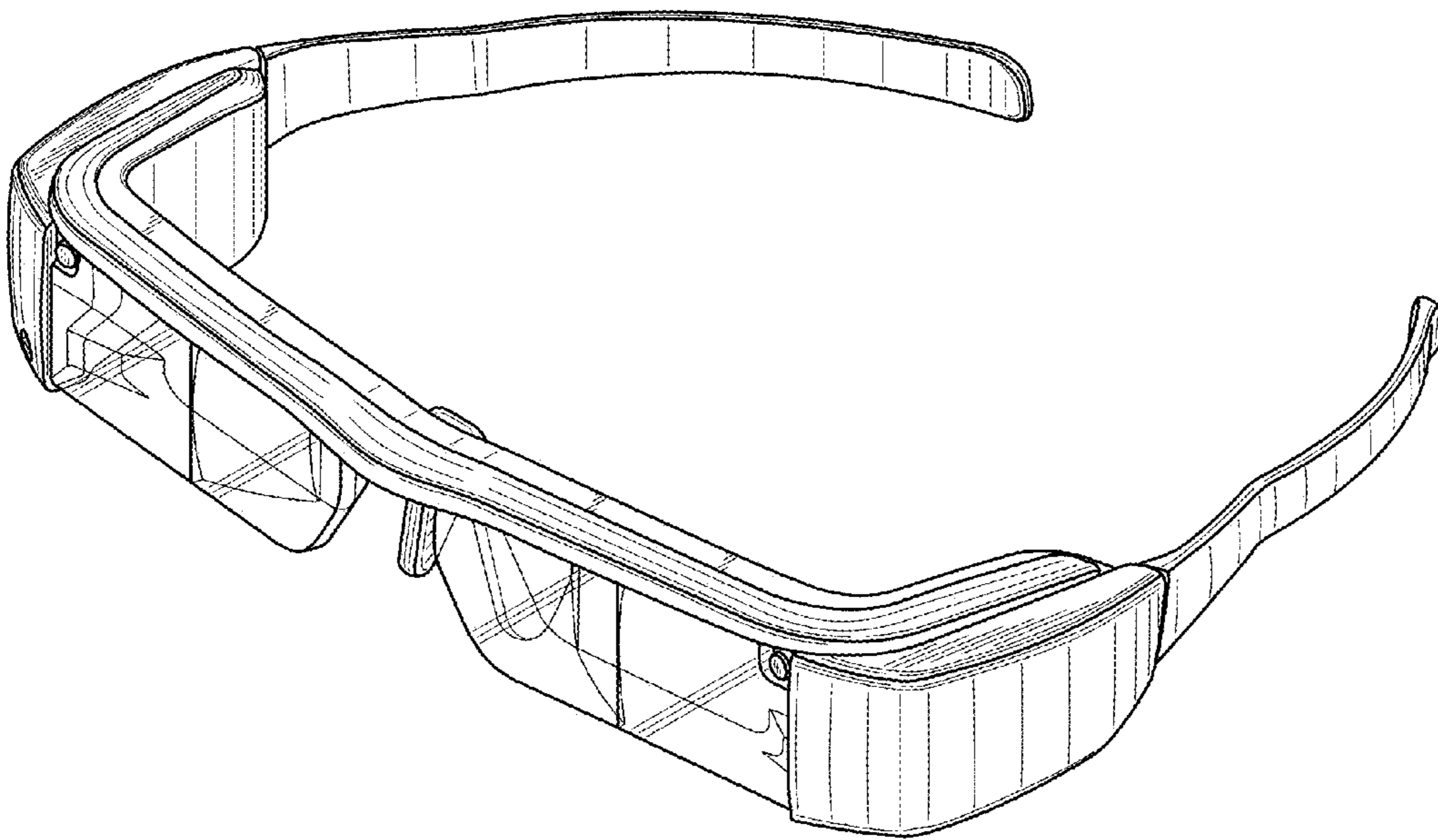


FIG. 2

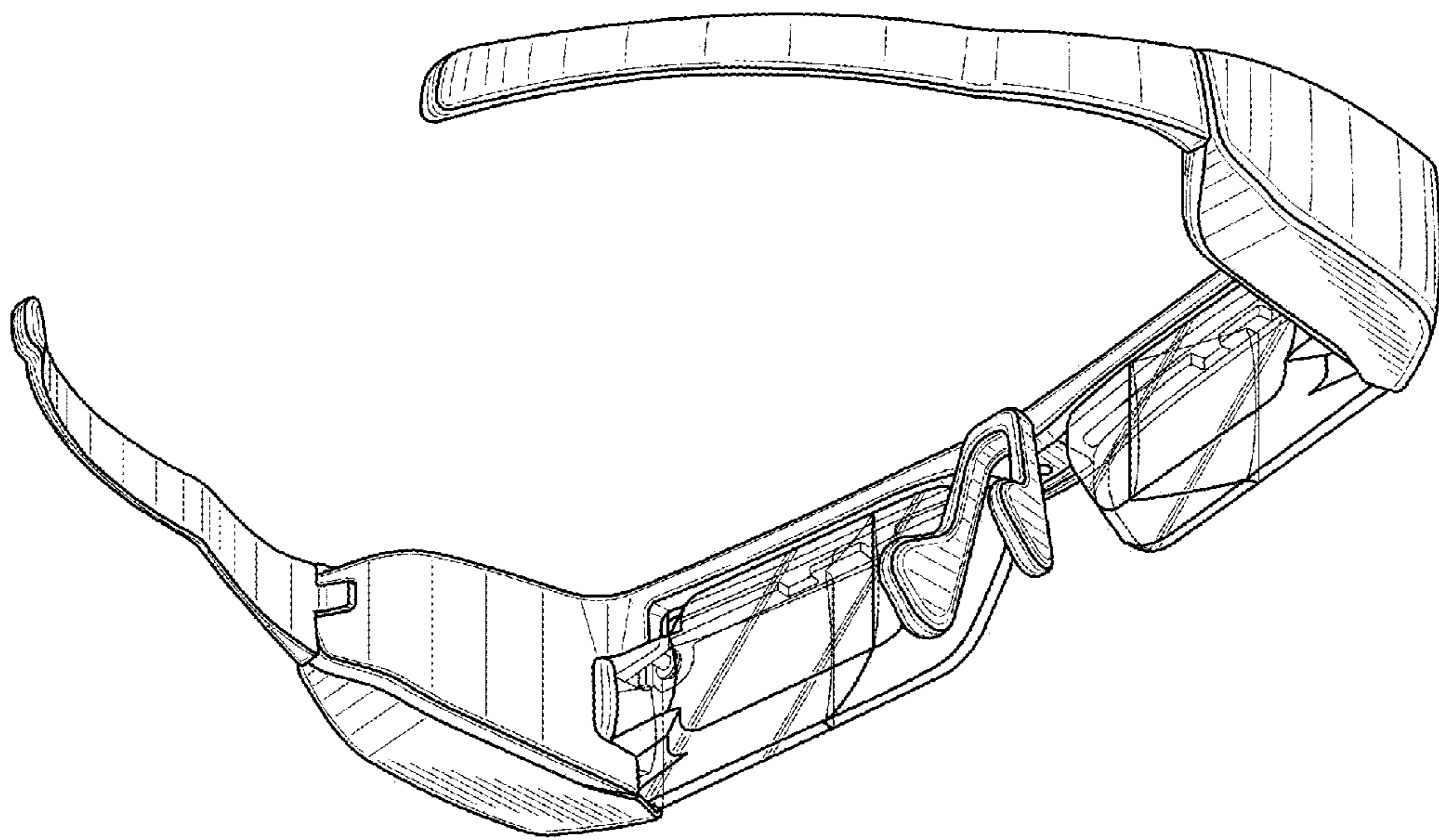


FIG. 3

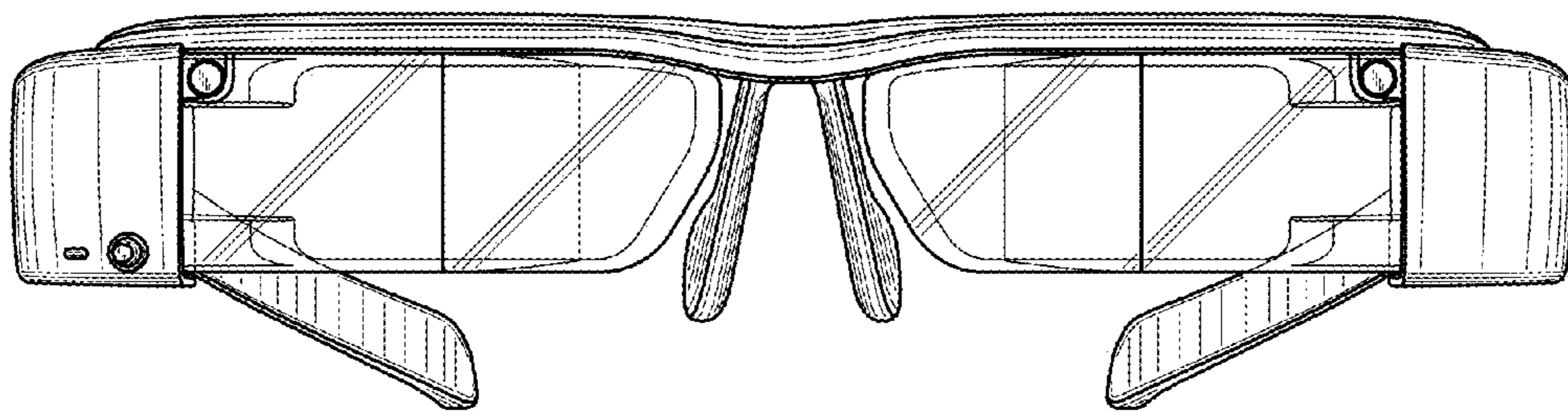


FIG. 4

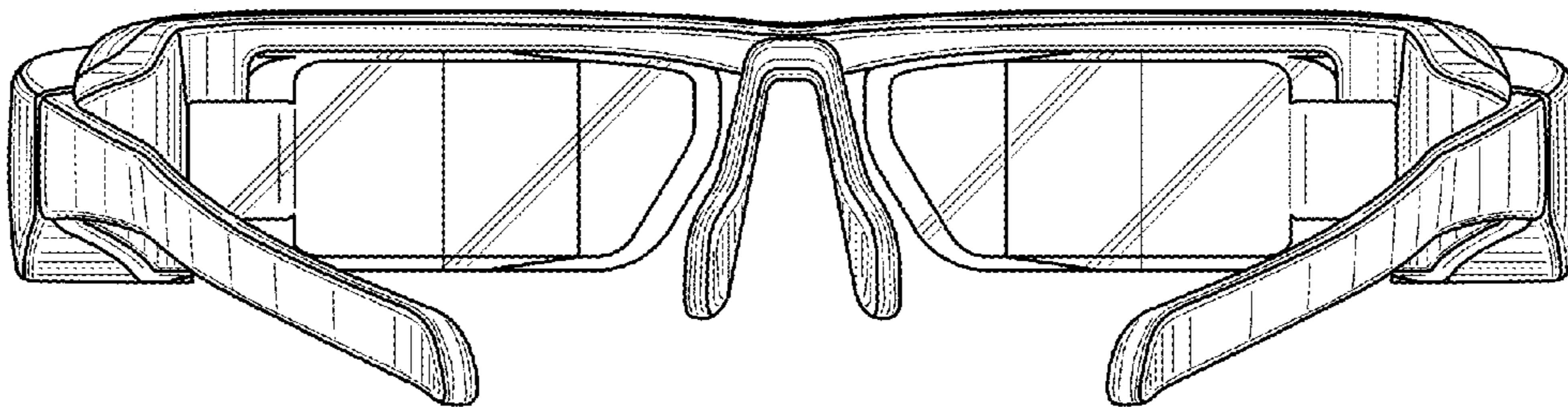


FIG. 5

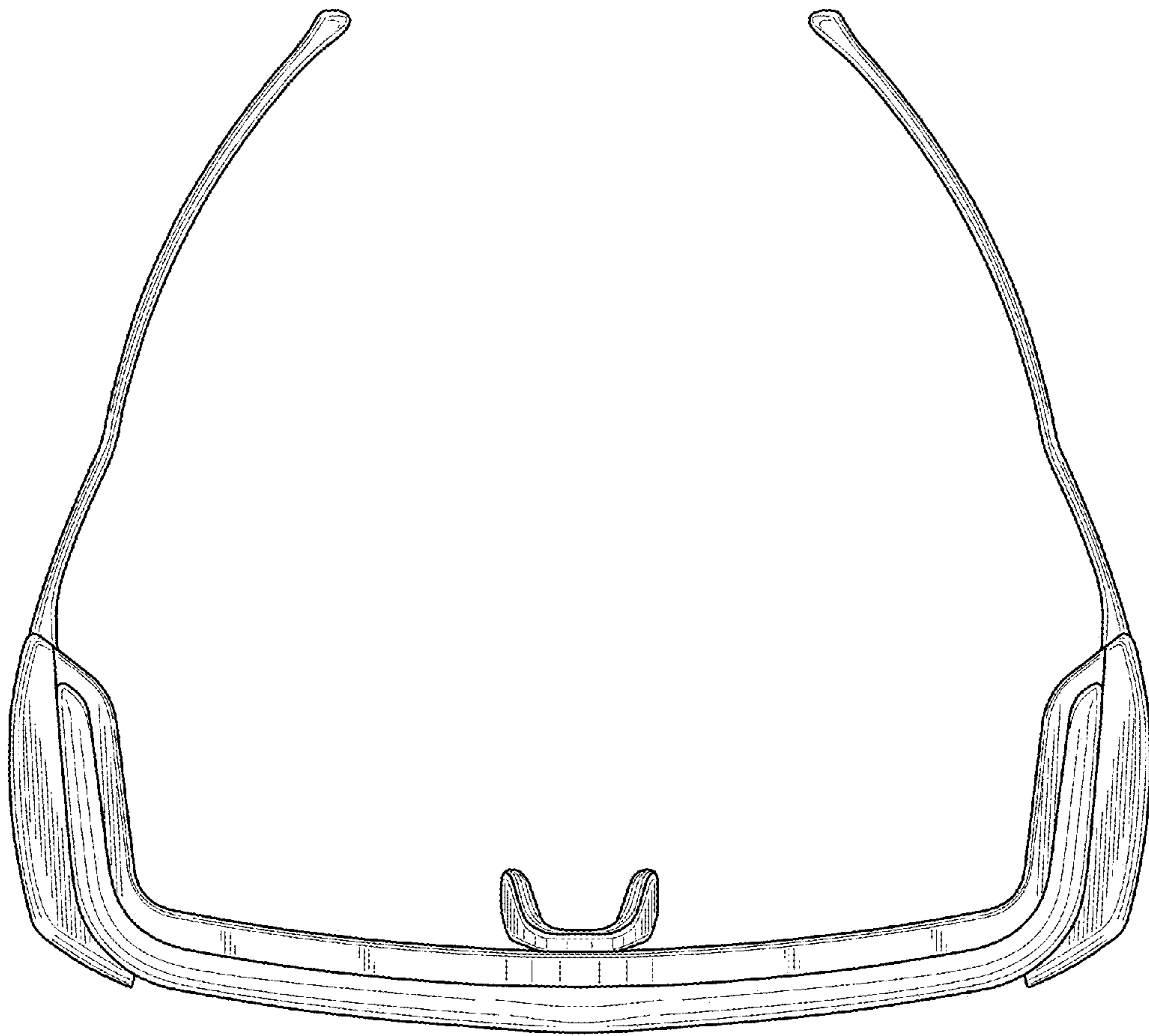


FIG. 6

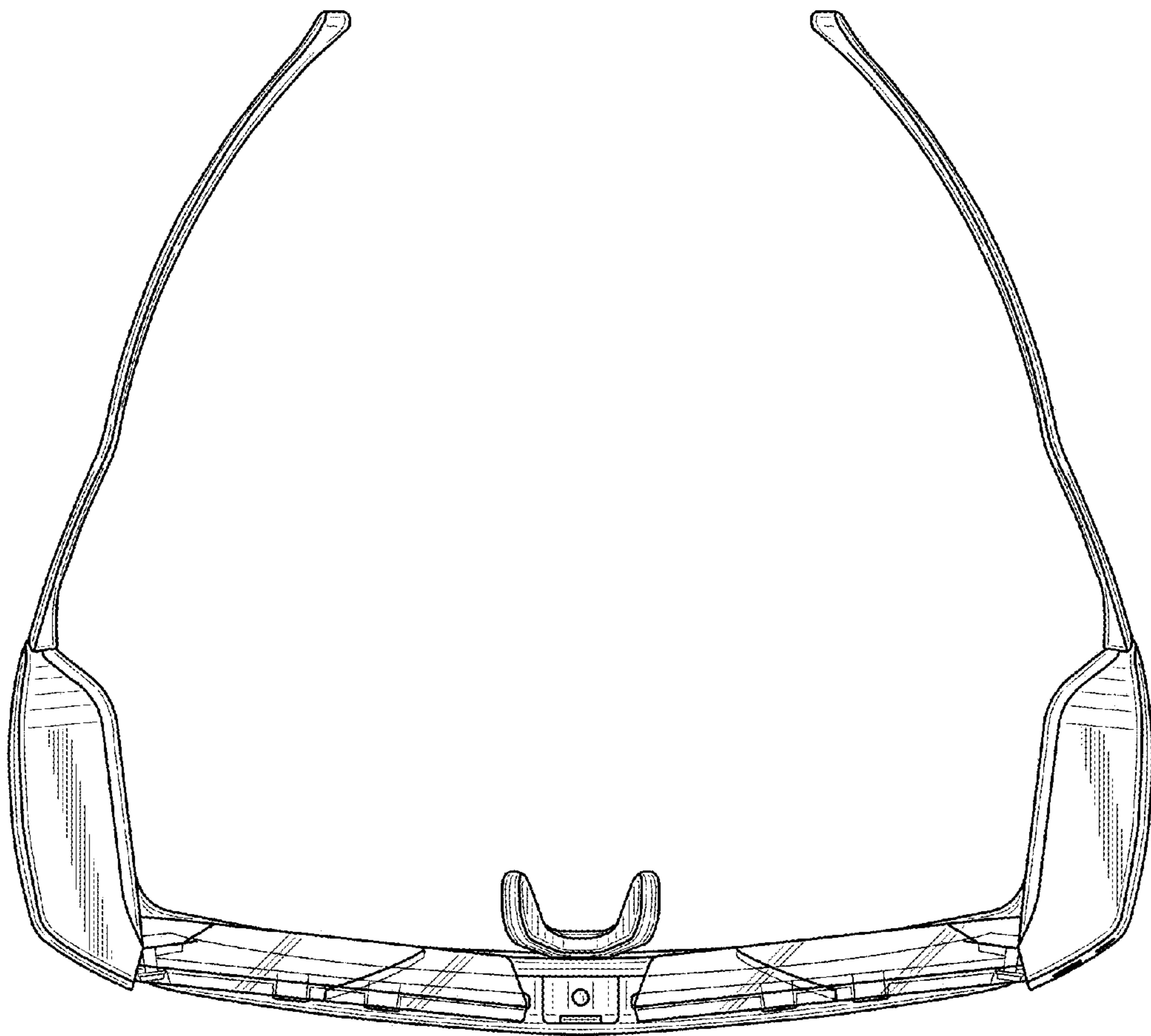


FIG. 7

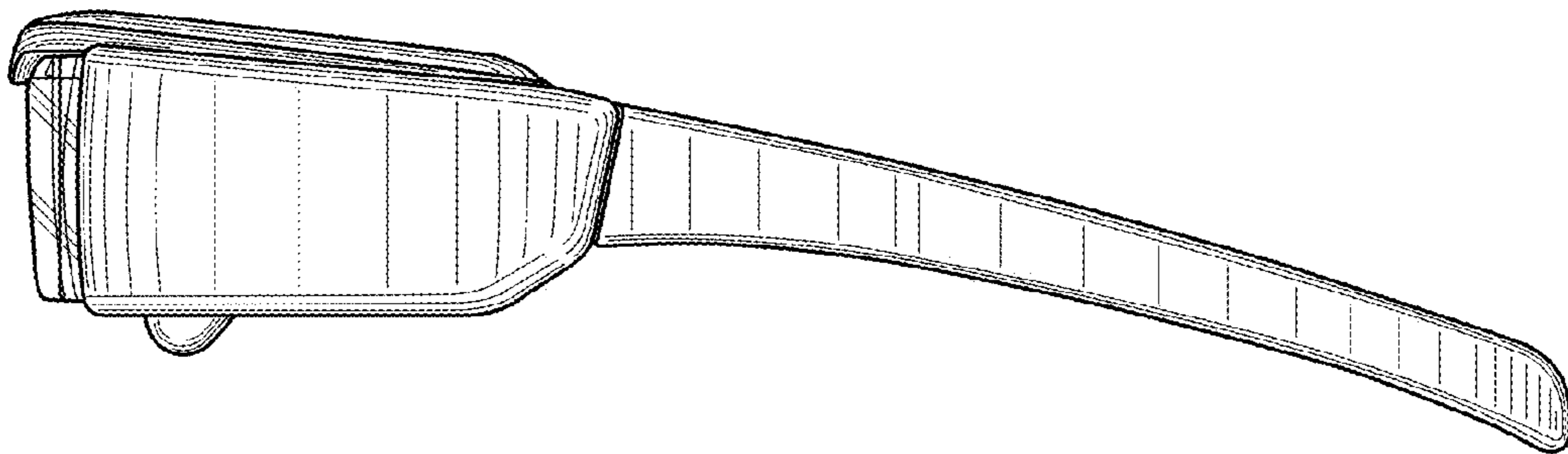


FIG. 8

