



US00D716364S

(12) **United States Design Patent**  
**Chow et al.**

(10) **Patent No.:** **US D716,364 S**  
(45) **Date of Patent:** **\*\* Oct. 28, 2014**

(54) **EYEWEAR VIEWING DEVICE**

(71) Applicant: **Kopin Corporation**, Westborough, MA (US)

(72) Inventors: **Kenny W. Y. Chow**, North Point (HK);  
**Kenneth A. Kokinakis**, Naples, FL (US)

(73) Assignee: **Kopin Corporation**, Westborough, MA (US)

(\*\*) Term: **14 Years**

(21) Appl. No.: **29/482,430**

(22) Filed: **Feb. 18, 2014**

(51) **LOC (10) Cl.** ..... **16-06**

(52) **U.S. Cl.**  
USPC ..... **D16/300**; D16/309; D16/314

(58) **Field of Classification Search**  
CPC ..... G02B 17/0848; G02B 27/0172; G02B 2027/0178; G02B 5/04  
USPC ..... D16/101, 300–342, 900; D29/109–110; 351/41, 44, 51–52, 62, 158, 92, 351/103–123, 140–153, 45–46, 131, 124, 351/55, 60; 2/426–432, 447–449, 441, 2/434–437, 13, 15; D21/483, 659–661; D14/372; D8/17, 21, 349  
See application file for complete search history.

(56) **References Cited**

**U.S. PATENT DOCUMENTS**

6,421,031 B1 7/2002 Ronzani et al.  
D565,082 S \* 3/2008 McClure et al. .... D16/309  
D664,185 S \* 7/2012 Heinrich et al. .... D16/309

(Continued)

*Primary Examiner* — Raphael Barkai

(74) *Attorney, Agent, or Firm* — Hamilton, Brook, Smith & Reynolds, P.C.

(57) **CLAIM**

The ornamental design for an eyewear viewing device, as shown and described.

**DESCRIPTION**

FIG. 1 is a front perspective view of the eyewear viewing device in the present invention with the electronic viewer portion being on one side in an upper position and earpiece or earphone speakers being in a lower position.

FIG. 2 is a front view thereof.

FIG. 3 is a rear view thereof.

FIG. 4 is a top view thereof.

FIG. 5 is a bottom view thereof.

FIG. 6 is a left side view thereof.

FIG. 7 is a right side view thereof.

FIG. 8 is a rear perspective view thereof.

FIG. 9 is a front perspective view thereof with the electronic viewer portion in a lower position.

FIG. 10 is a side perspective view thereof with the earphone speakers folded in an up position.

FIG. 11 is a front perspective view thereof with the electronic viewer portion separated from the eyewear portion.

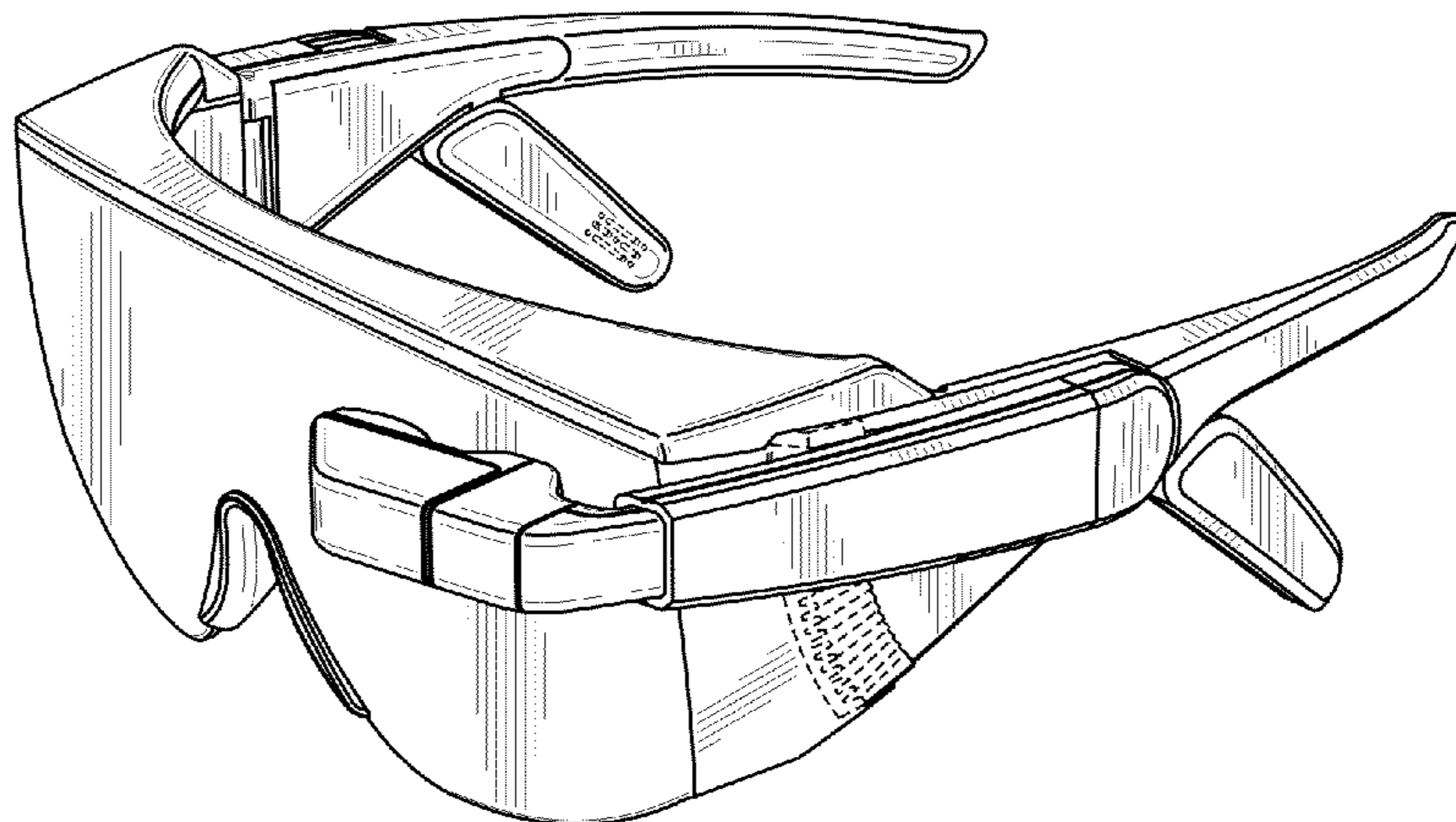
FIG. 12 is an opposite side perspective view thereof converted to have the electronic viewer portion attached to an opposite side of the eyewear portion.

FIG. 13 is a front perspective view thereof with the electronic viewer portion separated from the eyewear portion that is in a folded position; and,

FIG. 14 is a rear perspective view thereof with the electronic viewer portion separated from the eyewear portion that is in a folded position.

The eyewear viewing device in the present invention is an electronic eyewear viewing device including an arm having an electronic viewer portion with a display, removably attachable to an eyewear portion, that can be worn by a user as eyewear, glasses or goggles, and images generated by the eyewear viewing device can be viewed.

**1 Claim, 7 Drawing Sheets**



(56)

**References Cited**

U.S. PATENT DOCUMENTS

D666,237 S \* 8/2012 Olsson et al. .... D16/309  
D669,471 S 10/2012 Hwang et al.  
8,545,013 B2 10/2013 Hwang et al.

2009/0109395 A1\* 4/2009 Fuziak, Jr. .... 351/158  
2012/0026455 A1\* 2/2012 Takahashi .... 351/158  
2013/0214998 A1\* 8/2013 Andes et al. .... 345/8  
2013/0235331 A1\* 9/2013 Heinrich et al. .... 351/158  
2014/0139927 A1\* 5/2014 Hiraide .... 359/630

\* cited by examiner

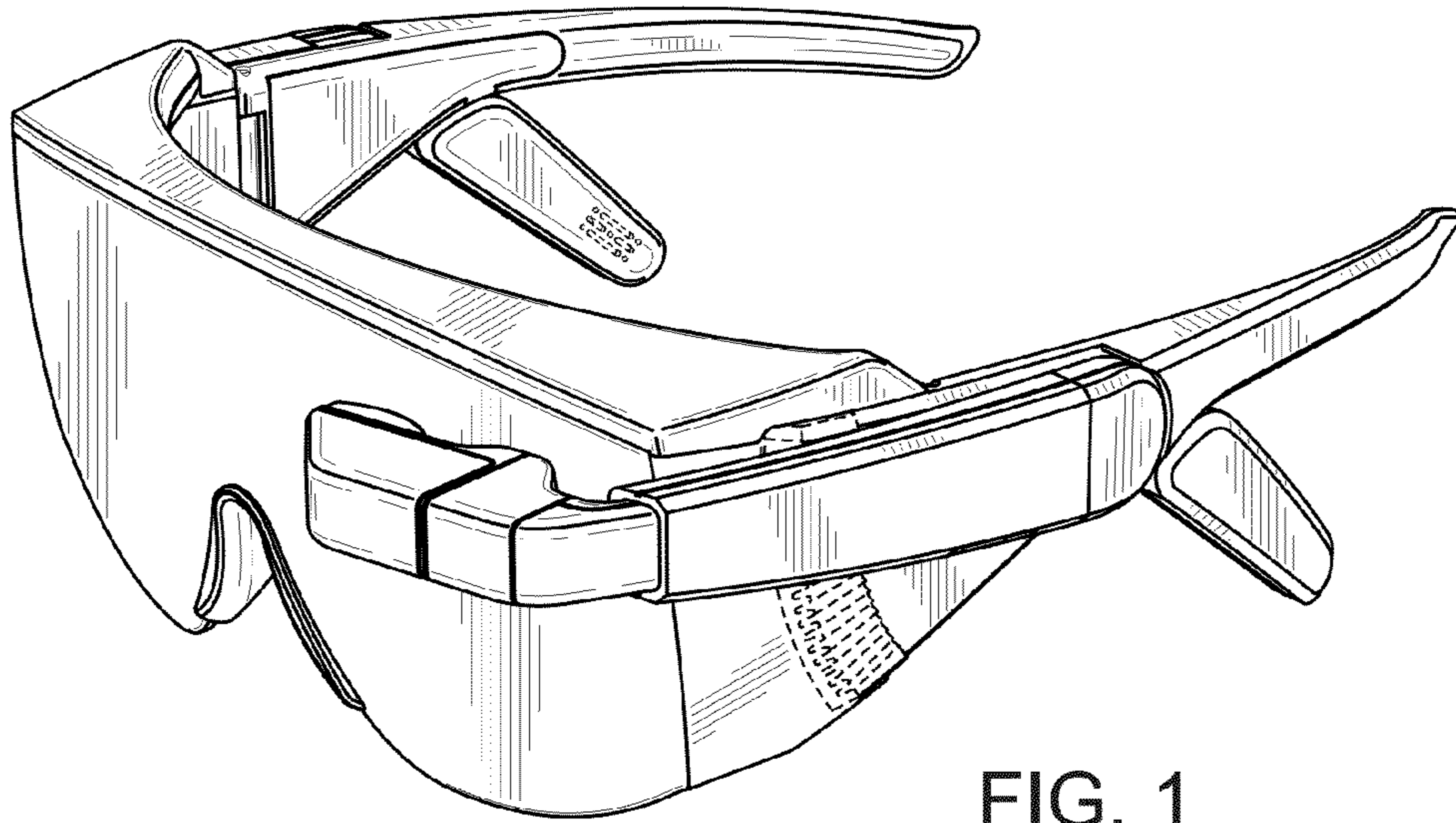


FIG. 1

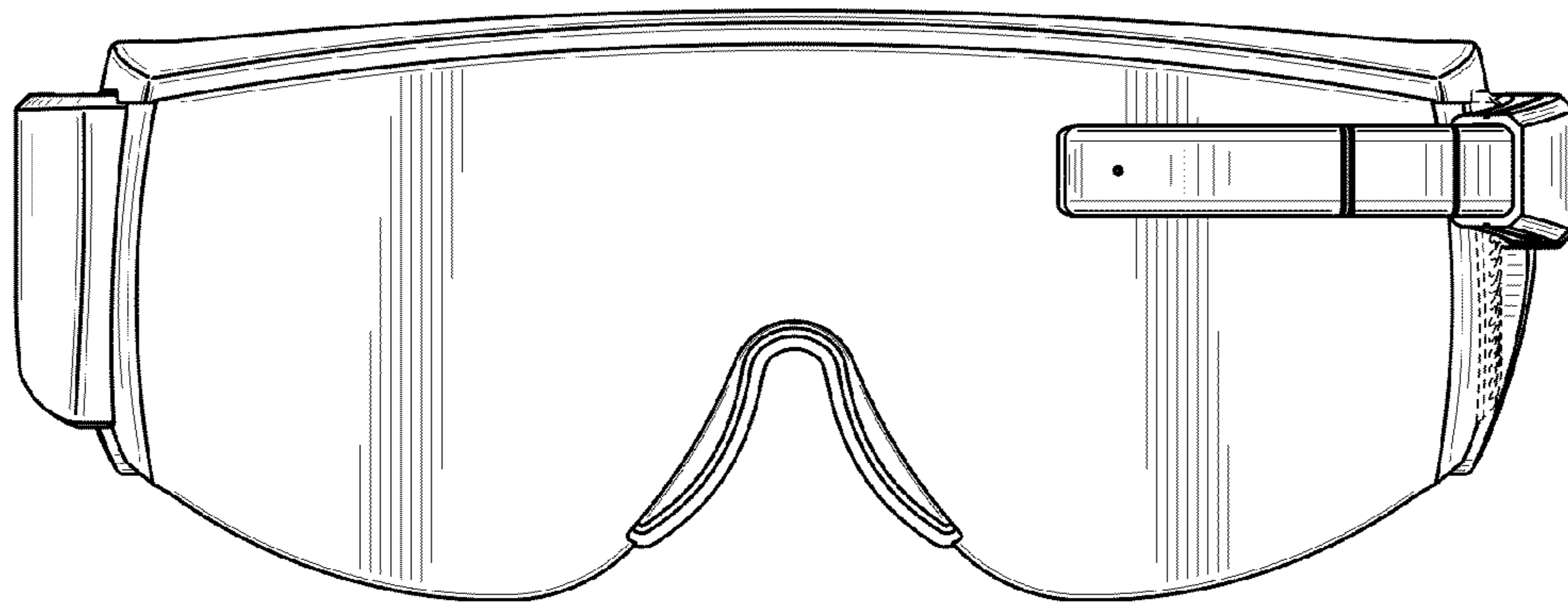


FIG. 2

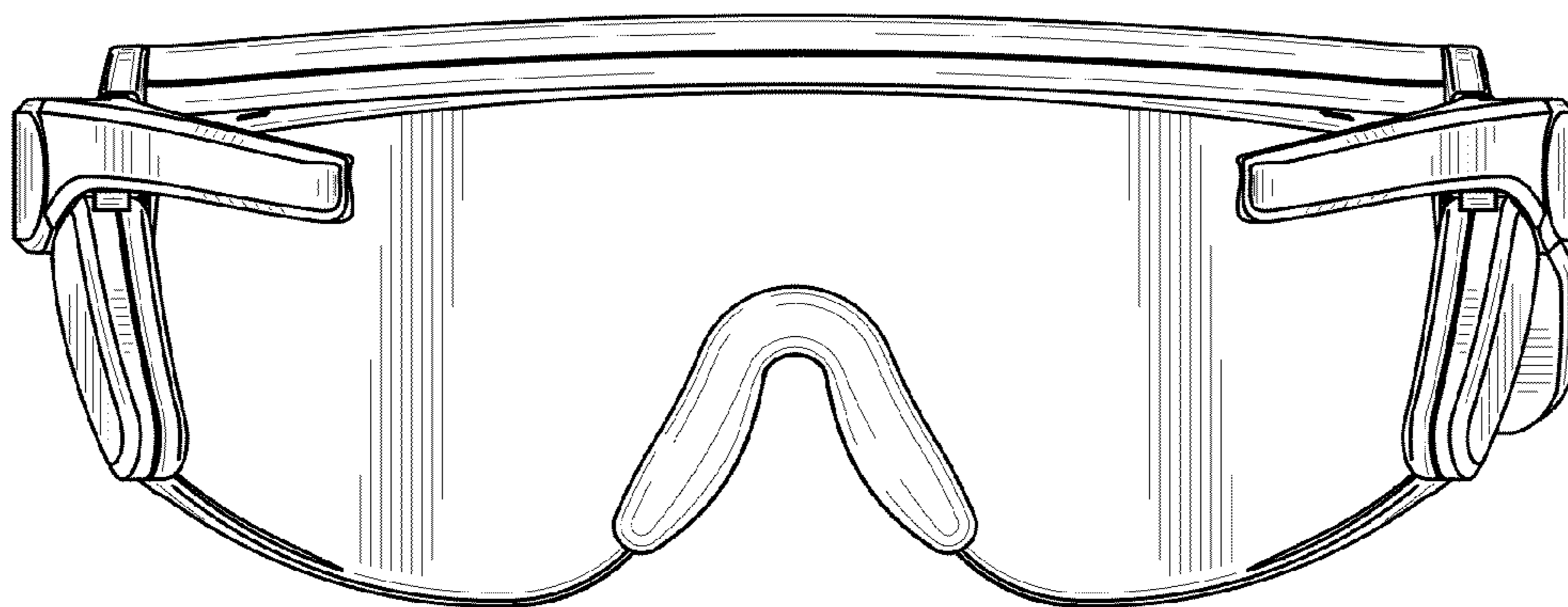
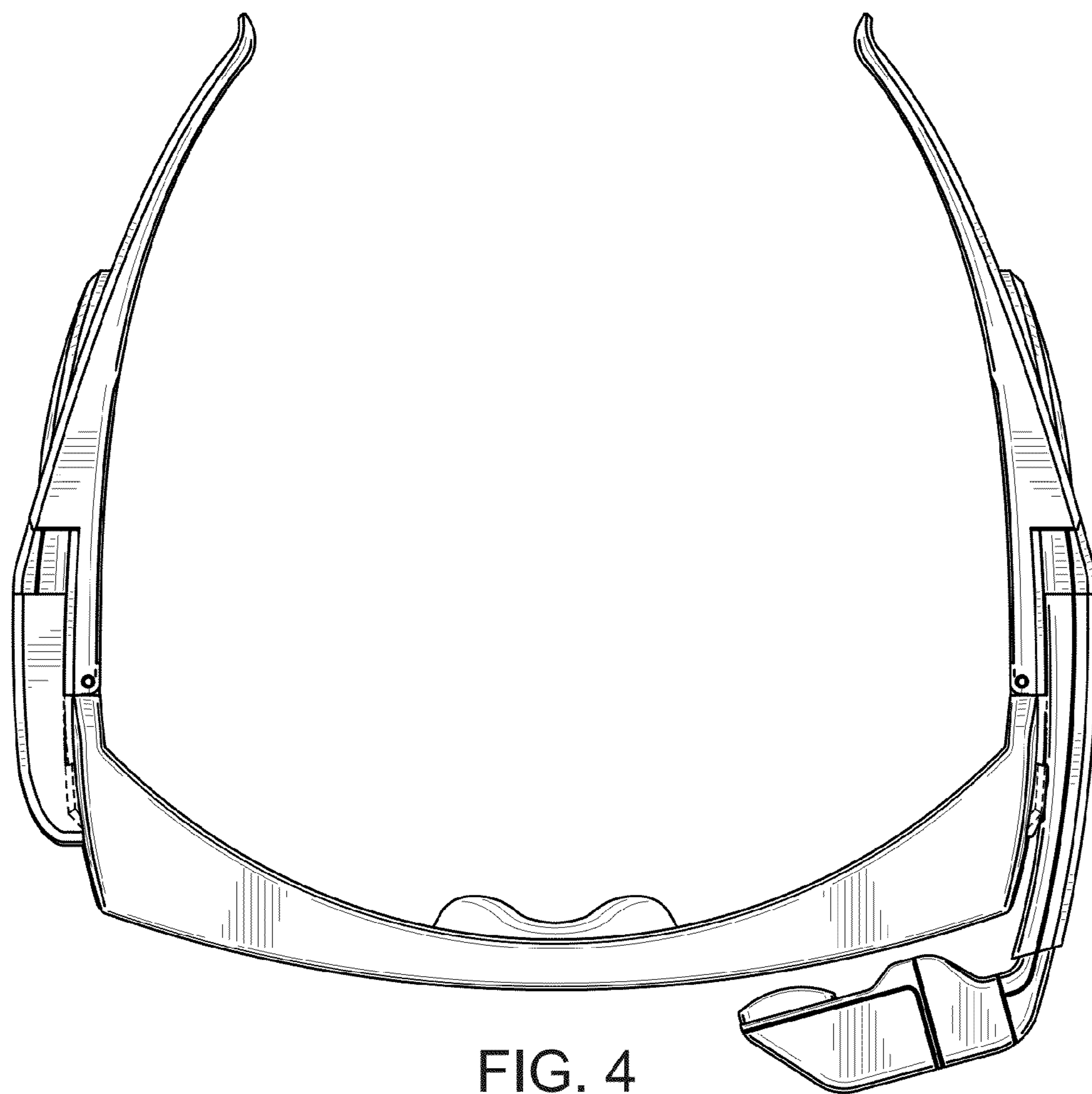


FIG. 3



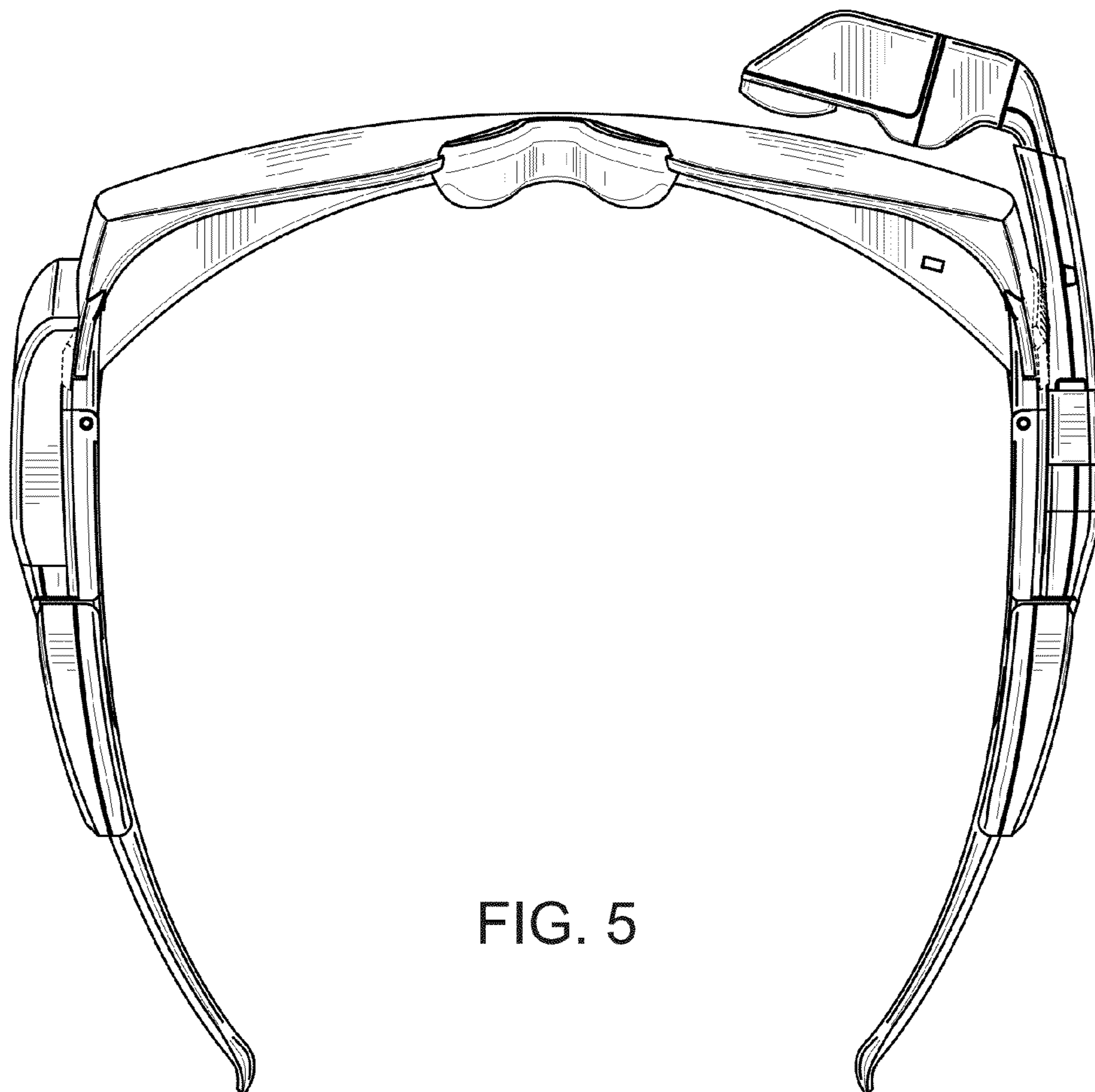


FIG. 5

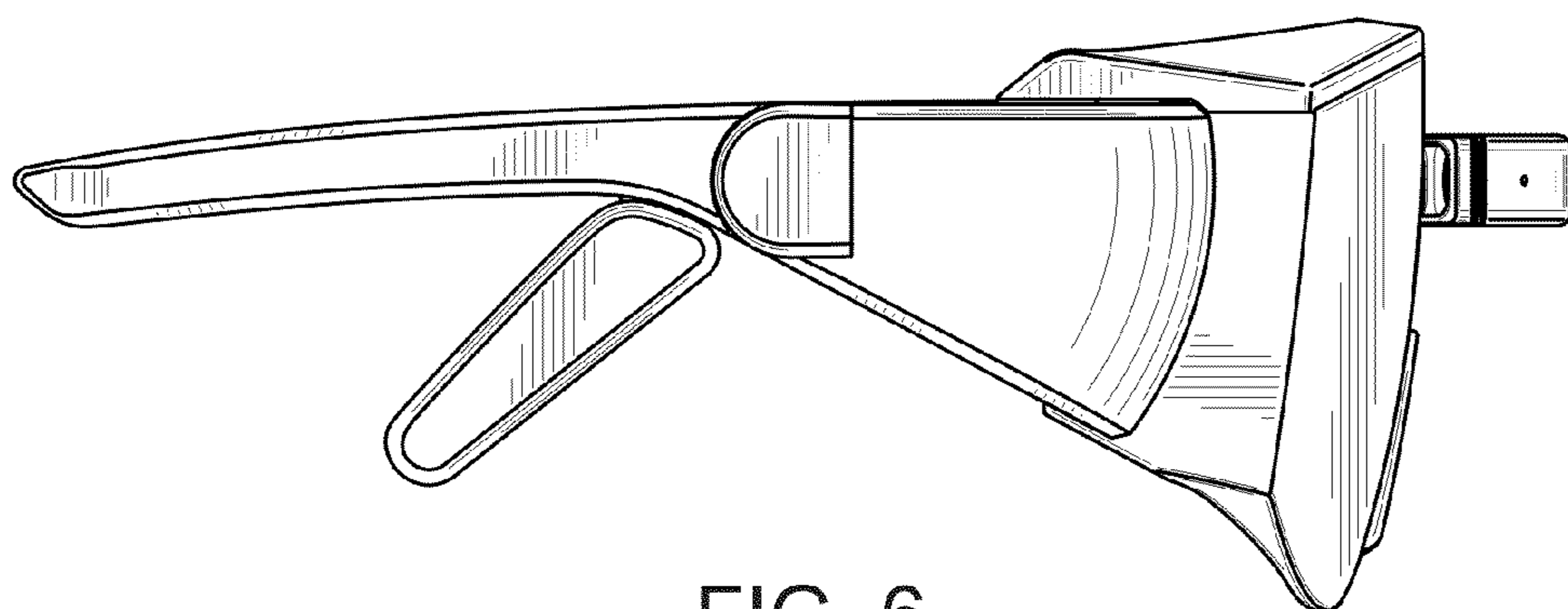


FIG. 6

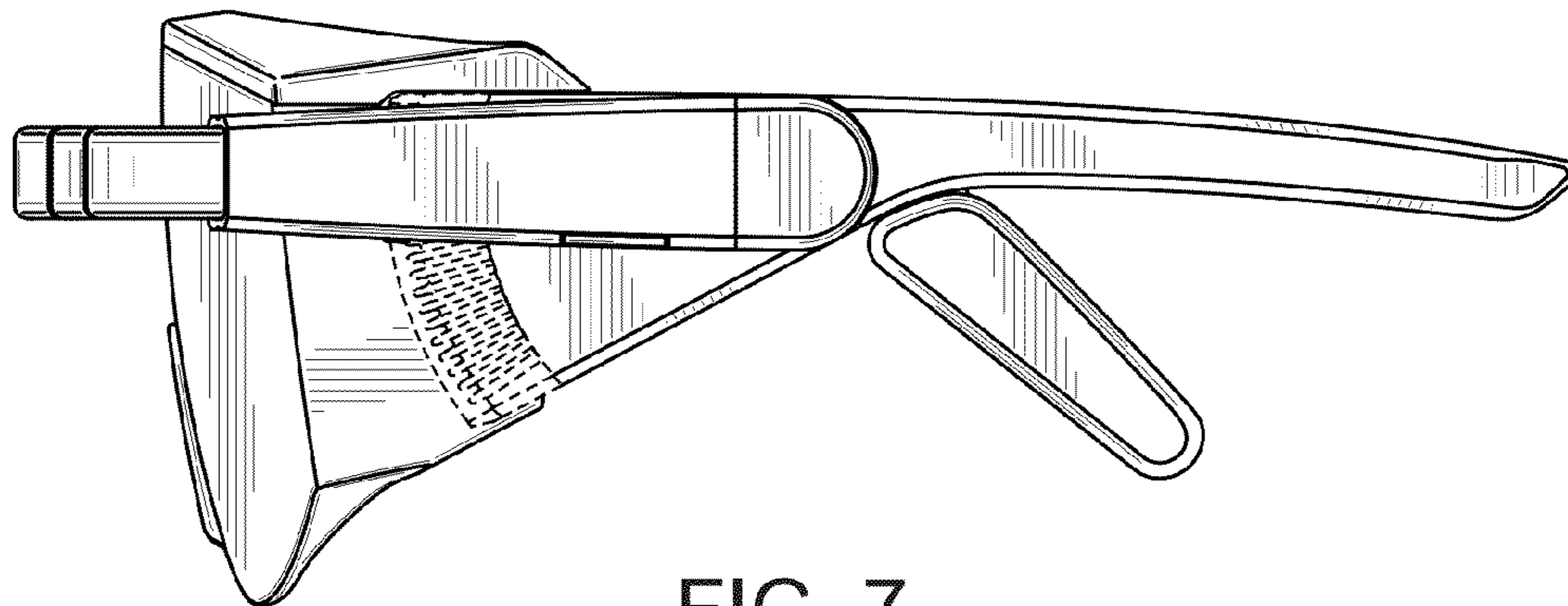


FIG. 7

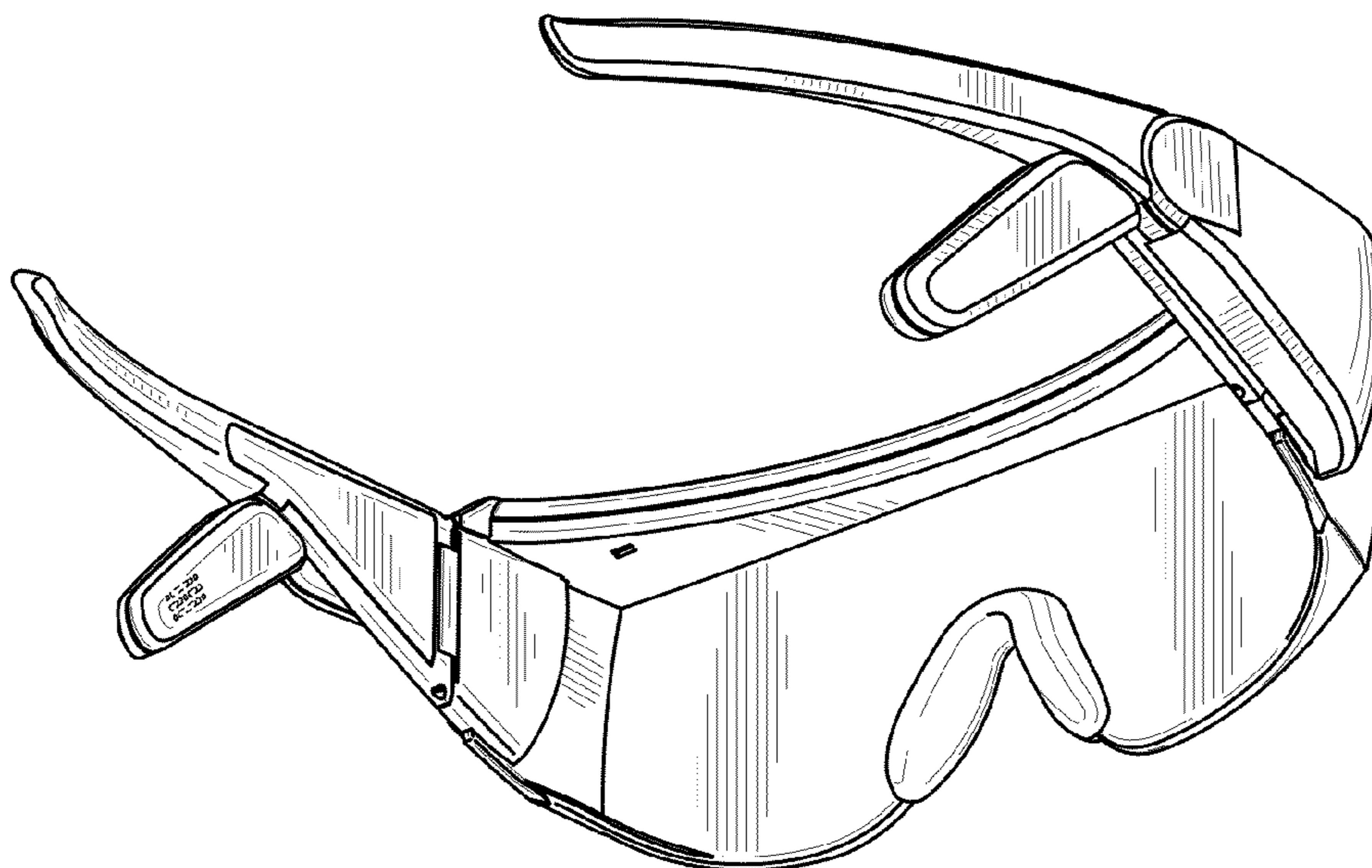


FIG. 8

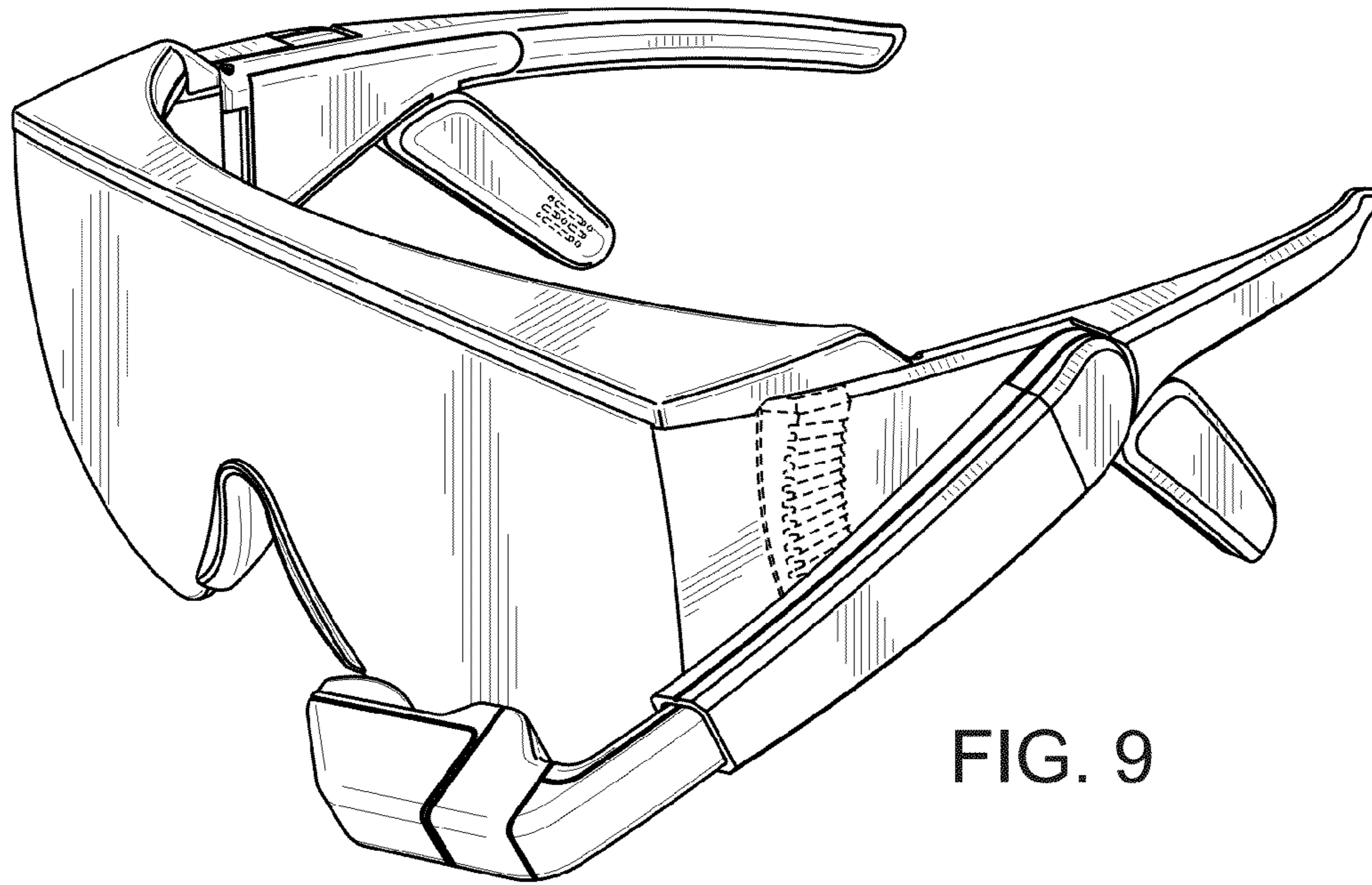


FIG. 9

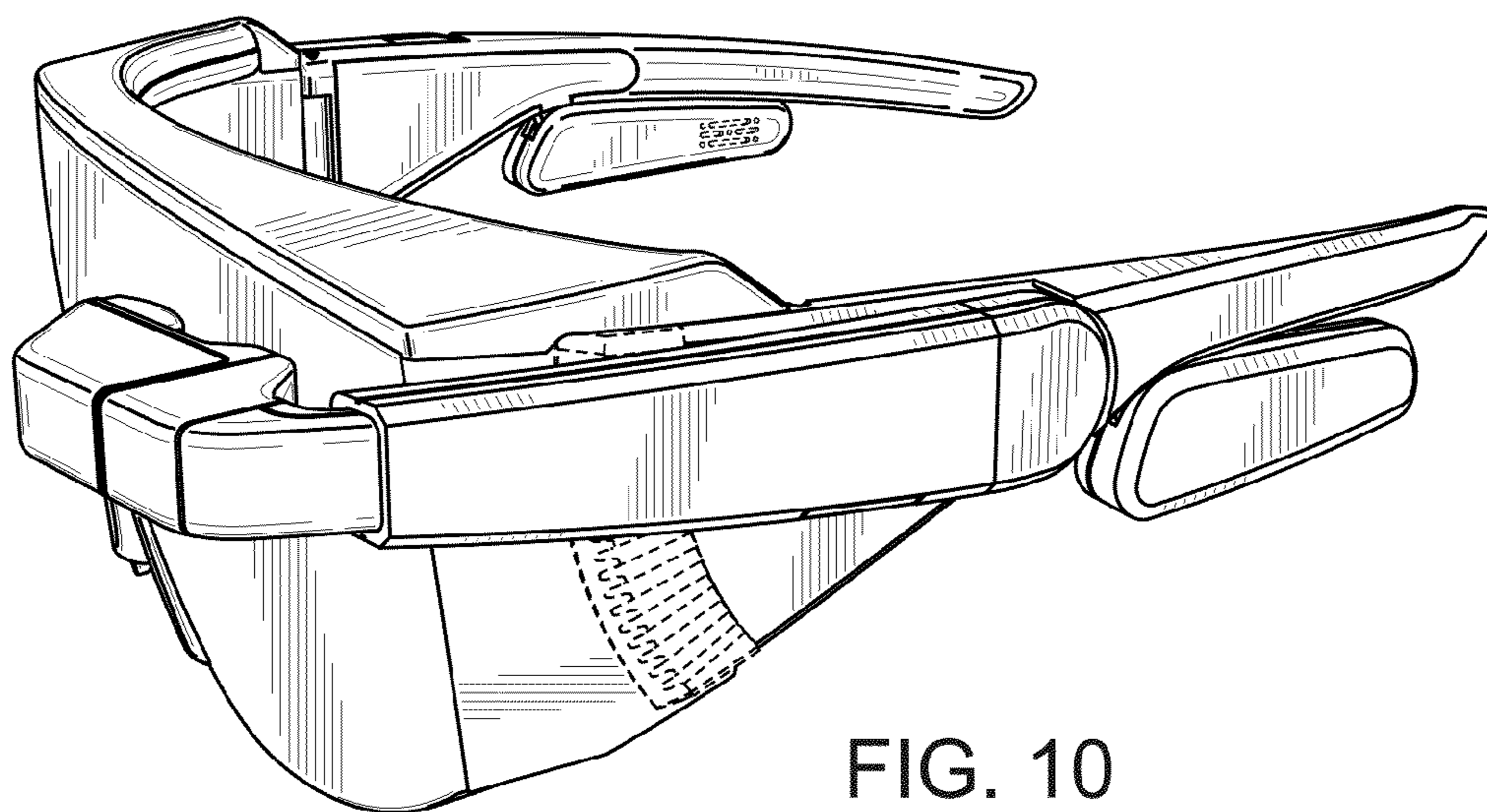


FIG. 10

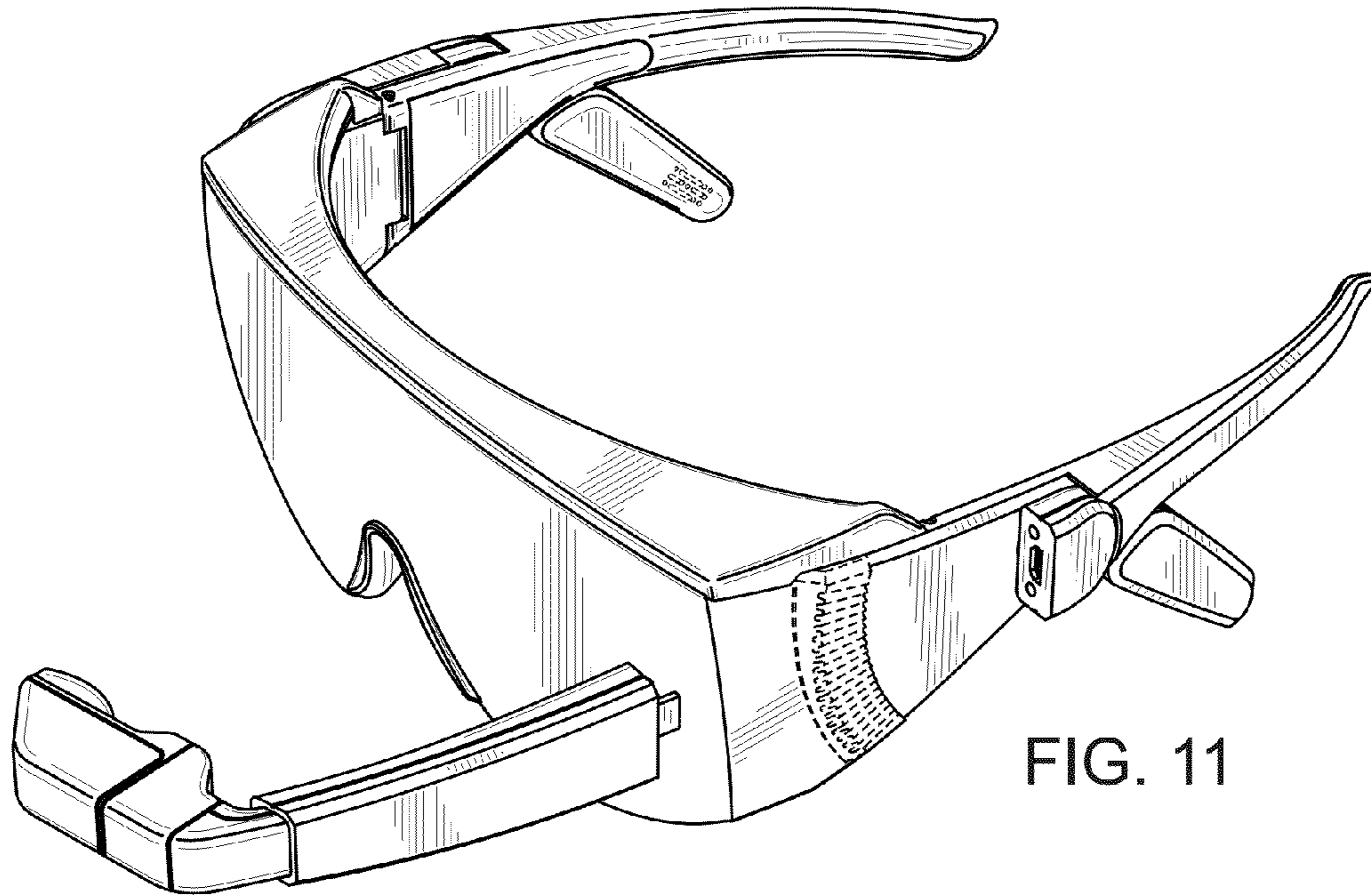


FIG. 11

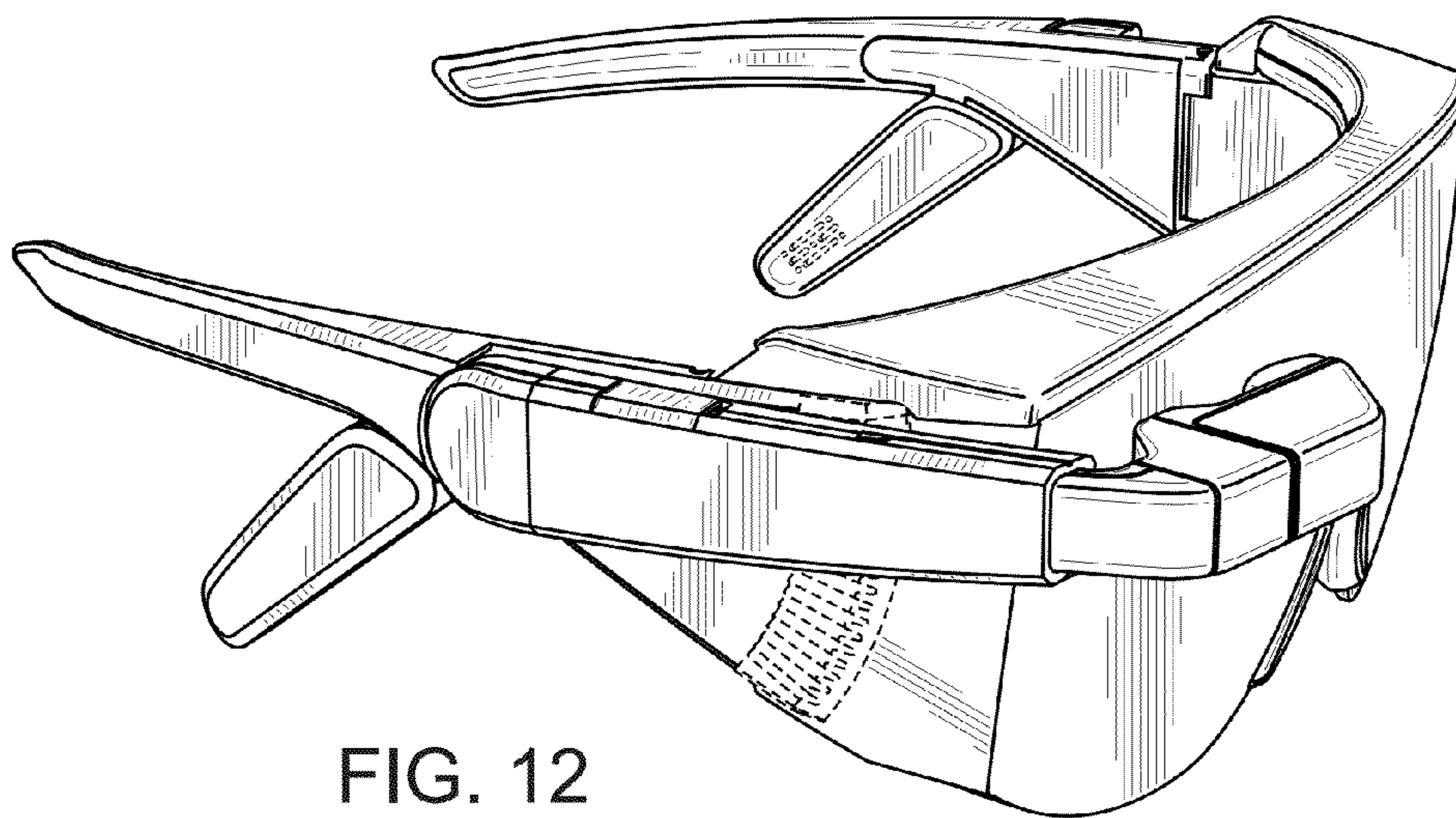


FIG. 12



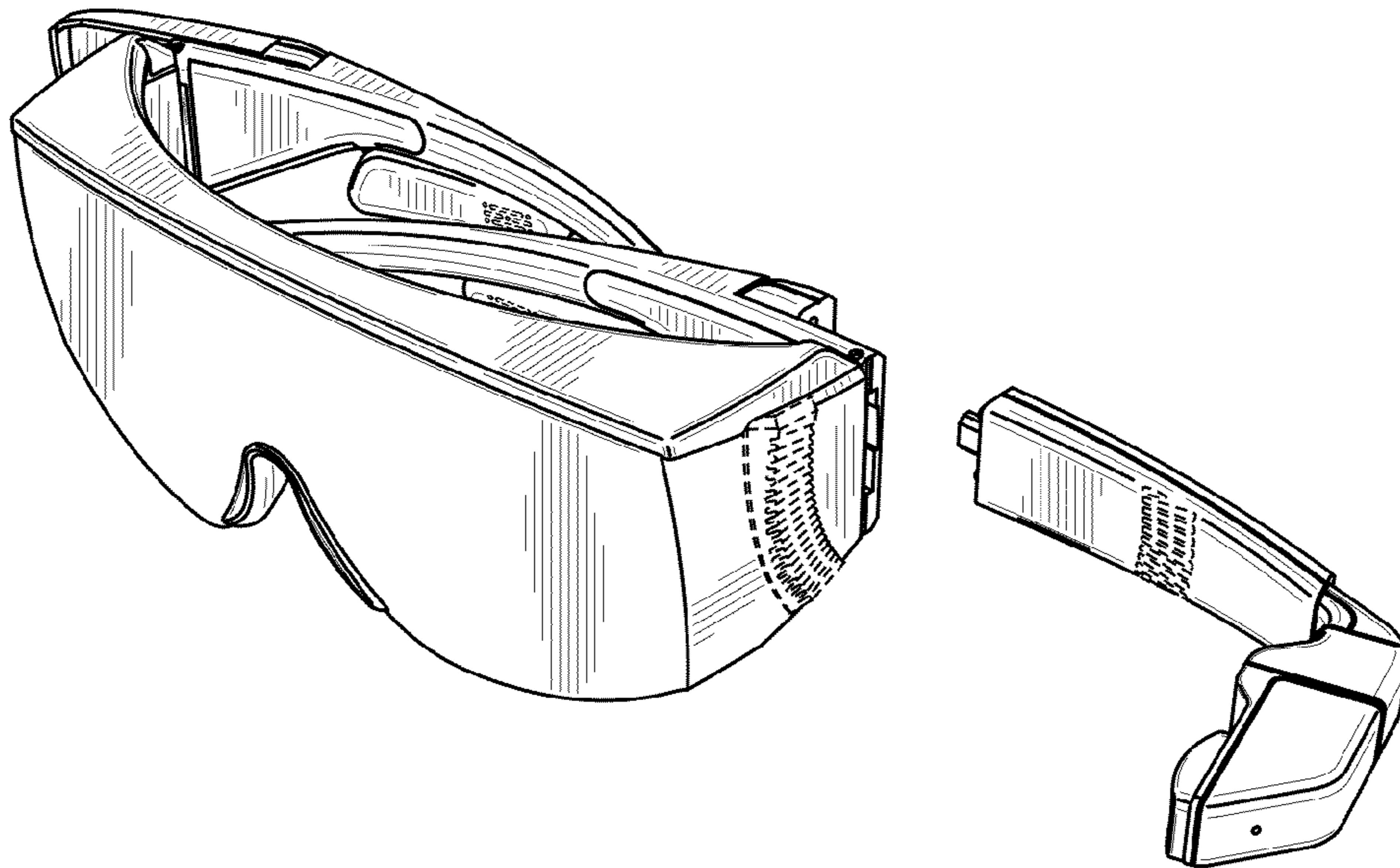


FIG. 13

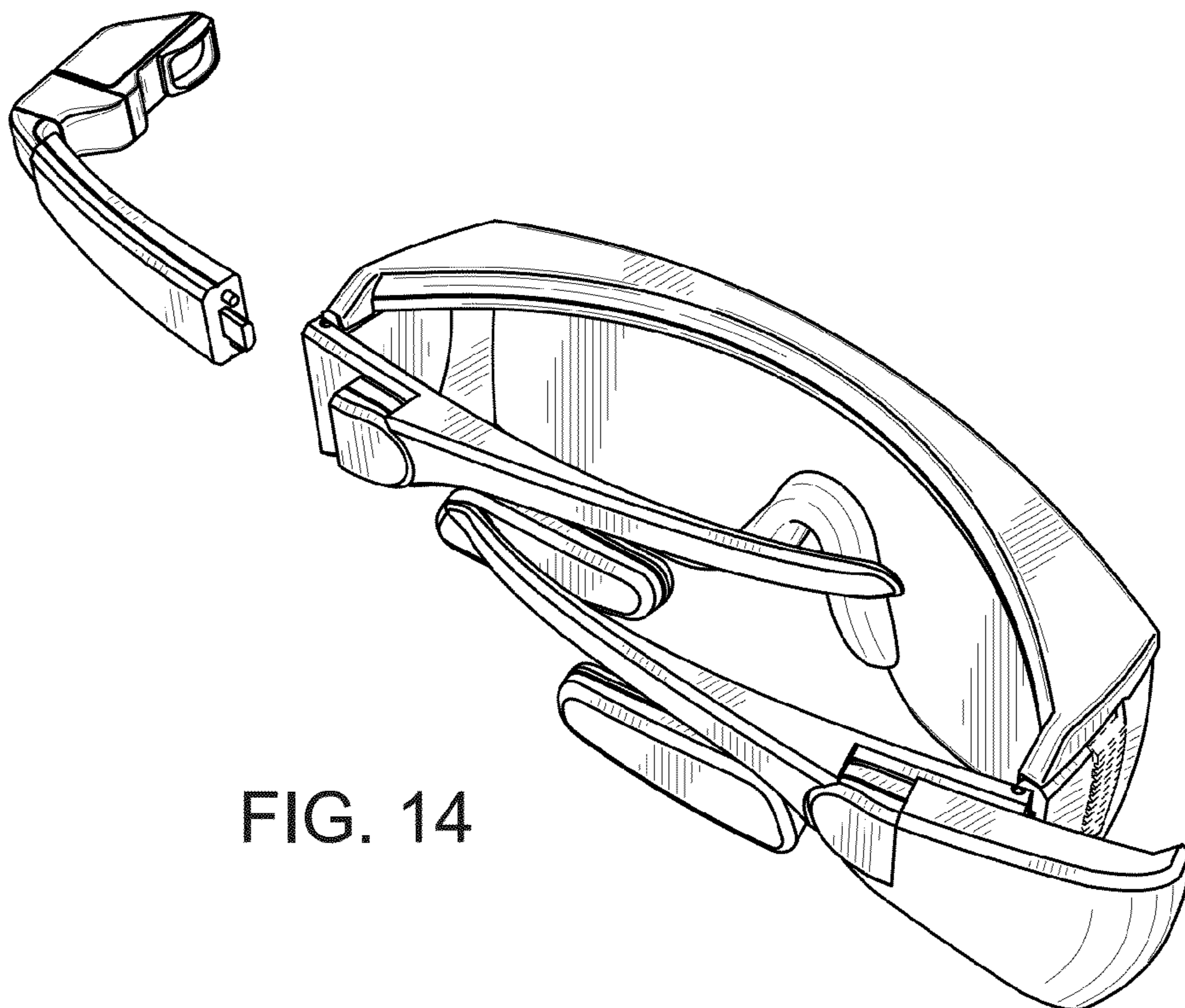


FIG. 14