



US00D716363S

(12) **United States Design Patent**  
**Apter**

(10) **Patent No.:** **US D716,363 S**

(45) **Date of Patent:** **\*\* Oct. 28, 2014**

(54) **FRAME WITH INSERT FOR MOUNTING  
MOBILE DEVICE TO TRIPOD**

2010/0038505 A1\* 2/2010 Sonnenberg ..... 248/226.11  
2010/0079101 A1 4/2010 Sidman

(Continued)

(71) Applicant: **Padcaster LLC**, New York, NY (US)

(72) Inventor: **Josh Apter**, New York, NY (US)

(73) Assignee: **Padcaster LLC**, New York, NY (US)

(\*\*) Term: **14 Years**

(21) Appl. No.: **29/434,285**

(22) Filed: **Oct. 11, 2012**

(51) **LOC (10) Cl.** ..... **14-02**

(52) **U.S. Cl.**  
USPC ..... **D16/245**

(58) **Field of Classification Search**  
USPC ..... D3/263; D8/354, 394, 395; D14/217,  
D14/511; D16/200–204, 208, 218, 219,  
D16/235, 237, 242–245, 250; 248/176.1,  
248/177.1, 178.1, 179.1, 180.1, 183.1,  
248/187.1, 683; 348/373, 375; 396/373,  
396/419, 420, 437, 439, 535, 536, 538  
See application file for complete search history.

(56) **References Cited**

**U.S. PATENT DOCUMENTS**

D443,632 S *	6/2001	Johansson	.....	D16/237
6,738,571 B2	5/2004	Takeda		
7,304,837 B2	12/2007	Lo et al.		
7,551,225 B2	6/2009	Overstreet		
8,007,188 B2	8/2011	Orf		
8,014,142 B2	9/2011	Prest et al.		
D675,210 S	1/2013	Kim		
D689,537 S *	9/2013	Campbell et al.	.....	D16/237
D695,297 S *	12/2013	Sun et al.	.....	D14/440
D696,670 S *	12/2013	Schiller et al.	.....	D14/440
2002/0140847 A1	10/2002	Alessio et al.		
2006/0093348 A1	5/2006	Squillace		
2009/0111543 A1	4/2009	Tai et al.		

**FOREIGN PATENT DOCUMENTS**

RU 2280959 C2 7/2006

**OTHER PUBLICATIONS**

Office Action issued Nov. 8, 2013 in U.S. Appl. No. 13/650,335 by Apter.

(Continued)

*Primary Examiner* — Susan Bennett Hattan

*Assistant Examiner* — Leanne Was

(74) *Attorney, Agent, or Firm* — Panitch Schwarze Belisario & Nadel LLP

(57) **CLAIM**

The ornamental design for a frame with insert for mounting mobile device to tripod, as shown and described.

**DESCRIPTION**

FIG. 1 is a front elevational view of a frame with an insert disposed in the frame in accordance with an embodiment of my design;

FIG. 2 is a rear elevational view thereof;

FIG. 3 is a front perspective view thereof;

FIG. 4 is a rear perspective view thereof;

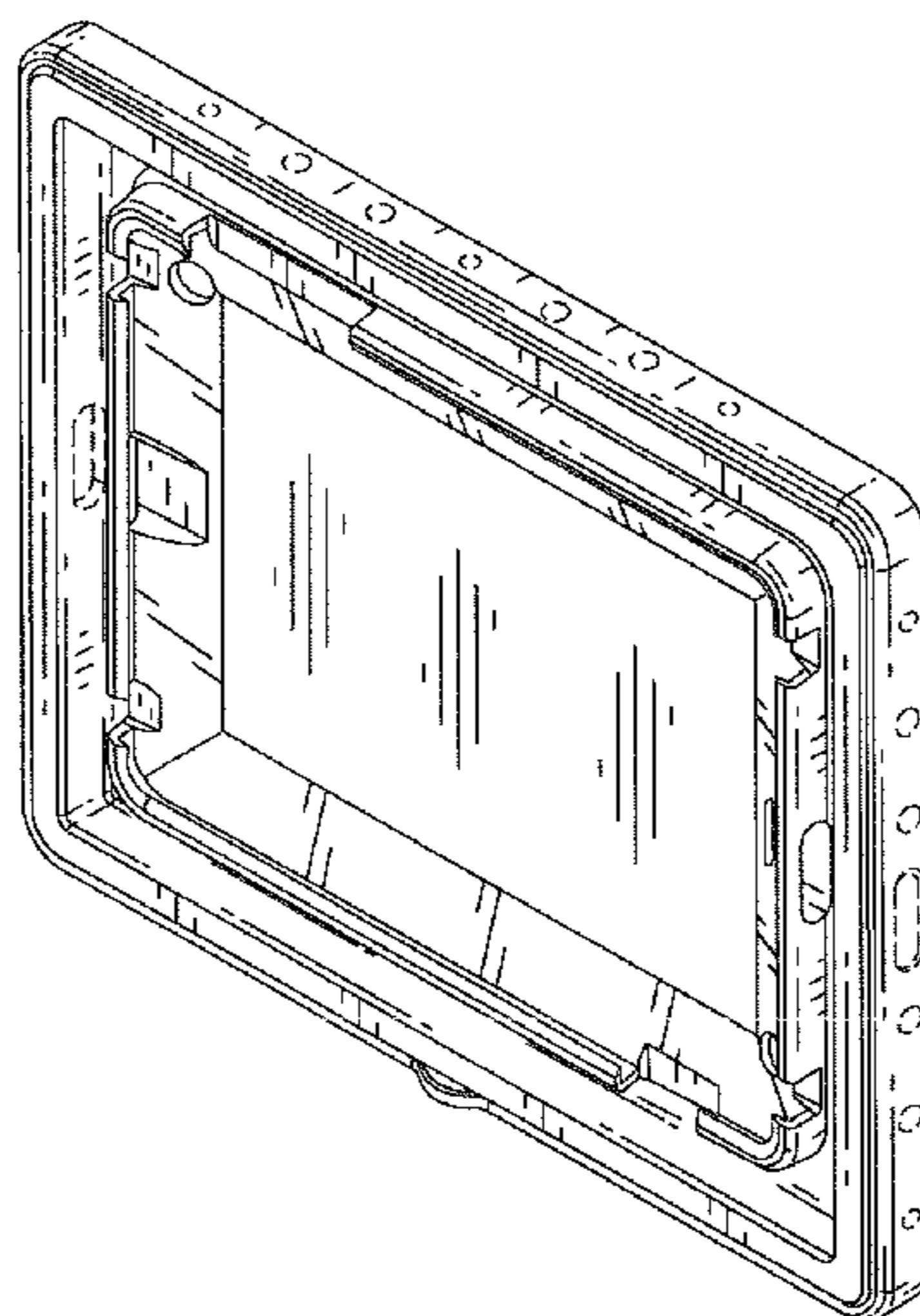
FIG. 5 is a top plan view thereof;

FIG. 6 is a bottom plan view thereof; and,

FIG. 7 is a right side elevational view thereof, wherein the left side elevational view is identical.

The broken lines in the figures are for the purpose of showing environmental structure and form no part of the claimed design.

**1 Claim, 4 Drawing Sheets**



(56)

**References Cited**

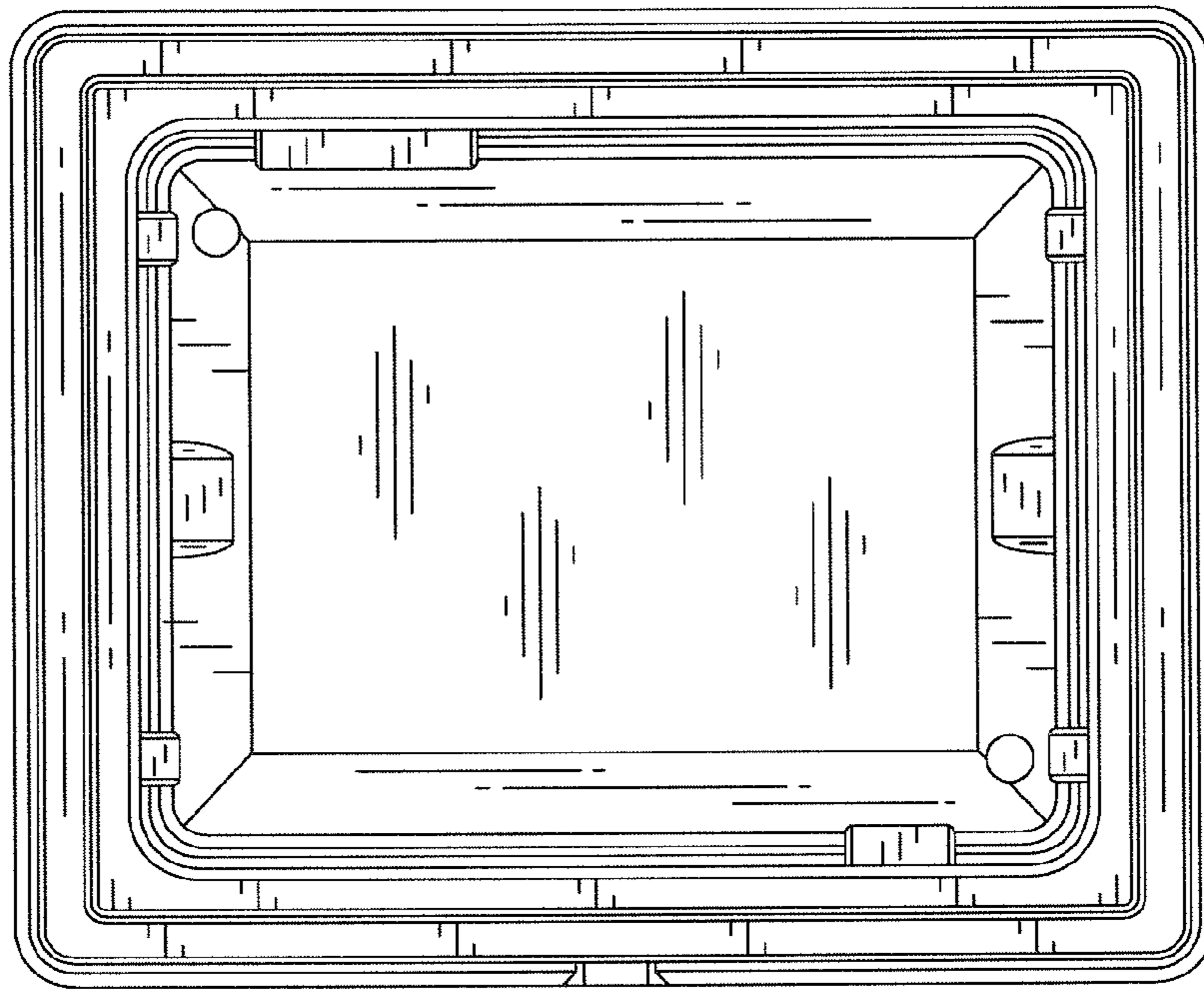
**OTHER PUBLICATIONS**

U.S. PATENT DOCUMENTS

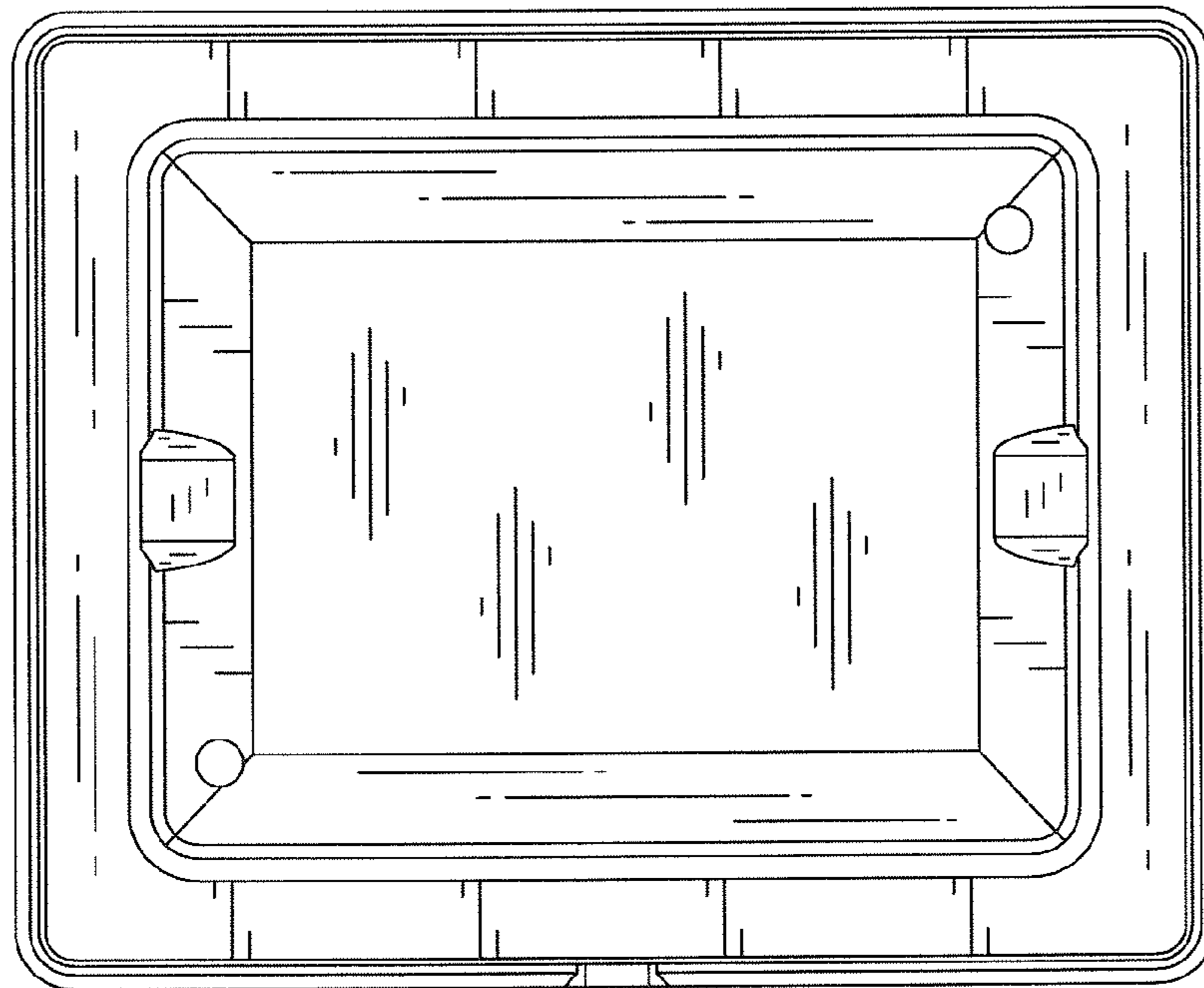
2011/0064401 A1 3/2011 Desorbo  
2011/0069947 A1 3/2011 Orf  
2011/0129210 A1 6/2011 McGucken  
2011/0205425 A1 8/2011 Duncan et al.  
2011/0222238 A1 9/2011 Staats et al.  
2012/0043236 A1 2/2012 Szucs et al.  
2012/0062691 A1 3/2012 Fowler et al.  
2012/0321294 A1\* 12/2012 Tages et al. .... 396/535  
2013/0094846 A1 4/2013 Apter

Makayama product website, www.makayama.com, archived Jan. 12, 2012, <https://web.archive.org/web/20120112095553/http://www.makayama.com/moviemount.html>. Accessed Oct. 31, 2013.  
www.Focalprice.com. [https://web.archive.org/web/20120108015640/http://www.focalprice.com/ID395S/Slim\\_Foldable\\_Polyurethane\\_Smart\\_Cover\\_for\\_iPad\\_2\\_Gray.html](https://web.archive.org/web/20120108015640/http://www.focalprice.com/ID395S/Slim_Foldable_Polyurethane_Smart_Cover_for_iPad_2_Gray.html). Archived Jan. 8, 2012. Accessed Oct. 31, 2013.  
Int'l Search Report and Written Opinion issued Jan. 11, 2013 in Int'l Application No. PCT/US2012/059972.

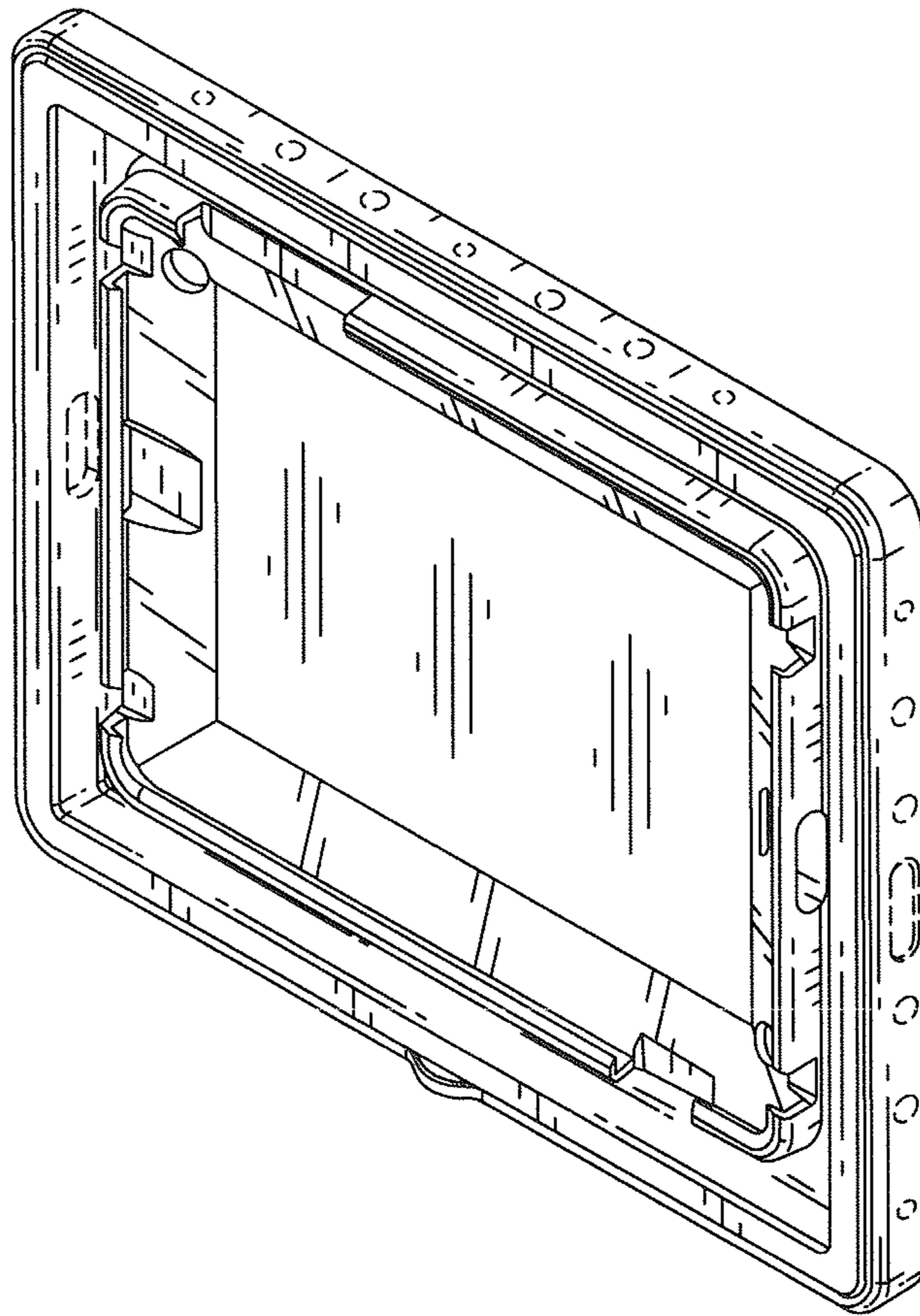
\* cited by examiner



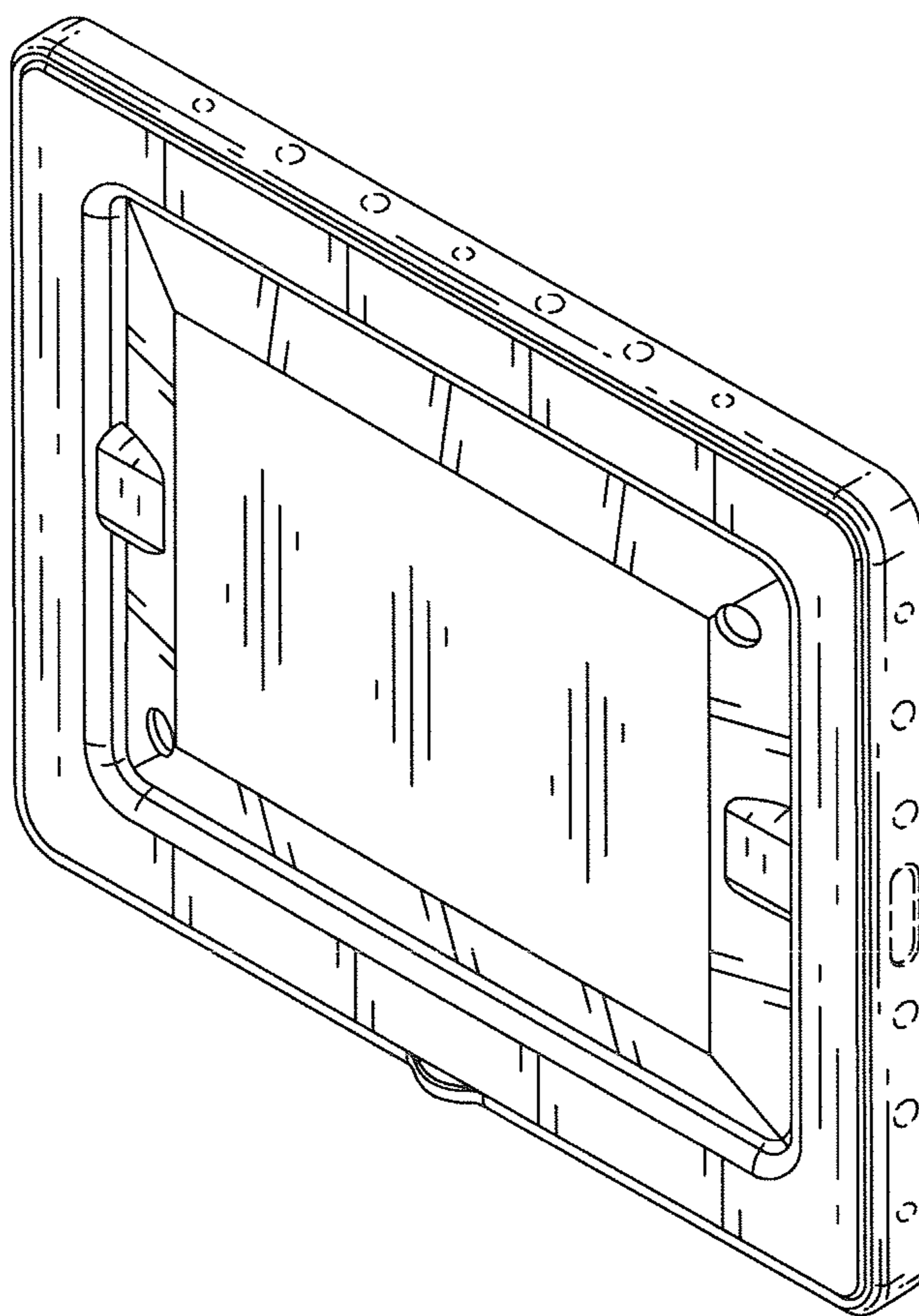
*Fig. 1*



*Fig. 2*



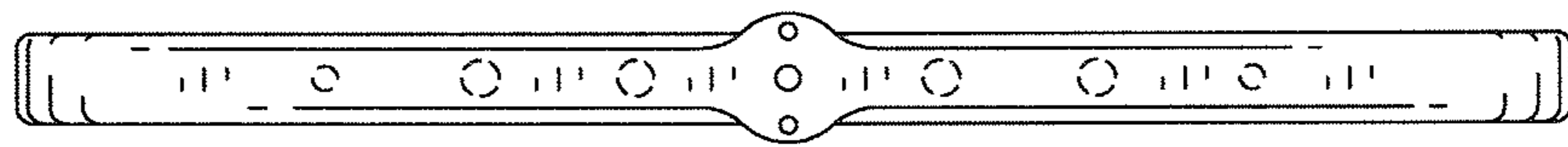
*Fig. 3*



*Fig. 4*



*Fig. 5*



*Fig. 6*



*Fig. 7*