



US00D716362S

(12) **United States Design Patent**
Generotti

(10) **Patent No.:** **US D716,362 S**
(45) **Date of Patent:** **** Oct. 28, 2014**

- (54) **AERODYNAMIC FAIRING FOR AUDIOVISUAL DEVICE**
- (71) Applicant: **Jason Generotti**, Plantation, FL (US)
- (72) Inventor: **Jason Generotti**, Plantation, FL (US)
- (**) Term: **14 Years**
- (21) Appl. No.: **29/467,308**
- (22) Filed: **Sep. 18, 2013**
- (51) **LOC (10) Cl.** **16-05**
- (52) **U.S. Cl.**
USPC **D16/237**
- (58) **Field of Classification Search**
USPC D16/134, 136, 200, 202, 218, 219, 237,
D16/238, 239, 242, 245, 250; 348/373, 374;
362/3, 16-18, 182, 552; 396/419, 540,
396/541; D8/323, 331, 349, 354; D26/118;
224/545
See application file for complete search history.

- D316,421 S * 4/1991 Shinano et al. D16/237
- D342,273 S * 12/1993 Couch D16/237
- D373,132 S * 8/1996 Baillie-Hamilton et al. D16/237
- D376,501 S * 12/1996 Spaseska D6/518
- D434,515 S * 11/2000 McNamara D26/63
- D494,993 S * 8/2004 Uehara et al. D16/219
- D578,151 S * 10/2008 Fong D16/237
- D605,217 S * 12/2009 Kobre D16/237
- 2008/0310140 A1* 12/2008 Capozzi 362/16

* cited by examiner

Primary Examiner — Robert M Spear

Assistant Examiner — Marissa Cash

(74) *Attorney, Agent, or Firm* — Geoffrey Lottenberg, Esq.

(57) **CLAIM**

The ornamental design for an aerodynamic fairing for an audiovisual device, as shown and described.

DESCRIPTION

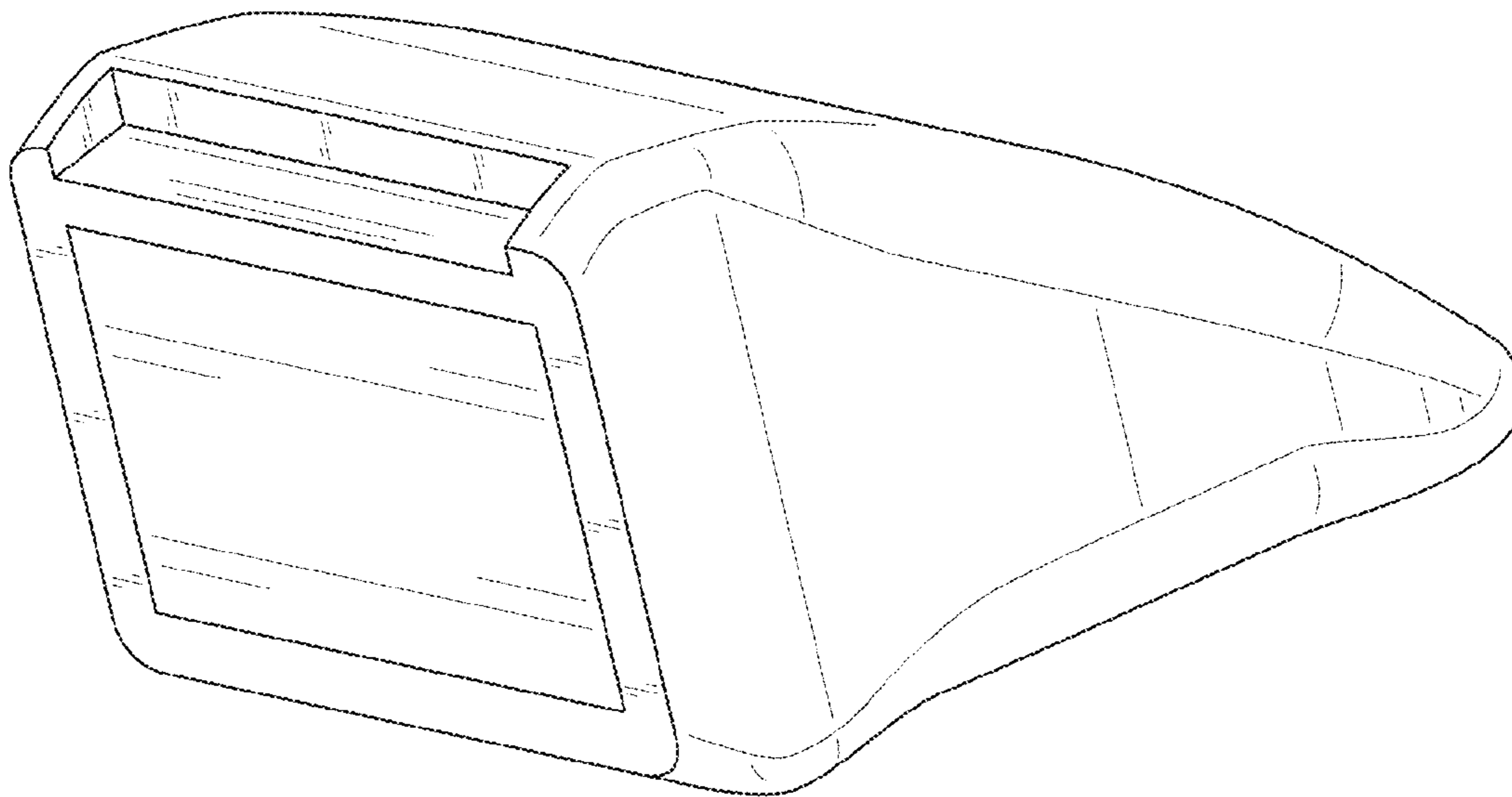
FIG. 1 is a perspective view of the aerodynamic fairing for an audiovisual device, showing the new design;
 FIG. 2 is a front side elevation view of the aerodynamic fairing;
 FIG. 3 is a rear side elevation view of the aerodynamic fairing;
 FIG. 4 is a left elevation view of the aerodynamic fairing;
 FIG. 5 is a right elevation view of the aerodynamic fairing;
 FIG. 6 is a top elevation view of the aerodynamic fairing; and,
 FIG. 7 is a bottom elevation view of the aerodynamic fairing.

1 Claim, 5 Drawing Sheets

(56) **References Cited**

U.S. PATENT DOCUMENTS

- D223,549 S * 5/1972 Vinson D16/237
- D271,822 S * 12/1983 Clancy D3/267
- 4,653,884 A * 3/1987 Johnson et al. 396/419



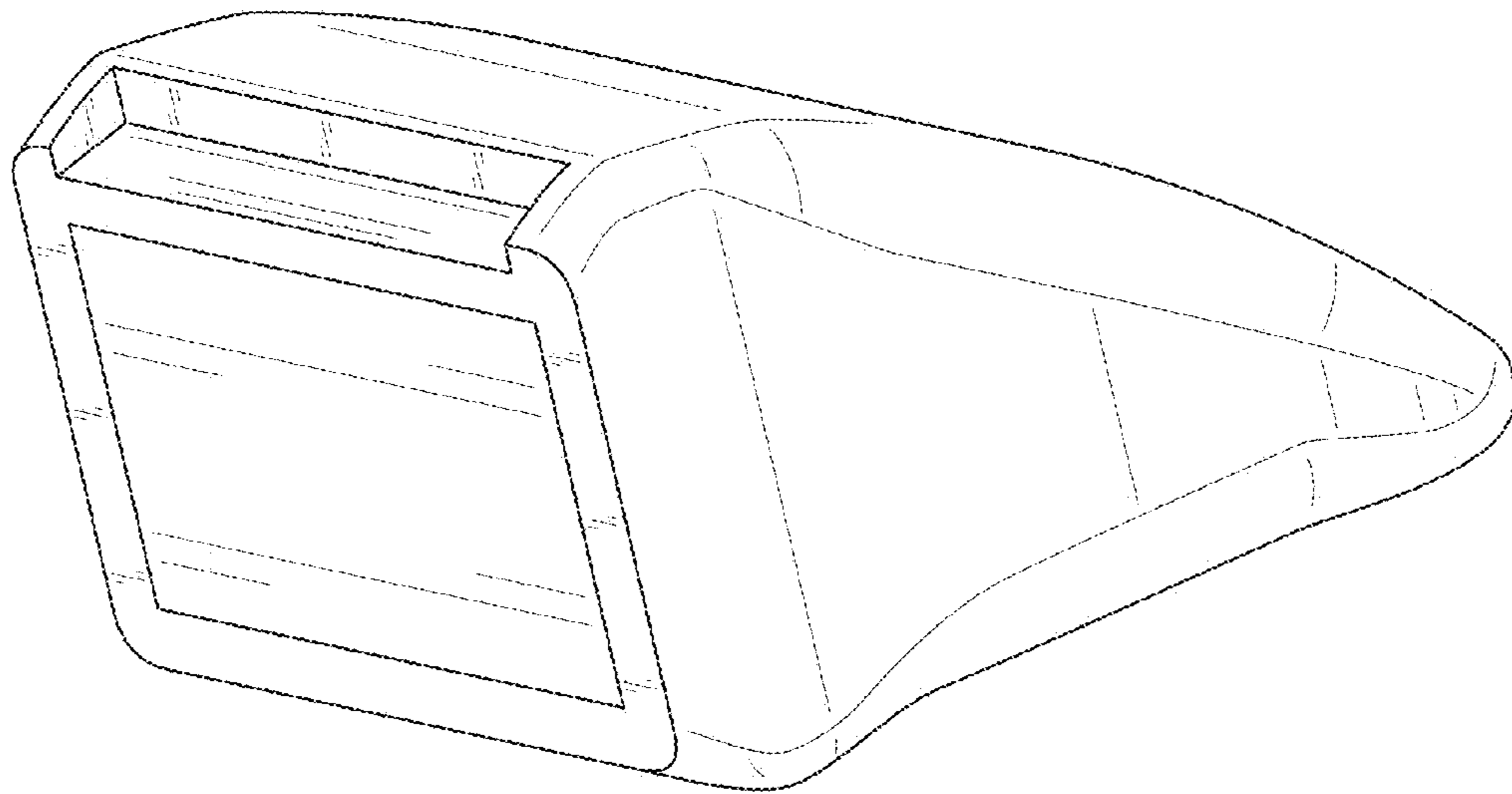


FIG. 1

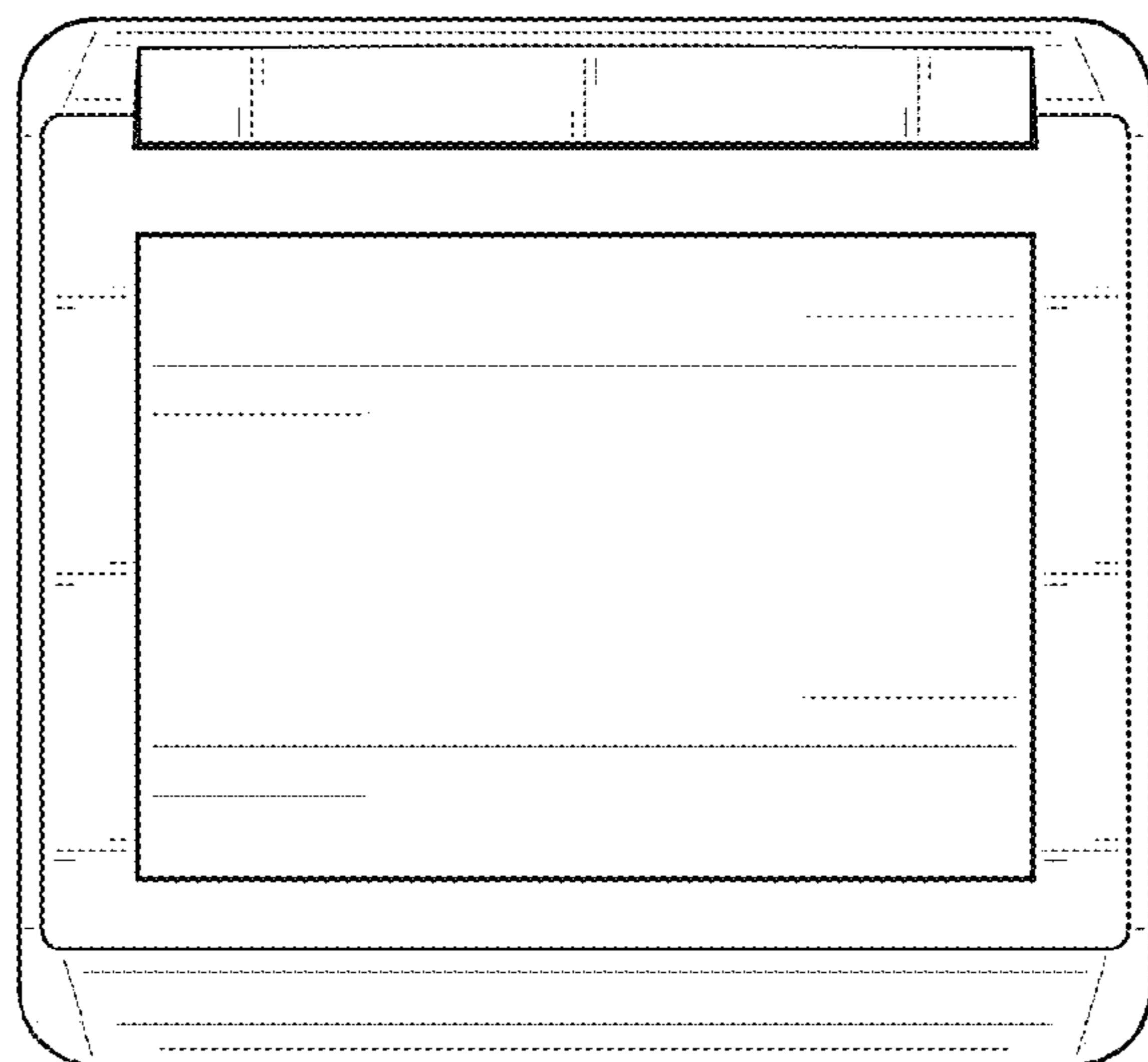


FIG. 2

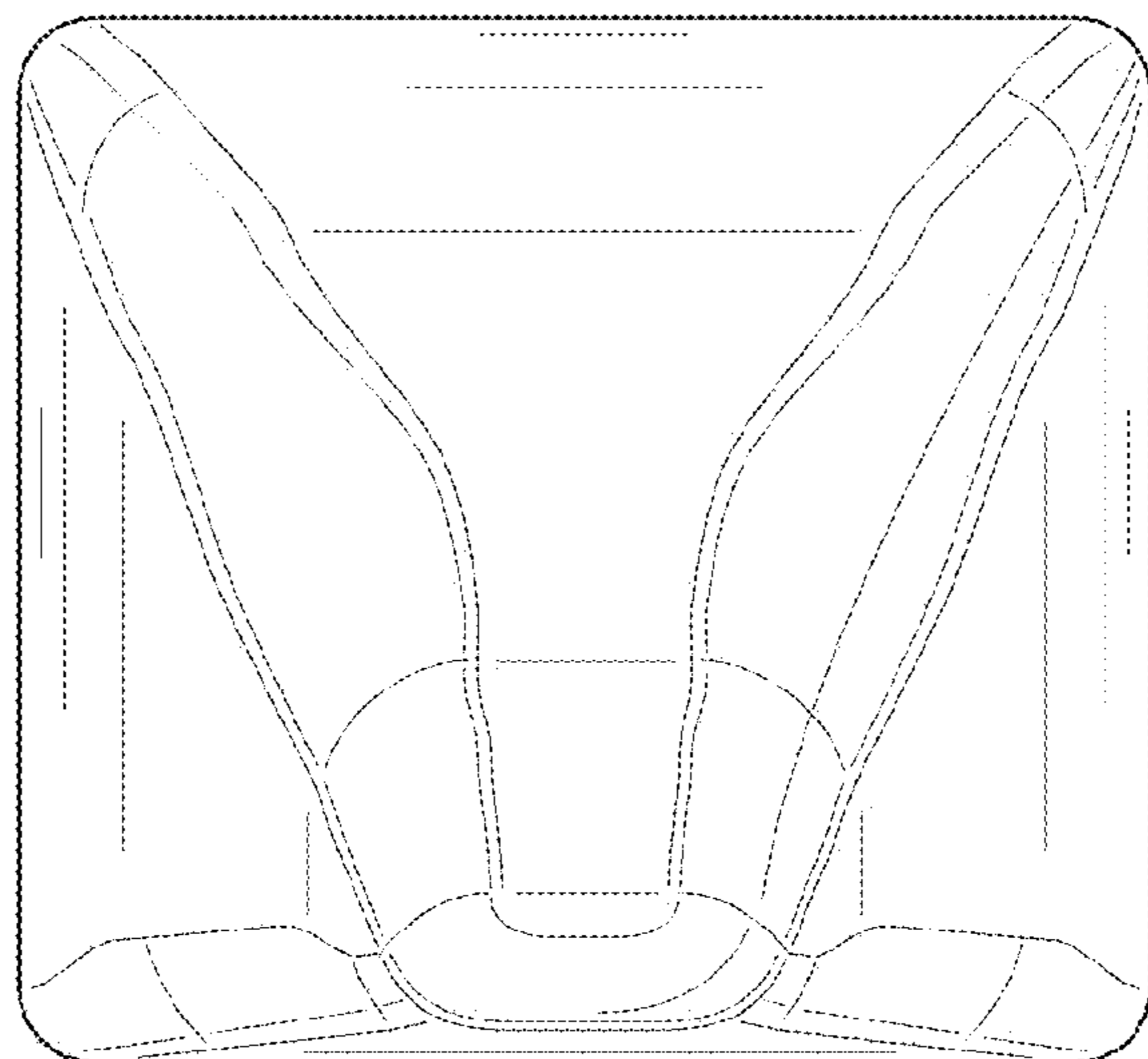


FIG. 3

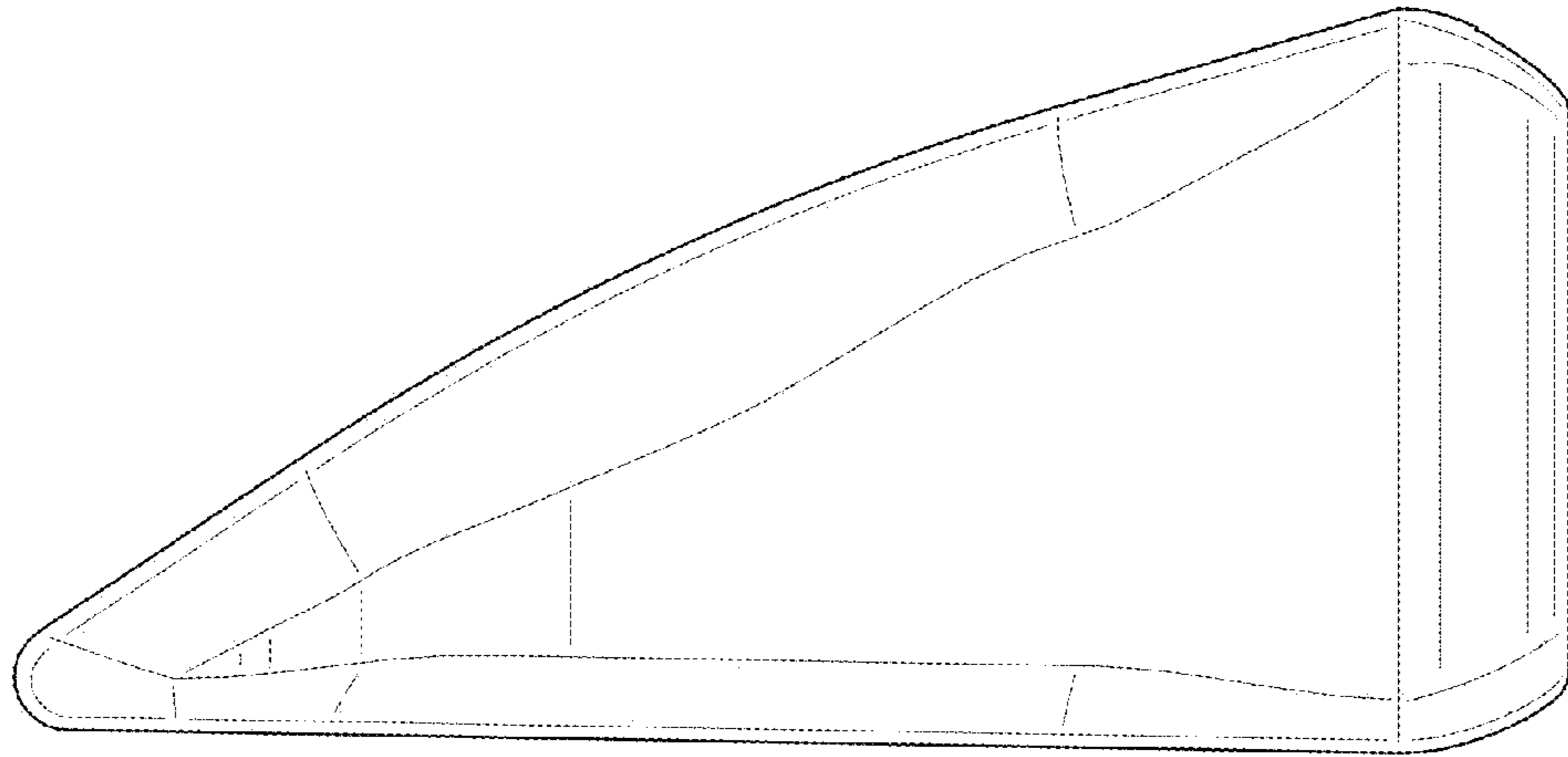


FIG. 4

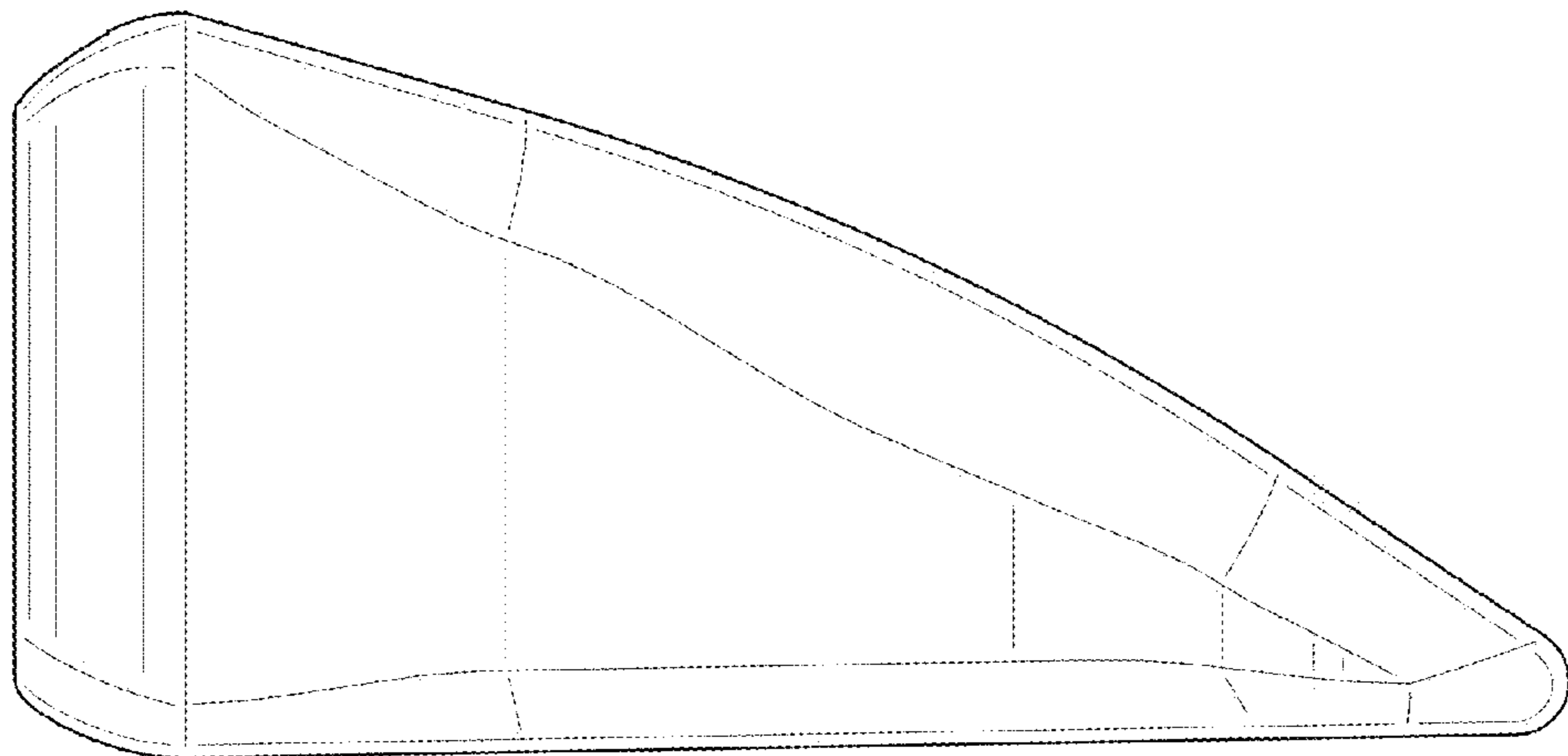


FIG. 5

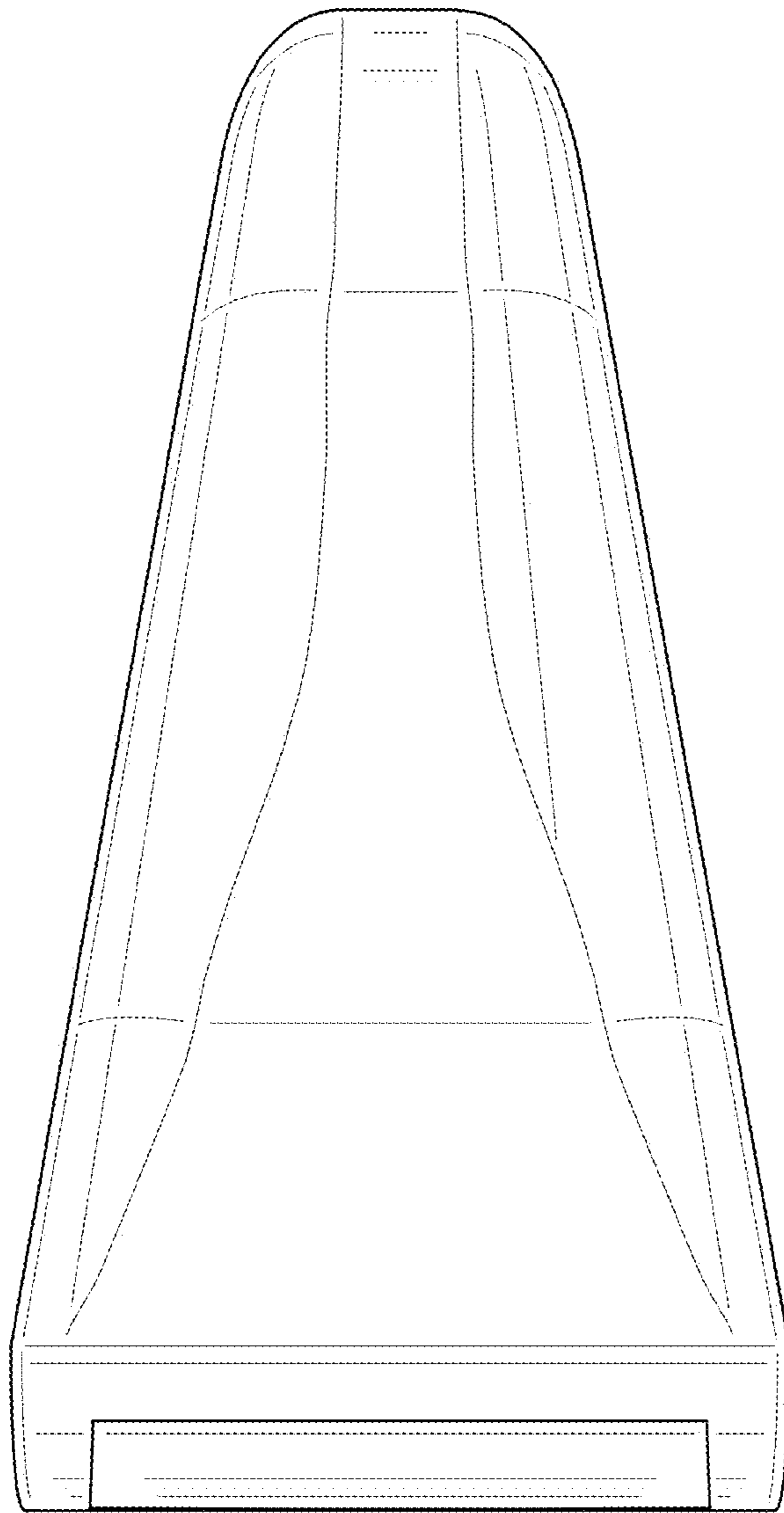


FIG. 6

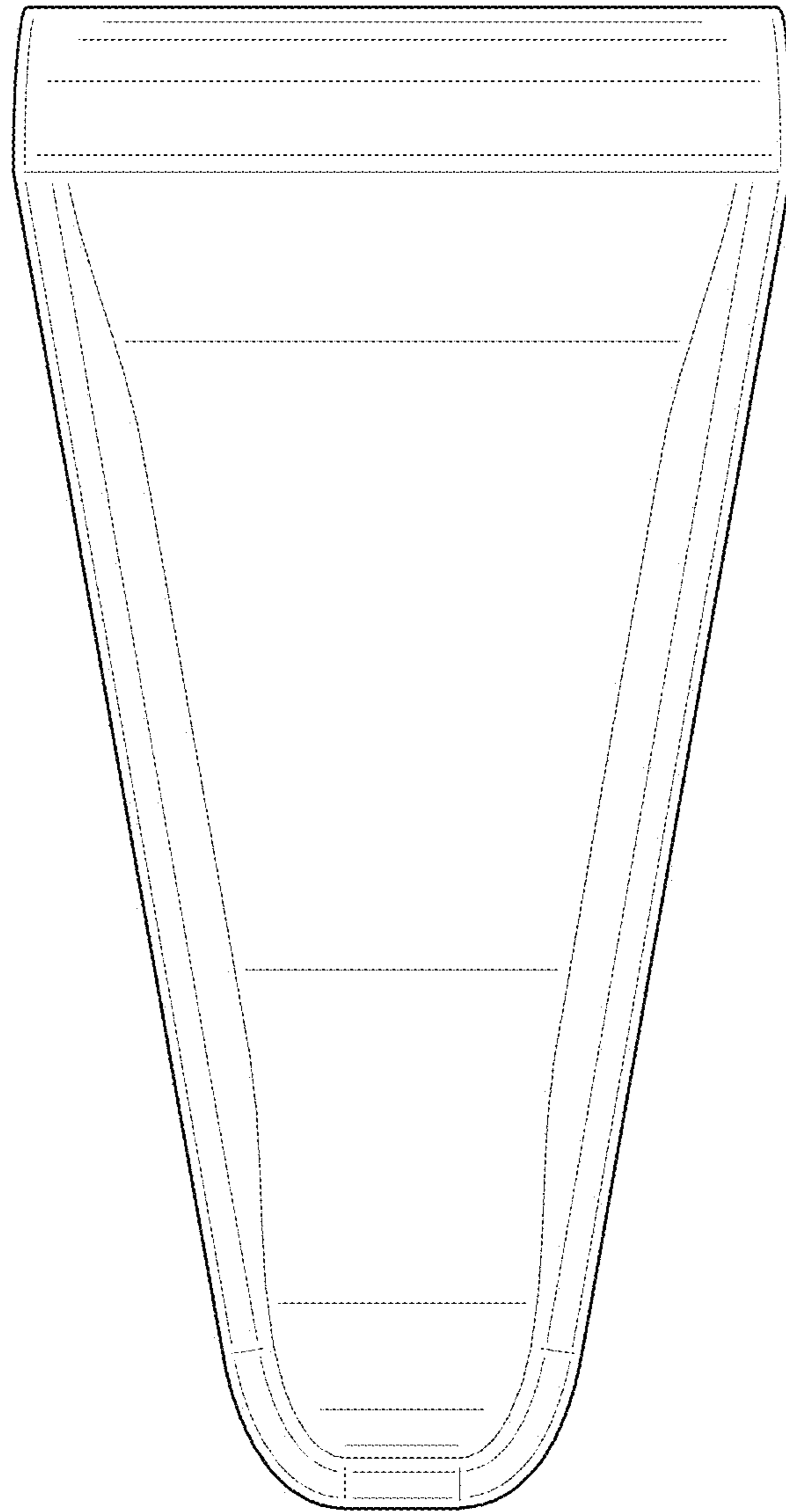


FIG. 7