



US00D716361S

(12) **United States Design Patent**
Tsuge

(10) **Patent No.:** **US D716,361 S**

(45) **Date of Patent:** **** Oct. 28, 2014**

(54) **LENS-STYLE CAMERA**

(71) Applicant: **Sony Corporation**, Tokyo (JP)

(72) Inventor: **Takahiro Tsuge**, Tokyo (JP)

(73) Assignee: **Sony Corporation**, Tokyo (JP)

(**) Term: **14 Years**

(21) Appl. No.: **29/483,645**

(22) Filed: **Feb. 28, 2014**

Related U.S. Application Data

(63) Continuation of application No. 29/480,308, filed on Jan. 24, 2014.

(30) **Foreign Application Priority Data**

Jul. 24, 2013	(JP)	D2013-016889
Jul. 24, 2013	(JP)	D2013-016890
Jul. 24, 2013	(JP)	D2013-016891
Aug. 21, 2013	(JP)	D2013-019100
Aug. 21, 2013	(JP)	D2013-019101
Aug. 21, 2013	(JP)	D2013-019102
Aug. 23, 2013	(JP)	D2013-019379
Aug. 23, 2013	(JP)	D2013-019380
Aug. 23, 2013	(JP)	D2013-019381
Aug. 23, 2013	(JP)	D2013-019382
Aug. 23, 2013	(JP)	D2013-019383

(51) **LOC (10) Cl.** **16-01**

(52) **U.S. Cl.**
USPC **D16/218**

(58) **Field of Classification Search**
USPC D16/200, 202, 208, 218, 219; 348/373,
348/374; 396/529-532, 535-541
See application file for complete search history.

(56) **References Cited**

U.S. PATENT DOCUMENTS

517,539	A *	4/1894	Casler	396/336
3,394,644	A *	7/1968	Ettischer	396/529
D268,764	S *	4/1983	Seckendorf et al.	D16/218

(Continued)

FOREIGN PATENT DOCUMENTS

JP	D1074521	S	6/2000
JP	D1081589	S	7/2000

(Continued)

OTHER PUBLICATIONS

Web page, "WVIL: Camera Futura", <http://www.artefactgroup.com/content/camera-futura-s/>, 9 sheets, Artefact Group, Jan. 11, 2011.

Primary Examiner — Adir Aronovich

(74) *Attorney, Agent, or Firm* — Rader, Fishman & Grauer PLLC

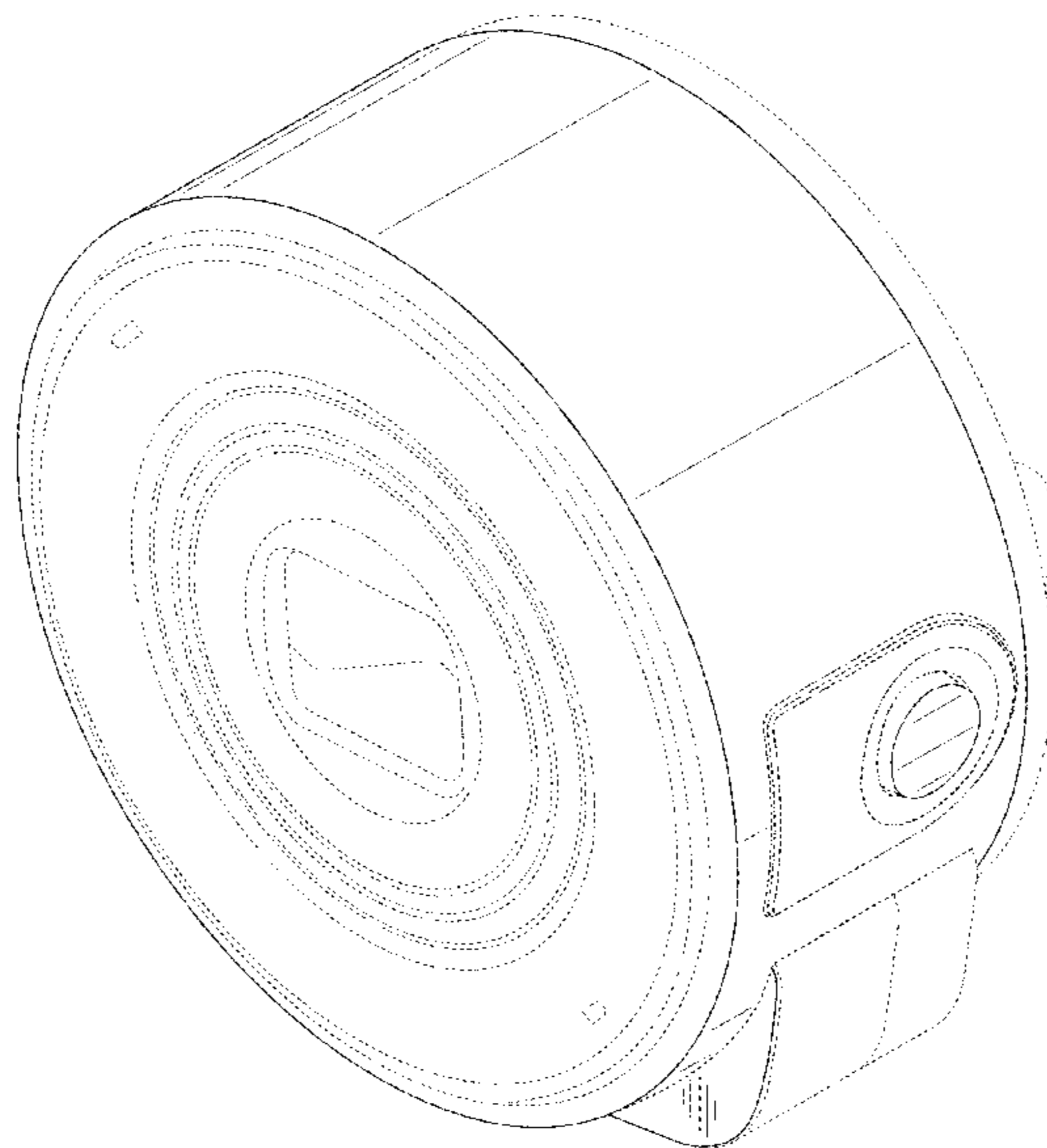
(57) **CLAIM**

The ornamental design for a lens-style camera, as shown and described.

DESCRIPTION

FIG. 1 is a front, top and right side perspective view of a lens-style camera showing my new design;
FIG. 2 is a rear, bottom and left side perspective view thereof;
FIG. 3 is a front elevational view thereof;
FIG. 4 is a rear elevational view thereof;
FIG. 5 is a right side elevational view thereof;
FIG. 6 is a left side elevational view thereof;
FIG. 7 is a top plan view thereof; and,
FIG. 8 is a bottom plan view thereof.
The broken lines depict the portions of a camera in which the design is embodied and form no part of the claimed design.

1 Claim, 6 Drawing Sheets



(56)

References Cited

U.S. PATENT DOCUMENTS

4,508,443 A 4/1985 Matsuzaki et al.
 4,627,699 A 12/1986 Takagi
 D302,169 S 7/1989 Kimura et al.
 D302,684 S 8/1989 Akagi et al.
 D303,976 S 10/1989 Kimura et al.
 D310,676 S 9/1990 Charles
 D341,611 S 11/1993 Takahashi
 D347,235 S 5/1994 Ooi et al.
 D362,007 S 9/1995 Takahashi
 D412,922 S 8/1999 Sekine
 6,247,855 B1 6/2001 Motohashi et al.
 D445,816 S 7/2001 Tanaka
 D449,058 S 10/2001 Yamazaki et al.
 D449,322 S 10/2001 Ono et al.
 D474,221 S * 5/2003 Cheng D16/218
 D488,497 S 4/2004 Suzuki
 D527,755 S 9/2006 Wu
 D528,576 S 9/2006 Chung et al.
 D546,364 S 7/2007 Ito et al.
 D546,863 S 7/2007 Ito et al.
 D562,862 S 2/2008 Yasutomi
 D562,863 S 2/2008 Yasutomi
 D562,864 S 2/2008 Yasutomi
 D562,865 S 2/2008 Yasutomi
 D566,158 S 4/2008 Yasutomi
 7,382,556 B2 6/2008 Lee
 7,388,718 B2 6/2008 Makii et al.
 7,400,346 B2 7/2008 King et al.
 7,522,828 B2 * 4/2009 Doi et al. 396/530
 D624,577 S 9/2010 Kujawski et al.
 D634,767 S 3/2011 Ko
 D636,421 S 4/2011 Sagen et al.
 7,973,849 B2 7/2011 Oishi et al.
 7,988,372 B2 * 8/2011 Lee et al. 396/531
 8,085,485 B1 12/2011 Yamamoto et al.
 D664,583 S 7/2012 Asano et al.
 8,218,255 B2 7/2012 Katano
 D665,005 S 8/2012 Asano et al.

8,411,371 B2 4/2013 Li et al.
 D684,207 S 6/2013 Kim
 D696,709 S * 12/2013 Sato D16/219
 D697,119 S 1/2014 Park et al.
 D698,843 S * 2/2014 Hasuda D16/219
 8,678,678 B2 * 3/2014 Imura 396/419
 2005/0270414 A1 12/2005 Lee
 2006/0274184 A1 12/2006 Hayashi
 2007/0077062 A1 4/2007 Senba et al.
 2007/0222888 A1 9/2007 Xiao et al.
 2009/0324213 A1 12/2009 Wang
 2010/0061717 A1 3/2010 Iyoda et al.
 2010/0284081 A1 11/2010 Gutierrez et al.
 2012/0014004 A1 1/2012 Yamamoto et al.
 2012/0039595 A1 2/2012 Youn
 2013/0021686 A1 1/2013 Uehara
 2013/0148953 A1 6/2013 Imafuji
 2013/0265662 A1 10/2013 Araie et al.
 2014/0098278 A1 * 4/2014 Koyama et al. 348/335

FOREIGN PATENT DOCUMENTS

JP D1186623 S 10/2000
 JP D1094541 S 12/2000
 JP D1096863 S 1/2001
 JP D1293312 S 2/2007
 JP D1293871 S 2/2007
 JP D1293872 S 2/2007
 JP D1302308 S 6/2007
 JP D1413569 S 5/2011
 JP D1429052 S 12/2011
 JP D1429053 S 12/2011
 JP D1429602 S 12/2011
 JP D1429603 S 12/2011
 JP D1429604 S 12/2011
 JP D1433884 S 2/2012
 JP D1440857 S 5/2012
 JP D1449962 S 9/2012
 JP D1466104 S 4/2013

* cited by examiner

FIG.1

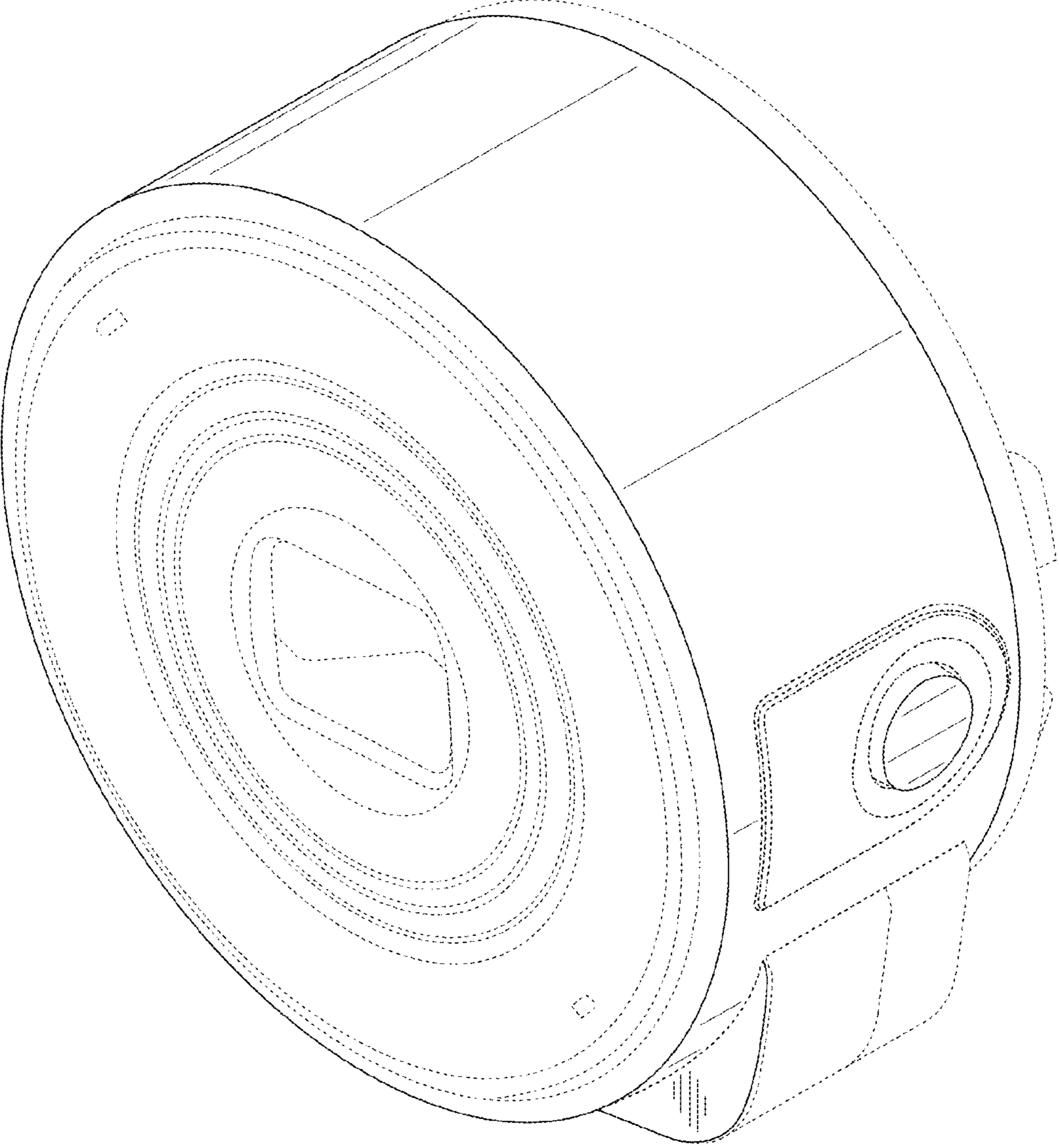


FIG.2

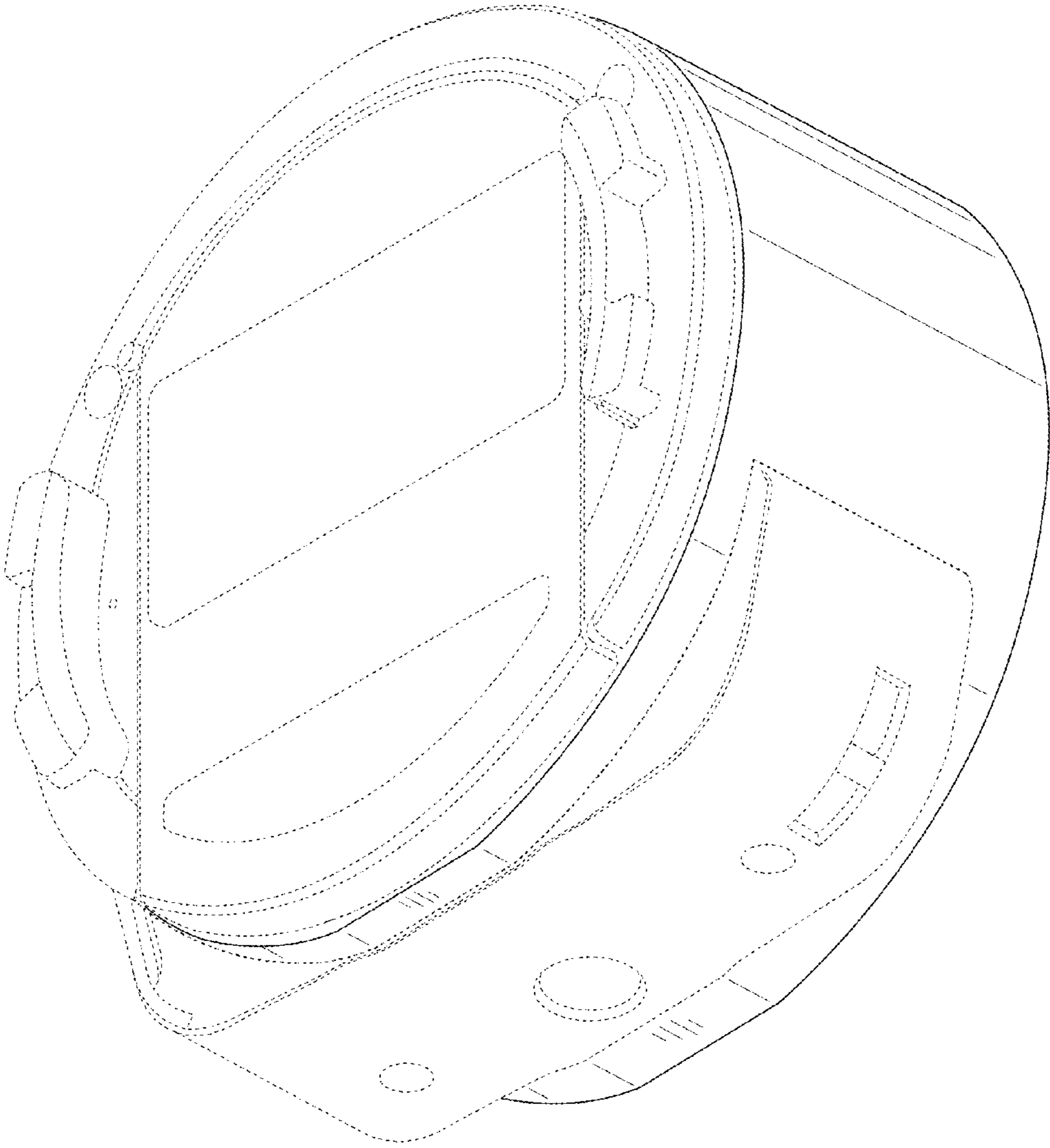


FIG.3

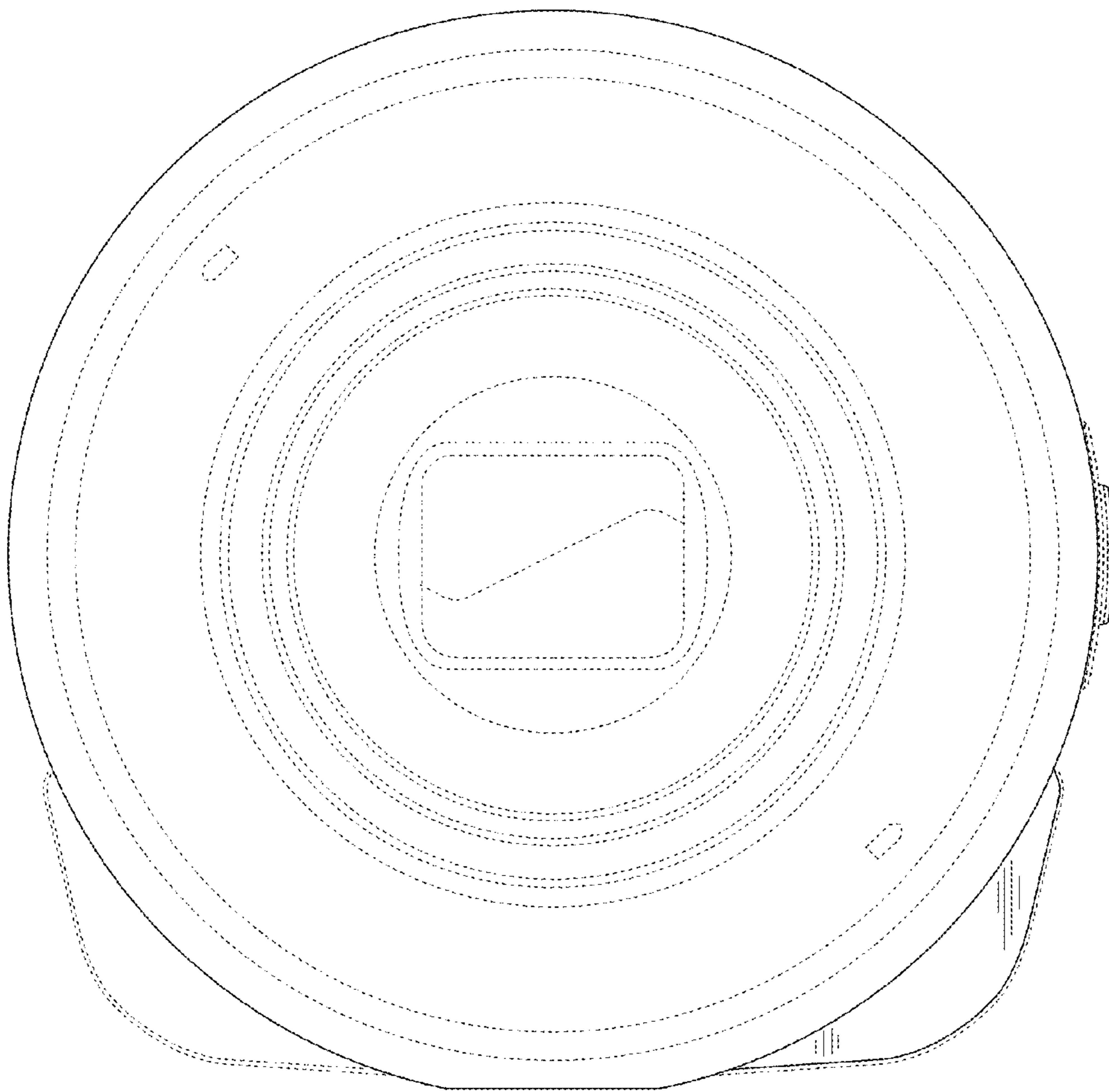


FIG.4

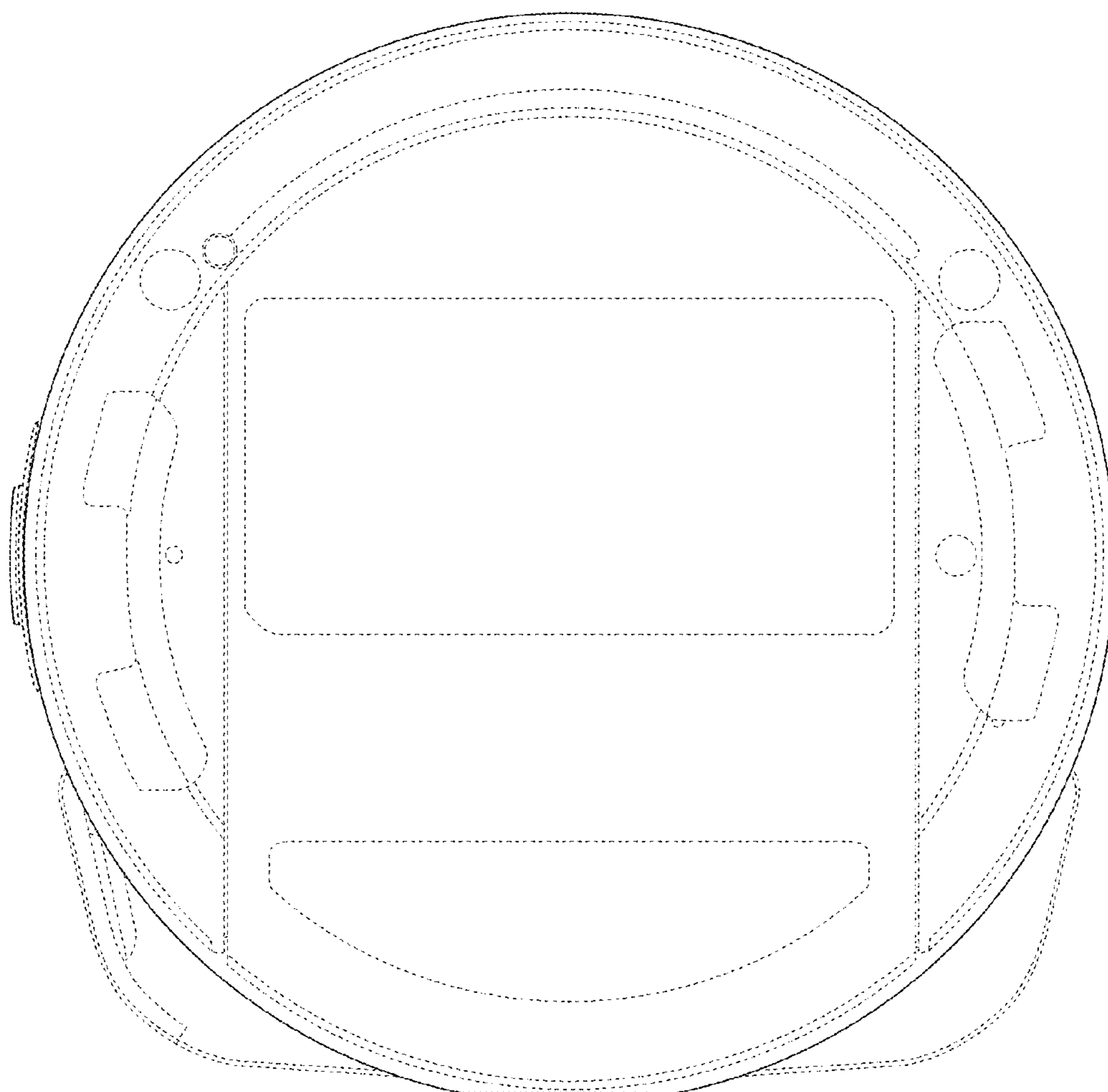


FIG.6

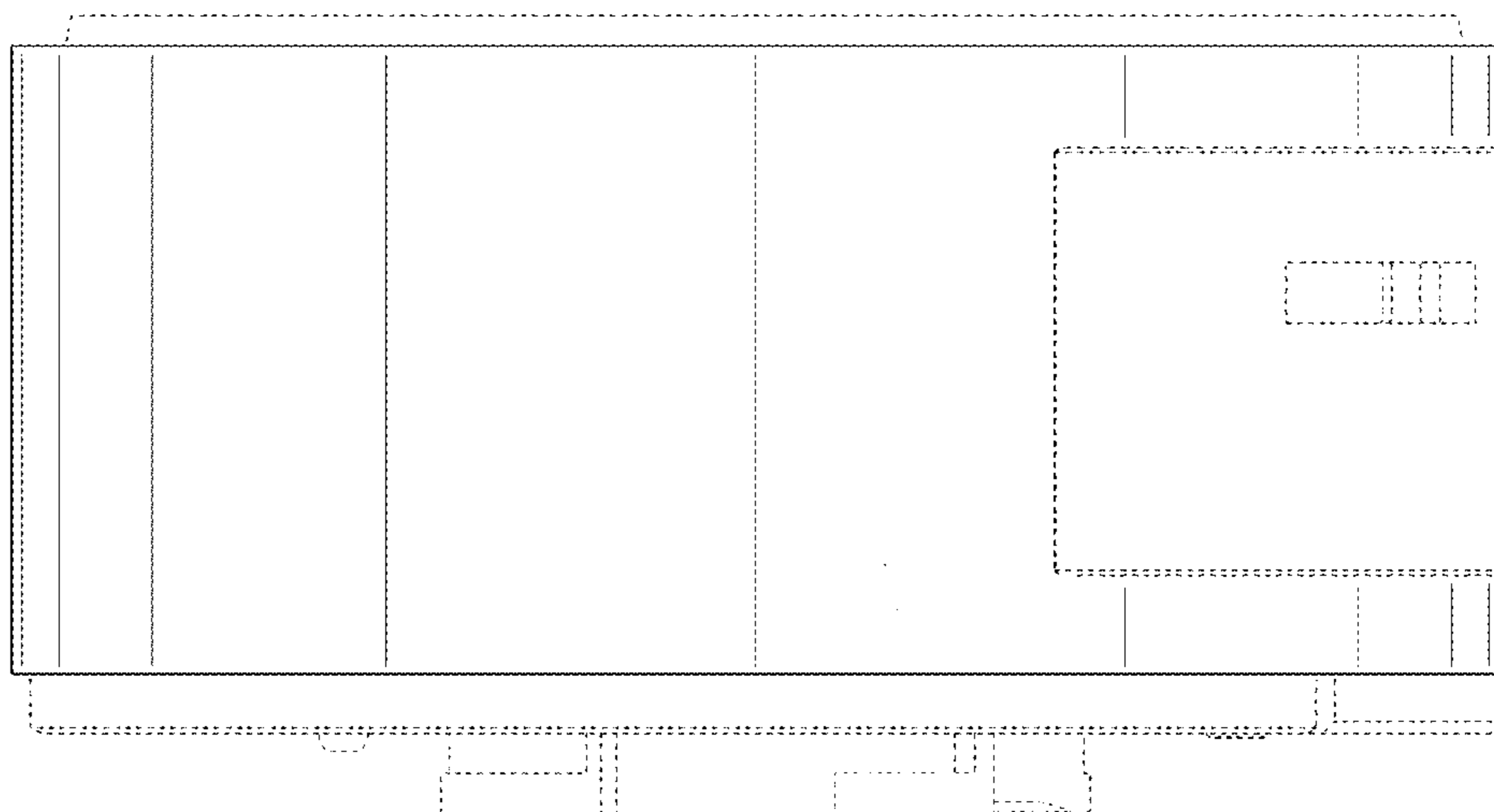


FIG.5

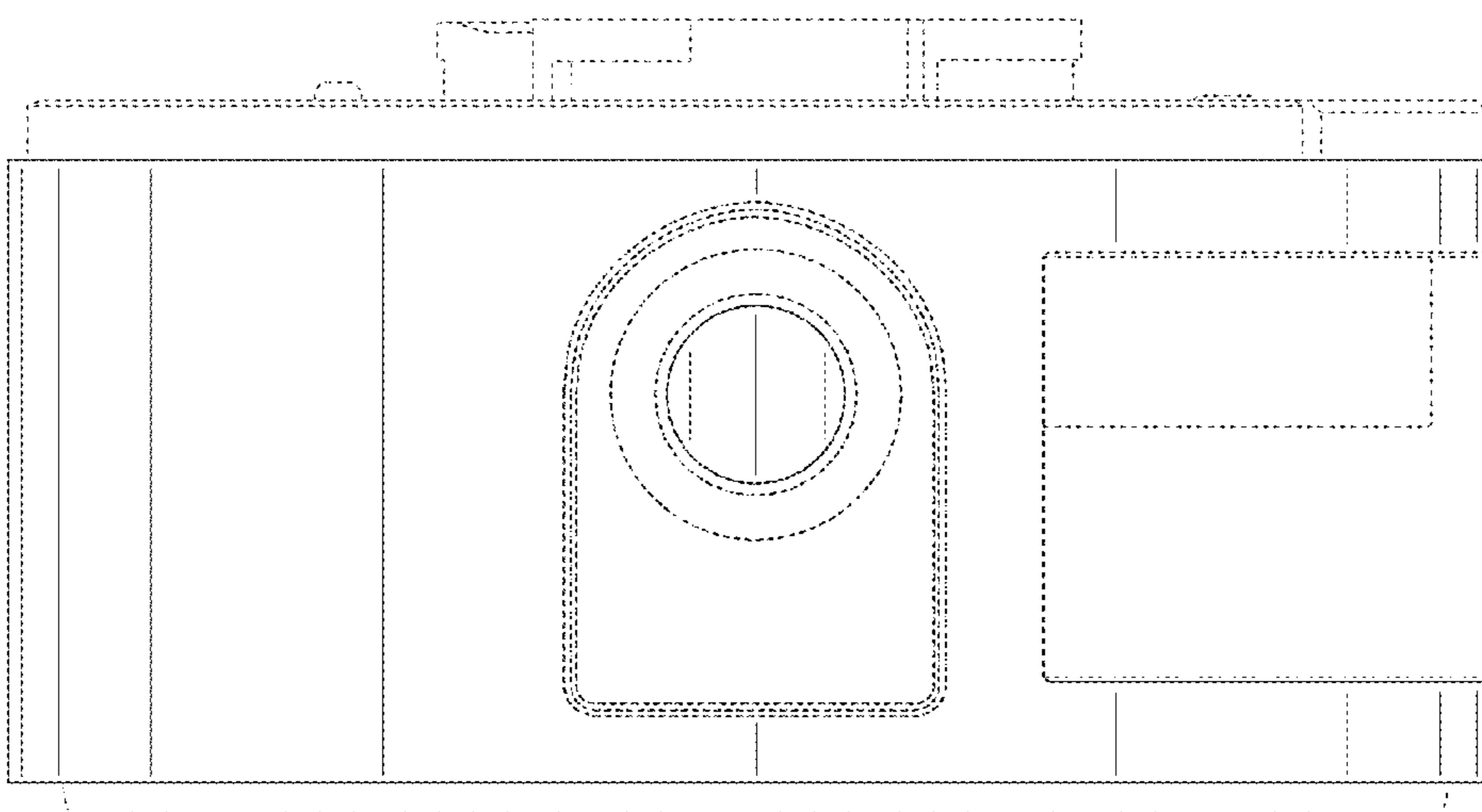


FIG.7

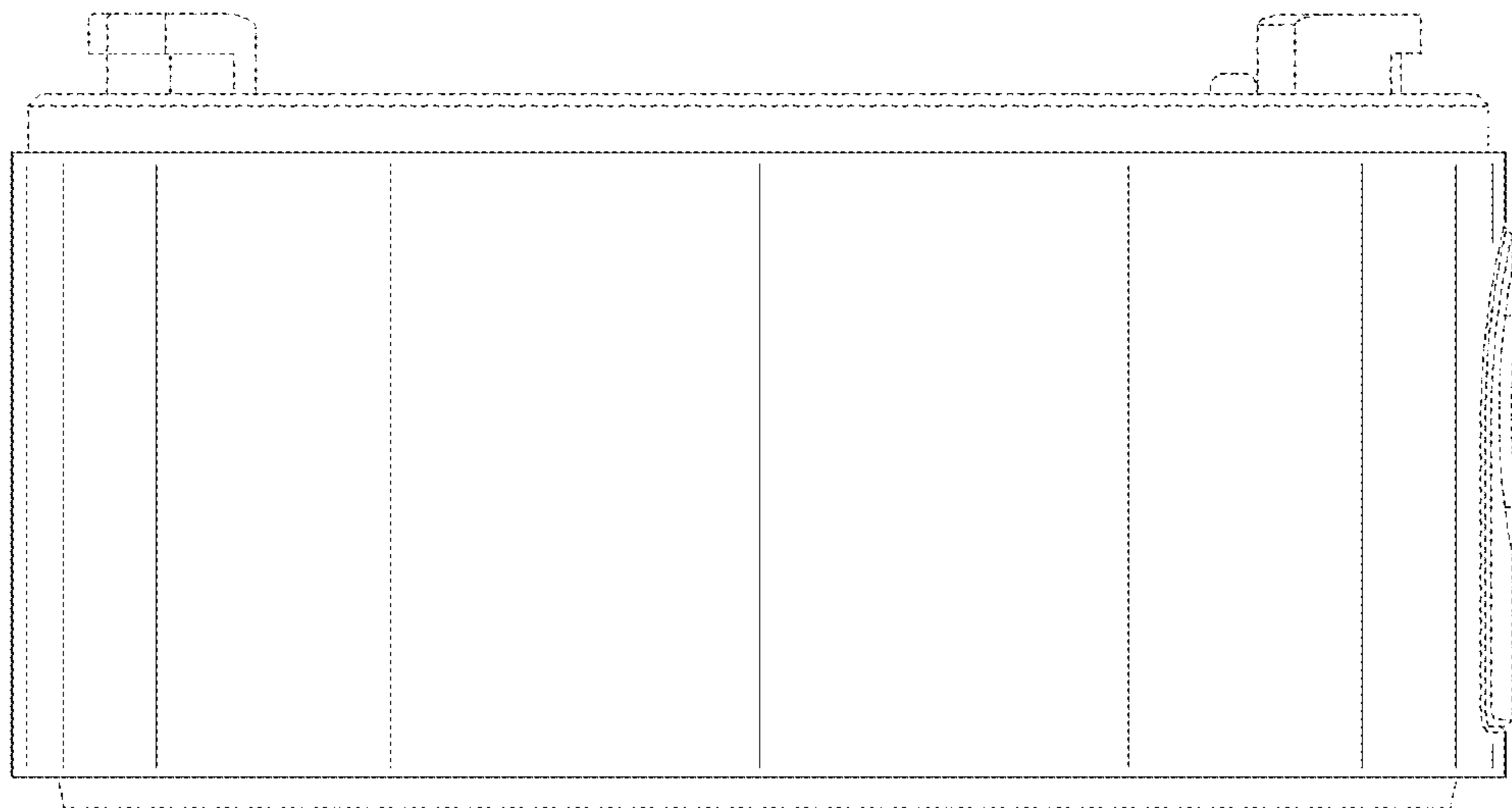


FIG.8

