



US00D716360S

(12) **United States Design Patent**
Schechter

(10) **Patent No.:** **US D716,360 S**

(45) **Date of Patent:** **** *Oct. 28, 2014**

(54) **COMBINED REAR VIEW CAMERA AND BRAKE LIGHT ASSEMBLY**

(71) Applicant: **Joseph Schechter**, Brooklyn, NY (US)

(72) Inventor: **Joseph Schechter**, Brooklyn, NY (US)

(*) Notice: This patent is subject to a terminal disclaimer.

(**) Term: **14 Years**

(21) Appl. No.: **29/435,132**

(22) Filed: **Oct. 19, 2012**

(51) **LOC (10) Cl.** **16-01**

(52) **U.S. Cl.**
USPC **D16/208**

(58) **Field of Classification Search**
CPC G03B 15/03; G03B 17/02; G03B 17/04;
G03B 17/48; G03B 17/56; G03B 19/04;
G08G 1/0175; H04N 5/2251; H04N 5/2252;
H04N 5/2253; H04N 5/2254; H04N 2101/00;
B60R 1/00
USPC D16/200, 202–204, 208, 211, 212, 218,
D16/219; D12/180, 400, 415; D26/28, 32,
D26/34, 35, 36; 340/937; 348/148, 43,
348/373–376; 396/429, 535, 539–541
See application file for complete search history.

(56) **References Cited**

U.S. PATENT DOCUMENTS

D373,432 S *	9/1996	Wu	D26/28
D389,929 S *	1/1998	Liu	D26/28
D495,812 S *	9/2004	Hilborn et al.	D26/28
D508,064 S *	8/2005	Ramirez	D16/200
D518,842 S *	4/2006	Hilborn et al.	D16/208
7,111,968 B2	9/2006	Bauer et al.		
D535,676 S *	1/2007	Dayan	D16/208
D536,011 S *	1/2007	Dayan	D16/208
D536,012 S	1/2007	Dayan		

D540,358 S *	4/2007	Orbach	D16/202
D550,266 S *	9/2007	Lau	D16/202
D558,366 S *	12/2007	Thomson	D26/28
D575,318 S *	8/2008	Dean	D16/203
D698,380 S *	1/2014	Fletcher	D16/202
2003/0090569 A1	5/2003	Poehmueller		
2006/0061655 A1	3/2006	Wang		

FOREIGN PATENT DOCUMENTS

DE	202005006191 U1	12/2005
JP	2006231988 A	9/2006
TW	M271758	8/2005
WO	WO 0149526 A1	7/2001

OTHER PUBLICATIONS

Chevrolet Express Van 3rd Brake Light Backup Camera System. TadiBrothers.com [online]. [retrieved on Feb. 3, 2014]. Retrieved from the Internet: <<http://www.tadibrothers.com/Catalog/CommercialBackupSystems/Chevrolet-Express-Van-3rd-Brake-Light-Backup-Camera-System>>.*

* cited by examiner

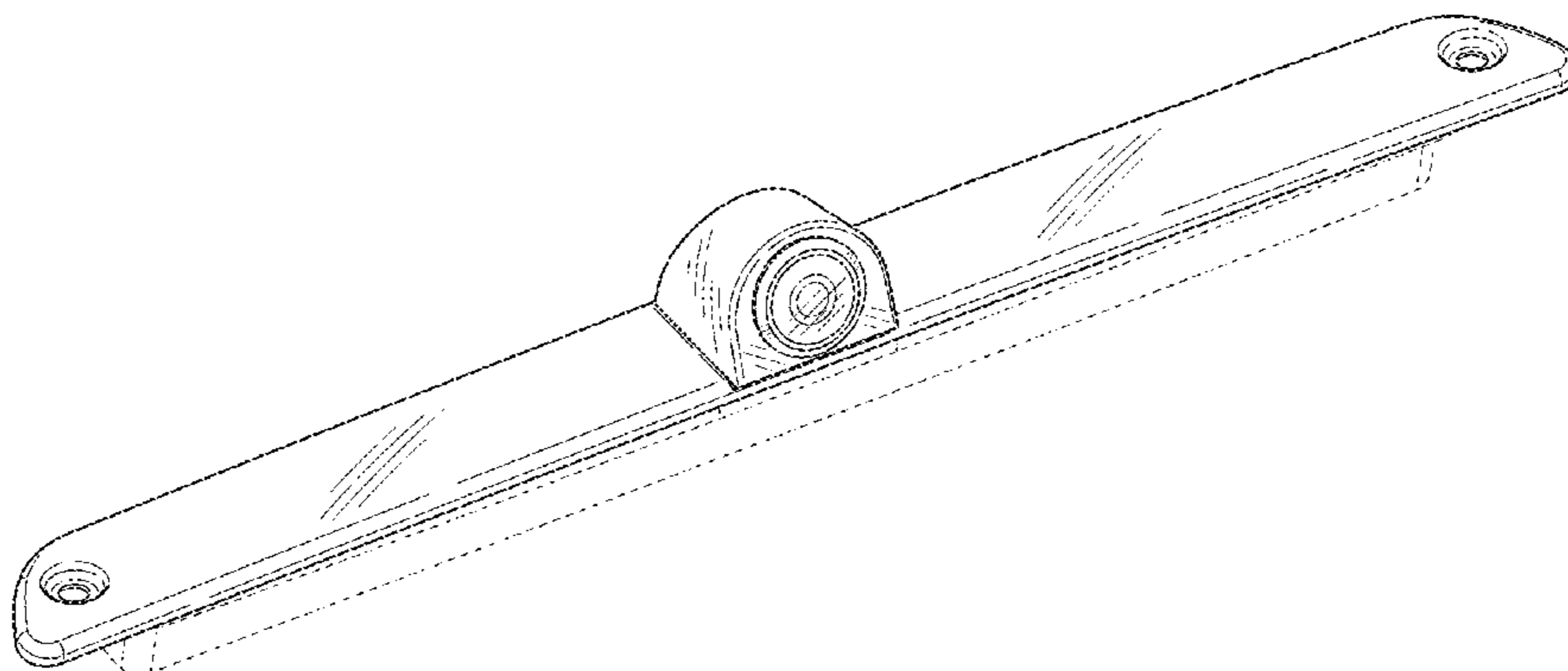
Primary Examiner — Adir Aronovich
Assistant Examiner — Ramzi Almatrahi
(74) *Attorney, Agent, or Firm* — Lance M. Pritikin

(57) **CLAIM**
The ornamental design for a combined rear view camera and brake light assembly, substantially as shown and described.

DESCRIPTION

FIG. 1 is a perspective view of a combined rear view camera and brake light assembly showing my new design; FIG. 2 is a front elevational view thereof; FIG. 3 is a rear elevational view thereof; FIG. 4 is a right elevational view thereof; FIG. 5 is a left elevational view thereof; FIG. 6 is a top plan view thereof; FIG. 7 is a bottom plan view thereof; and, FIG. 8 is a perspective view thereof as applied to a motor vehicle. The broken lines are included for illustrative purposes only and form no part of the claimed design.

1 Claim, 4 Drawing Sheets



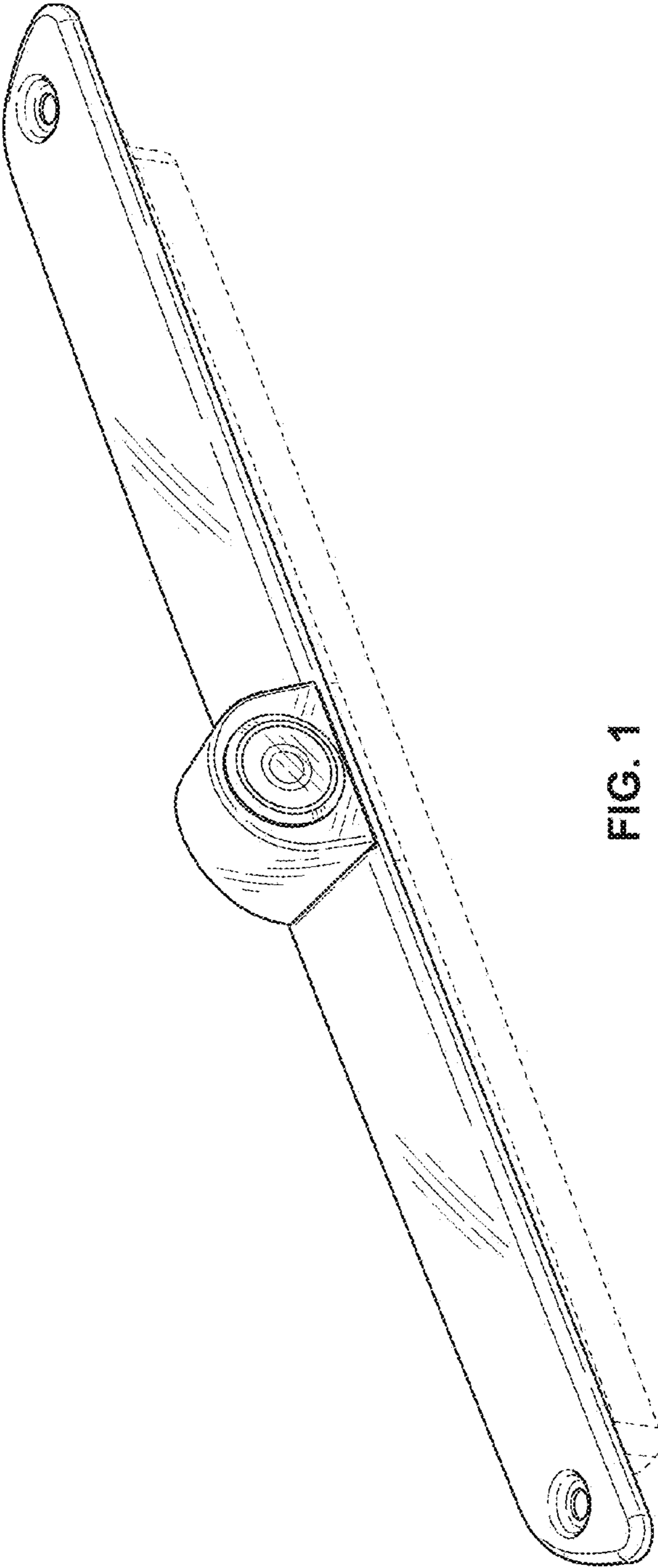


FIG. 1

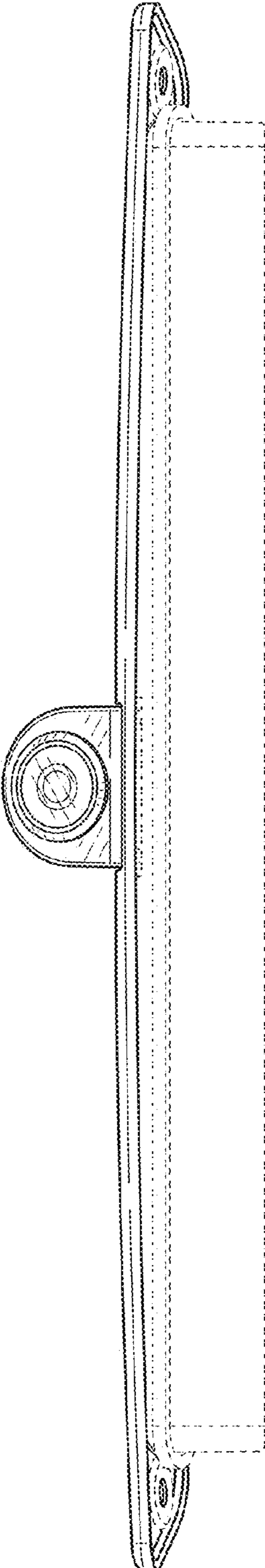


FIG. 2

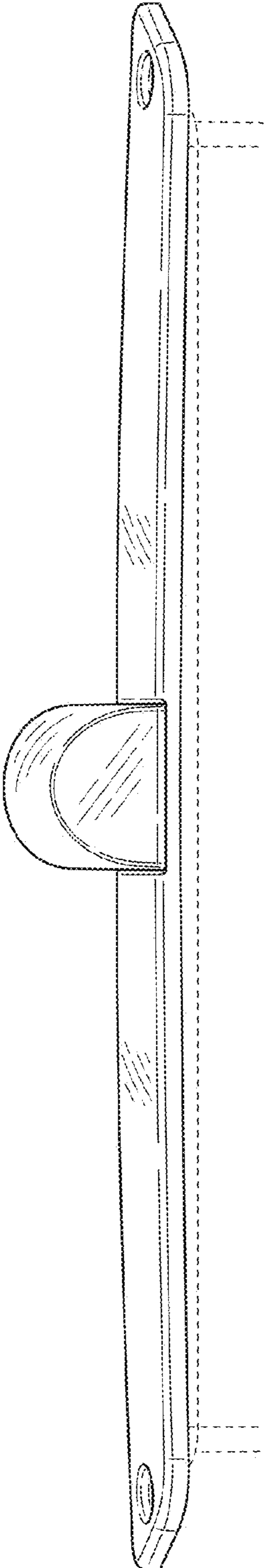


FIG. 3

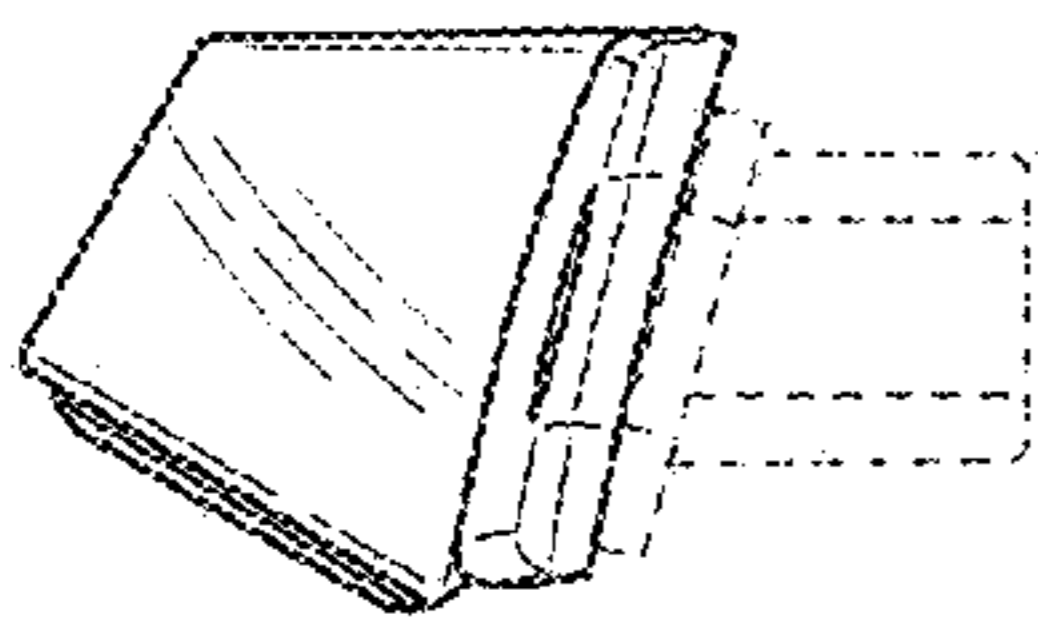


FIG. 4

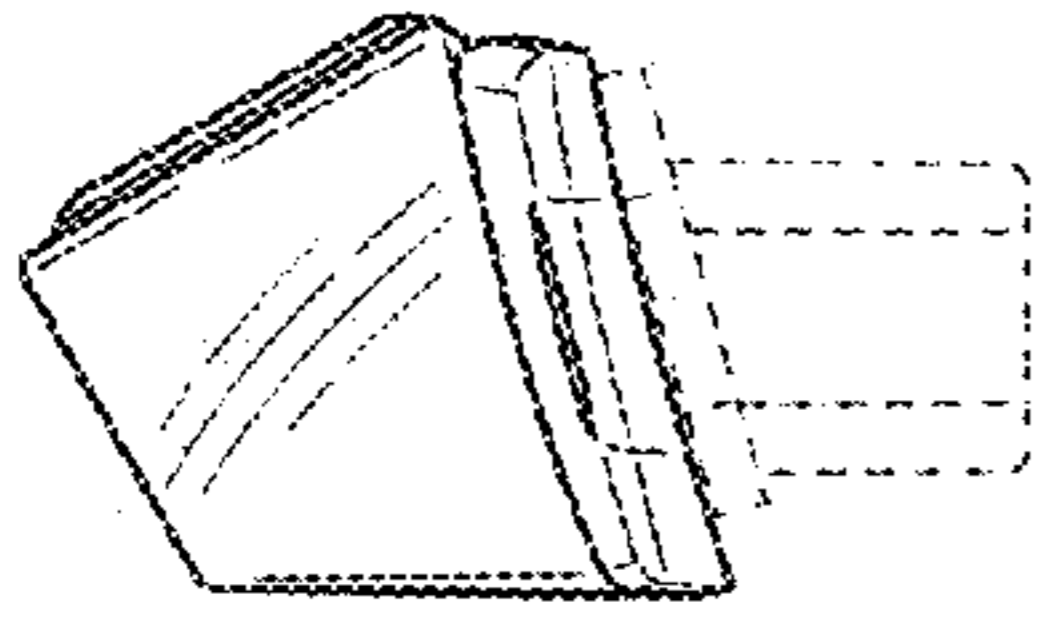


FIG. 5

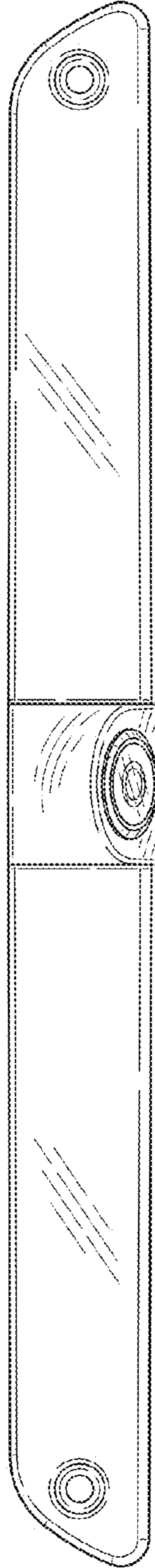


FIG. 6



FIG. 7

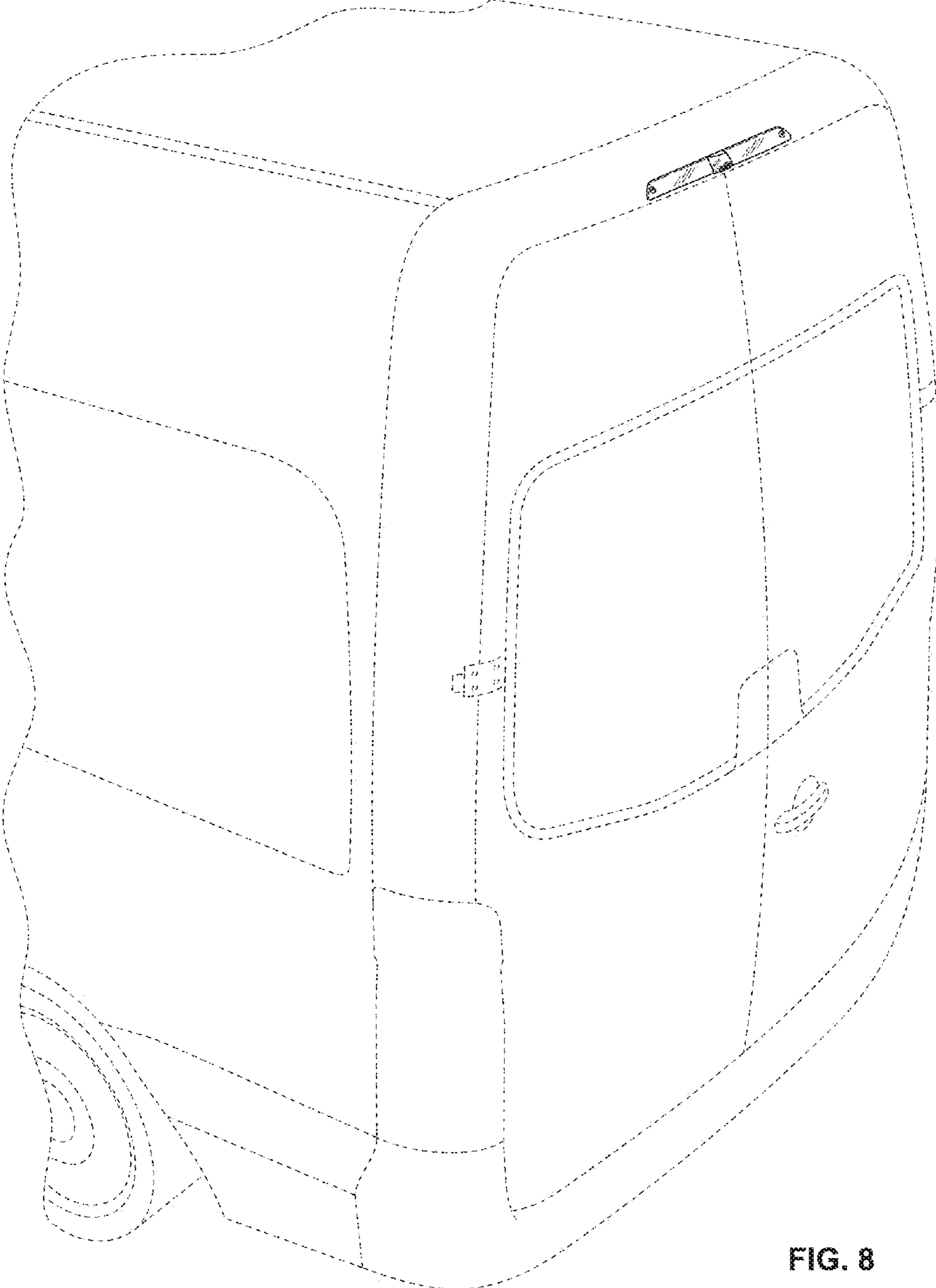


FIG. 8