



US00D716359S

(12) **United States Design Patent**  
**Nohara**

(10) **Patent No.:** **US D716,359 S**

(45) **Date of Patent:** **\*\* Oct. 28, 2014**

(54) **DIGITAL CAMERA**

(71) Applicant: **Olympus Imaging Corp.**, Tokyo (JP)

(72) Inventor: **Takeshi Nohara**, Hachioji (JP)

(73) Assignee: **Olympus Imaging Corp.**, Tokyo (JP)

(\*\*) Term: **14 Years**

(21) Appl. No.: **29/449,821**

(22) Filed: **Mar. 15, 2013**

(30) **Foreign Application Priority Data**

Dec. 25, 2012 (JP) ..... 2012-031410

(51) **LOC (10) Cl.** ..... **16-01**

(52) **U.S. Cl.**  
USPC ..... **D16/202**

(58) **Field of Classification Search**

CPC ..... G03B 15/03; G03B 17/02; G03B 17/04;  
G03B 17/56; G03B 19/04; H04N 5/2251;  
H04N 5/2252; H04N 5/2253; H04N 5/2254;  
H04N 2101/00

USPC ..... D16/200, 202–206, 208, 209, 218, 219;  
348/373–376; 396/535, 539–541

See application file for complete search history.

(56) **References Cited**

U.S. PATENT DOCUMENTS

D520,544	S	*	5/2006	Senda	.....	D16/202
D640,720	S	*	6/2011	Yoshii et al.	.....	D16/202
D641,032	S	*	7/2011	Yoshii	.....	D16/202
D646,314	S	*	10/2011	Nohara	.....	D16/202
D653,275	S	*	1/2012	Sakai	.....	D16/202
D657,408	S	*	4/2012	Tainaka	.....	D16/202
D669,930	S	*	10/2012	Koyama et al.	.....	D16/219
8,638,390	B2	*	1/2014	Shinohara et al.	.....	348/373
D701,549	S	*	3/2014	Ogasawara	.....	D16/202
2011/0216237	A1	*	9/2011	Shinohara et al.	.....	348/373

\* cited by examiner

*Primary Examiner* — Adir Aronovich

*Assistant Examiner* — Ramzi Almatrahi

(74) *Attorney, Agent, or Firm* — Holtz, Holtz, Goodman & Chick PC

(57) **CLAIM**

The ornamental design for a digital camera, as shown.

**DESCRIPTION**

FIG. 1 is a front, top and right side perspective view of a digital camera showing my new design;  
FIG. 2 is a front elevational view thereof;  
FIG. 3 is a rear elevational view thereof;  
FIG. 4 is a top plan view thereof;  
FIG. 5 is a bottom plan view thereof;  
FIG. 6 is a right side elevational view thereof; and,  
FIG. 7 is a left side elevational view thereof.

**1 Claim, 5 Drawing Sheets**

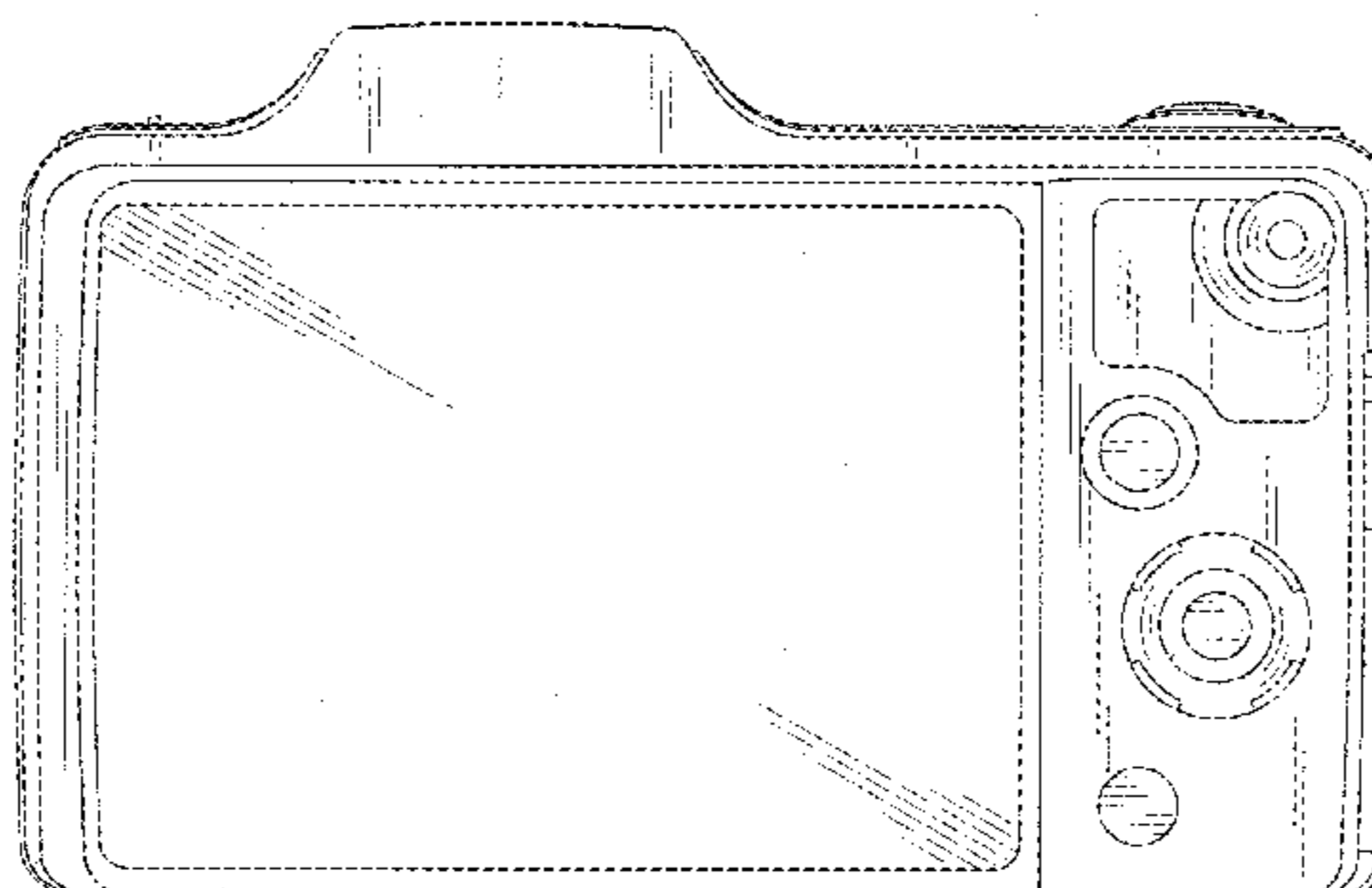
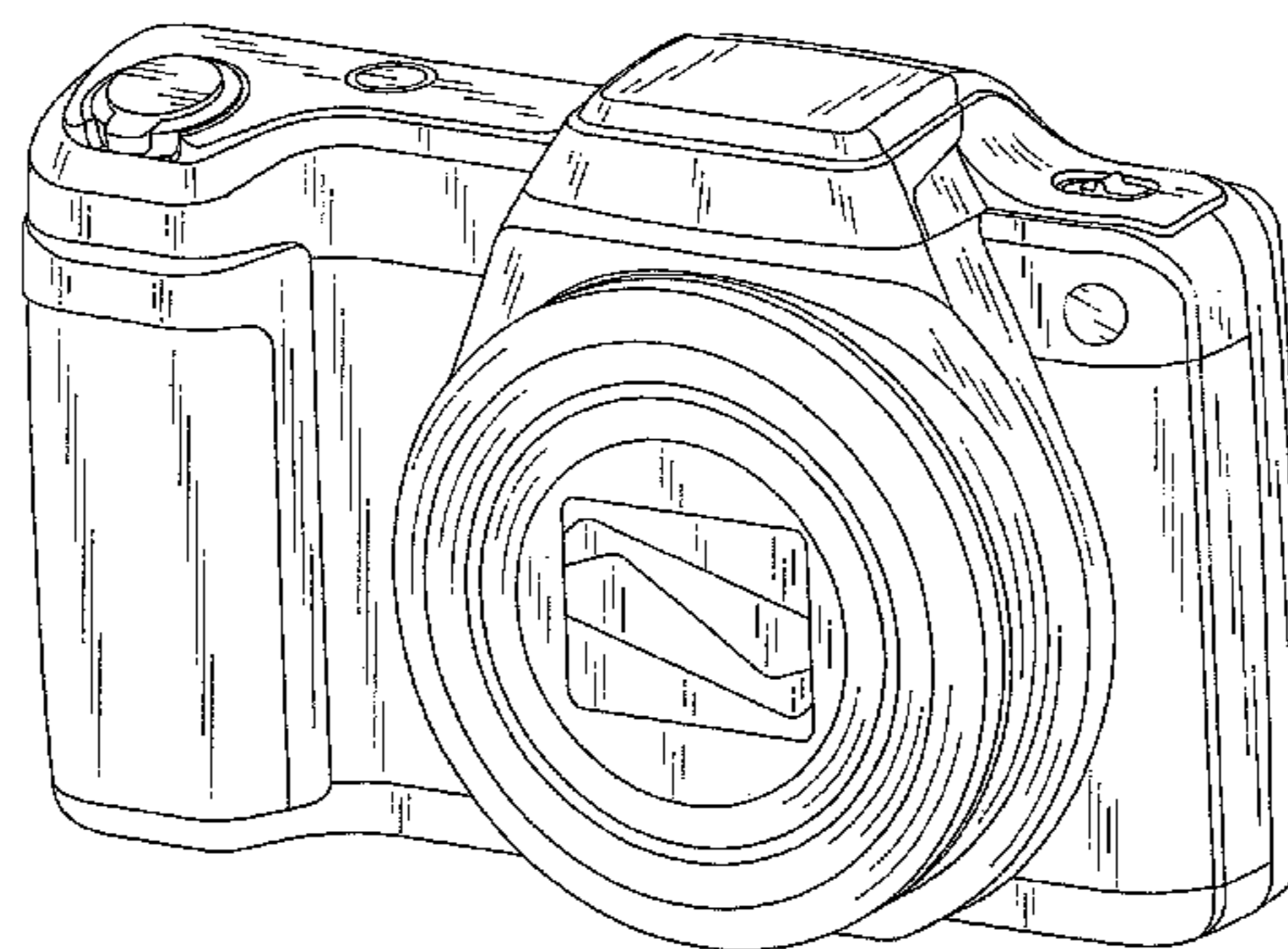


FIG.1

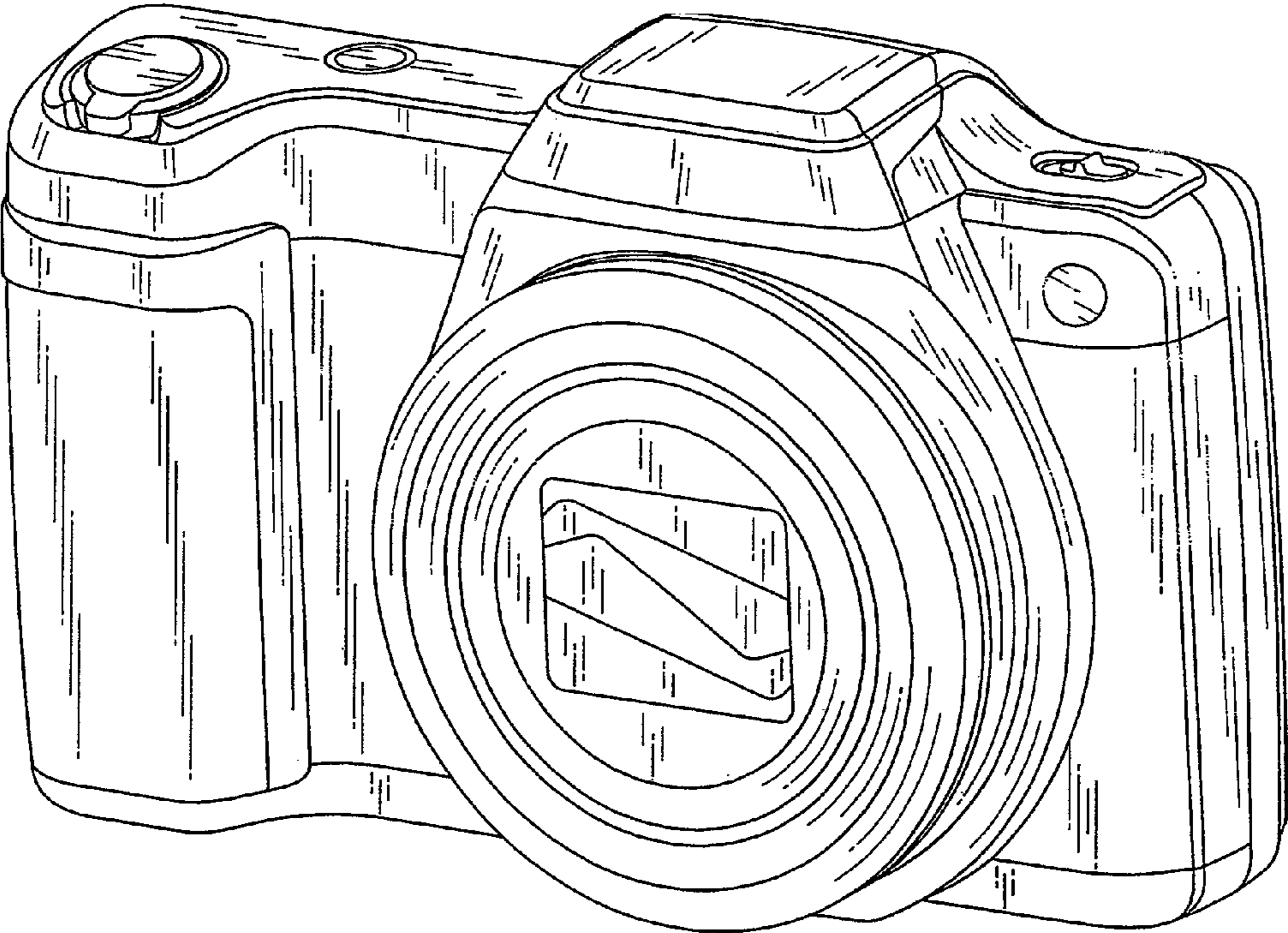
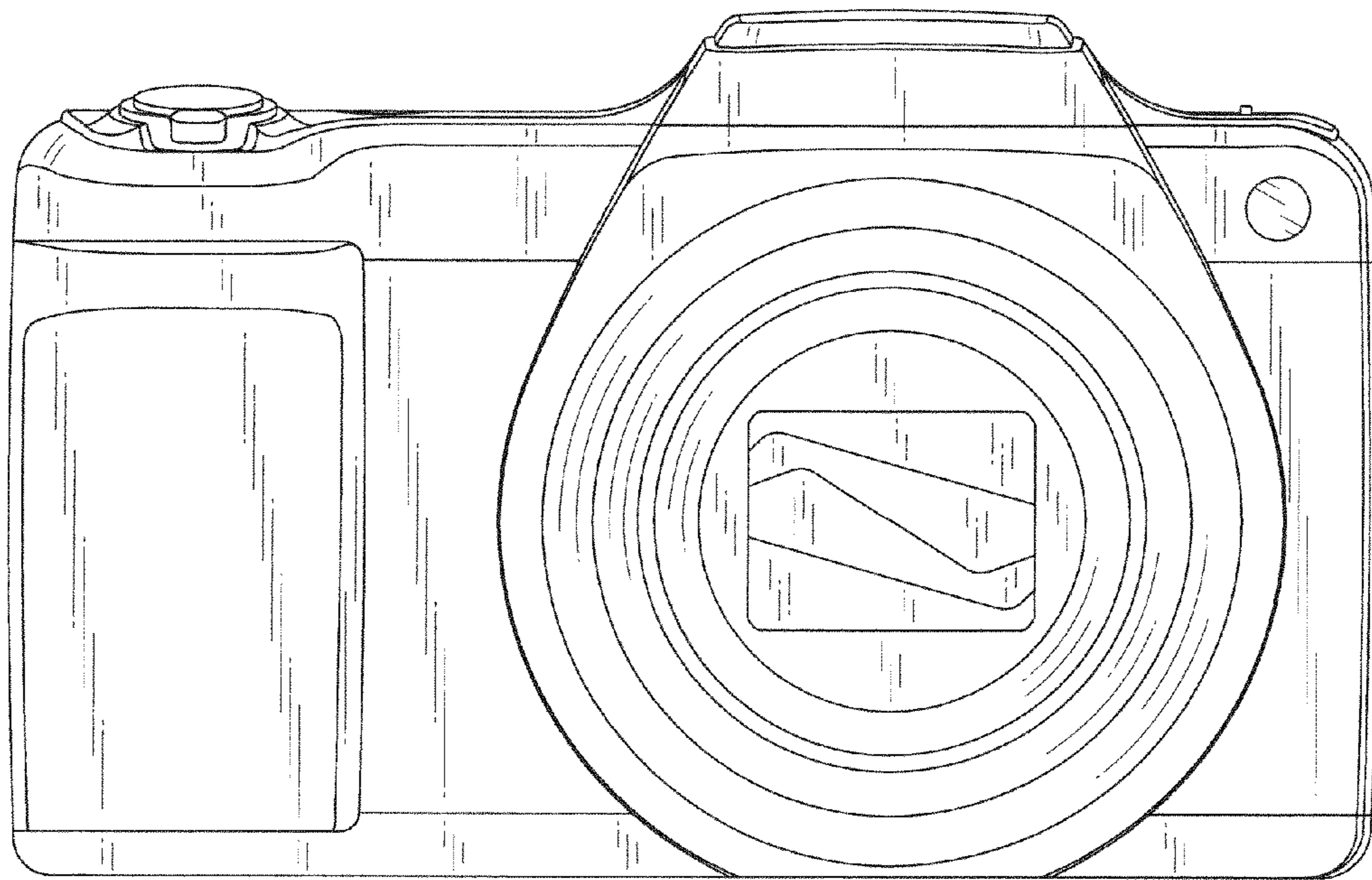
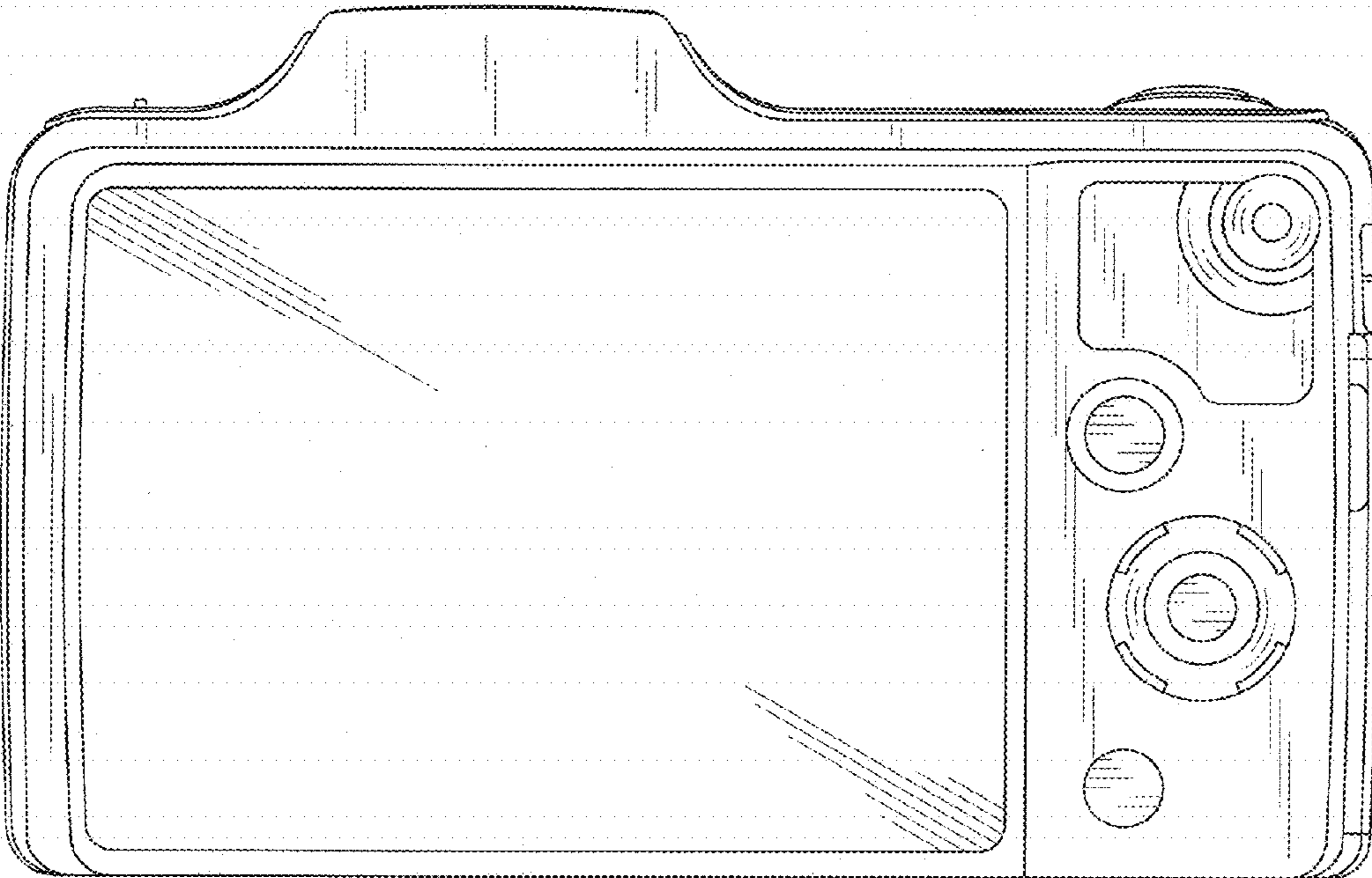


FIG.2

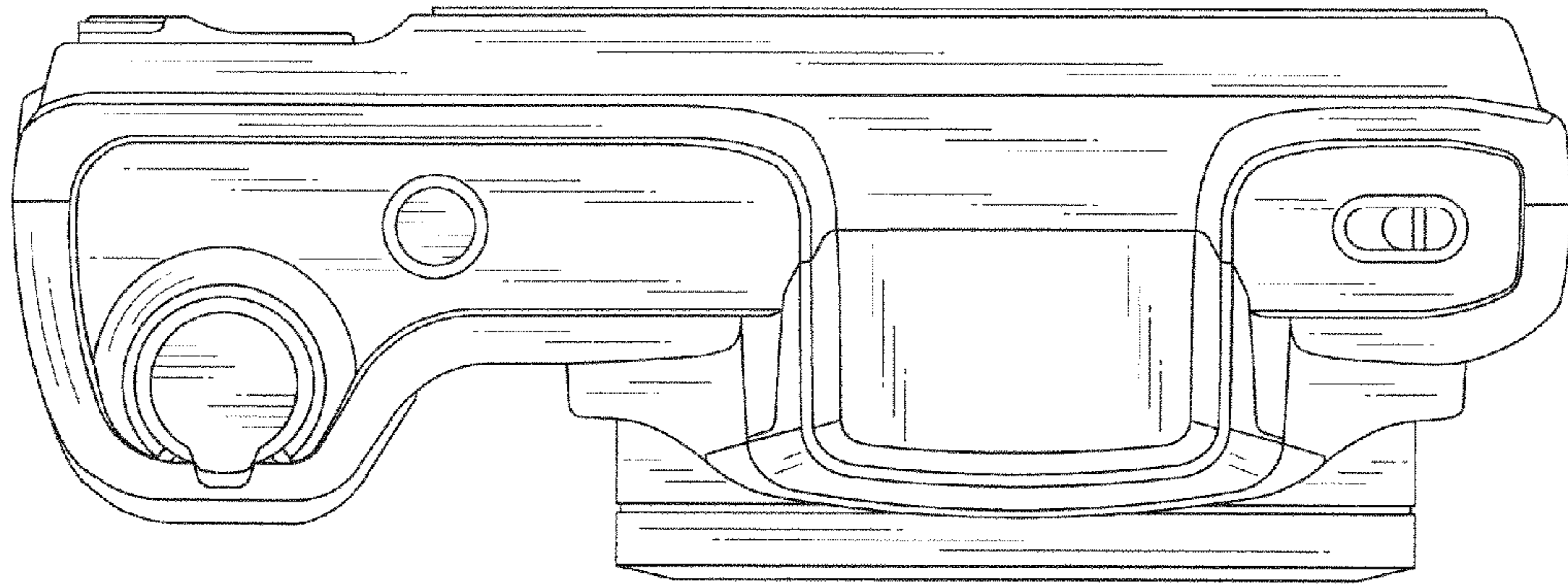


**FIG.3**

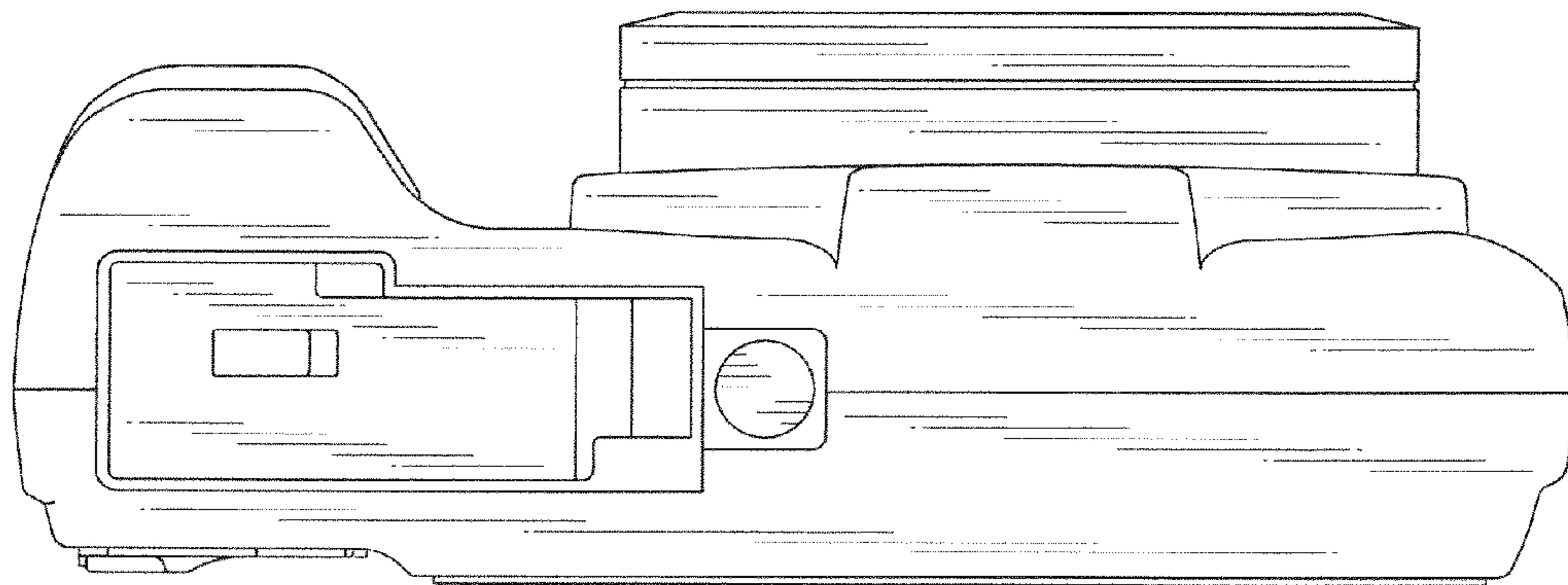




**FIG.4**



**FIG.5**



**FIG.6**

**FIG.7**

