



US00D716354S

(12) **United States Design Patent**
Atzlinger

(10) **Patent No.:** **US D716,354 S**

(45) **Date of Patent:** **** Oct. 28, 2014**

(54) **CRUSHER JAW**

(71) Applicant: **HARTL Engineering & Marketing GmbH**, Mauthausen (AT)

(72) Inventor: **Rainer Atzlinger**, Mauthausen (AT)

(73) Assignee: **HARTL Engineering & Marketing GmbH**, Mauthausen (AT)

(**) Term: **14 Years**

(21) Appl. No.: **29/440,340**

(22) Filed: **Dec. 20, 2012**

(51) **LOC (10) Cl.** **15-09**

(52) **U.S. Cl.**
USPC **D15/123**

(58) **Field of Classification Search**
USPC D15/122, 123; 72/448, 455, 465;
100/207, 208, 214, 268, 282, 292;
241/31, 58, 159, 179, 186, 236, 285;
435/86, 135, 347, 348.5, 349, 350,
435/353, 355, 358, 360

See application file for complete search history.

(56) **References Cited**

U.S. PATENT DOCUMENTS

30,790 A * 11/1860 Euston 100/7
2007/0297701 A1 * 12/2007 Engel et al. 383/104
2008/0217452 A1 * 9/2008 Douglas 241/259.1

* cited by examiner

Primary Examiner — Patricia Palasik

(74) *Attorney, Agent, or Firm* — Notaro, Michalos & Zaccaria P.C.

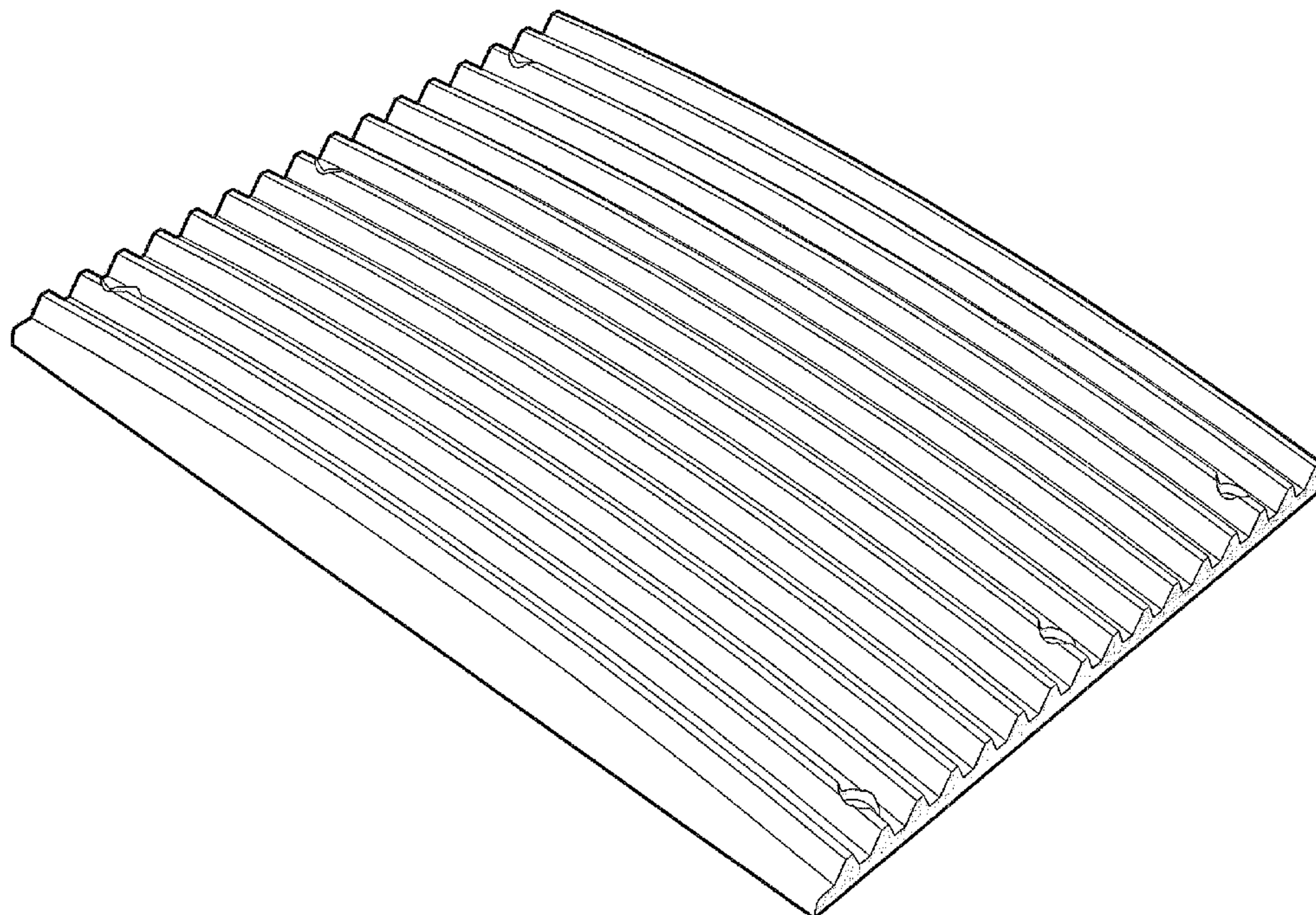
(57) **CLAIM**

The ornamental design for a crusher jaw, as shown and described.

DESCRIPTION

FIG. 1 is a front, top, right perspective view of a crusher jaw showing my design therefor;
FIG. 2 is a bottom plan view thereof;
FIG. 3 is a top plan view thereof;
FIG. 4 is a front perspective view thereof;
FIG. 5 is a rear perspective view thereof;
FIG. 6 is a left side elevational view thereof
FIG. 7 is a right side elevational view thereof;
FIG. 8 is a bottom, rear, right perspective view thereof;
FIG. 9 is a bottom, front, right perspective view thereof;
FIG. 10 is a top, rear, left perspective view thereof; and,
FIG. 11 is a top, front, right perspective view thereof.
The broken lines in the drawings depict unclaimed environmental subject matter.

1 Claim, 11 Drawing Sheets



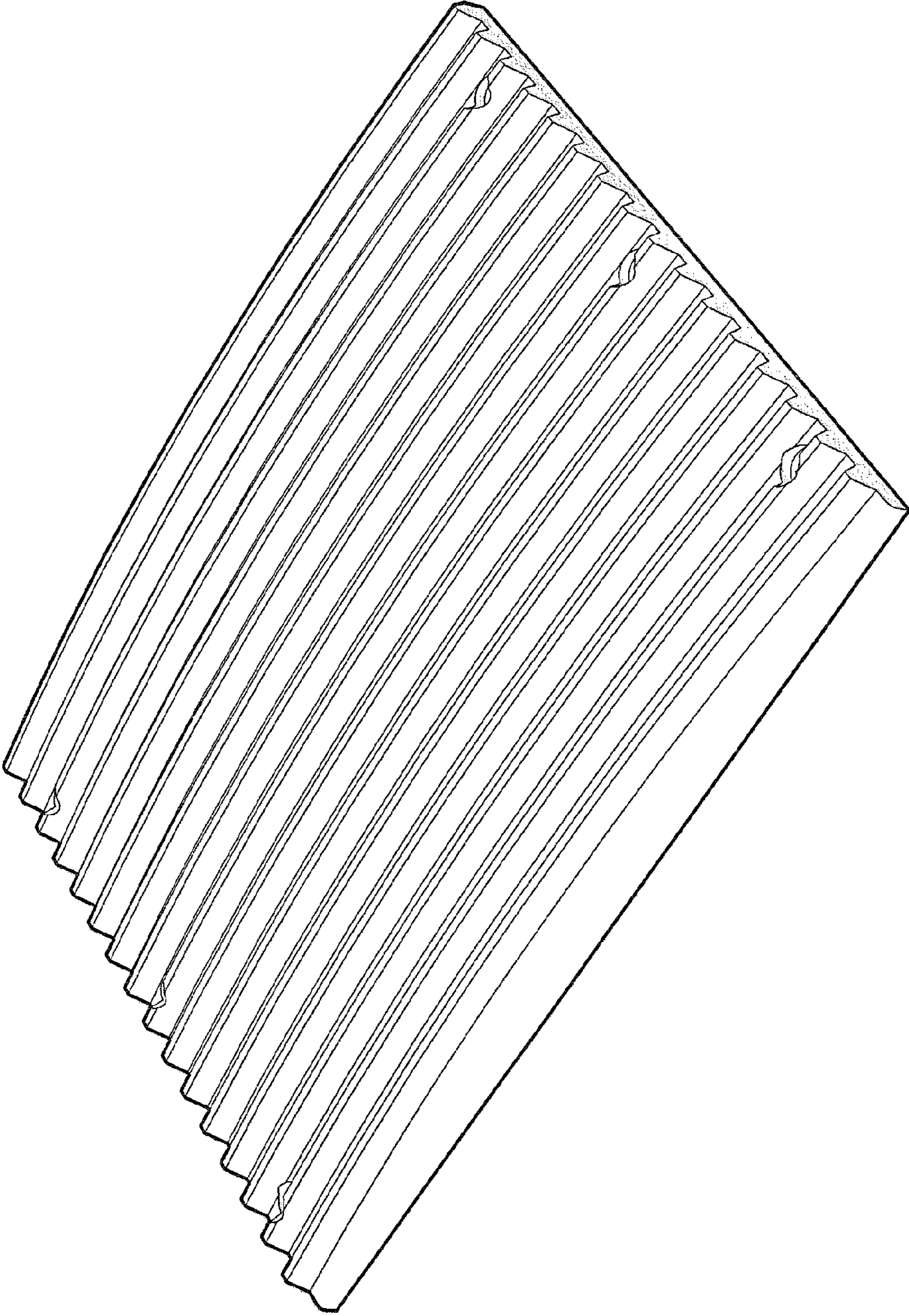


Fig. 1

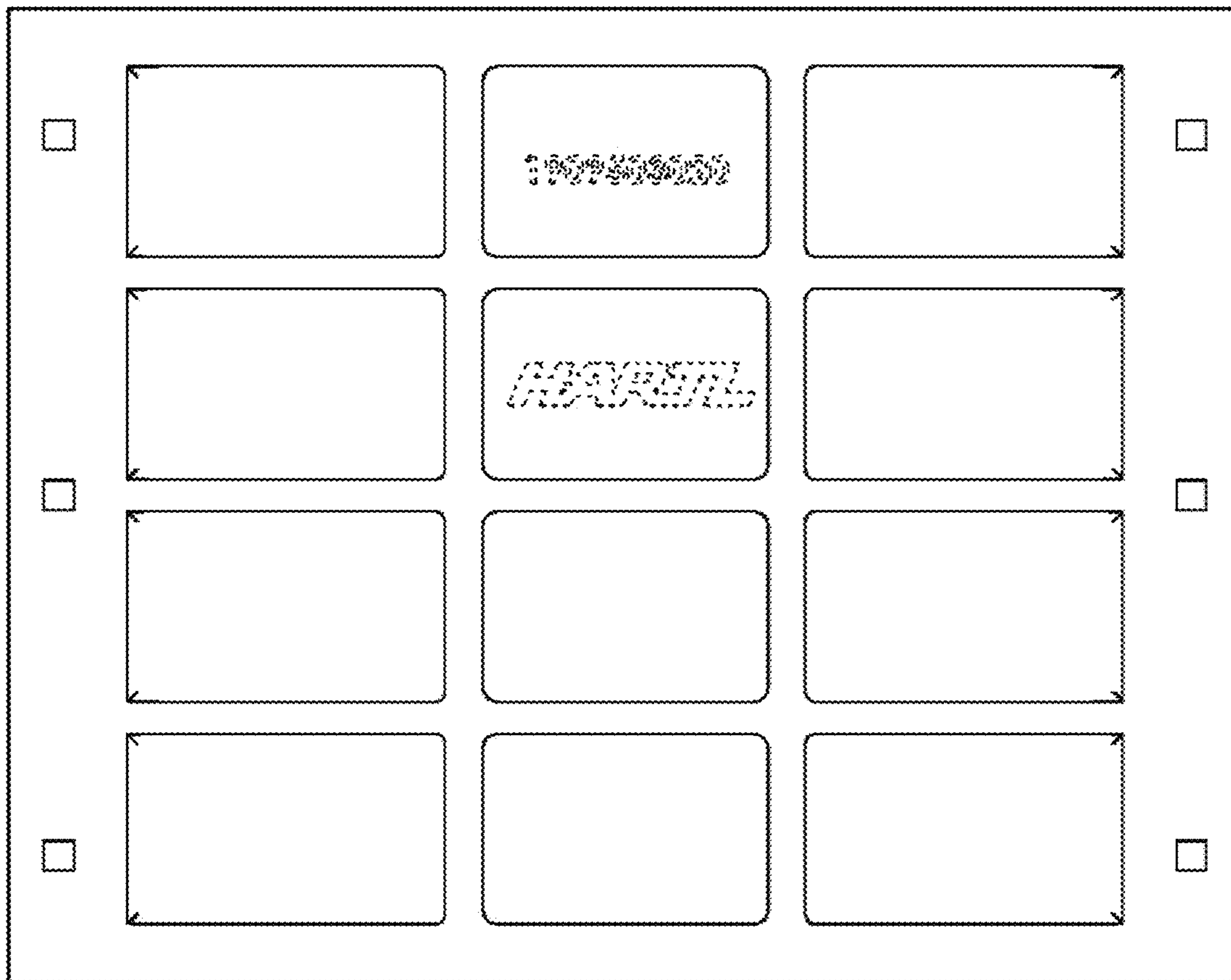


FIG. 2

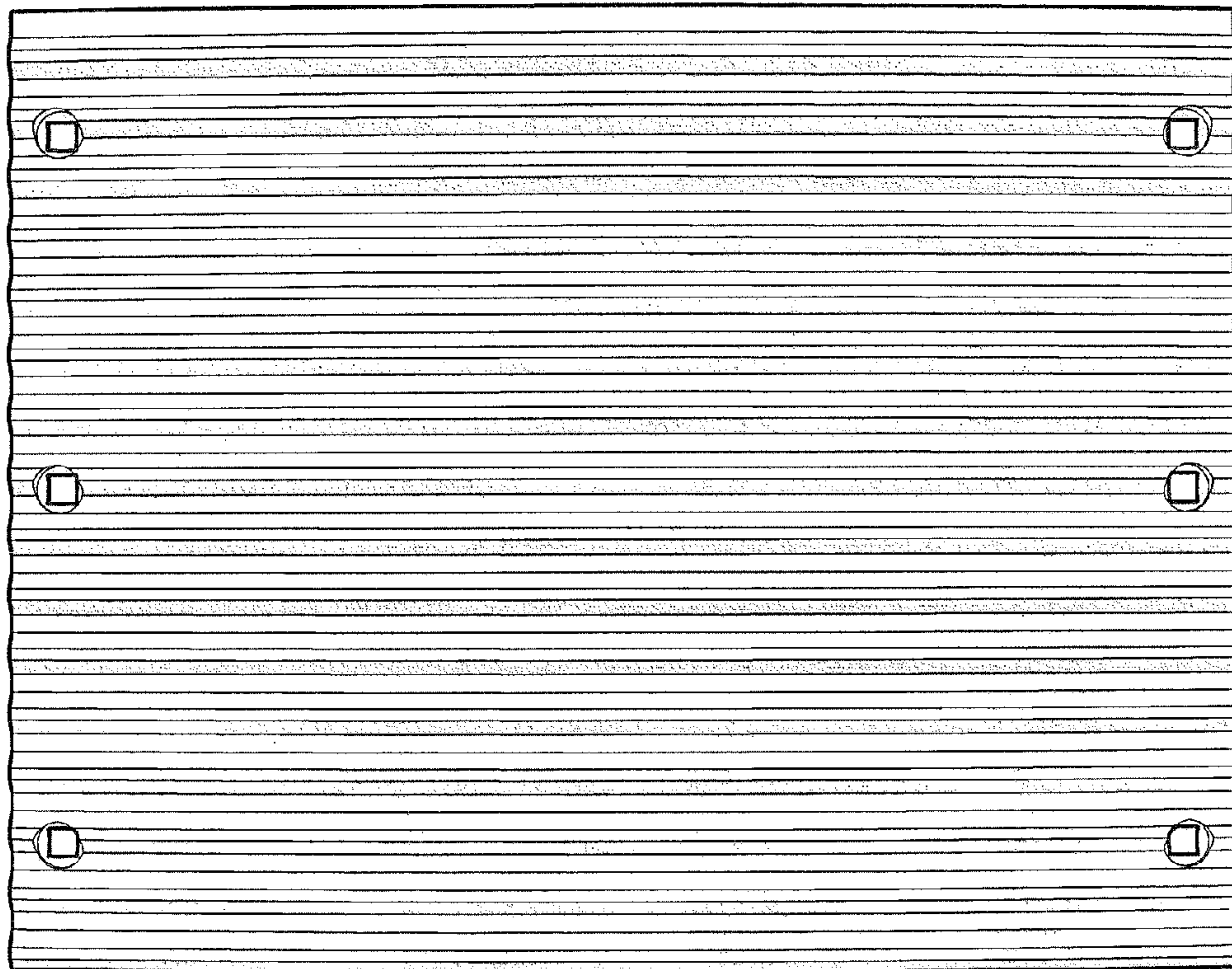


Fig. 3

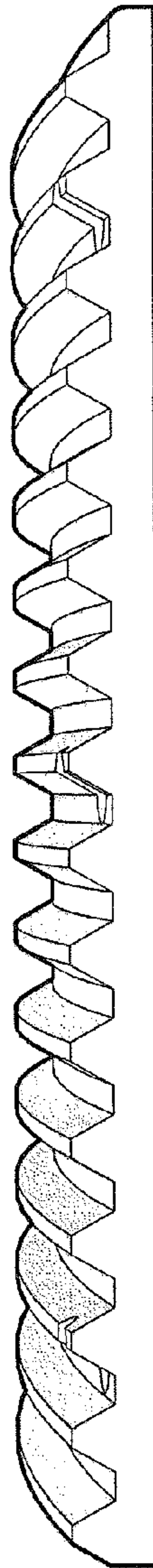


Fig. 4

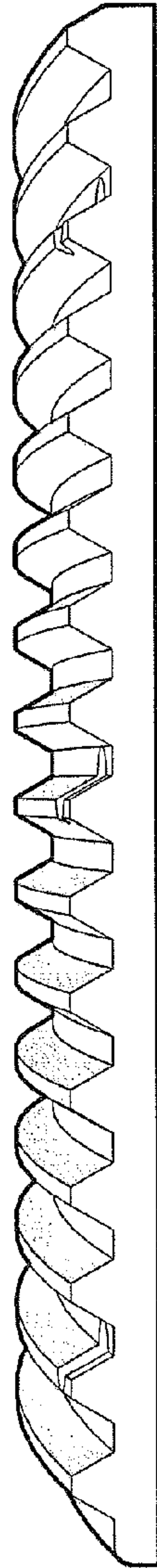


Fig. 5

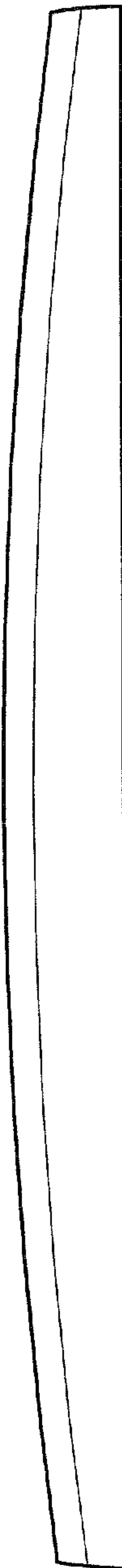


Fig. 6



Fig. 7

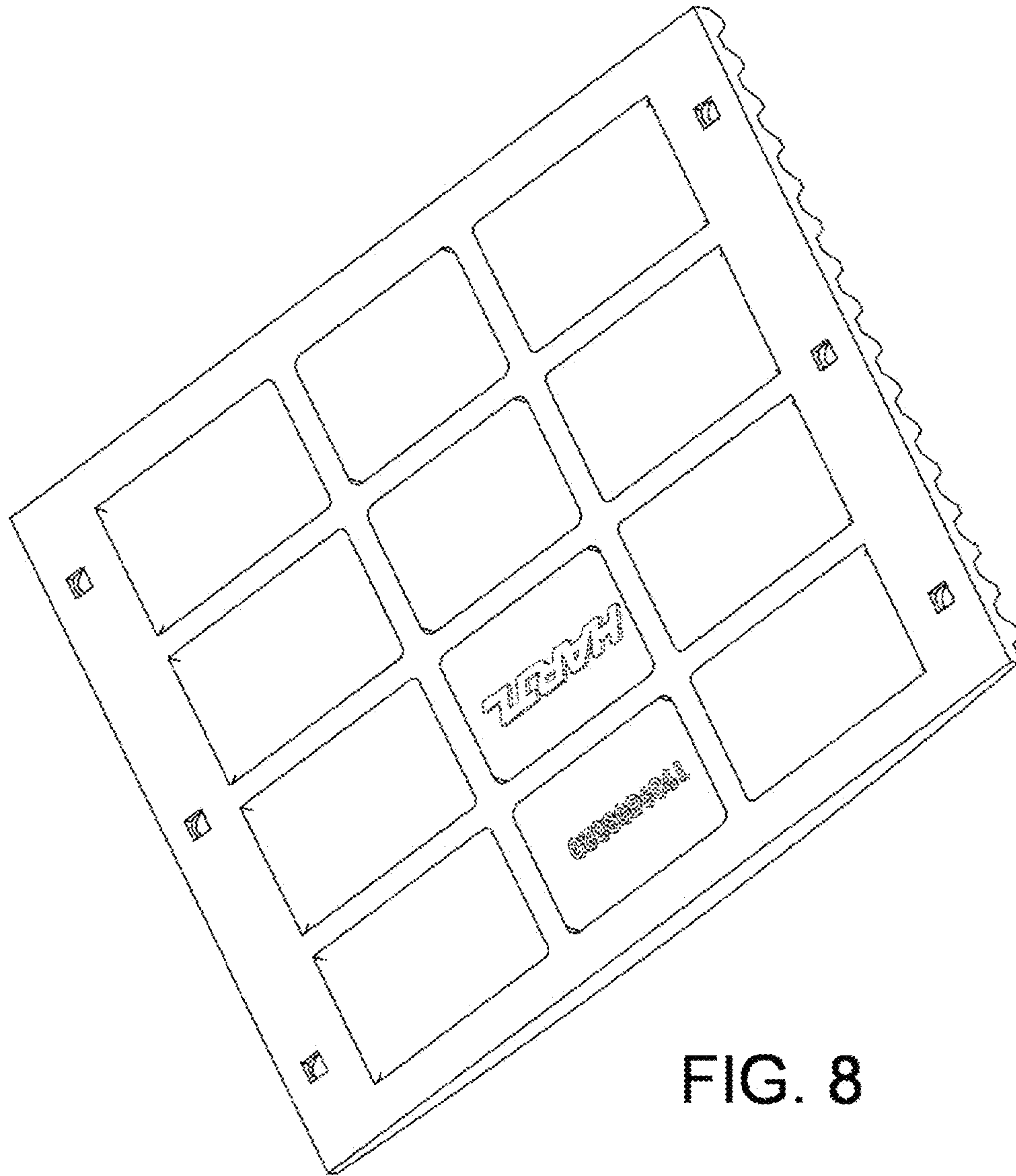


FIG. 8

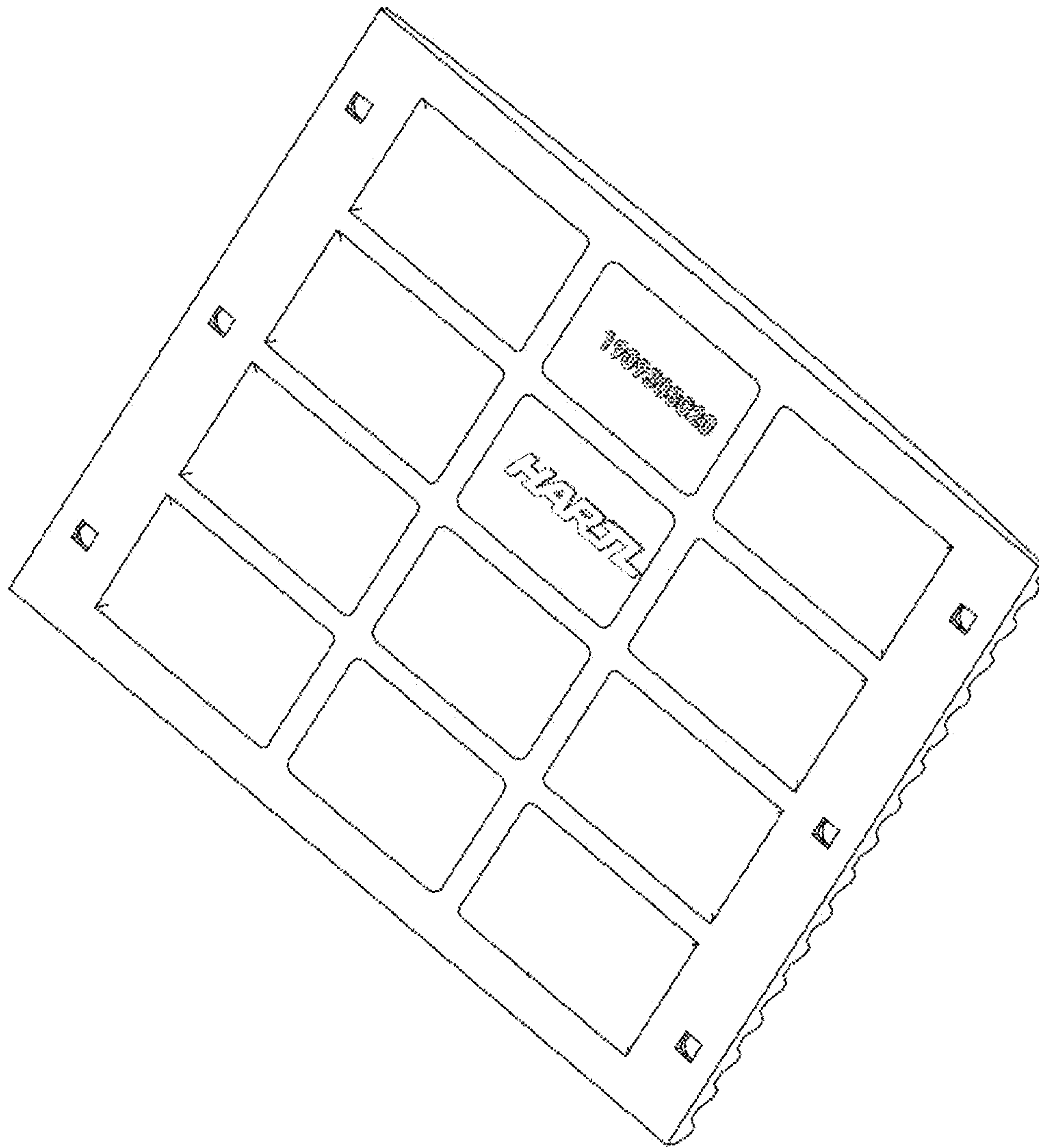


FIG. 9

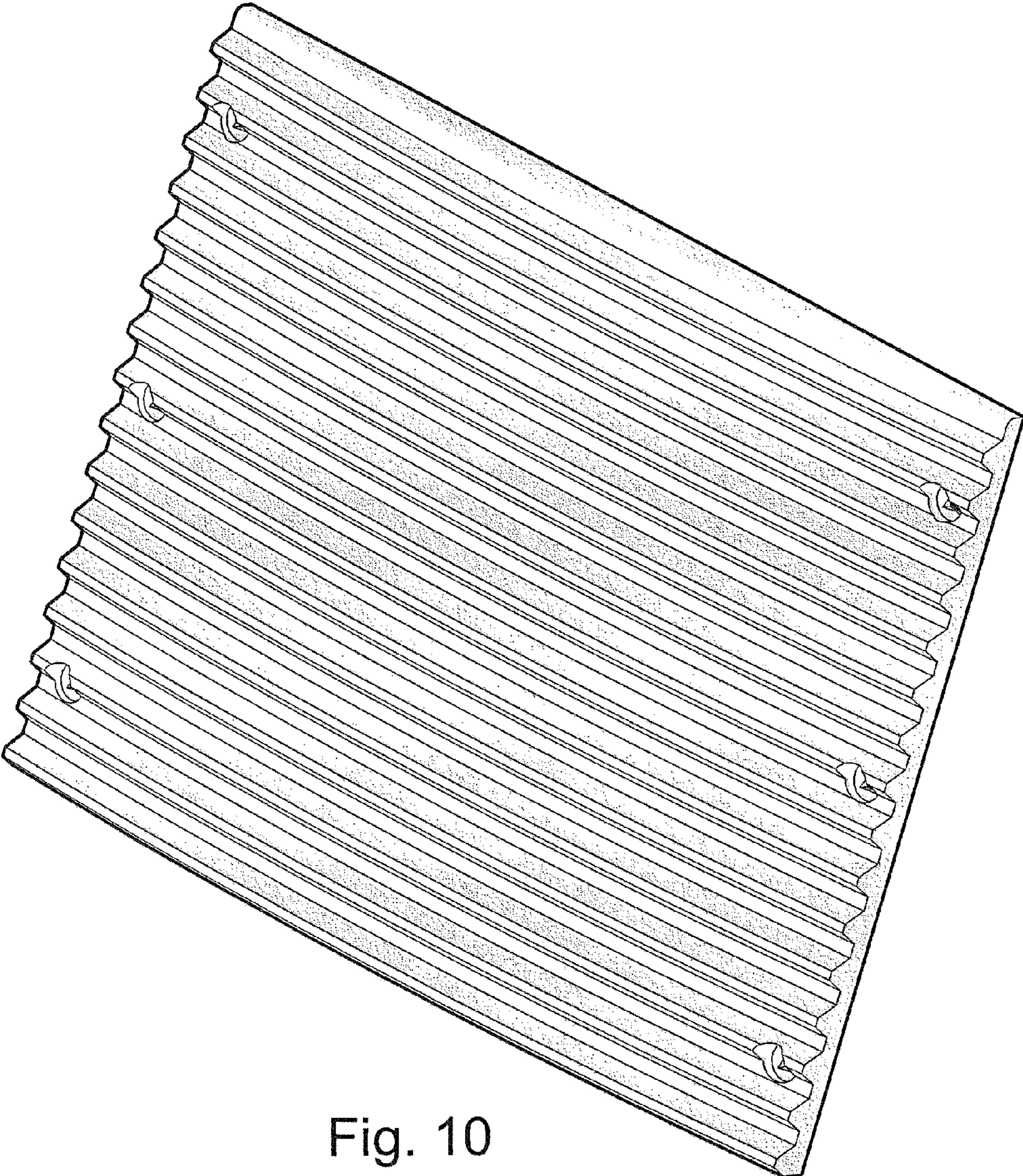


Fig. 10

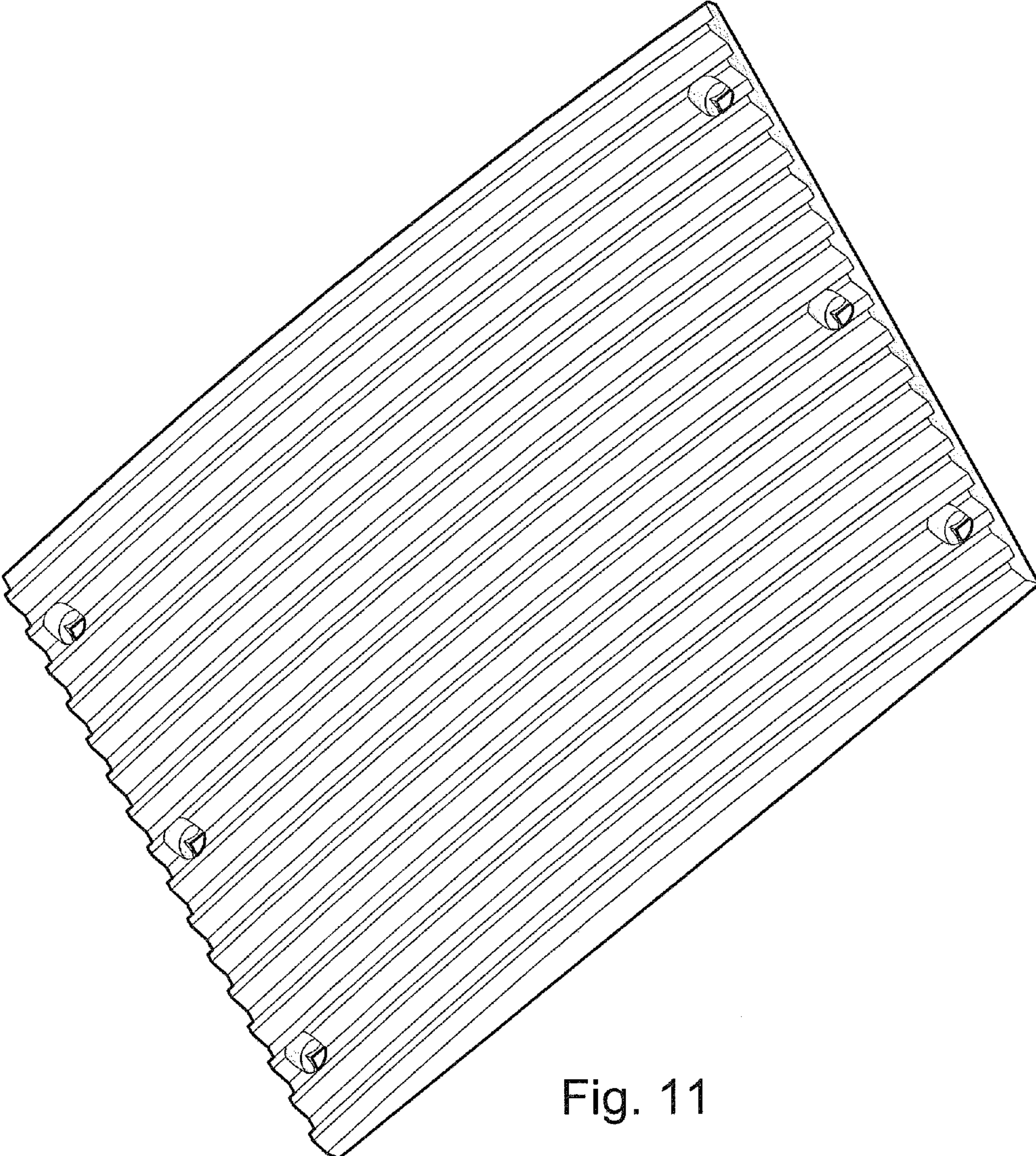


Fig. 11