



US00D716353S

(12) **United States Design Patent**
Barscevicius et al.

(10) **Patent No.:** **US D716,353 S**
(45) **Date of Patent:** **** Oct. 28, 2014**

- (54) **ROLL CRUSHER FRAME**
- (75) Inventors: **Paulo Barscevicius**, Sorocaba (BR);
Andrzej Niklewski, Alto de Pinheiros (BR)
- (73) Assignee: **Metso Brasil Industria E. Comercio Ltda**, Sorocaba, SP (BR)
- (**) Term: **14 Years**
- (21) Appl. No.: **29/418,757**
- (22) Filed: **Apr. 20, 2012**
- (51) **LOC (10) Cl.** **15-09**
- (52) **U.S. Cl.**
USPC **D15/123**
- (58) **Field of Classification Search**
USPC D15/122, 123; 72/448, 455, 465;
100/207, 208, 214, 268, 282, 292;
241/31, 58, 159, 179, 186, 236, 241.1,
241/266, 285; 435/86, 135, 347, 348.5,
435/249, 350, 353, 355, 358, 360
See application file for complete search history.

- 5,775,609 A * 7/1998 Ackers et al. 241/285.3
- D413,339 S * 8/1999 Wales, Jr. D15/123
- 6,311,908 B1 * 11/2001 Kajiyama et al. 241/29
- 6,827,301 B1 * 12/2004 Kassuba 241/37
- D557,294 S * 12/2007 Okuya D15/123
- D604,343 S * 11/2009 Murakami et al. D15/123
- 8,702,024 B2 * 4/2014 Iafrate 241/241.5

* cited by examiner

Primary Examiner — Patricia Palasik
(74) *Attorney, Agent, or Firm* — Andrus Intellectual Property Law, LLP

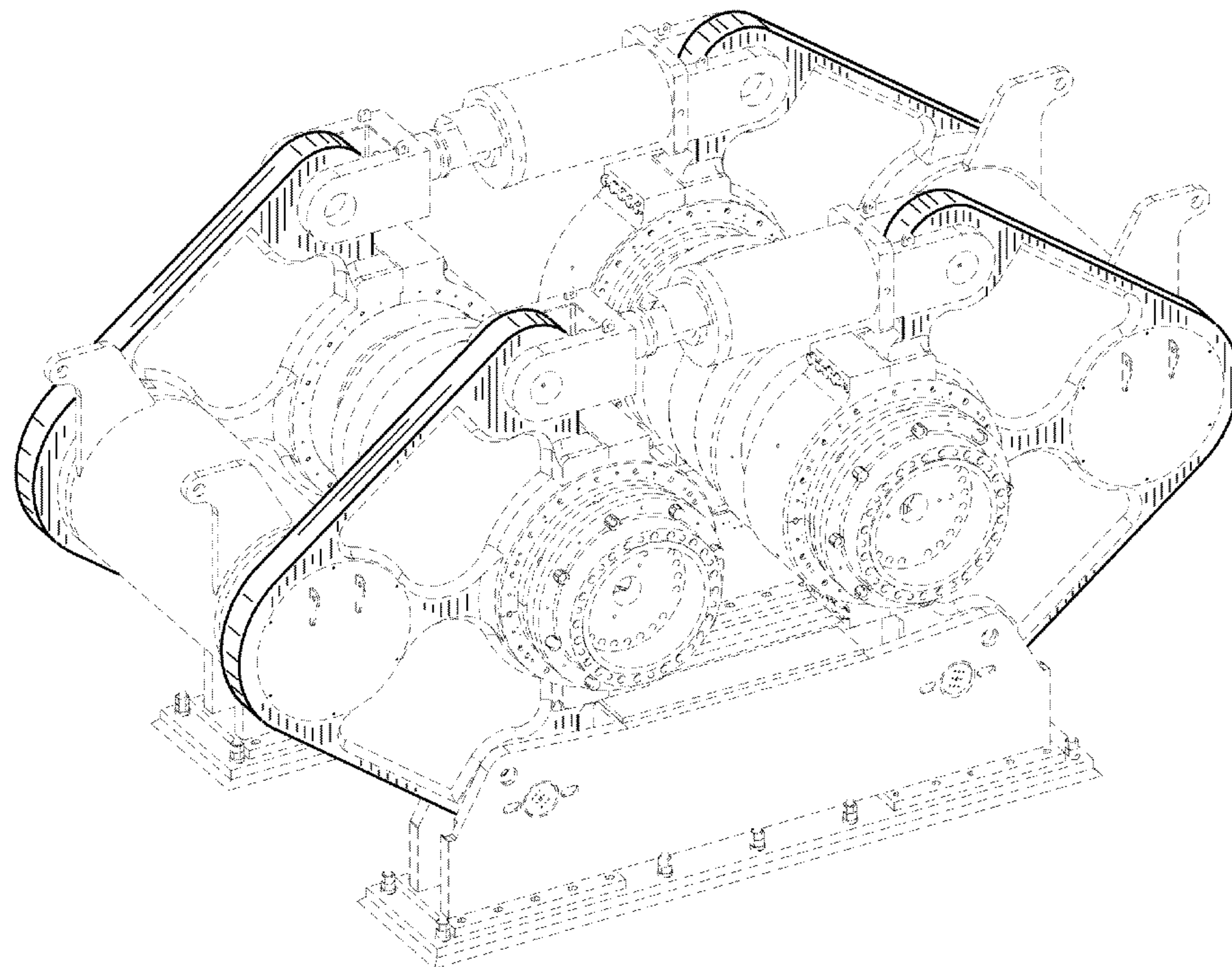
(57) **CLAIM**
The ornamental design for a roll crusher frame, as shown and described.

DESCRIPTION

FIG. 1 is an isometric view of a roll crusher frame;
FIG. 2 is a front view of the roll crusher frame;
FIG. 3 is a front view thereof, wherein the back view is a mirror image;
FIG. 4 is a top view thereof; and,
FIG. 5 is a bottom view thereof.
The broken lines shown in the drawing Figures are meant to indicate environment only and form no part of the claimed design.

1 Claim, 5 Drawing Sheets

- (56) **References Cited**
U.S. PATENT DOCUMENTS
3,845,906 A * 11/1974 Lillig et al. 241/32
4,768,723 A * 9/1988 Fritz 241/268
D331,414 S * 12/1992 Long D15/123



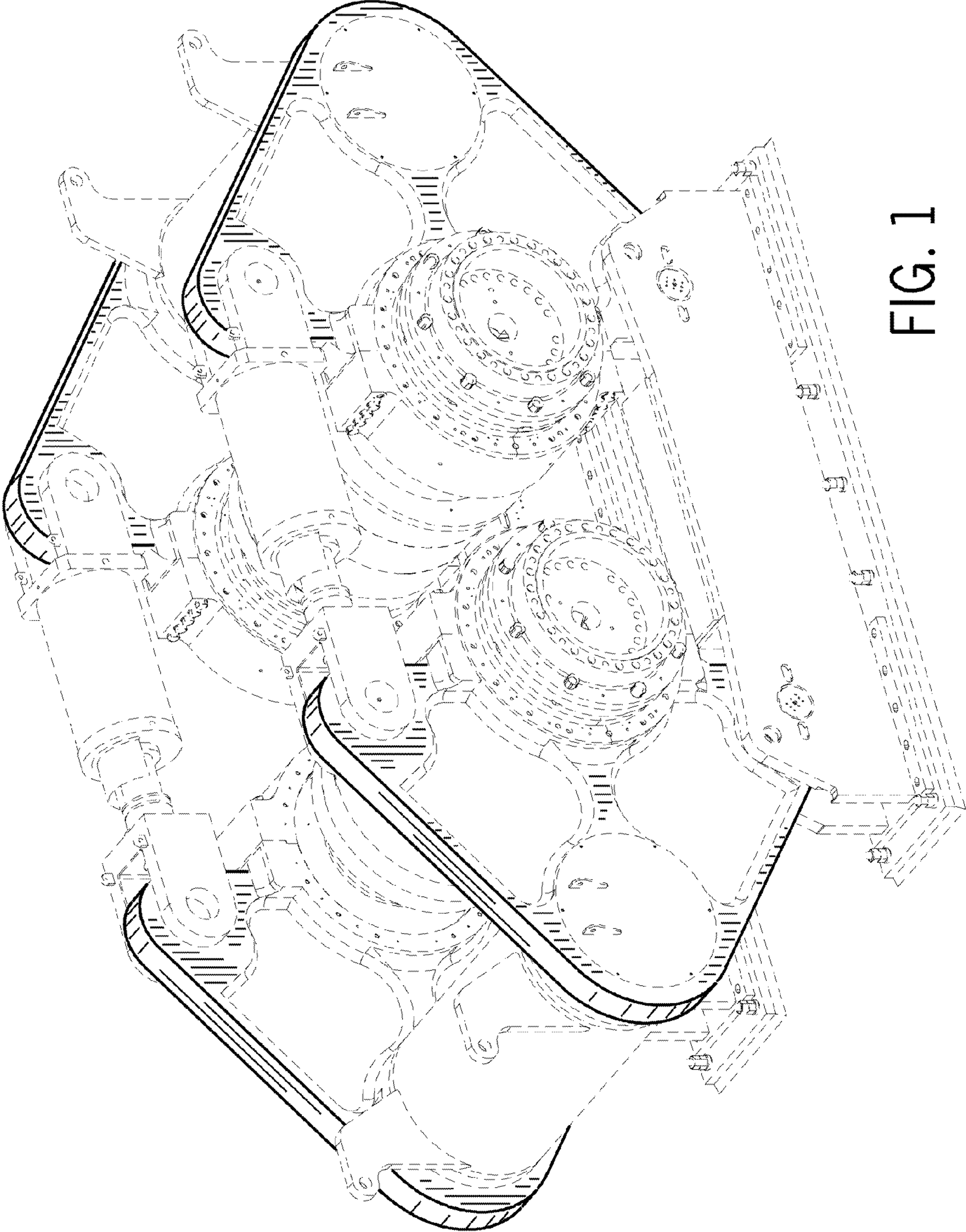


FIG. 1

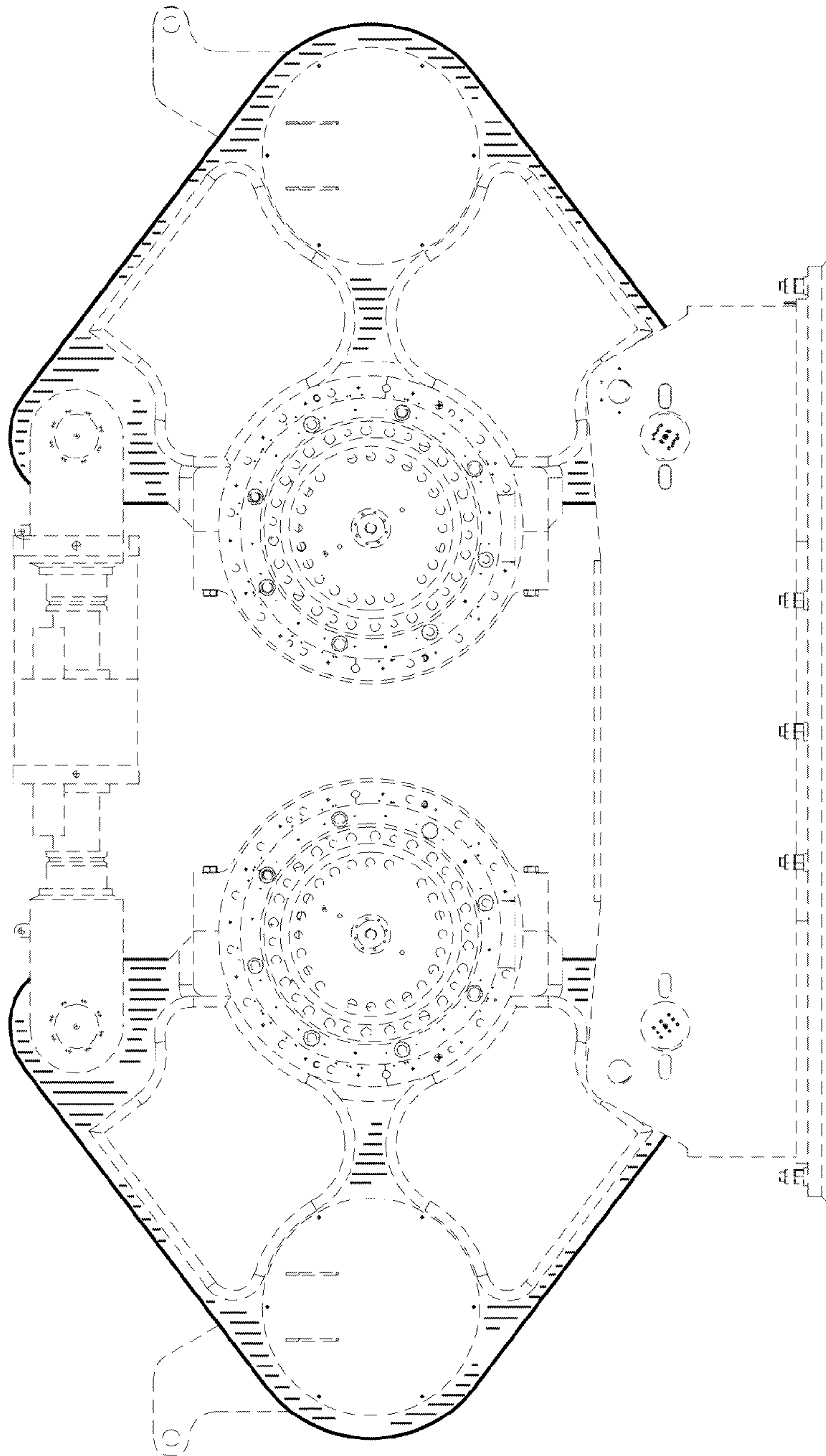


FIG. 2

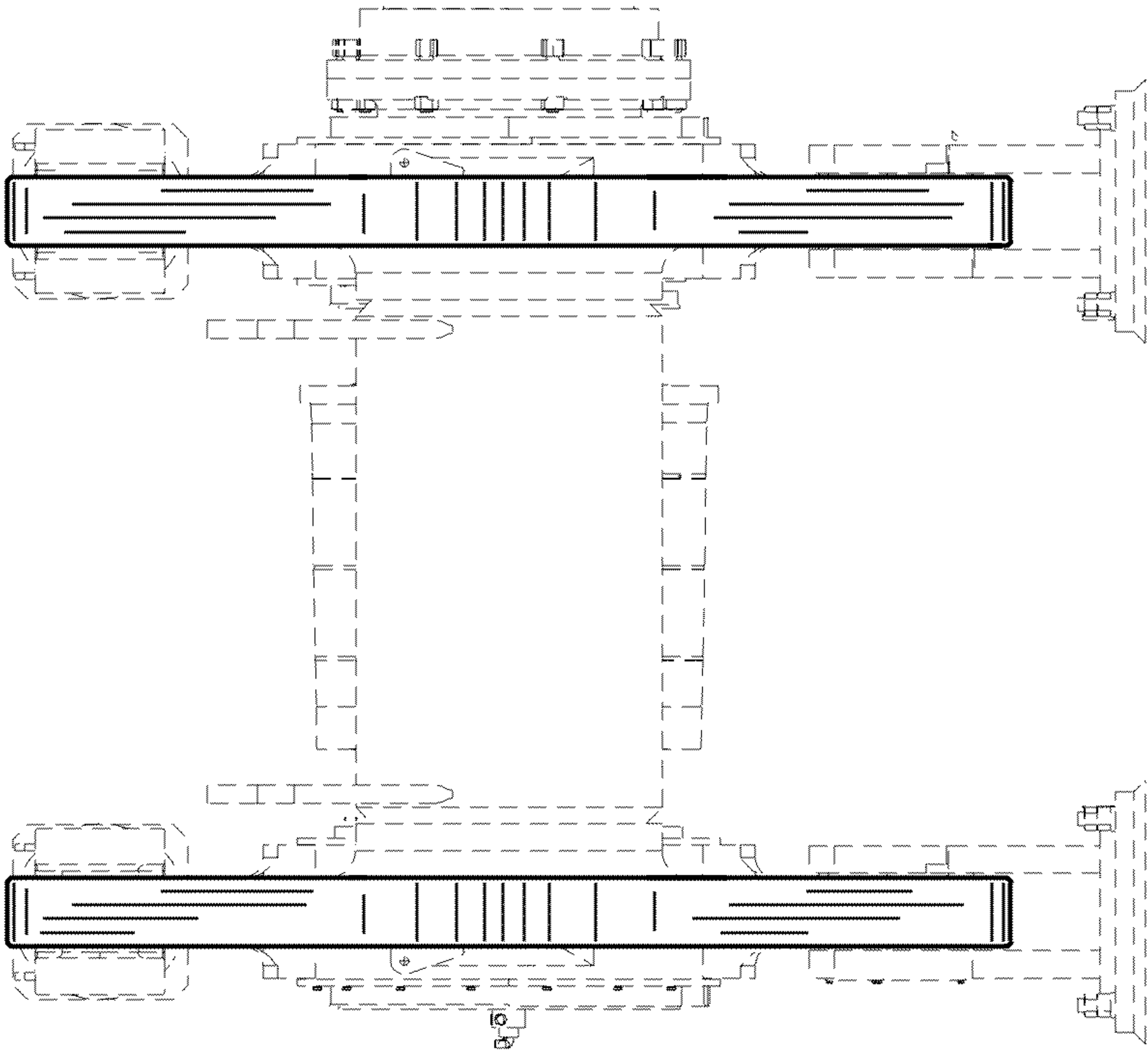


FIG. 3

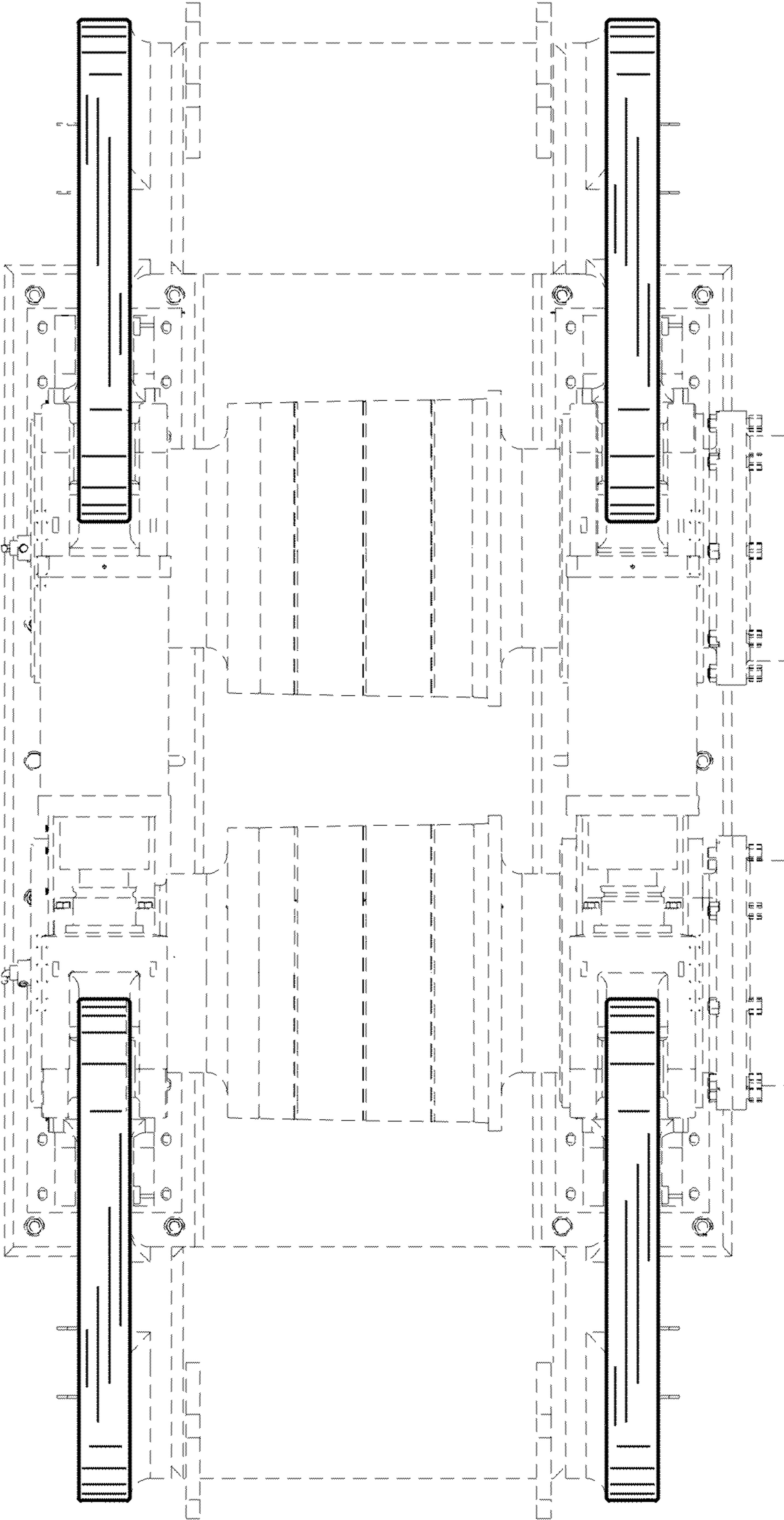


FIG. 4

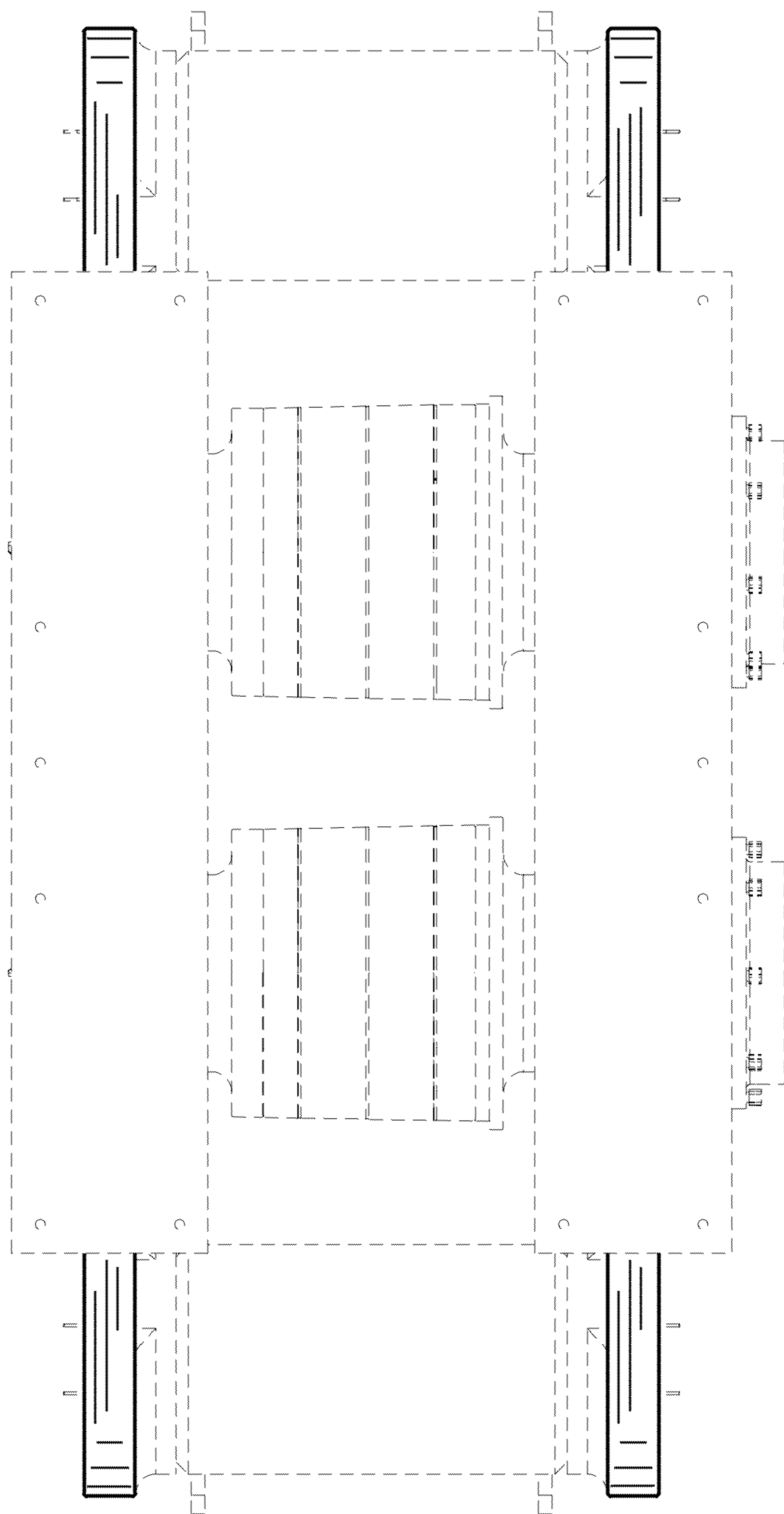


FIG. 5