



US00D716352S

(12) **United States Design Patent**
Jansson et al.

(10) **Patent No.:** **US D716,352 S**

(45) **Date of Patent:** **** Oct. 28, 2014**

(54) **BEARING HOUSING**

2004/0096134 A1* 5/2004 Ward 384/624

* cited by examiner

(75) Inventors: **Mikael Jansson**, Västerås (SE); **Jan Mårtensson**, Katrineholm (SE)

Primary Examiner — Patricia Palasik

(74) *Attorney, Agent, or Firm* — Buchanan Ingersoll & Rooney PC

(73) Assignee: **AB SKF**, Göteborg (SE)

(57) **CLAIM**

The ornamental design for a bearing housing, as shown and described.

(**) Term: **14 Years**

DESCRIPTION

(21) Appl. No.: **29/409,012**

FIG. 1 is a front perspective view of bearing housing showing a first embodiment of our new design.

(22) Filed: **Dec. 20, 2011**

FIG. 2 is a top perspective view thereof.

(30) **Foreign Application Priority Data**

Jun. 20, 2011 (EM) 001880097-0001

FIG. 3 is an end elevational view thereof, the other end being a mirror image thereof.

Jun. 20, 2011 (EM) 001880097-0002

FIG. 4 is a front elevational view thereof, the rear being a mirror image thereof.

Jun. 20, 2011 (EM) 001880097-0003

FIG. 5 is a top plan view thereof.

(51) **LOC (10) Cl.** **15-09**

FIG. 6 is a front perspective view of bearing housing showing a second embodiment of our new design.

(52) **U.S. Cl.**

USPC **D15/123**

FIG. 7 is a top perspective view thereof.

(58) **Field of Classification Search**

USPC D15/143

FIG. 8 is an end elevational view thereof, the other end being a mirror image thereof.

See application file for complete search history.

FIG. 9 is a front elevational view thereof, the rear being a mirror image thereof.

(56) **References Cited**

U.S. PATENT DOCUMENTS

3,873,167 A * 3/1975 Anderson 384/495

FIG. 10 is a top plan view thereof.

D269,786 S * 7/1983 Ostling D15/143

FIG. 11 is a front perspective view of bearing housing showing a third embodiment of our new design.

D297,942 S * 10/1988 Somarakis D15/143

FIG. 12 is a top perspective view thereof.

D343,179 S * 1/1994 Waskiewicz D15/143

FIG. 13 is an end elevational view thereof, the other end being a mirror image thereof.

D376,160 S * 12/1996 Waskiewicz D15/143

FIG. 14 is a front elevational view thereof, the rear being a mirror image thereof; and,

D427,217 S * 6/2000 Ostling D15/143

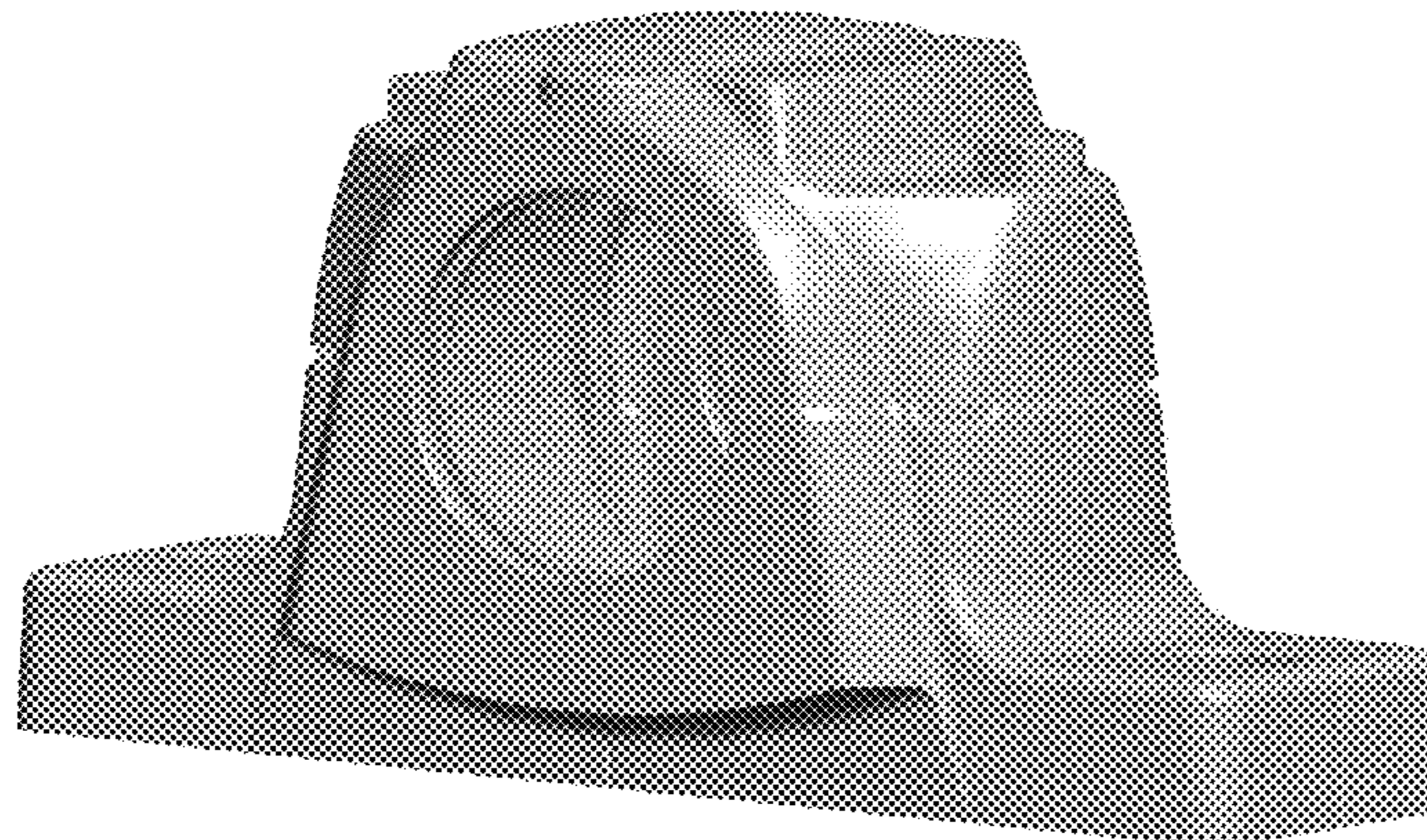
FIG. 15 is a top plan view thereof.

D446,230 S * 8/2001 Olsson D15/143

D616,004 S * 5/2010 Andersson et al. D15/143

D693,392 S * 11/2013 Hall et al. D15/143

1 Claim, 15 Drawing Sheets



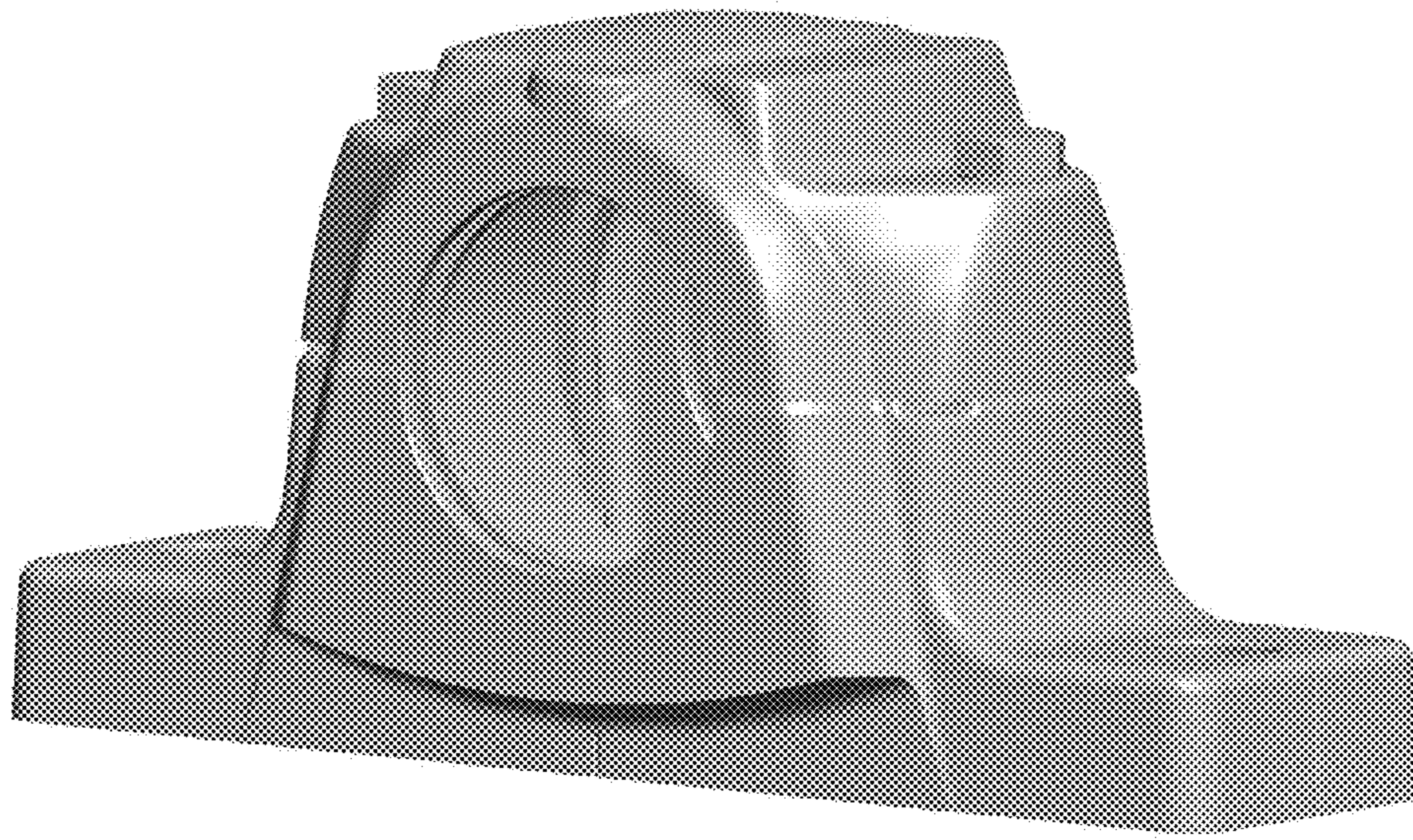


FIG. 1

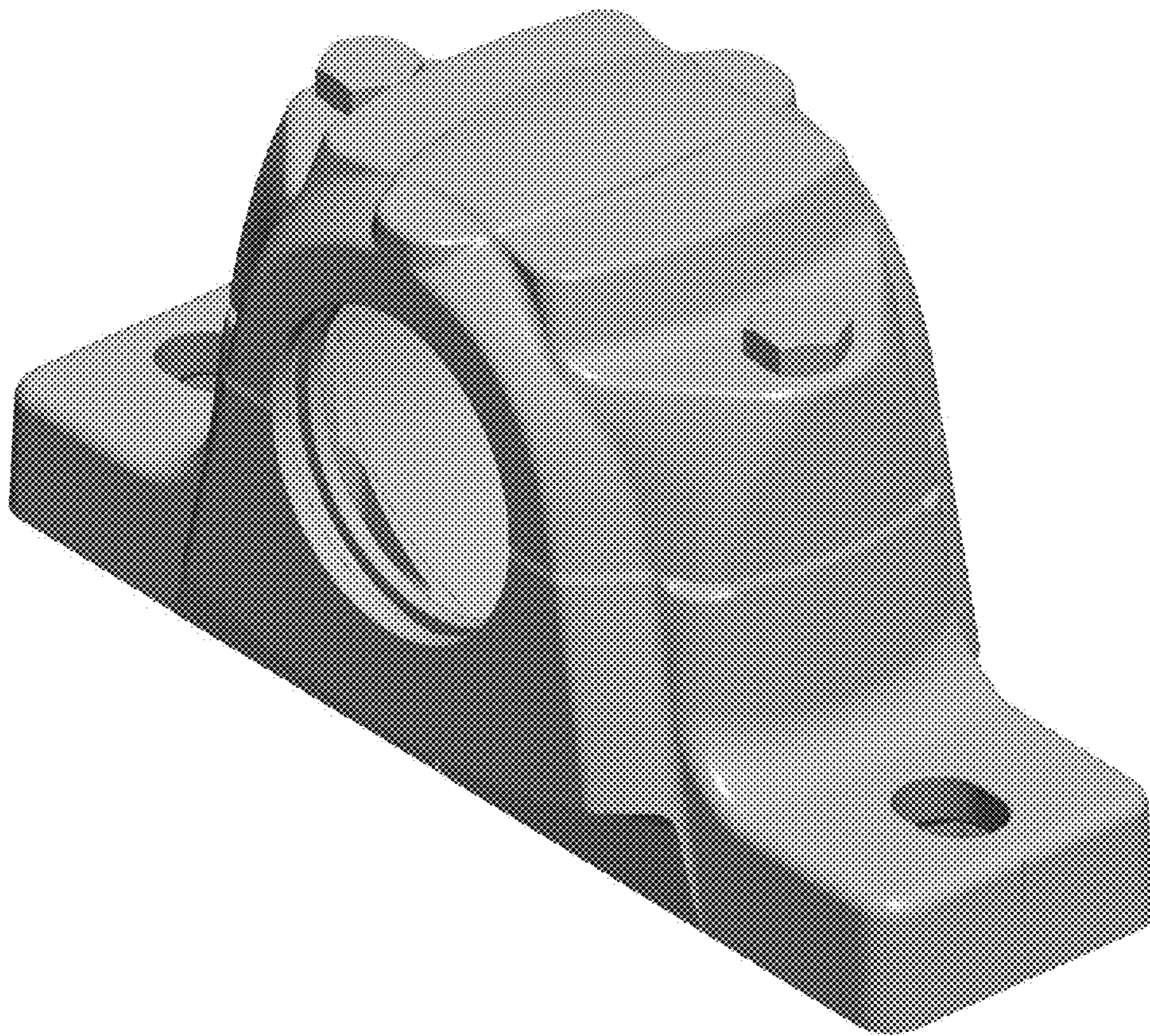


FIG. 2

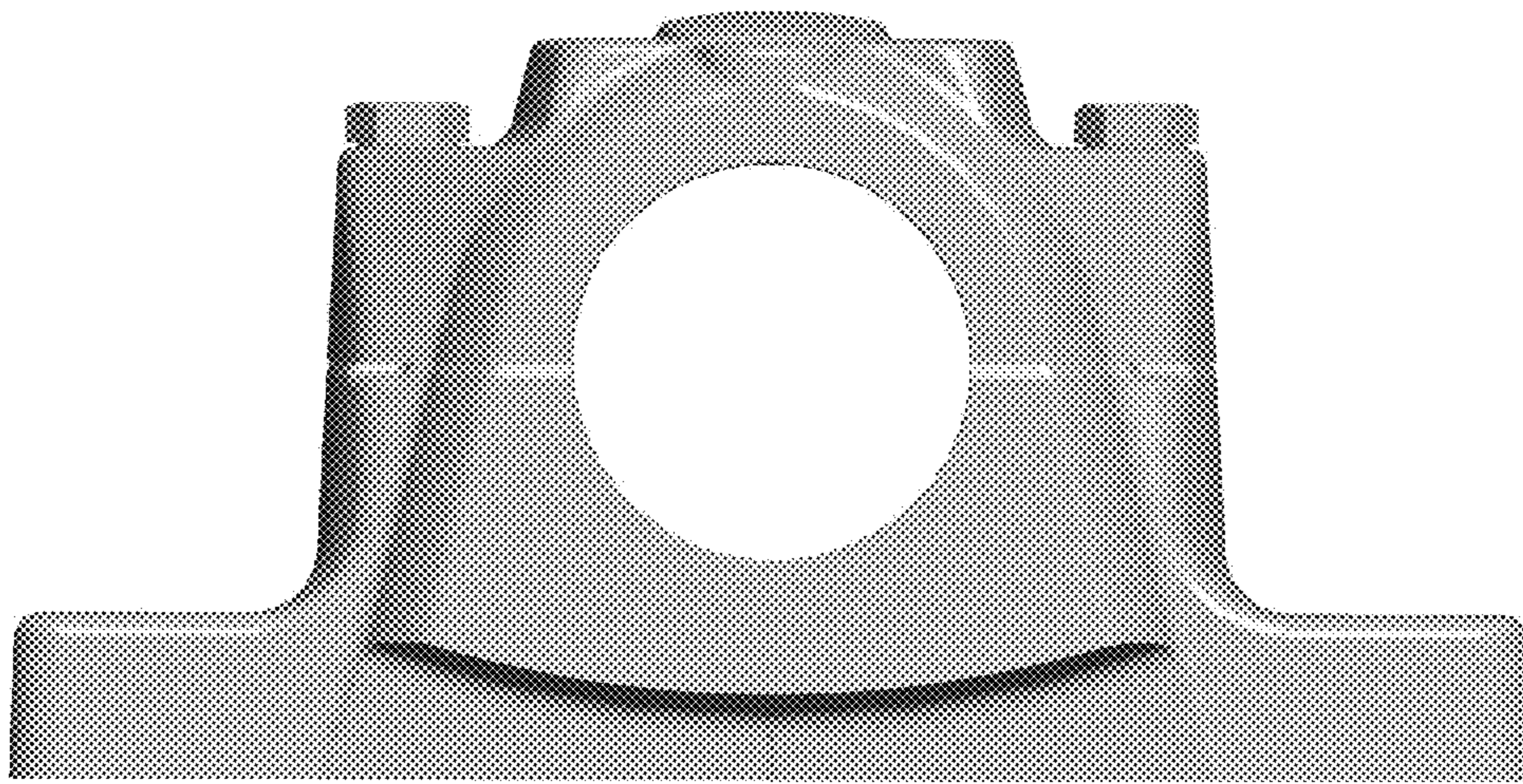


FIG. 3

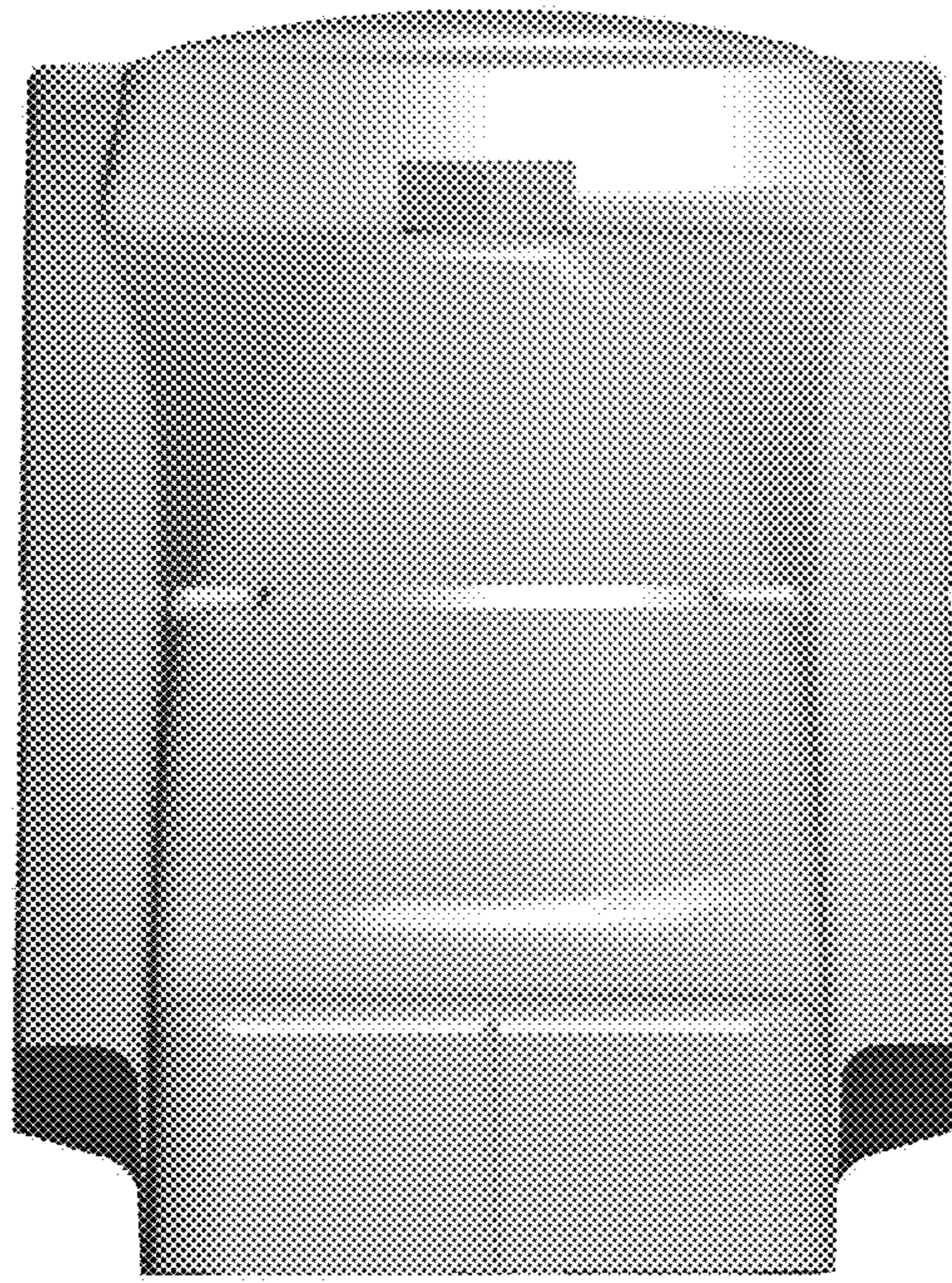


FIG. 4

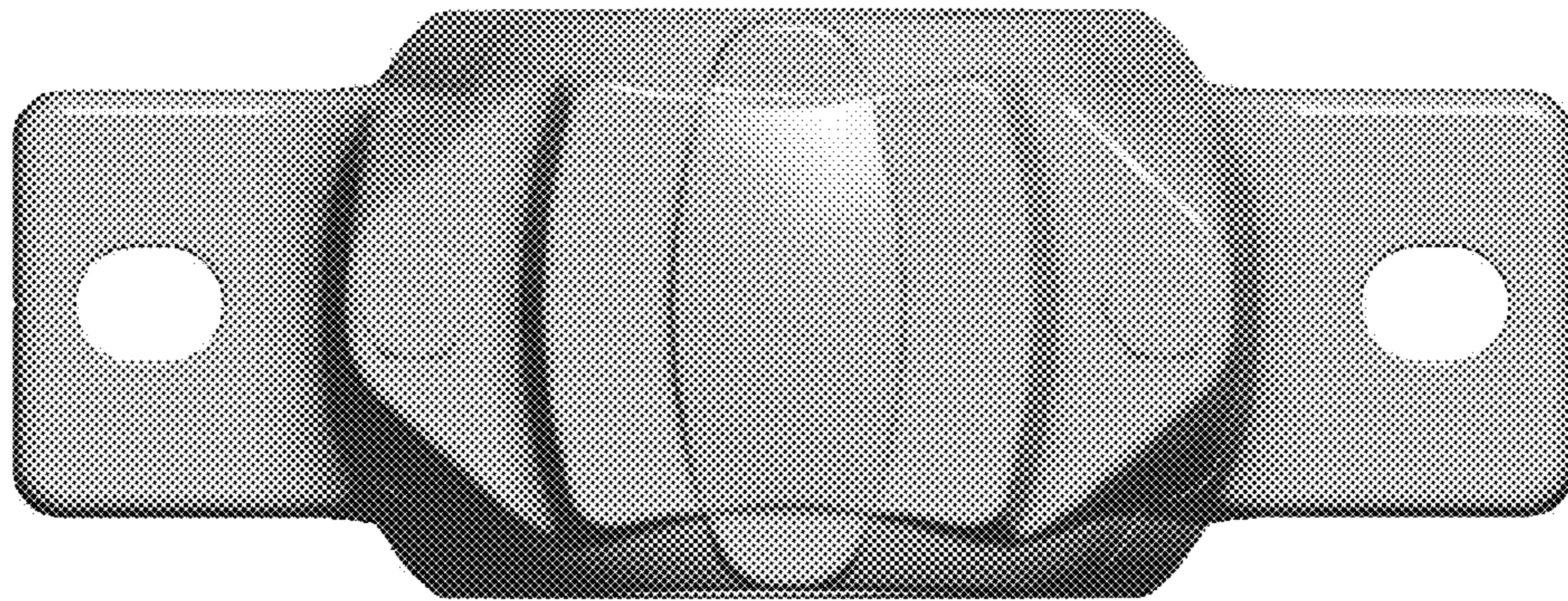


FIG. 5

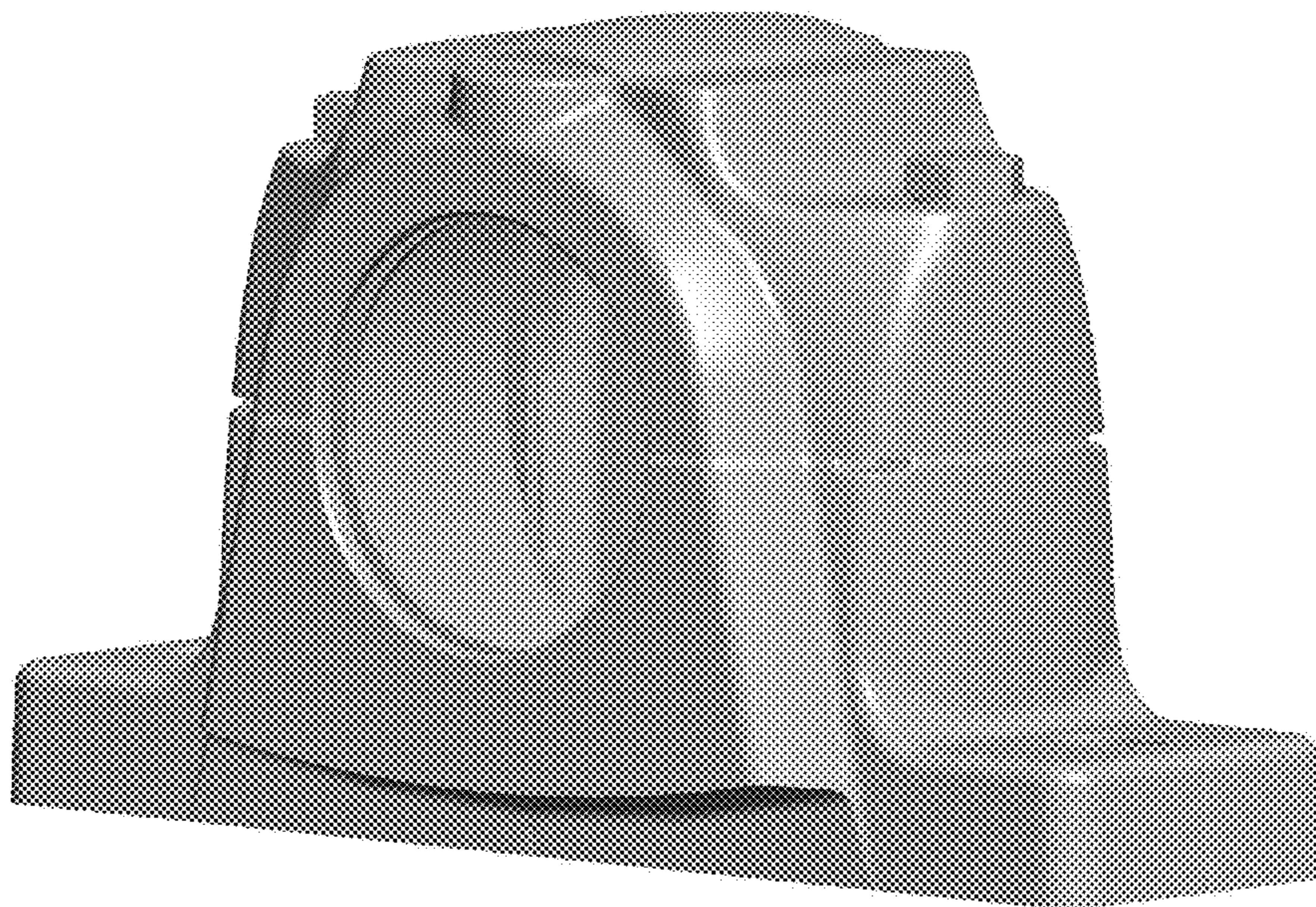


FIG. 6

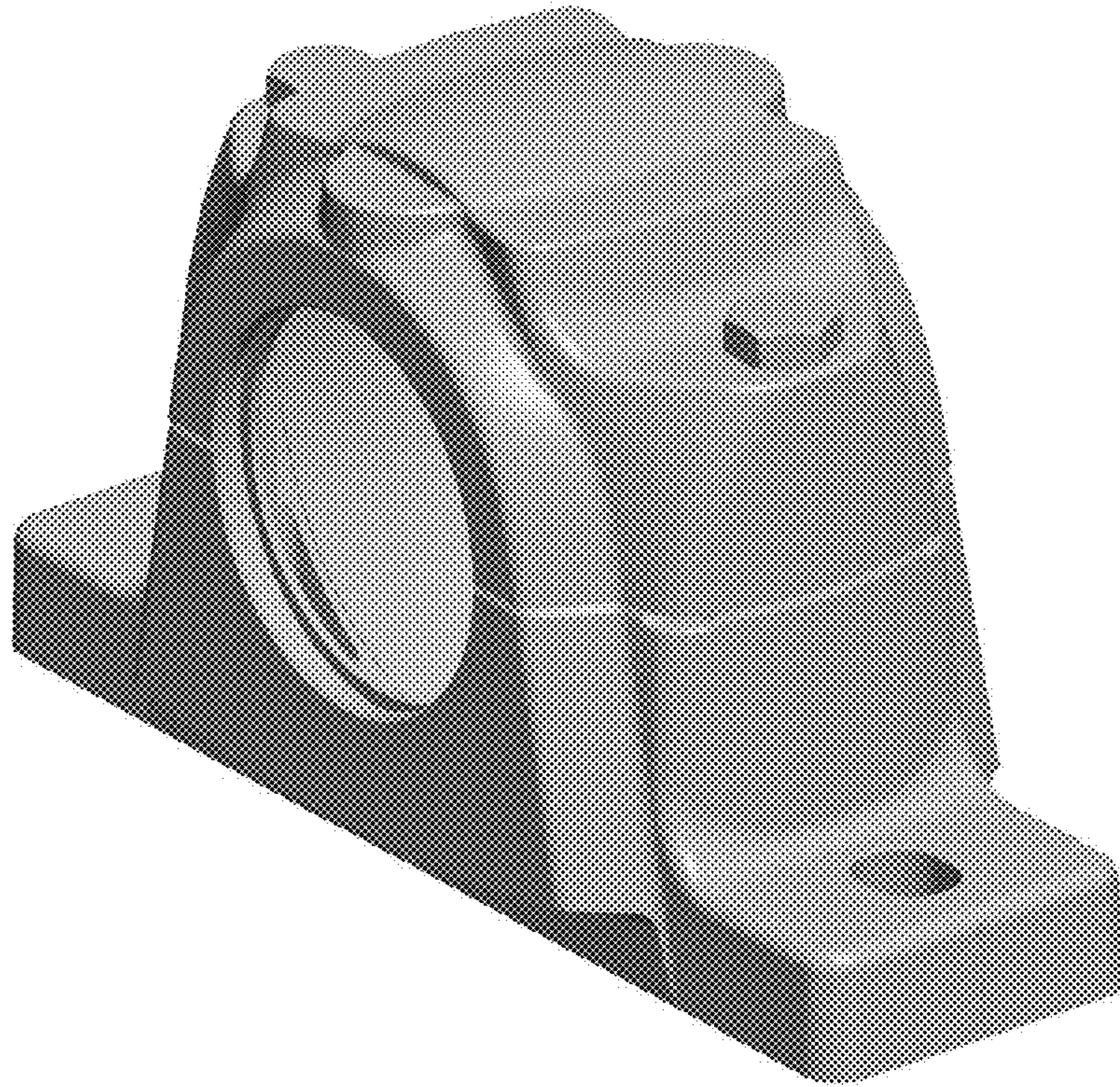


FIG. 7

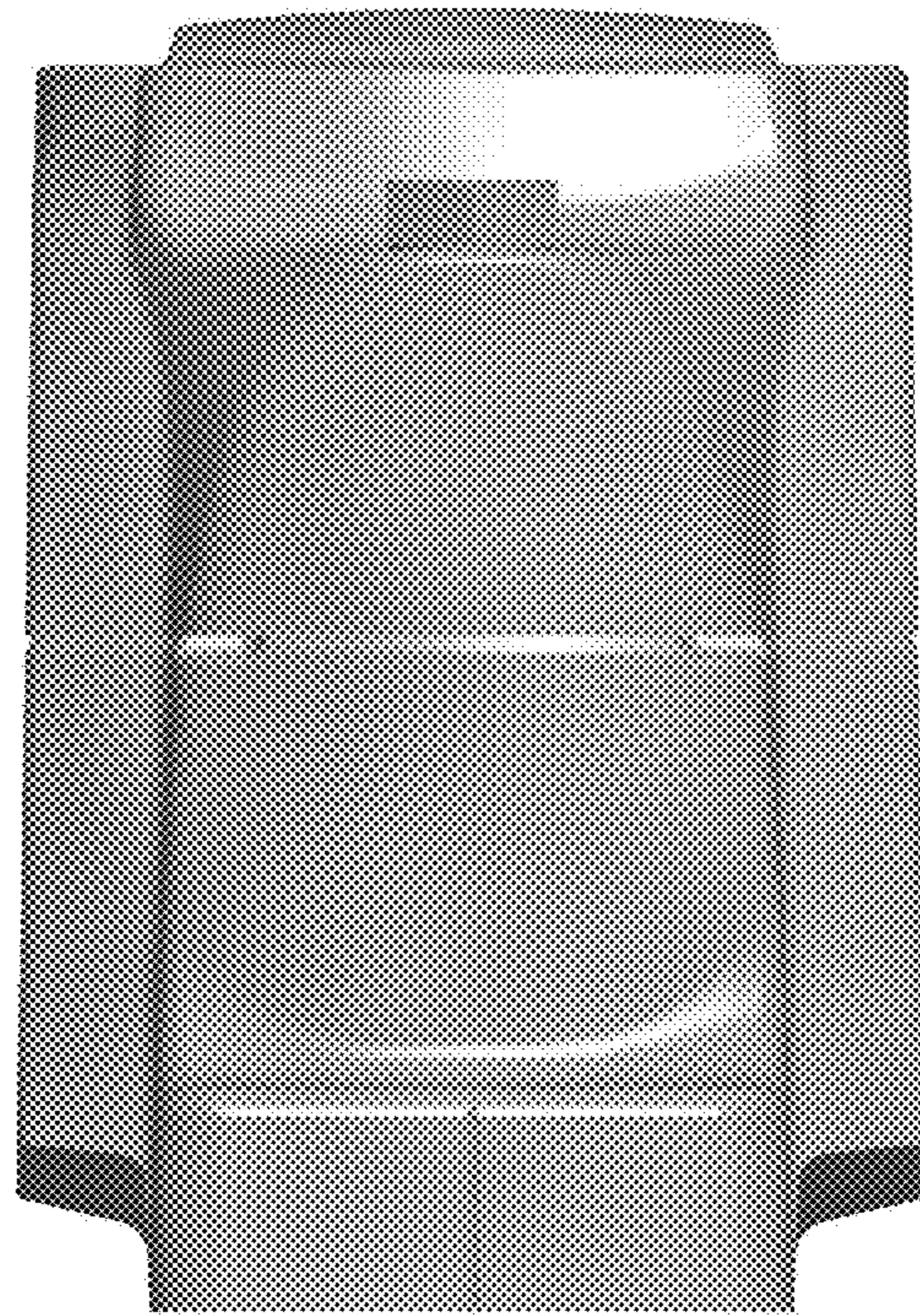


FIG. 8

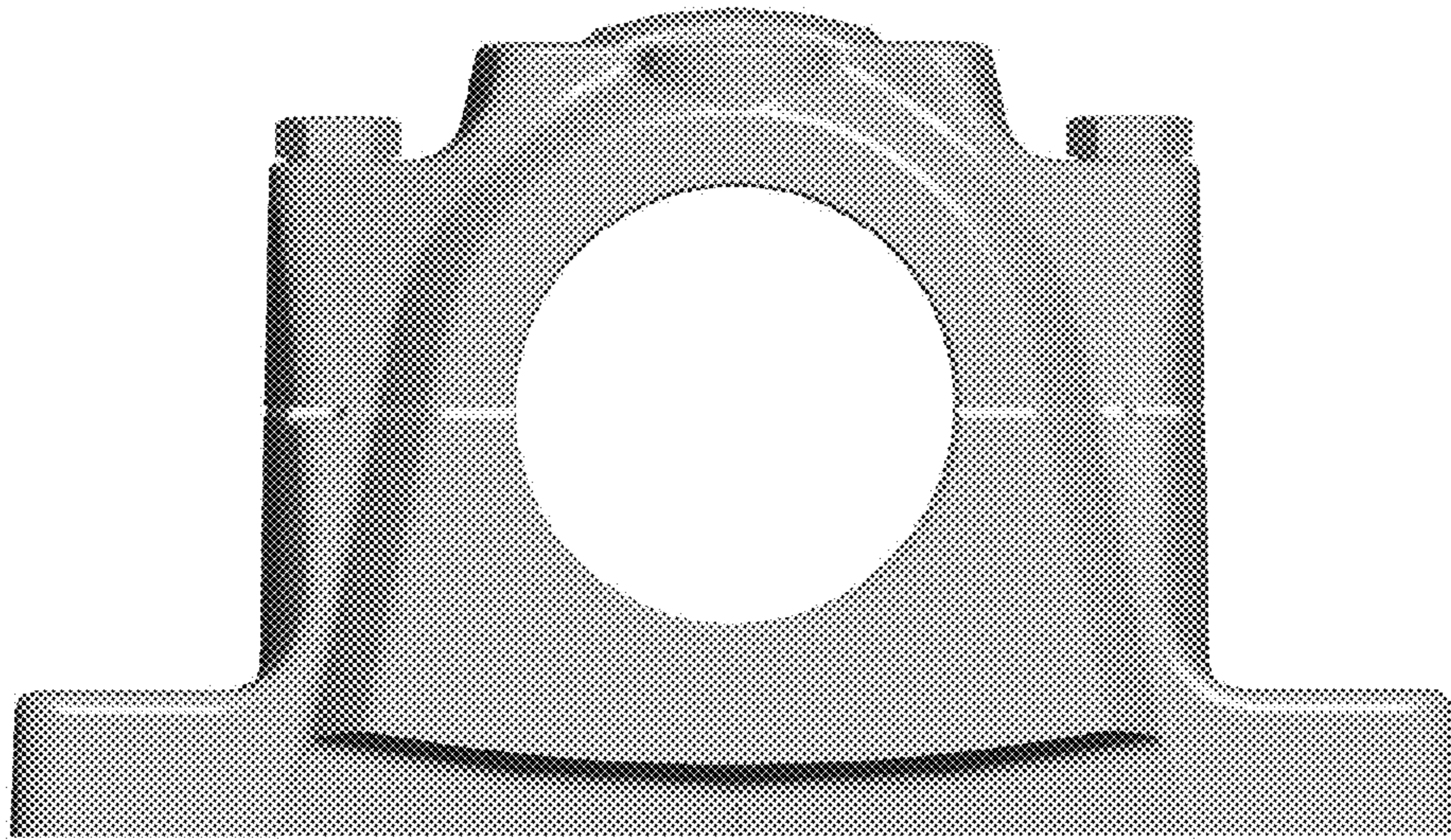


FIG. 9

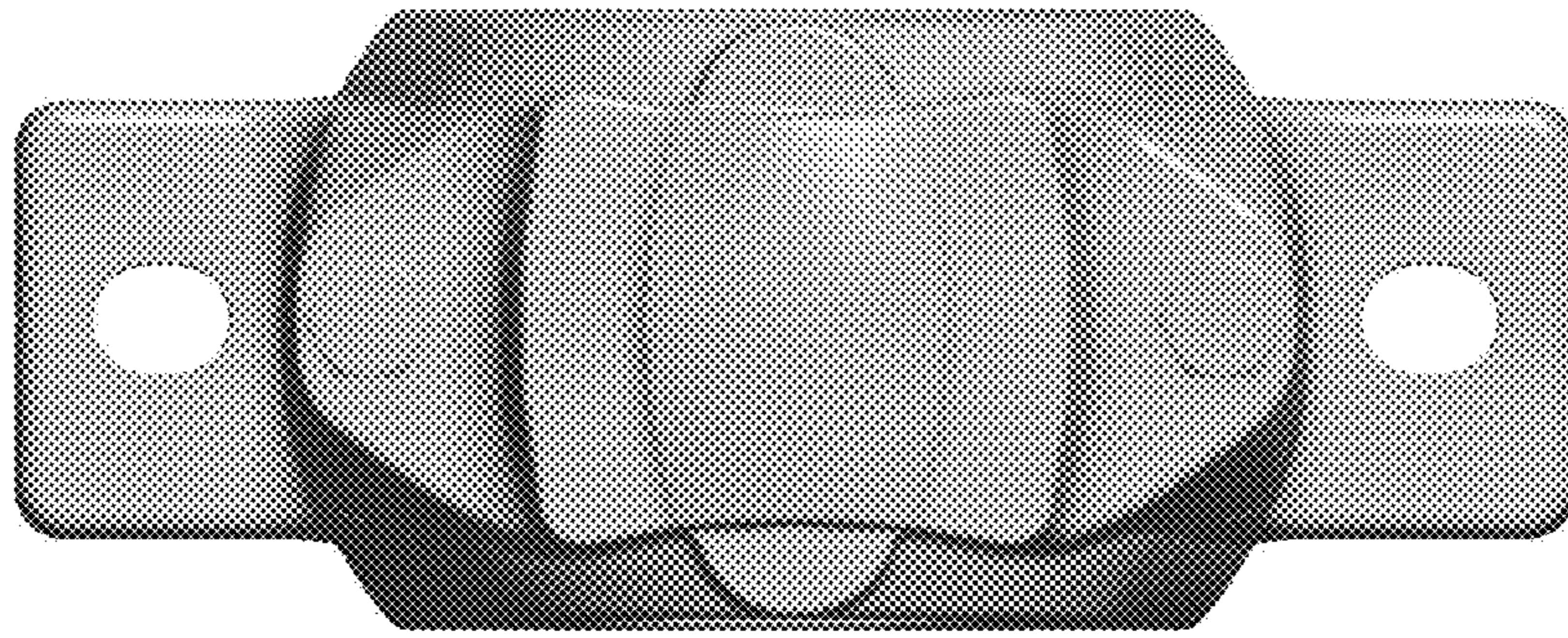


FIG. 10

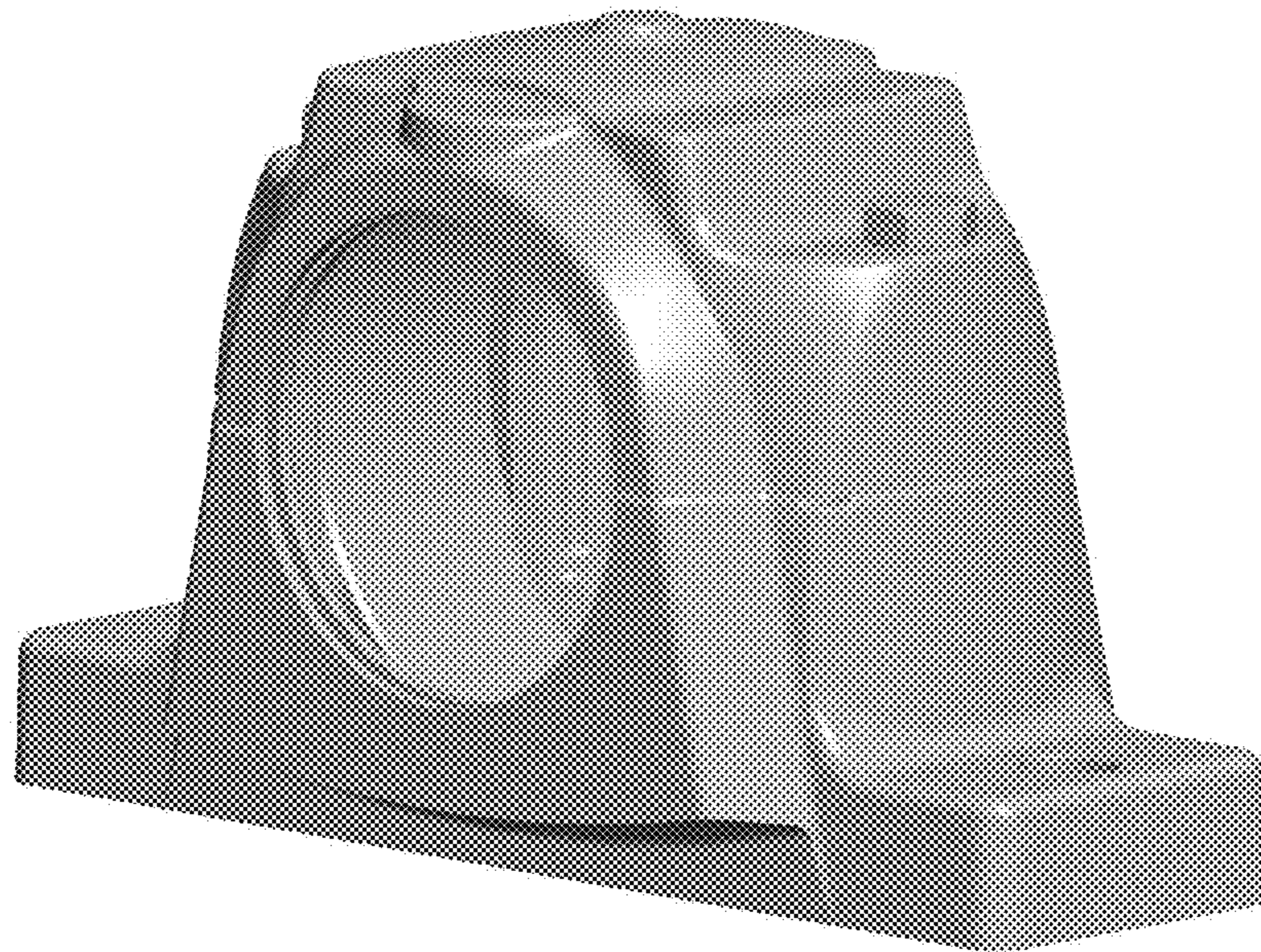


FIG. 11

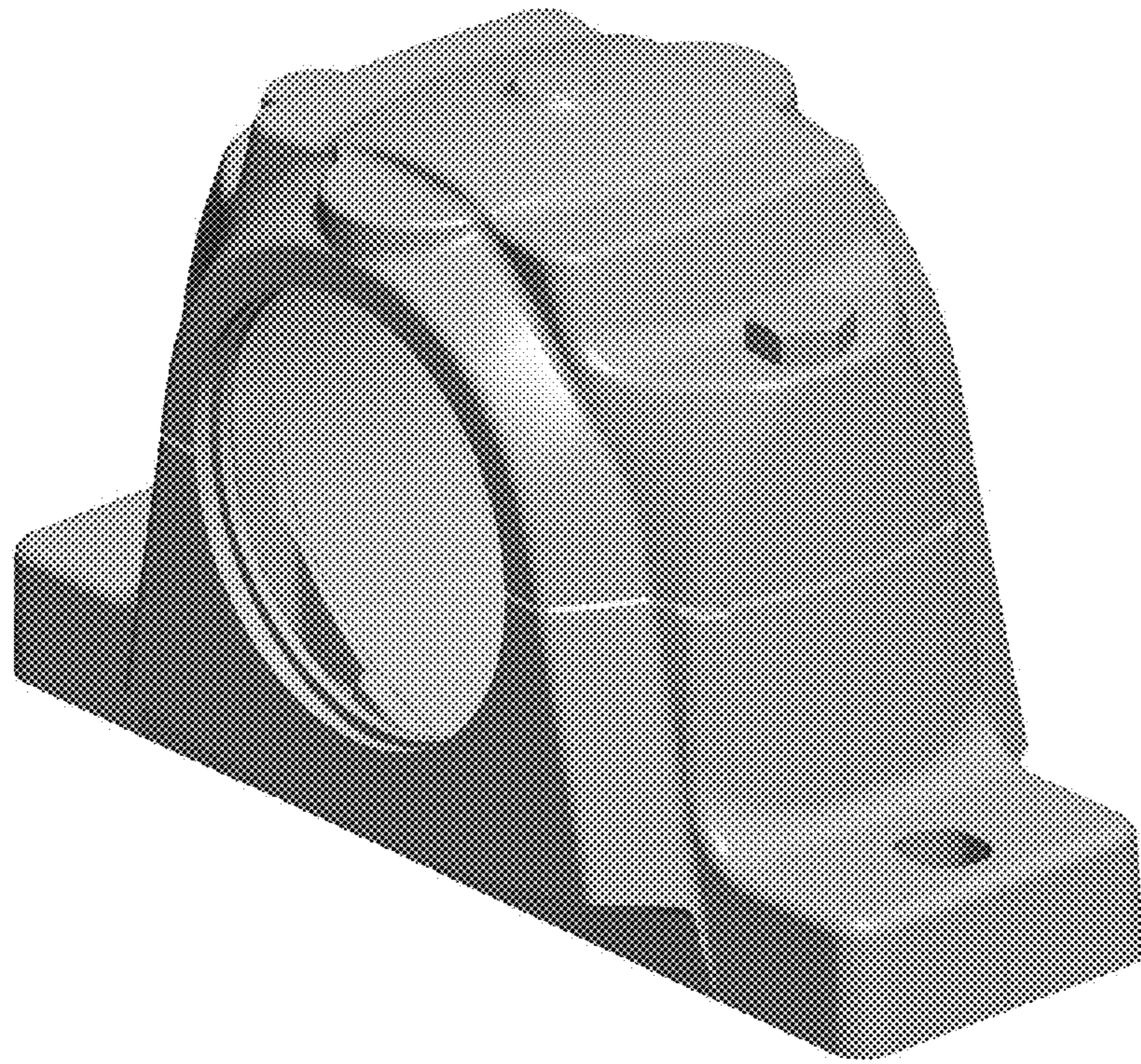


FIG. 12

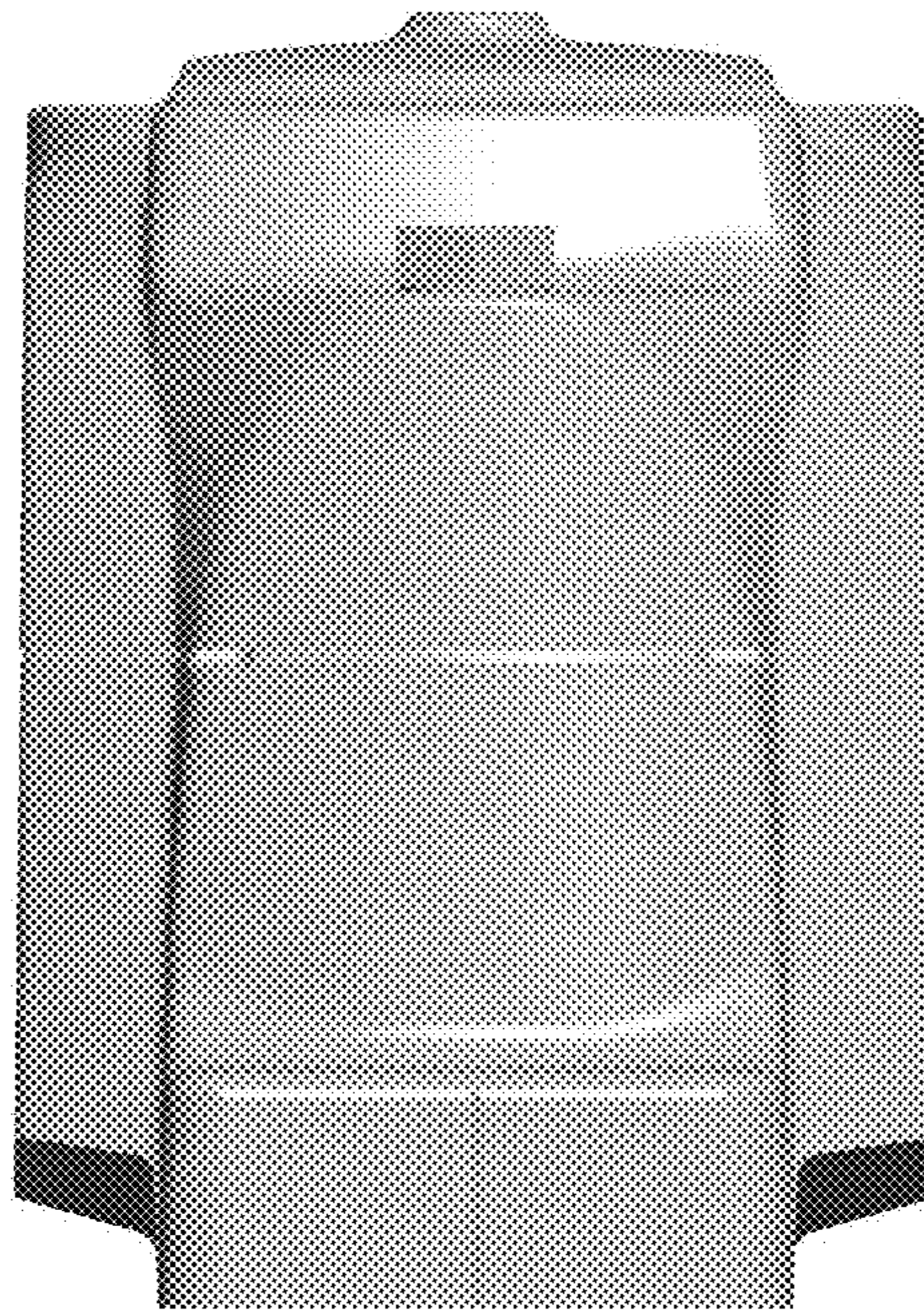


FIG. 13

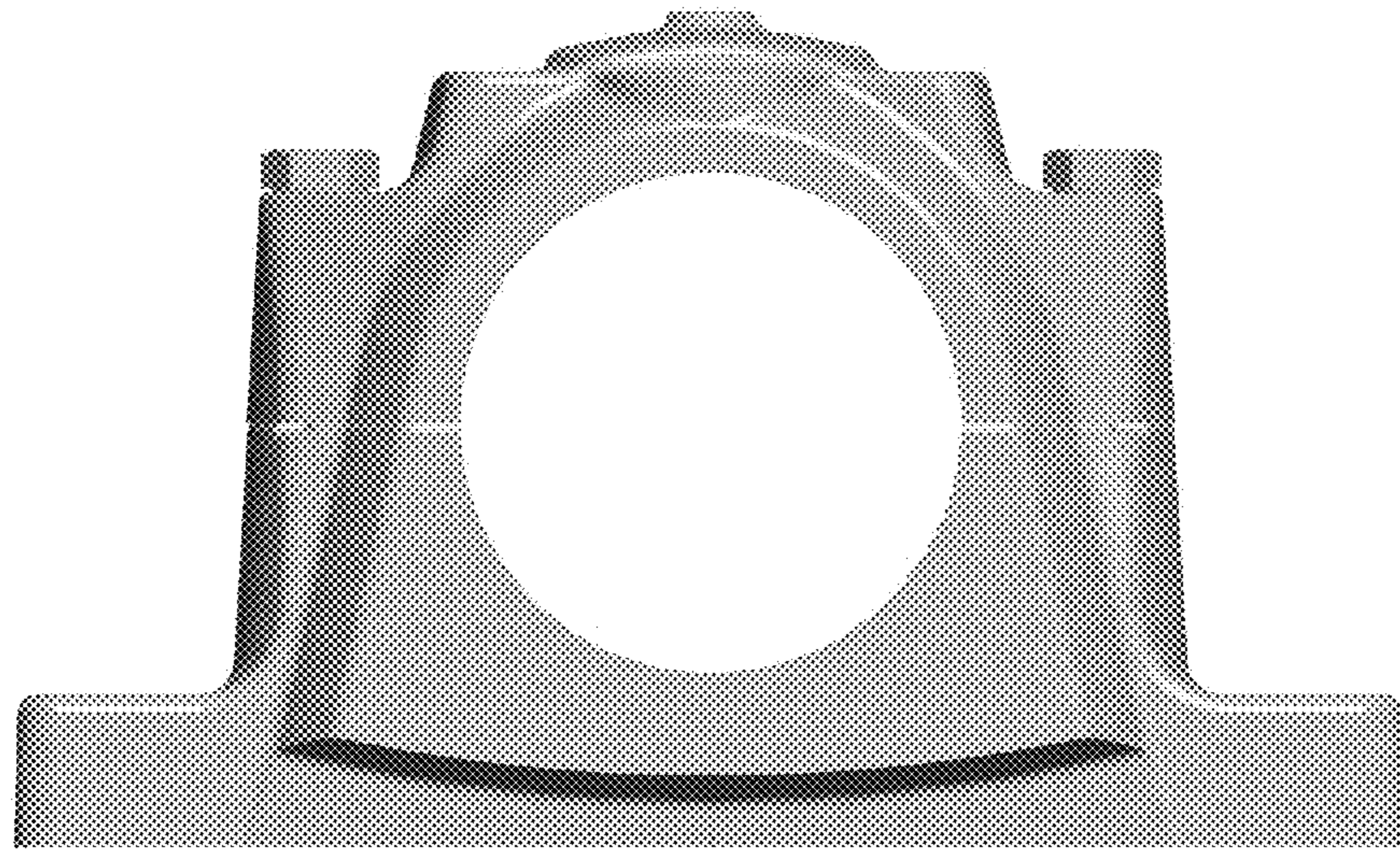


FIG. 14

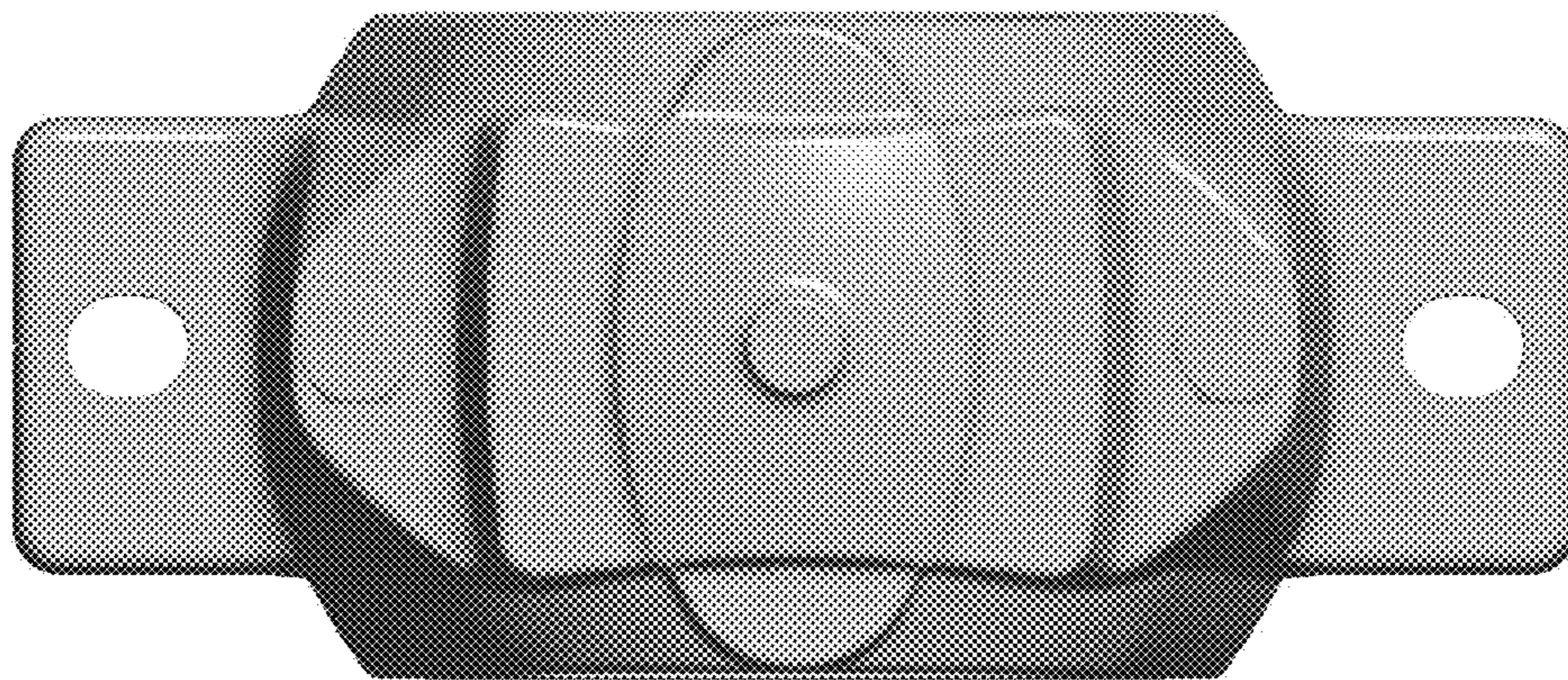


FIG. 15