



US00D716351S

(12) **United States Design Patent**  
**Kitamura et al.**

(10) **Patent No.:** **US D716,351 S**  
(45) **Date of Patent:** **\*\* Oct. 28, 2014**

(54) **MACHINING CENTER**

(56) **References Cited**

(71) Applicants: **Akihiro Kitamura**, Takaoka (JP);  
**Kosaku Kitamura**, Takaoka (JP);  
**Takashi Asano**, Takaoka (JP); **Takayuki Yamazaki**, Takaoka (JP)  
(72) Inventors: **Akihiro Kitamura**, Takaoka (JP);  
**Kosaku Kitamura**, Takaoka (JP);  
**Takashi Asano**, Takaoka (JP); **Takayuki Yamazaki**, Takaoka (JP)

U.S. PATENT DOCUMENTS

D495,723	S	*	9/2004	Kawamura et al.	.....	D15/127
D559,871	S	*	1/2008	Kittaka et al.	.....	D15/122
D635,596	S	*	4/2011	Hiroshima et al.	.....	D15/122
D636,796	S	*	4/2011	Hiroshima et al.	.....	D15/122
D667,030	S	*	9/2012	Hiroshima et al.	.....	D15/122
D690,331	S	*	9/2013	Kitamura	.....	D15/122
D693,859	S	*	11/2013	Kitamura	.....	D15/122
2013/0201656	A1	*	8/2013	Kitamura	.....	362/89

\* cited by examiner

*Primary Examiner* — Patricia Palasik

(73) Assignee: **Kitamura Machinery Co., Ltd.**,  
Takaoka-Shi (JP)

(74) *Attorney, Agent, or Firm* — Manabu Kanesaka

(\*\*) Term: **14 Years**

(57) **CLAIM**

The ornamental design for a machining center, as shown and described.

(21) Appl. No.: **29/463,811**

**DESCRIPTION**

(22) Filed: **Mar. 11, 2014**

FIG. 1 is a front right-side perspective view of a machining center showing our new design;  
FIG. 2 is a front left-side perspective view thereof;  
FIG. 3 is a front view thereof;  
FIG. 4 is a back view thereof;  
FIG. 5 is a left side view thereof;  
FIG. 6 is a right side view thereof;  
FIG. 7 is a plan view thereof;  
FIG. 8 is a bottom view thereof; and,  
FIG. 9 is a perspective view thereof, from a front left side in a state in which a window is open.  
The broken lines depict portions of the machining center that form no part of claimed design.

(30) **Foreign Application Priority Data**

Sep. 13, 2013 (JP) ..... 2013-021311

(51) **LOC (10) Cl.** ..... **15-09**

(52) **U.S. Cl.**  
USPC ..... **D15/122**

(58) **Field of Classification Search**  
USPC ..... D15/122; 29/39, 50, 563–566,  
29/564.1–564.8; 483/17–57  
See application file for complete search history.

**1 Claim, 9 Drawing Sheets**

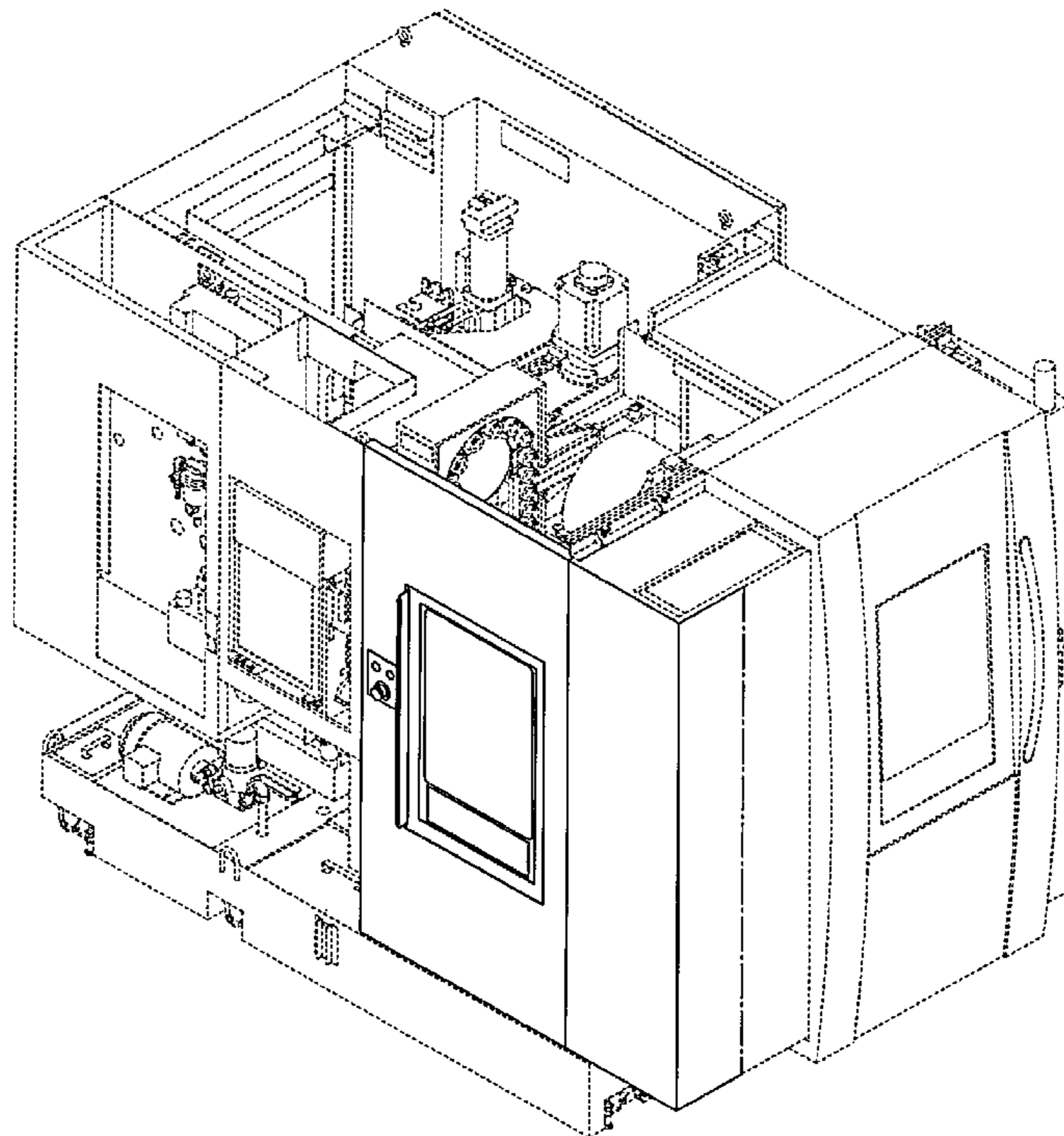


Fig. 1

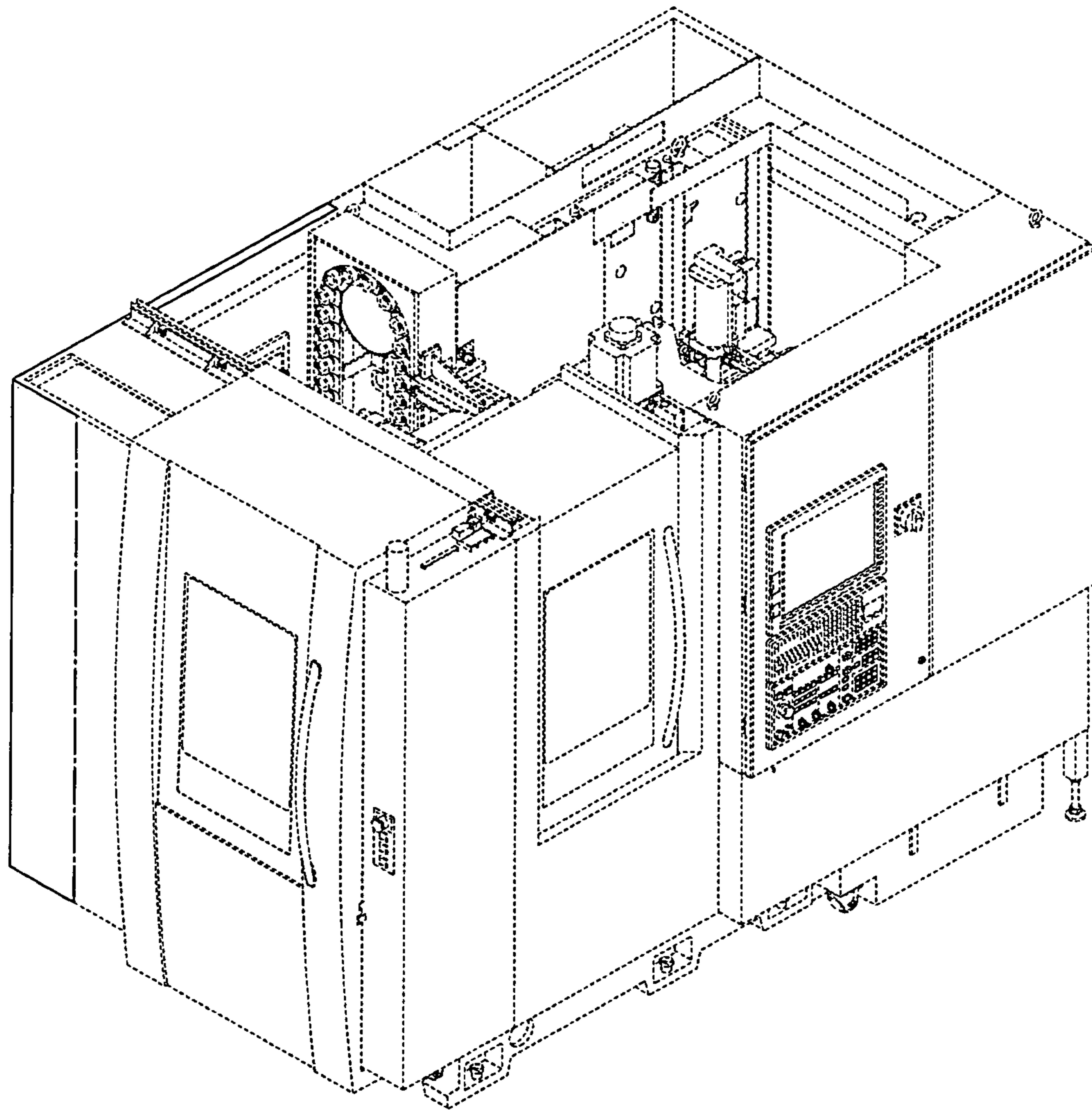


Fig. 2

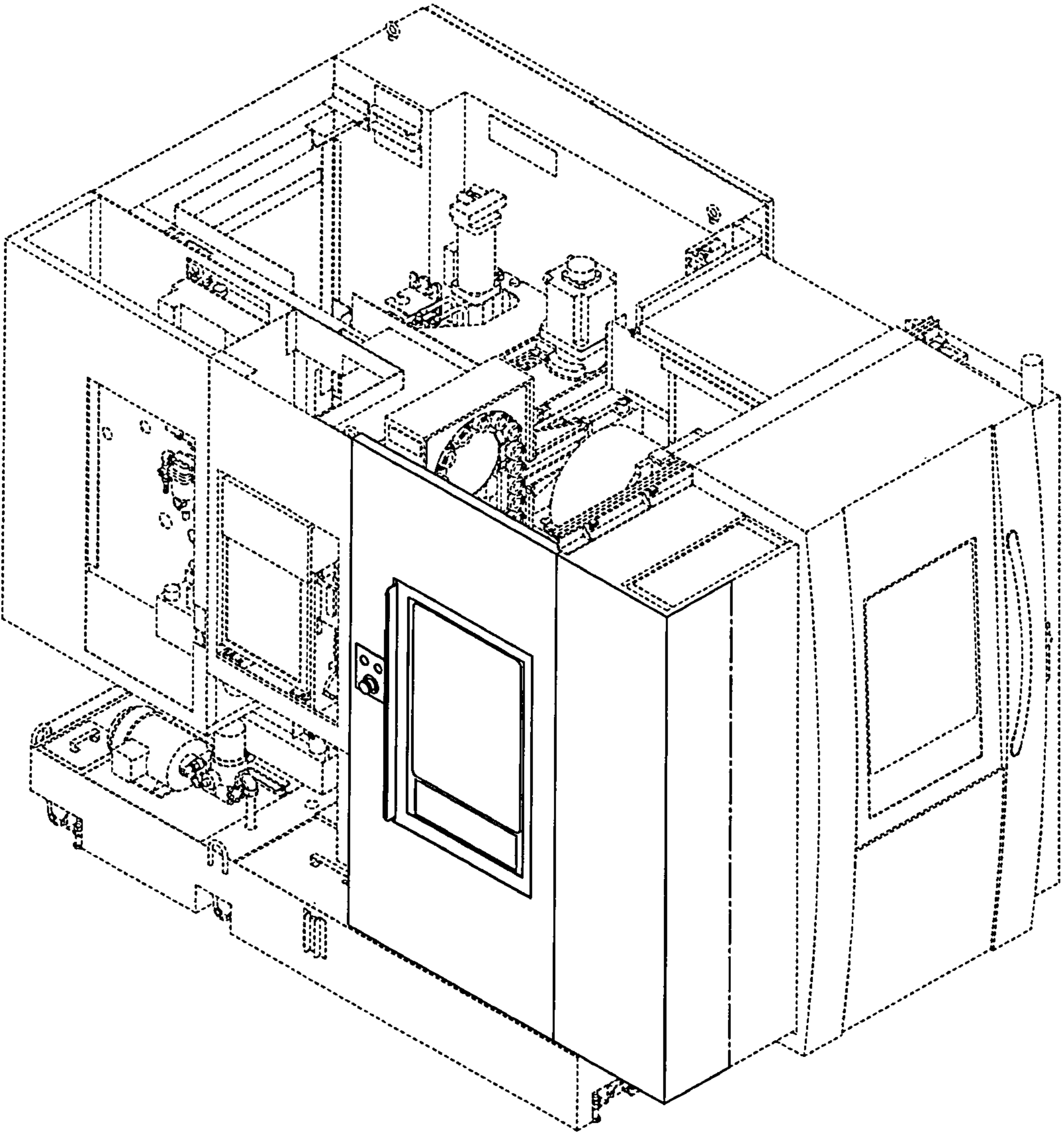




Fig. 3

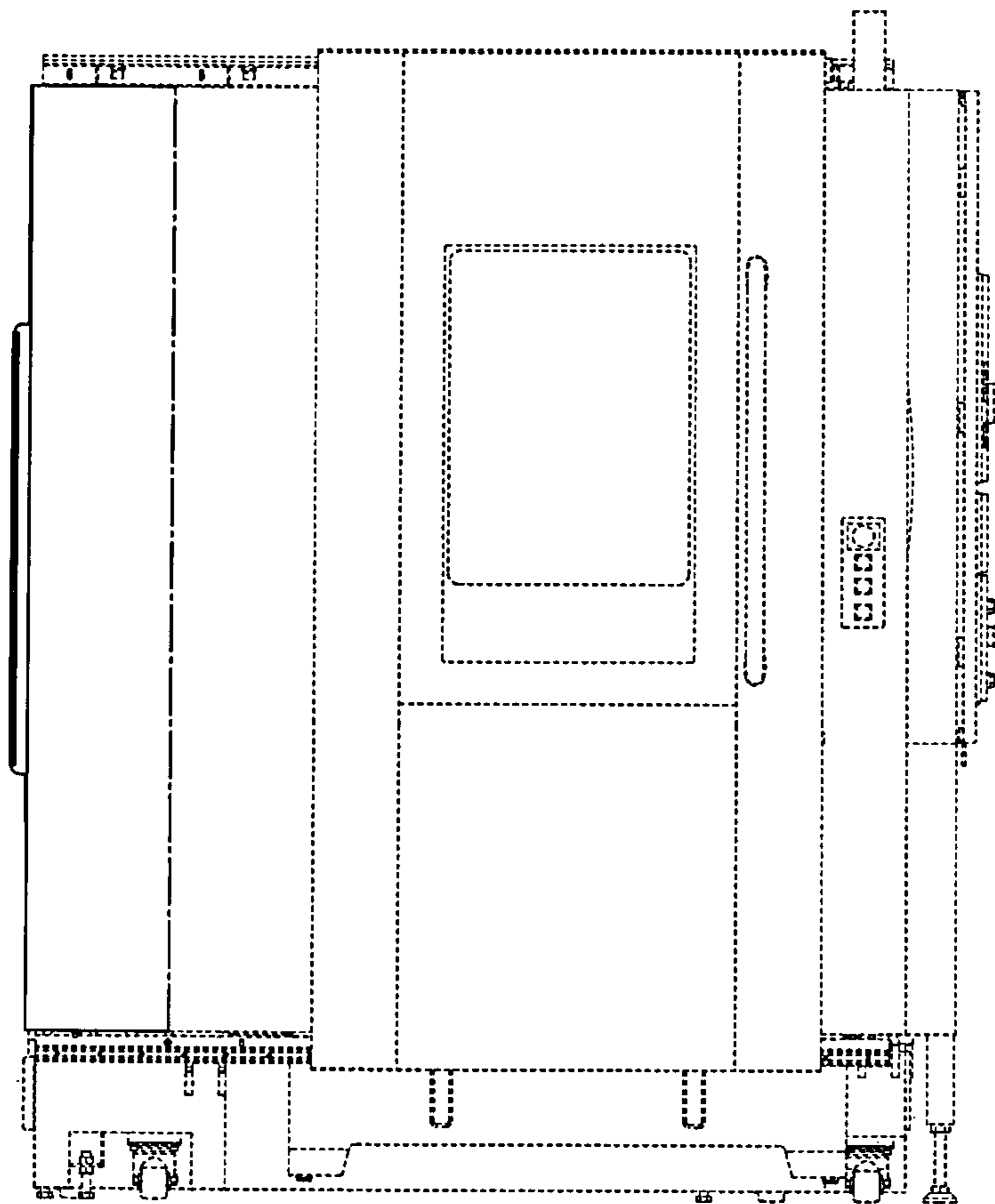


Fig. 4

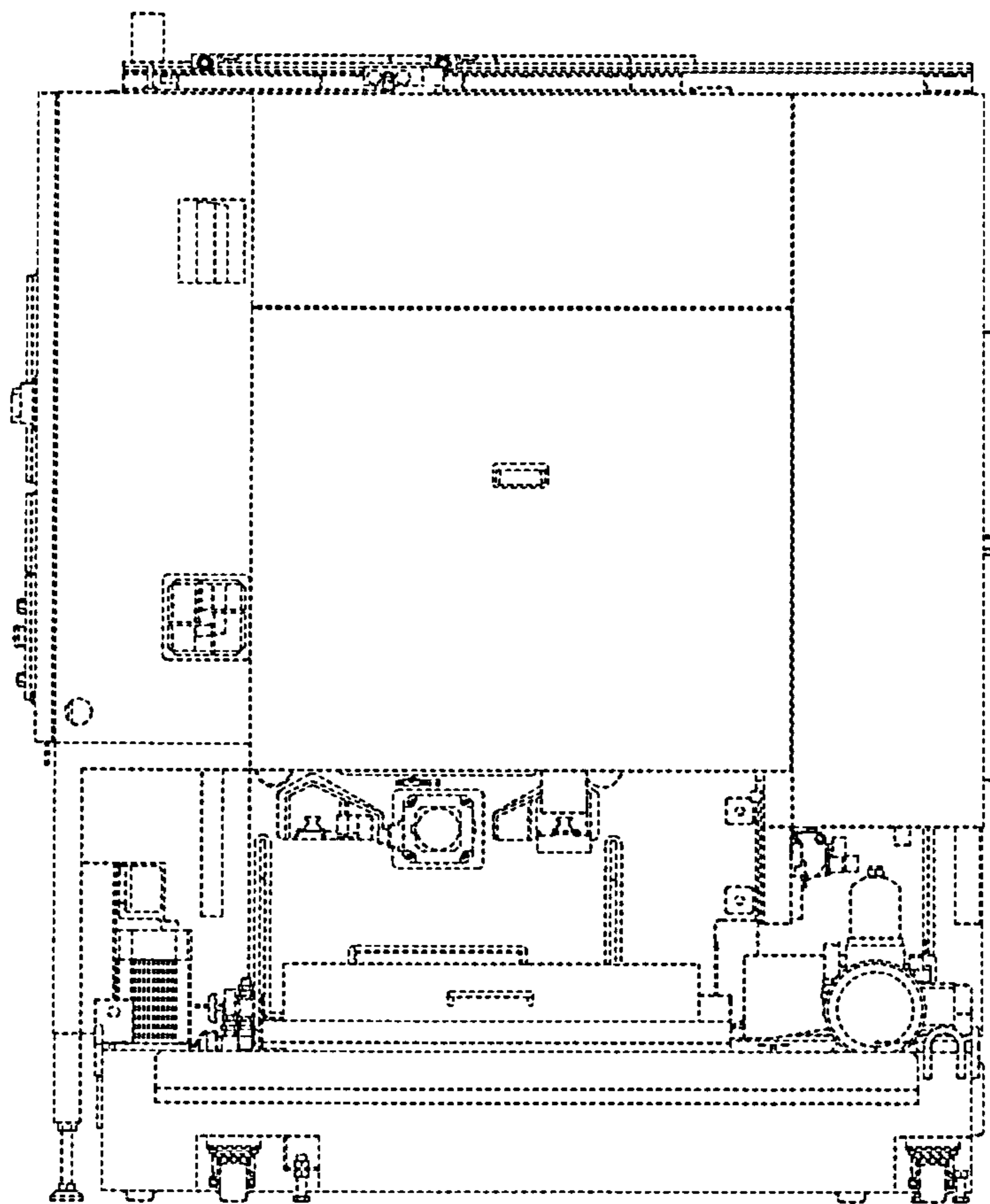


Fig. 5

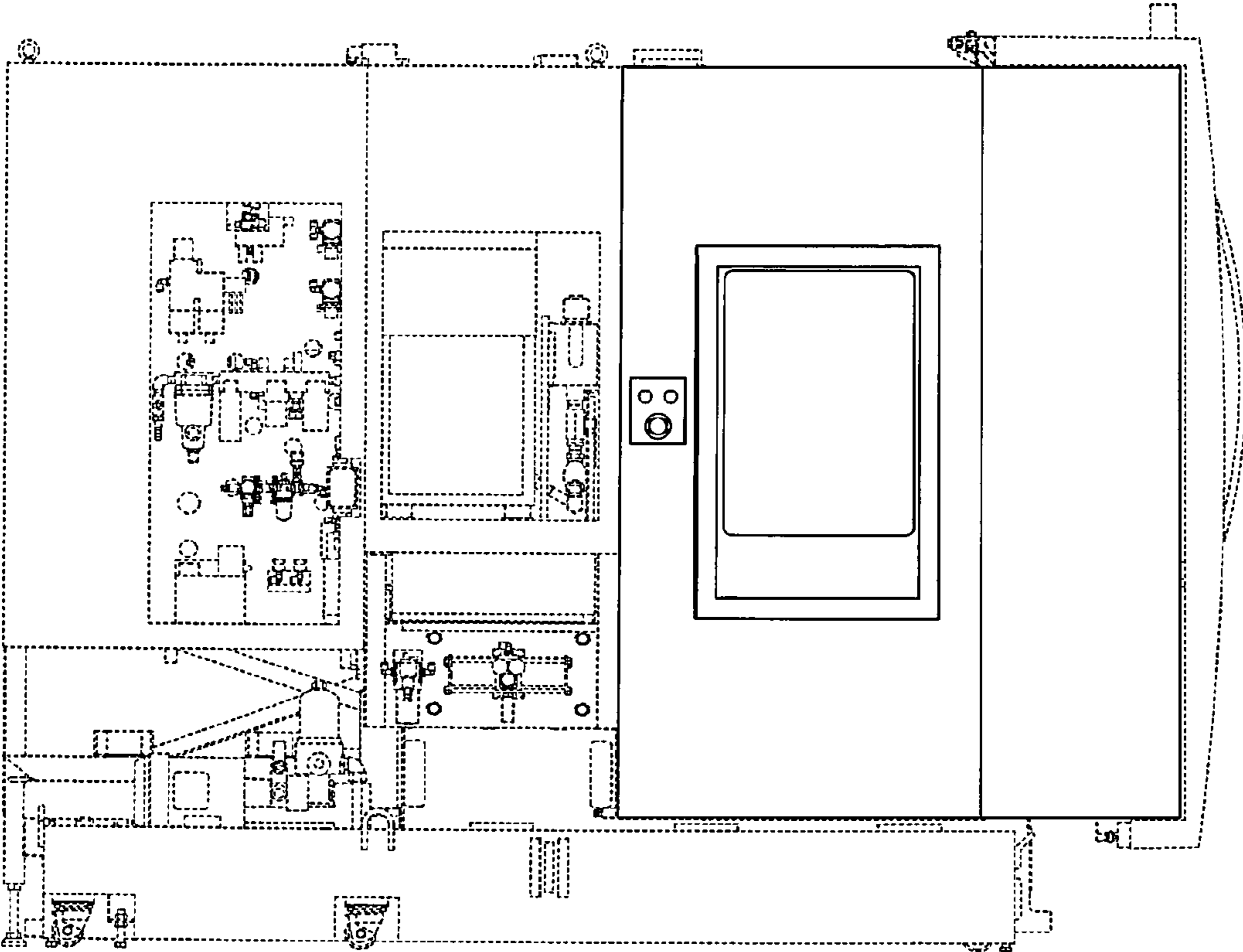


Fig. 6

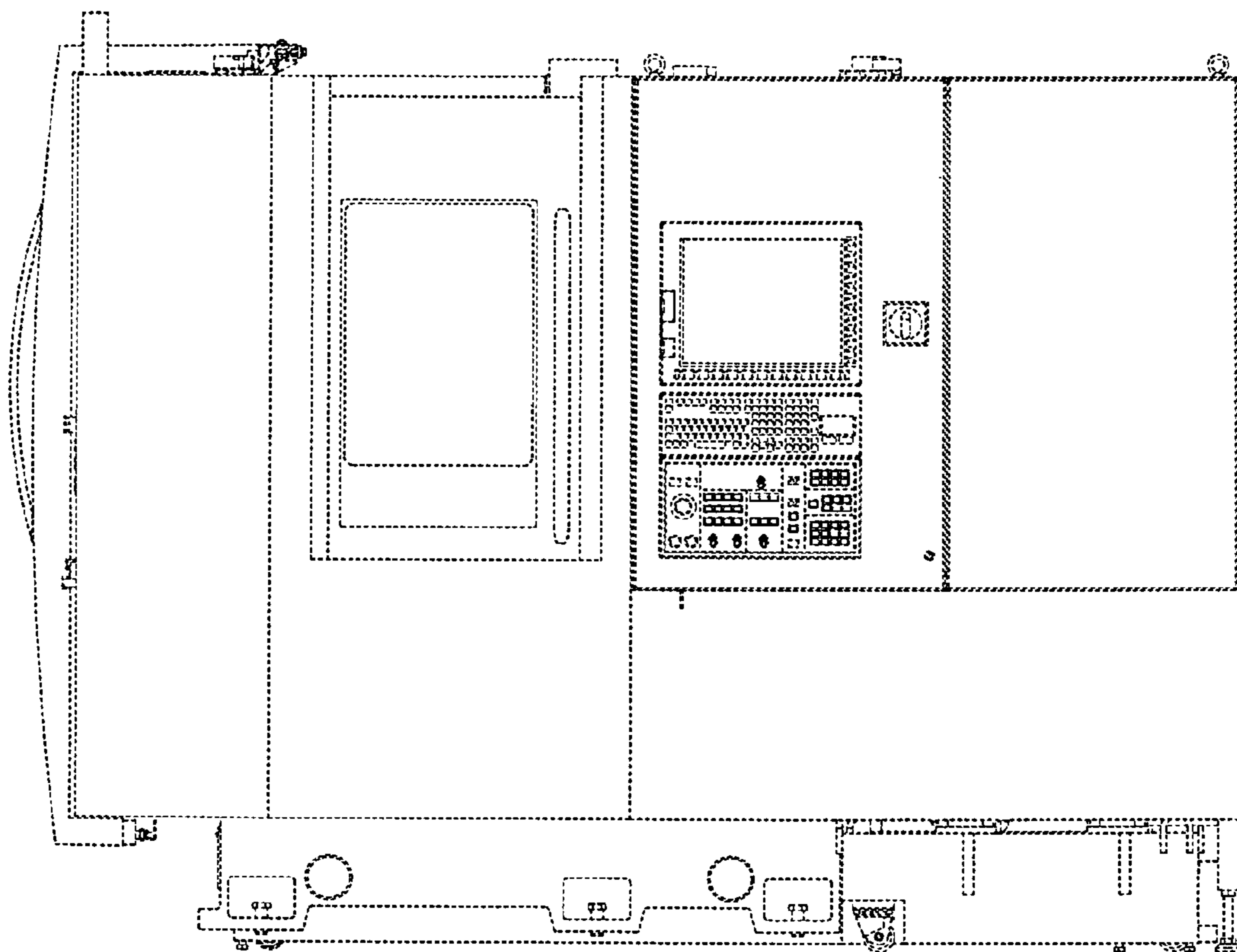


Fig. 7

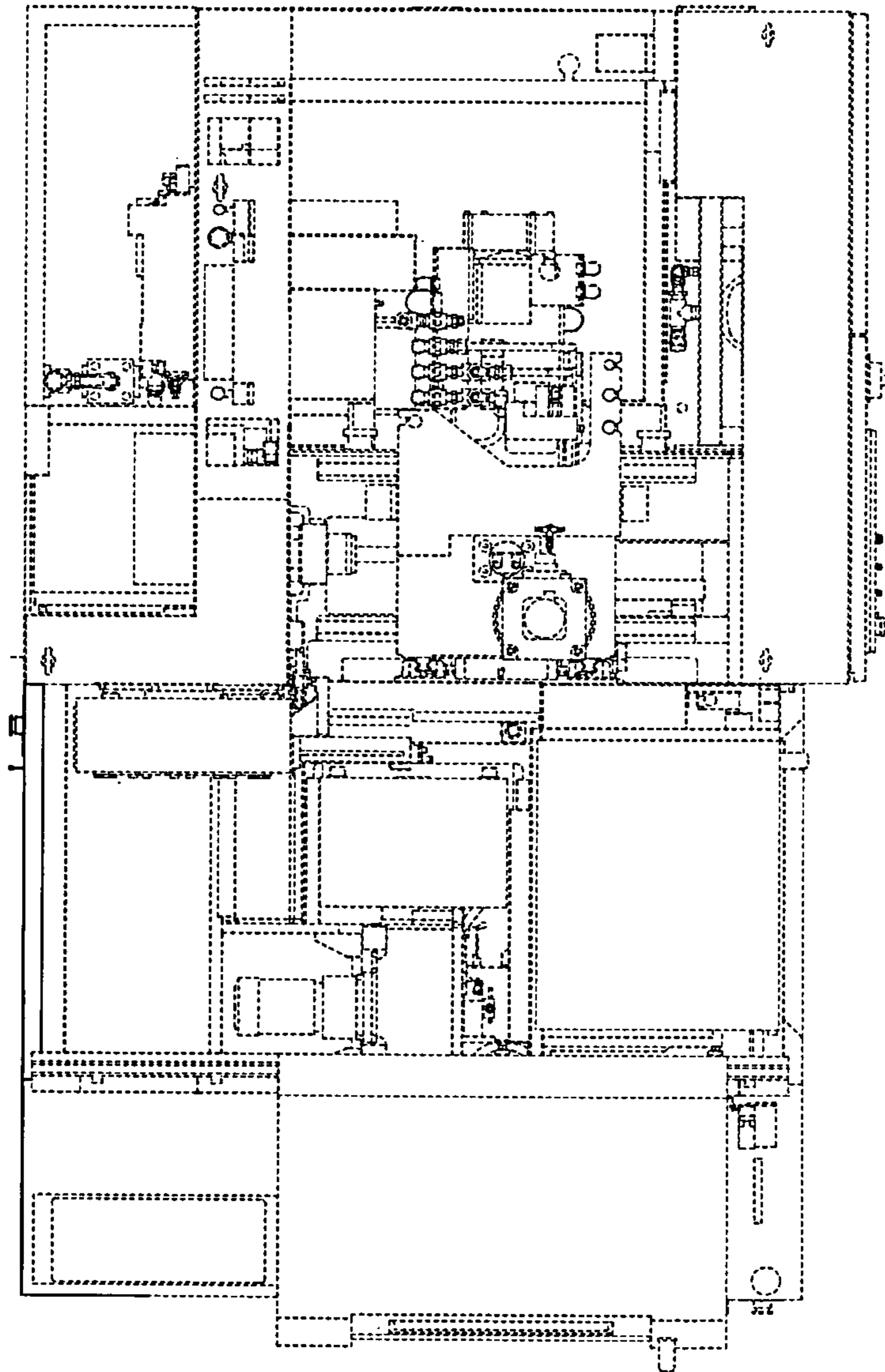




Fig. 8

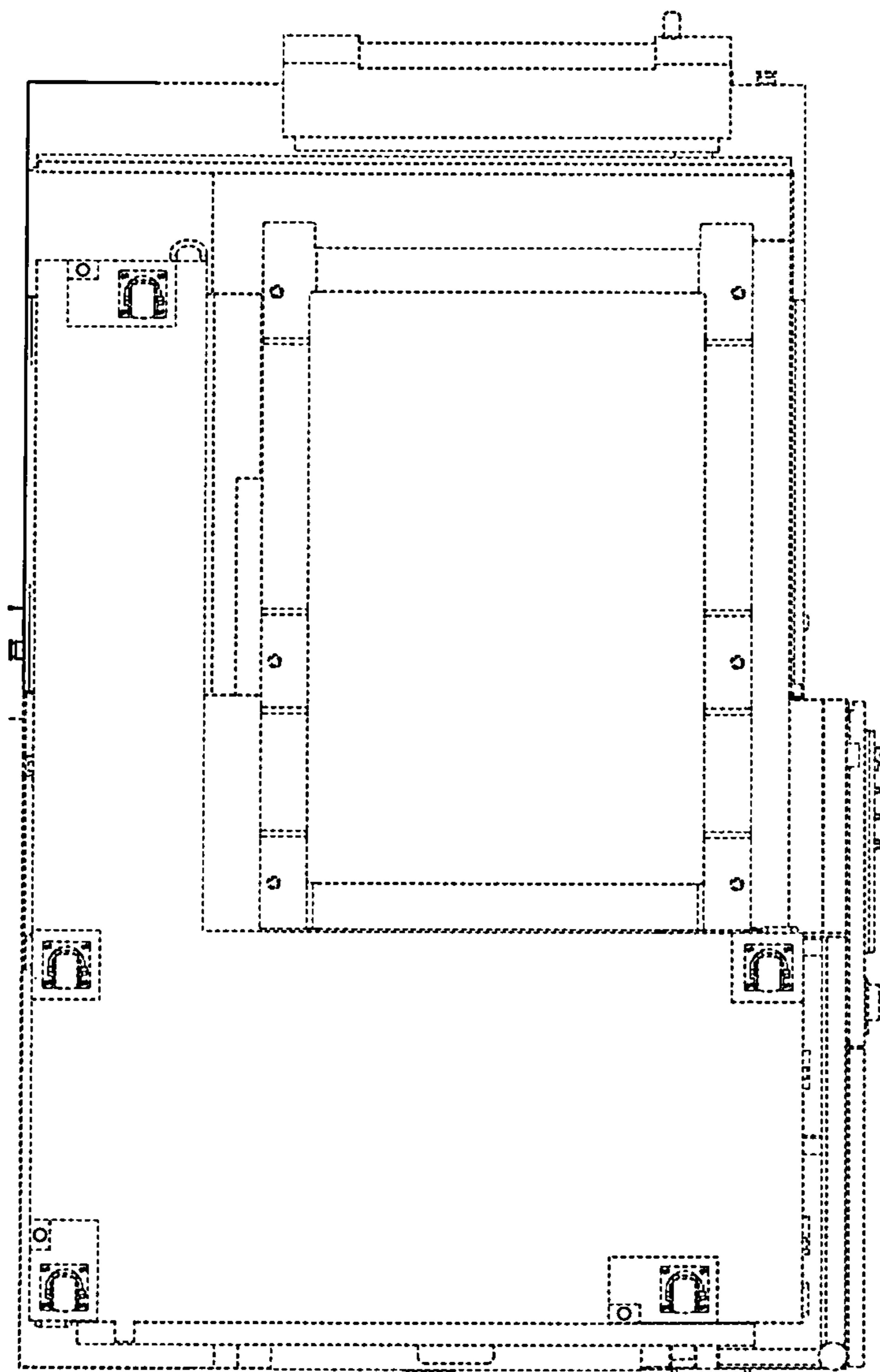


Fig. 9

