



US00D716348S

(12) **United States Design Patent**
Ryan et al.

(10) **Patent No.:** **US D716,348 S**
(45) **Date of Patent:** **** Oct. 28, 2014**

(54) **LARGE ROW CROP TRACTOR HOOD**

(71) Applicant: **Deere & Company**, Moline, IL (US)

(72) Inventors: **Alex M. Ryan**, Waterloo, IA (US);
William E. Crookes, Ann Arbor, MI (US)

(73) Assignee: **Deere & Company**, Moline, IL (US)

(**) Term: **14 Years**

(21) Appl. No.: **29/480,639**

(22) Filed: **Jan. 28, 2014**

(51) **LOC (10) Cl.** **15-03**

(52) **U.S. Cl.**
USPC **D15/31**

(58) **Field of Classification Search**
USPC D15/10, 11, 13-17, 28, 22-26, 31;
D12/173; 56/13.3, 13.4, 15.8, 15.9,
56/320.1; 180/89.1, 89.12, 900, 69.2,
180/68.1, 69.1

See application file for complete search history.

(56) **References Cited**

U.S. PATENT DOCUMENTS

D246,370 S	*	11/1977	Lorenz	D15/31
D297,330 S	*	8/1988	Monehaie et al.	D15/31
D381,025 S	*	7/1997	Bataille	D15/31
D389,492 S	*	1/1998	Schmidt et al.	D15/31

D413,905 S	*	9/1999	Schmidt et al.	D15/31
D483,383 S	*	12/2003	Crookes et al.	D15/31
D488,488 S	*	4/2004	Montgomery et al.	D15/31
D488,489 S	*	4/2004	Montgomery et al.	D15/31
D560,693 S	*	1/2008	Moen et al.	D15/31
D570,382 S	*	6/2008	Higashikawa	D15/31
D642,598 S	*	8/2011	Wikner et al.	D15/31
D661,323 S	*	6/2012	Krogh et al.	D15/31
D668,695 S	*	10/2012	Ringer	D15/31
D682,323 S	*	5/2013	Ryan et al.	D15/31

* cited by examiner

Primary Examiner — Mark Goodwin

(57) **CLAIM**

The ornamental design for a large row crop tractor hood, design as shown and described.

DESCRIPTION

FIG. 1 is a perspective view of a large row crop tractor hood showing our new design.

FIG. 2 is a left side view thereof.

FIG. 3 is a right side view thereof.

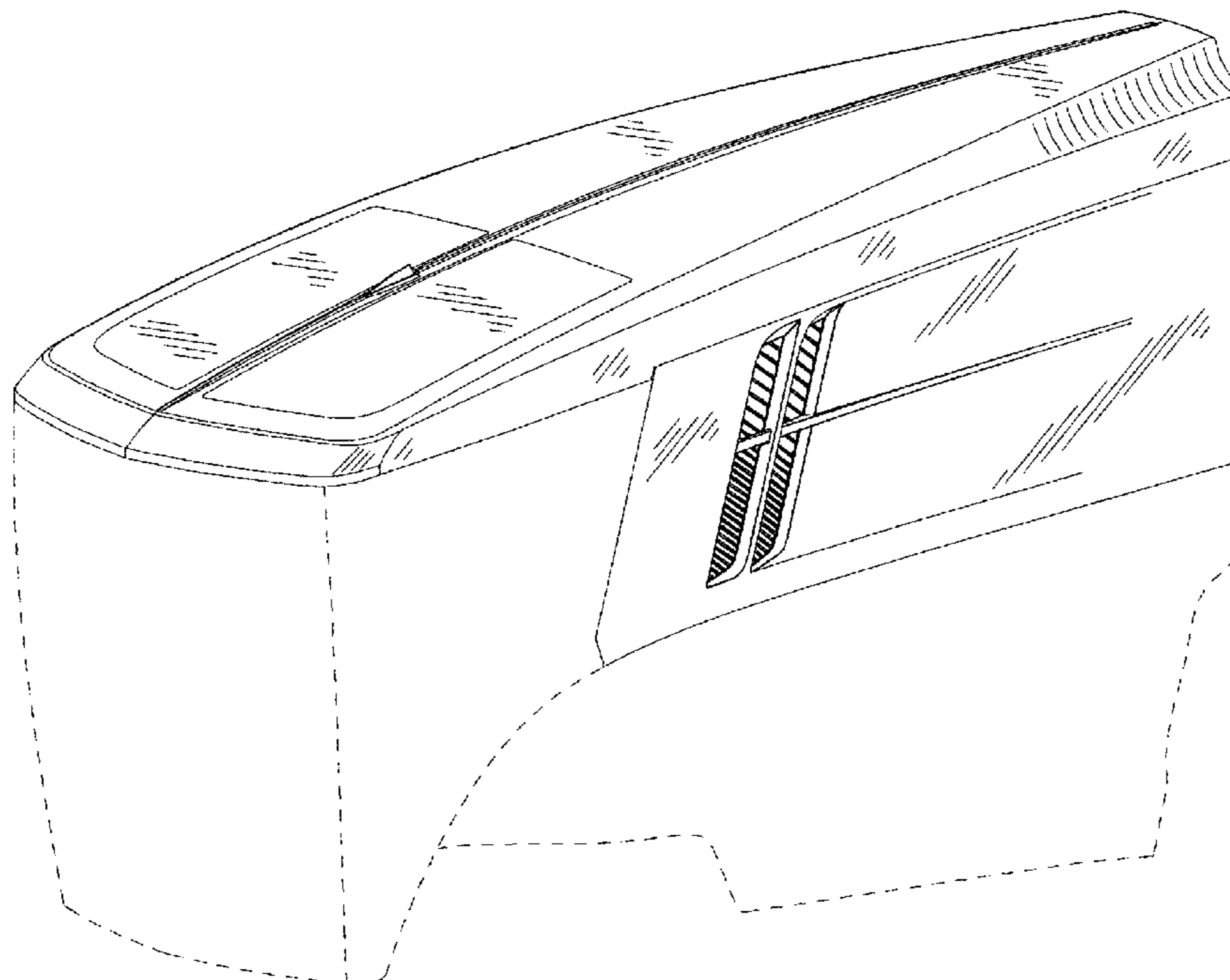
FIG. 4 is a front view thereof.

FIG. 5 is a rear view thereof; and,

FIG. 6 is a top plan view thereof.

The broken line showing of the grill and lower hood is included for the purpose of illustrating portions of the large row crop tractor hood and forms no part of the claimed design.

1 Claim, 5 Drawing Sheets



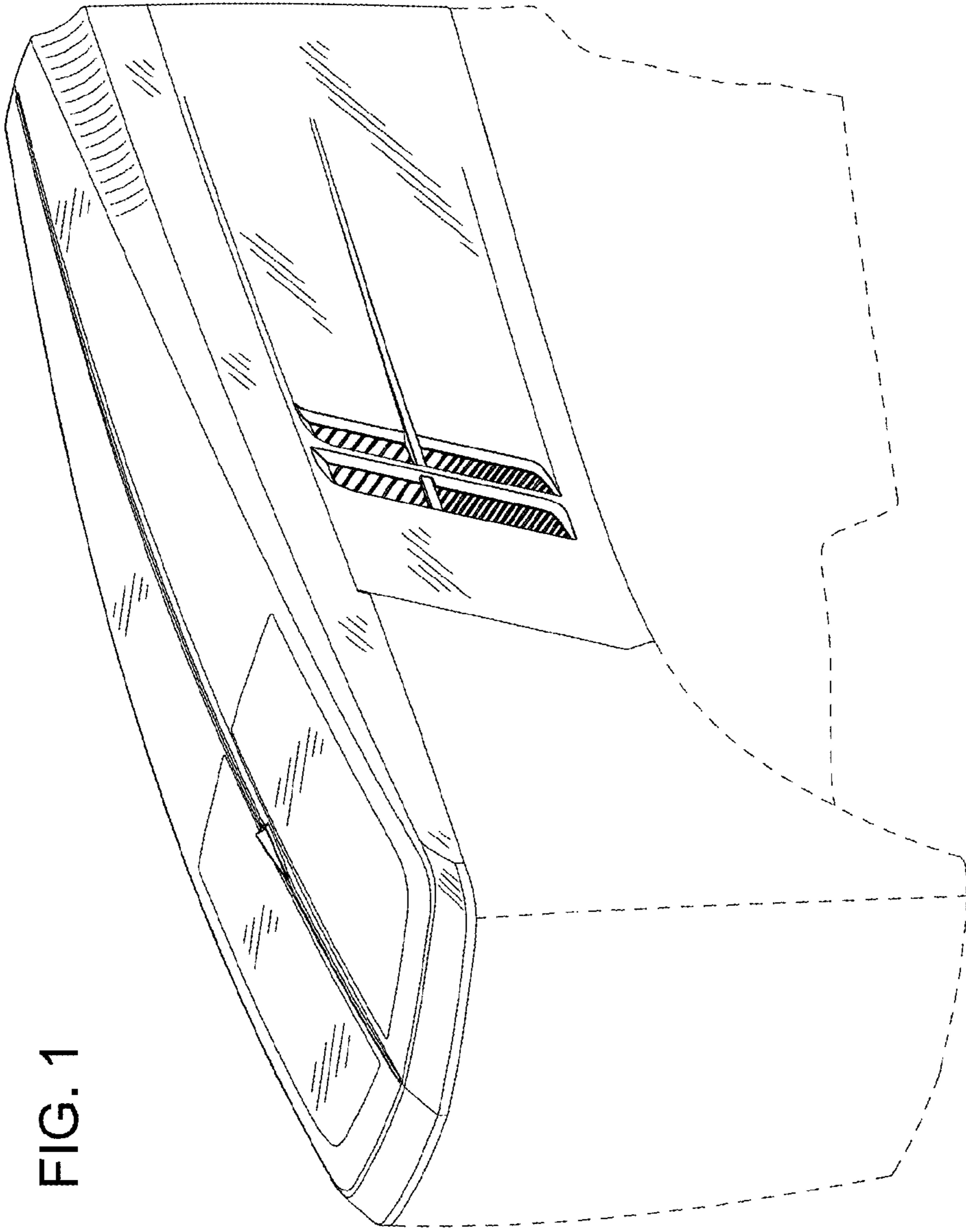


FIG. 1

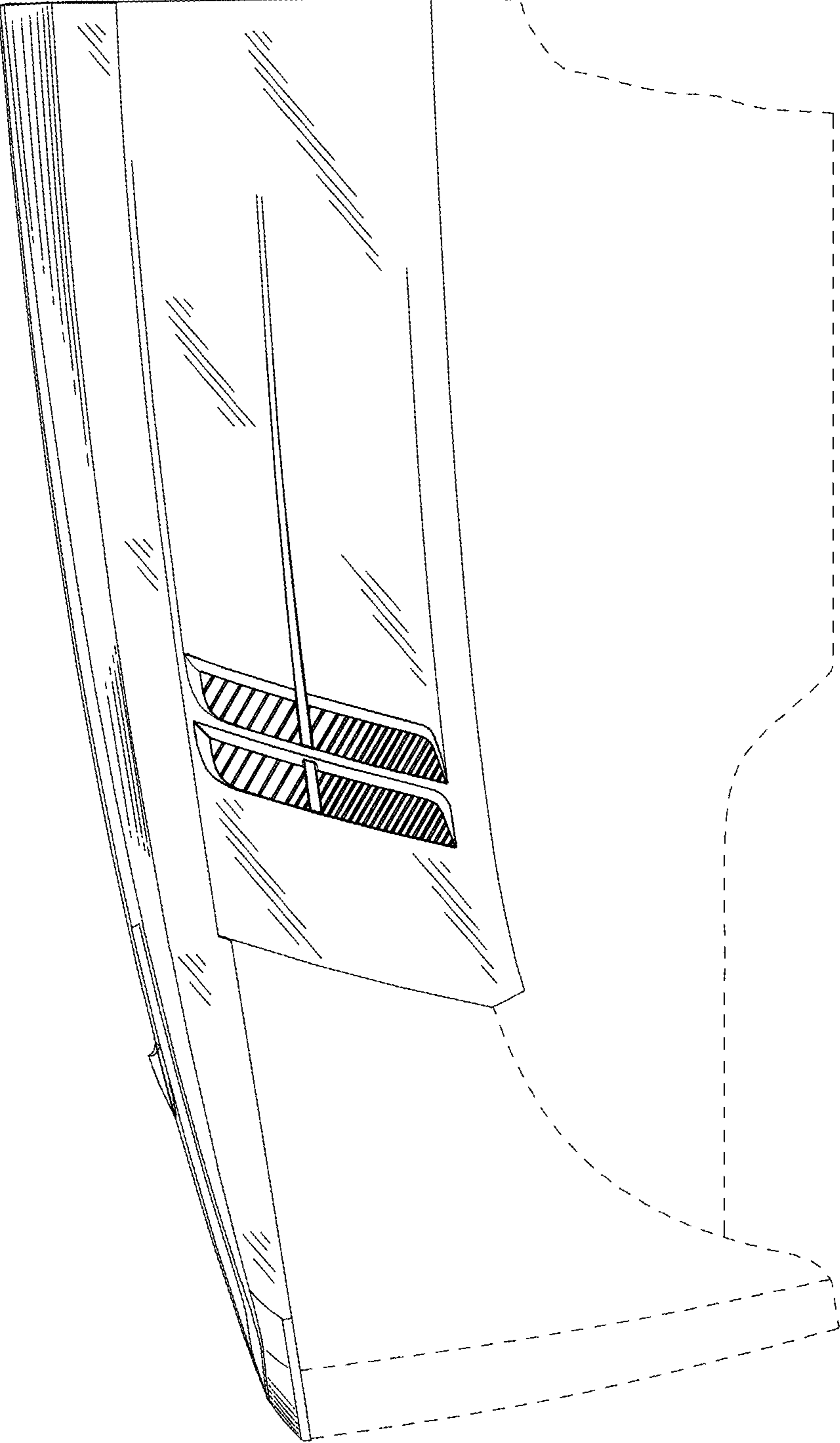


FIG. 2

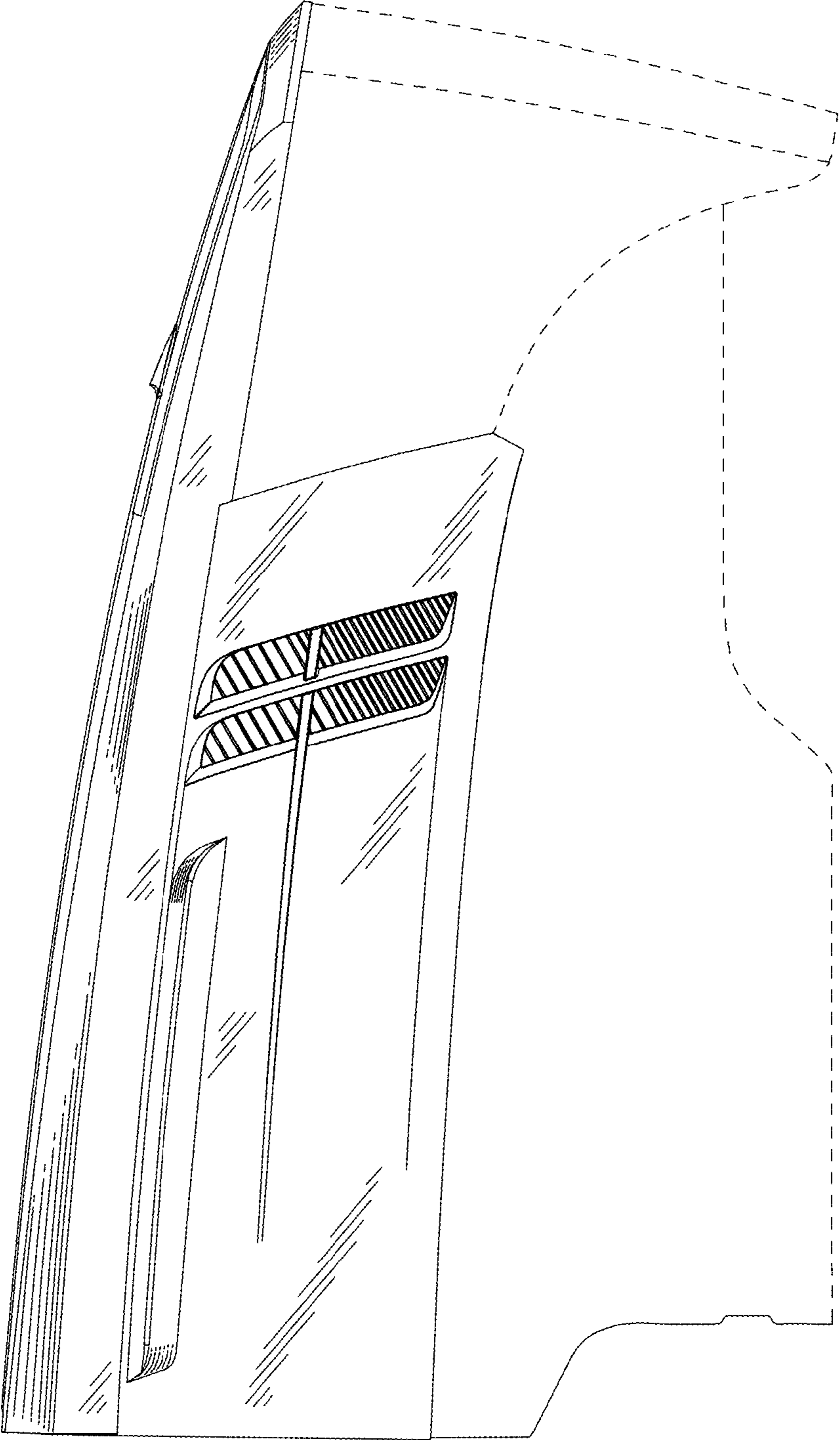


FIG. 3

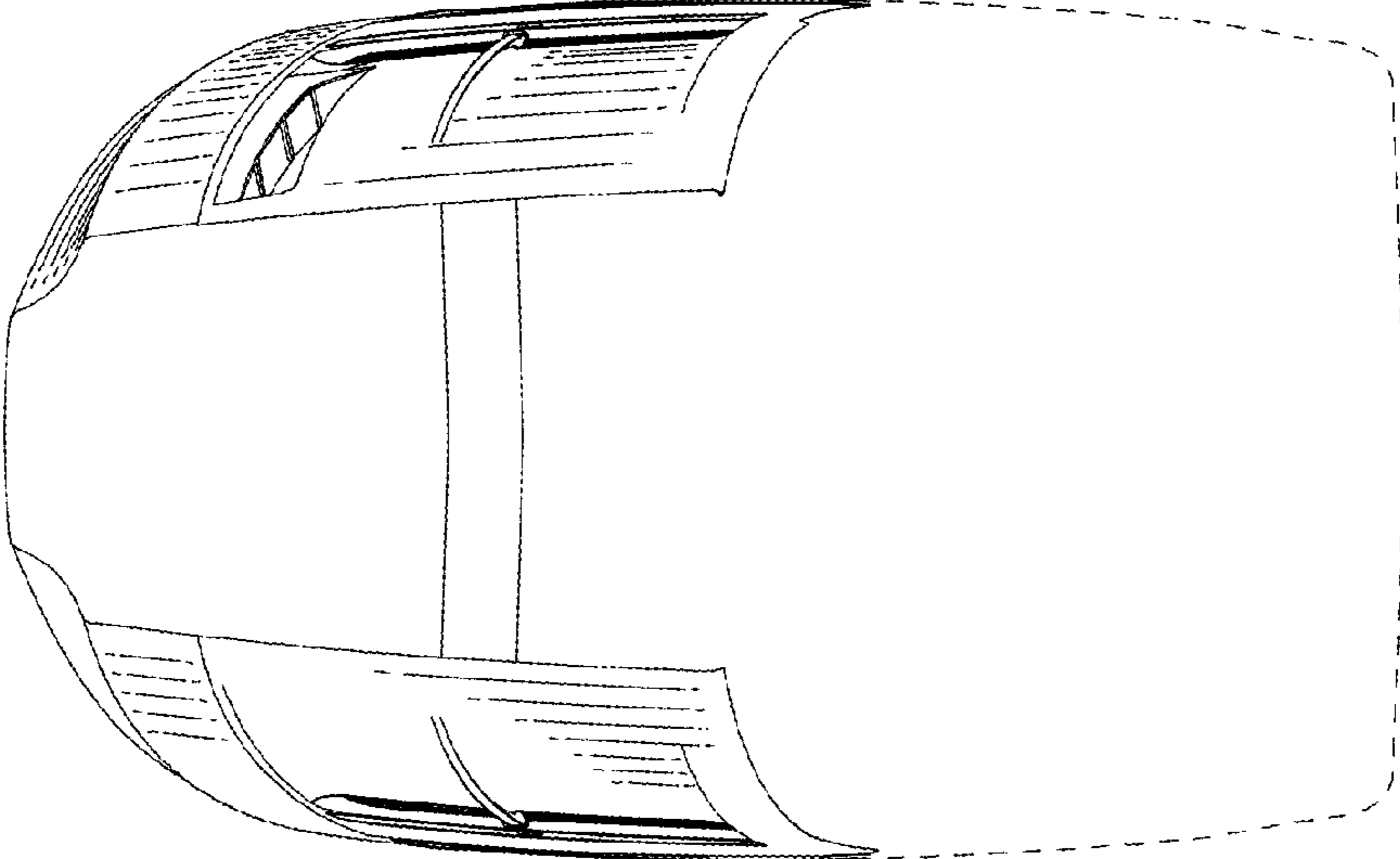


FIG. 5

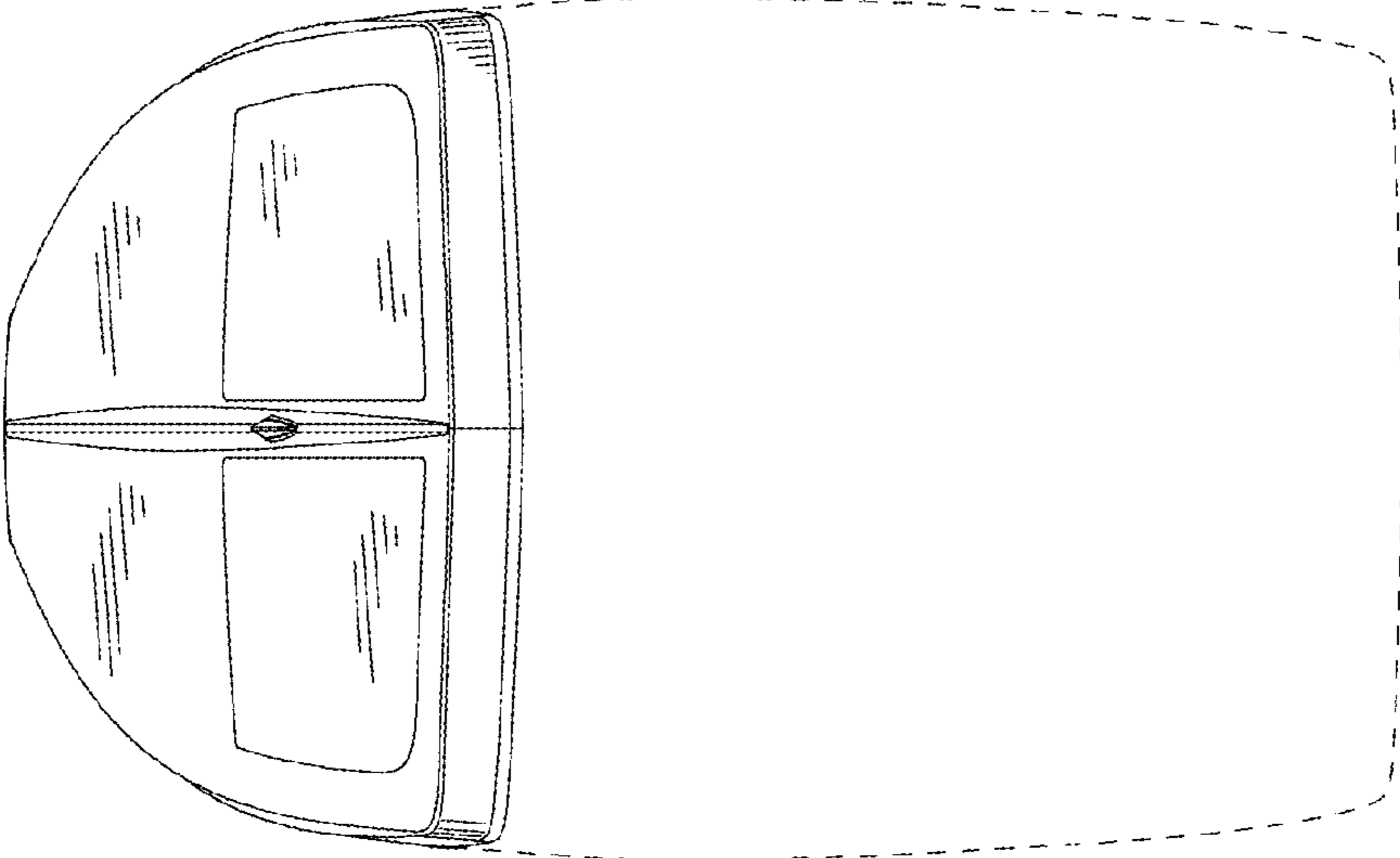


FIG. 4

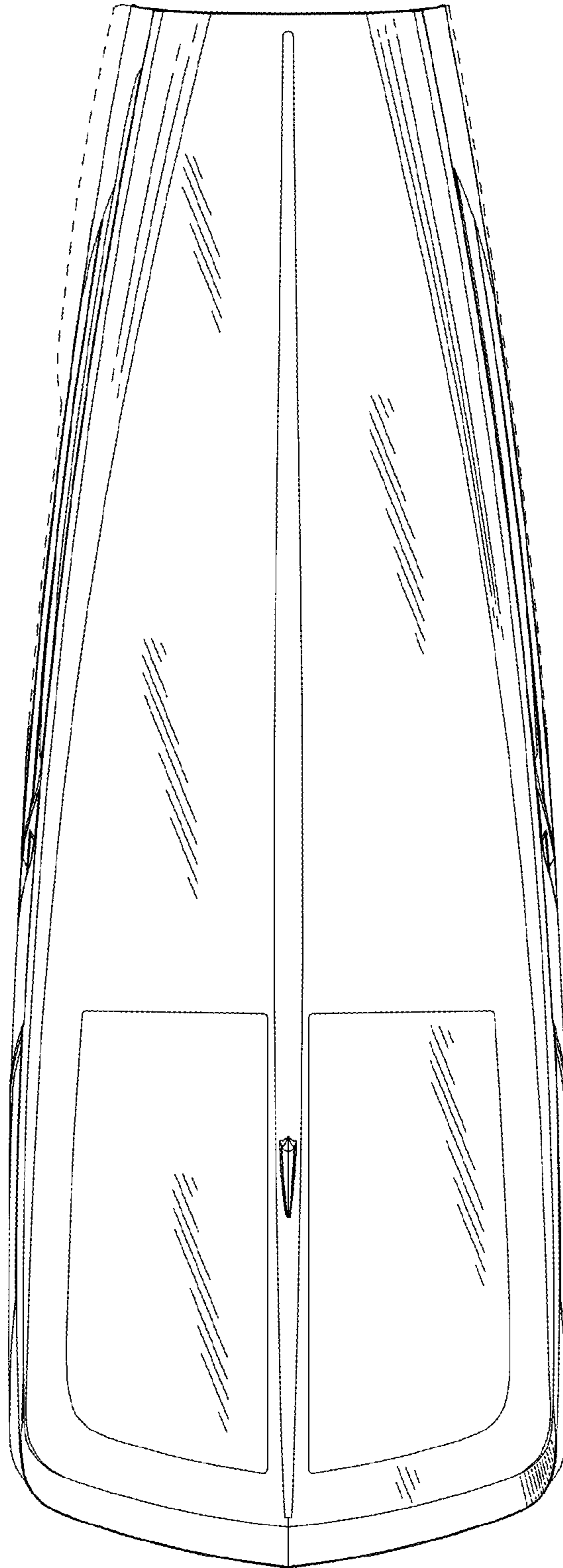


FIG. 6