



US00D716341S

(12) **United States Design Patent**  
**Daniel**

(10) **Patent No.:** **US D716,341 S**  
(45) **Date of Patent:** **\*\* Oct. 28, 2014**

(54) **COMPUTER SCREEN WITH ICON**

(76) Inventor: **Isaac S. Daniel**, Miramar, FL (US)

(\*\*) Term: **14 Years**

(21) Appl. No.: **29/428,651**

(22) Filed: **Aug. 1, 2012**

**Related U.S. Application Data**

(63) Continuation-in-part of application No. 29/402,350, filed on Sep. 22, 2011, now Pat. No. Des. 687,060.

(51) **LOC (10) Cl.** ..... **14-04**

(52) **U.S. Cl.**  
USPC ..... **D14/489**

(58) **Field of Classification Search**  
USPC ..... D14/485-498; D12/175, 176; 715/763, 715/837, 771, 797, 848, 748, 205; 709/217, 709/218

See application file for complete search history.

(56) **References Cited**

**U.S. PATENT DOCUMENTS**

D277,114 S *	1/1985	Gordon	.....	D20/11
D390,548 S *	2/1998	Maekawa et al.	.....	D14/488
D438,699 S *	3/2001	Campman	.....	D3/215
D452,692 S *	1/2002	Fukuda	.....	D14/489
D497,617 S *	10/2004	Decombe et al.	.....	D14/486
6,857,106 B1 *	2/2005	Brouaux	.....	715/837
D506,474 S *	6/2005	Gildred	.....	D14/486
D547,767 S *	7/2007	Jewitt	.....	D14/492
D550,700 S *	9/2007	Griffith	.....	D14/492
D572,720 S *	7/2008	Fletcher	.....	D14/492
D588,154 S *	3/2009	Bouchard et al.	.....	D14/489
D589,792 S *	4/2009	Clabough et al.	.....	D9/434
D593,571 S *	6/2009	Ball et al.	.....	D14/485
D599,378 S *	9/2009	Mays	.....	D14/492
D606,552 S *	12/2009	Kocmick	.....	D14/492
D613,750 S *	4/2010	Truelove et al.	.....	D14/492

D626,137 S *	10/2010	McLaughlin et al.	.....	D14/486
D627,791 S *	11/2010	Lamb et al.	.....	D14/489
D628,595 S *	12/2010	Danhope-Smith	.....	D14/493
D629,814 S *	12/2010	Lew	.....	D14/492
D640,327 S *	6/2011	Gorzo	.....	D20/22
D642,195 S *	7/2011	Marks et al.	.....	D14/490
D642,196 S *	7/2011	Fong et al.	.....	D14/492
D647,103 S *	10/2011	Barcheck et al.	.....	D14/489
D649,159 S *	11/2011	Viggers et al.	.....	D14/492
D650,799 S *	12/2011	Wantland et al.	.....	D14/493
D659,708 S *	5/2012	Amos	.....	D14/489
D660,090 S *	5/2012	Lane et al.	.....	D7/624.1
D661,585 S *	6/2012	Anderson et al.	.....	D9/457
D662,418 S *	6/2012	Anderson et al.	.....	D9/457
D667,435 S *	9/2012	Majeti et al.	.....	D14/492
D674,994 S *	1/2013	Danner	.....	D2/891
D677,194 S *	3/2013	Marovic et al.	.....	D11/95
D682,042 S *	5/2013	Sanders	.....	D7/619.2
D682,297 S *	5/2013	DiJulio et al.	.....	D14/487
D682,298 S *	5/2013	DiJulio et al.	.....	D14/487
D683,358 S *	5/2013	Garn et al.	.....	D14/489
2006/0143963 A1 *	7/2006	Nowakowski	.....	40/673

\* cited by examiner

*Primary Examiner* — Kevin Rudzinski

(74) *Attorney, Agent, or Firm* — Carol N. Green, Esq.

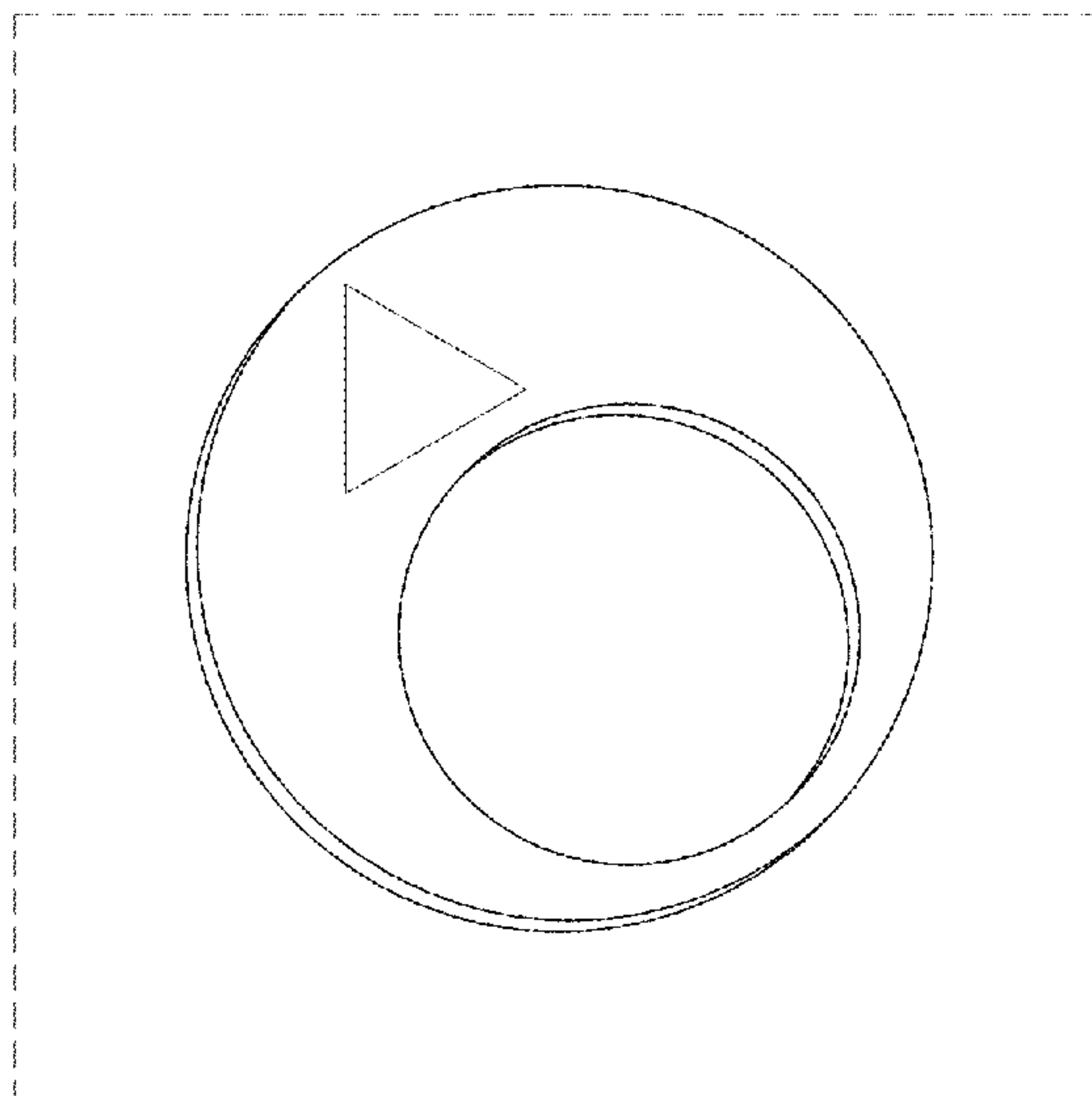
(57) **CLAIM**

The ornamental design for a computer screen with icon, as shown and described.

**DESCRIPTION**

FIG. 1 is a front view of a computer screen with icon.  
FIG. 2 is a perspective view of the computer screen with icon.  
FIG. 3 is a second perspective view of the computer screen with icon; and,  
FIG. 4 is another embodiment of the computer screen with icon.  
The broken lines in FIGS. 1-4 illustrating the computer screen and portions of the icon form no part of the claimed design.

**1 Claim, 3 Drawing Sheets**



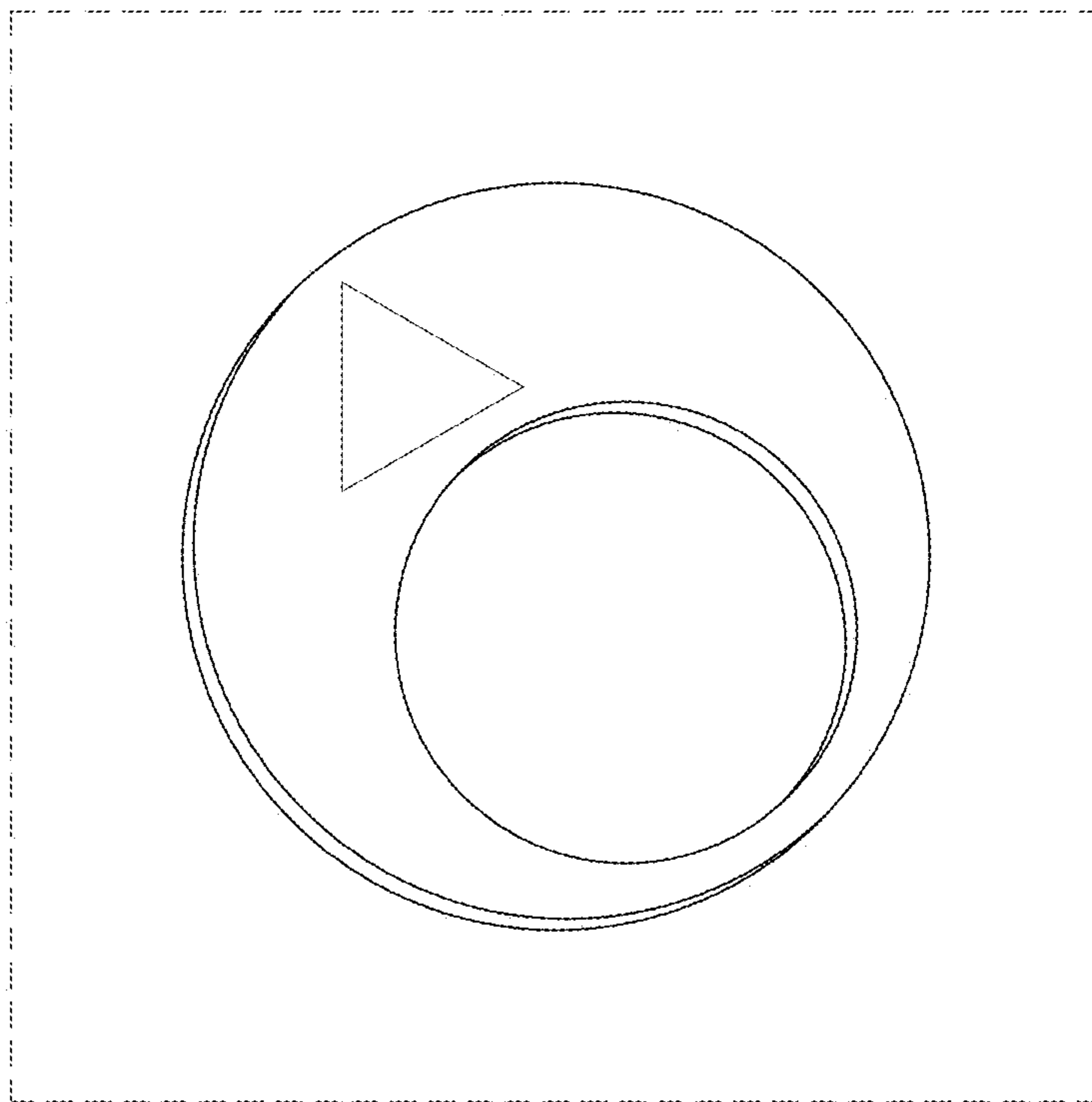


FIG. 1

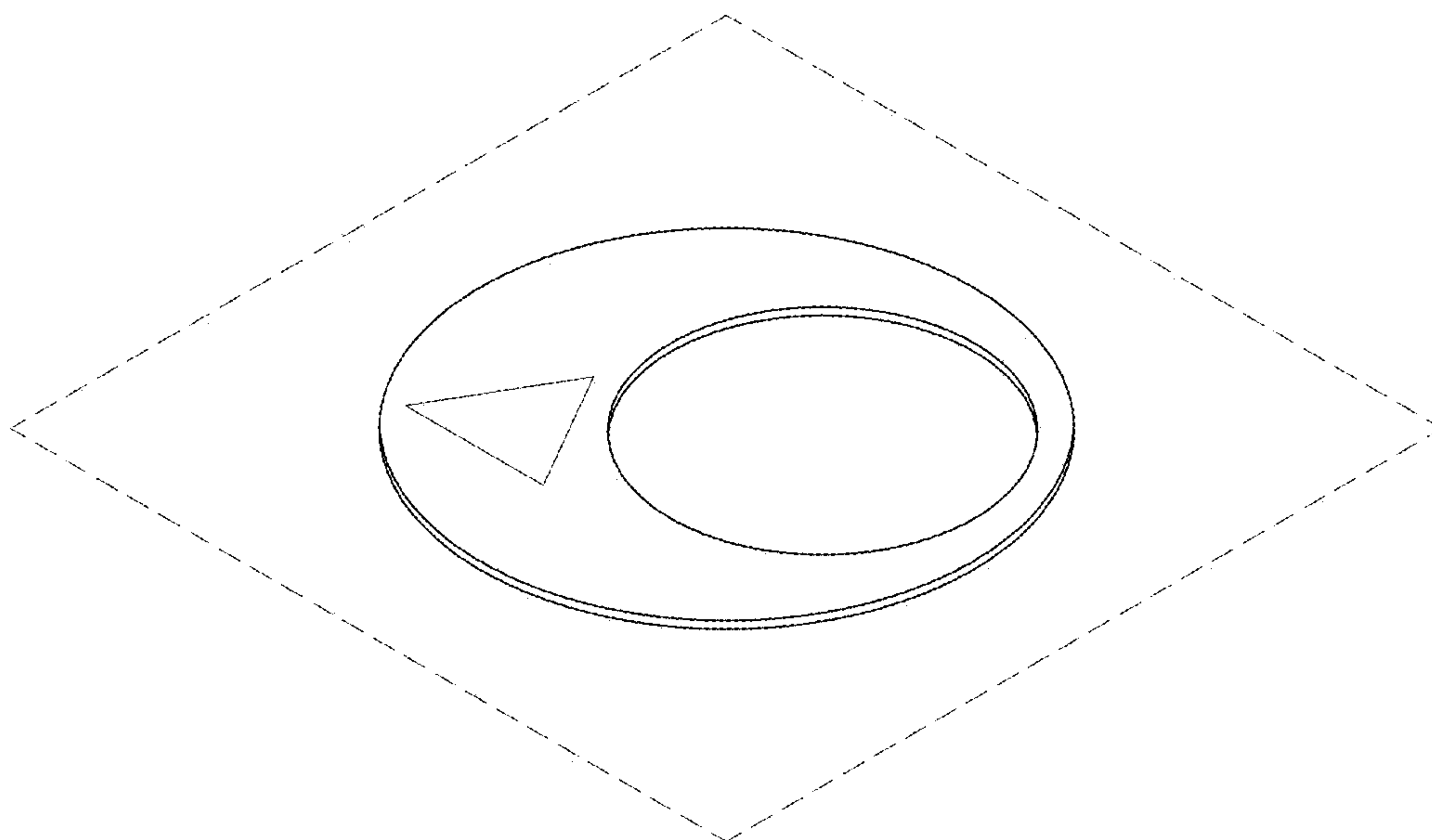


FIG. 2

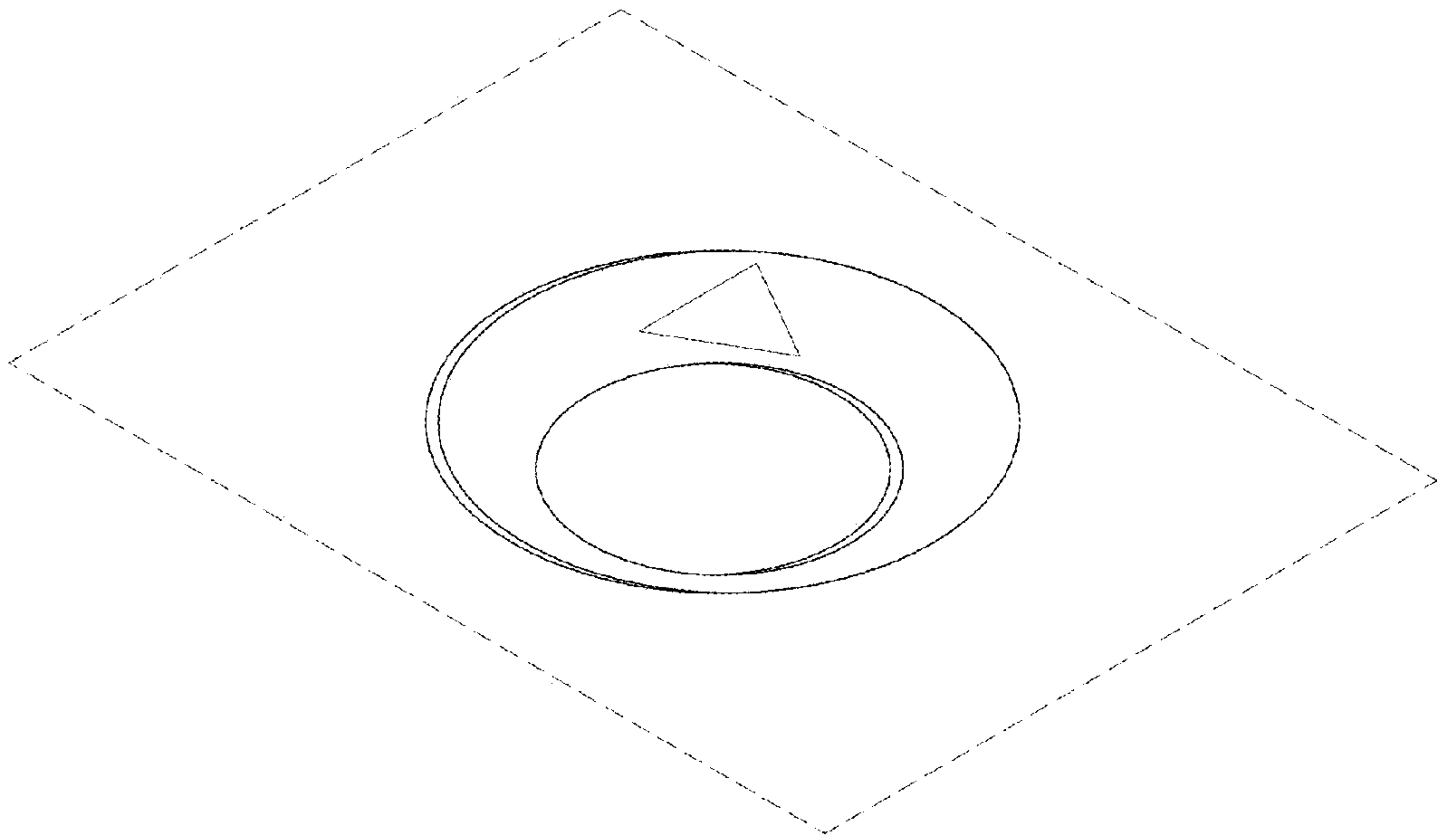


FIG. 3

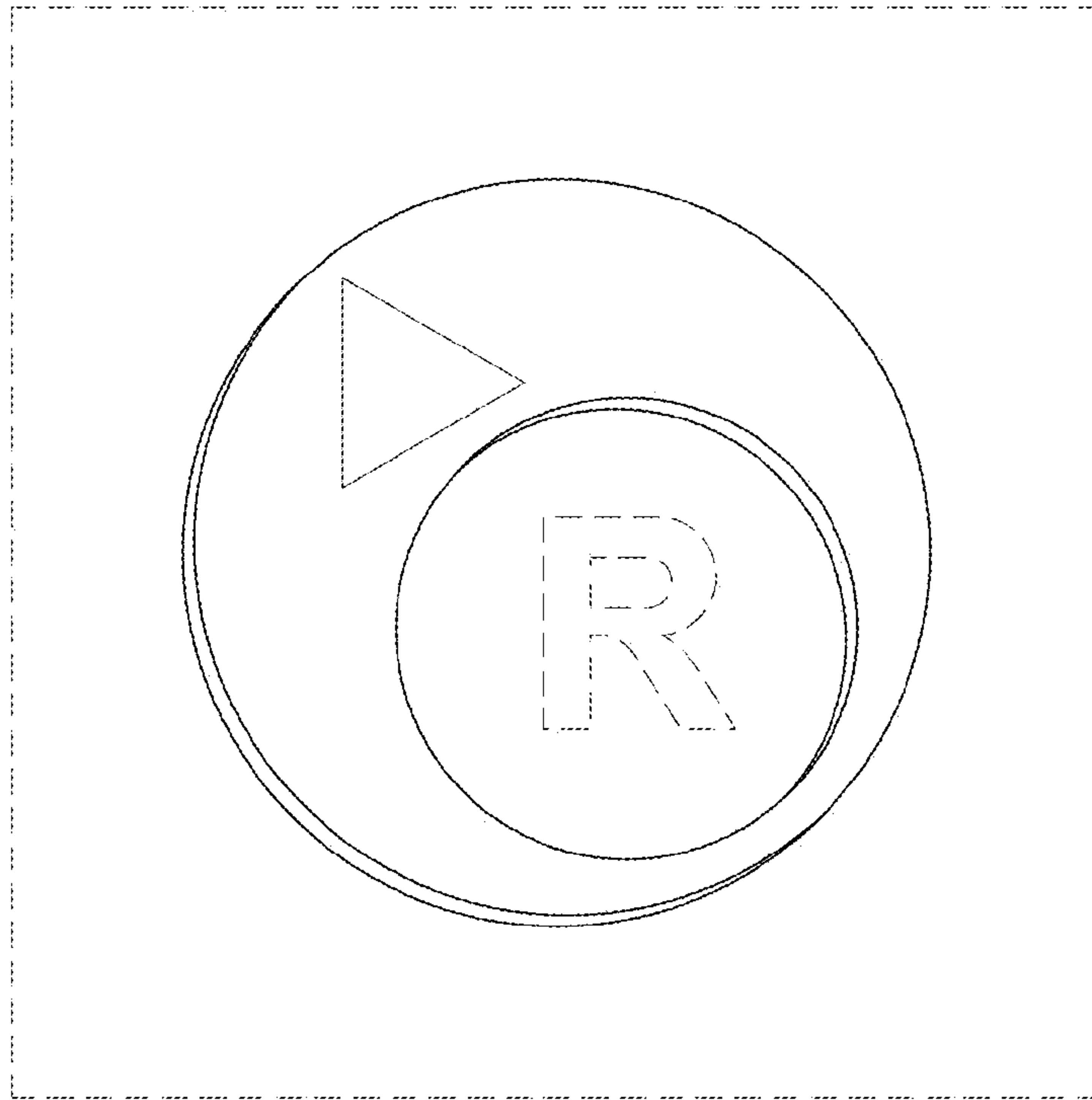


FIG. 4