



US00D716319S

(12) **United States Design Patent**
Fan et al.

(10) **Patent No.:** **US D716,319 S**
(45) **Date of Patent:** **** Oct. 28, 2014**

(54) **DISPLAY SCREEN WITH ANIMATED GRAPHICAL USER INTERFACE**

(71) Applicant: **Quixey, Inc.**, Mountain View, CA (US)

(72) Inventors: **Cheng-Ruei Fan**, Mountain View, CA (US); **Arian Behzadi**, Sunnyvale, CA (US)

(73) Assignee: **Quixey, Inc.**, Mountain View, CA (US)

(**) Term: **14 Years**

(21) Appl. No.: **29/451,476**

(22) Filed: **Apr. 2, 2013**

(51) **LOC (10) Cl.** **14-04**

(52) **U.S. Cl.**
USPC **D14/485**

(58) **Field of Classification Search**
USPC D14/485-495; 715/700, 703, 716, 726, 715/730, 732, 771, 773, 779, 793, 808, 809, 715/810, 832, 834, 837, 839, 840, 864, 970, 715/977

See application file for complete search history.

(56) **References Cited**

U.S. PATENT DOCUMENTS

D396,455	S	*	7/1998	Bier	D14/489
D461,822	S	*	8/2002	Okuley	D14/489
D493,471	S	*	7/2004	McIntosh	D14/485
6,762,778	B1	*	7/2004	Golibrodski et al.	715/849
D550,696	S	*	9/2007	Kortum et al.	D14/491
D602,033	S	*	10/2009	Vu et al.	D14/485
D623,658	S	*	9/2010	Fitzmaurice et al.	D14/489
D625,327	S	*	10/2010	Fitzmaurice et al.	D14/489
D625,328	S	*	10/2010	Fitzmaurice et al.	D14/489
D699,750	S	*	2/2014	Pearson et al.	D14/488

2007/0271528	A1*	11/2007	Park et al.	715/810
2013/0019182	A1*	1/2013	Gil et al.	715/738
2013/0127911	A1*	5/2013	Brown	345/649

OTHER PUBLICATIONS

“Mercury Browser,” ilegendsoft, 2010-2011, 5 pages, [Online] [Retrieved on Jul. 22, 2013] Retrieved from the Internet at <http://www.ilegendsoft.com/software/mercurybrowser/.

* cited by examiner

Primary Examiner — Angela J Lee

(74) *Attorney, Agent, or Firm* — Fenwick & West LLP

(57) **CLAIM**

We claim the ornamental design for a display screen with animated graphical user interface, as shown and described.

DESCRIPTION

A portion of the disclosure of this patent document contains material that is subject to copyright protection. The copyright owner has no objection to the facsimile reproduction by anyone of the patent document or the patent disclosure, as it appears in the U.S. Patent and Trademark Office patent files or records, but otherwise reserves all copyright rights whatsoever.

FIG. 1 is a first image of a display screen with animated graphical user interface;

FIG. 2 is a second image thereof;

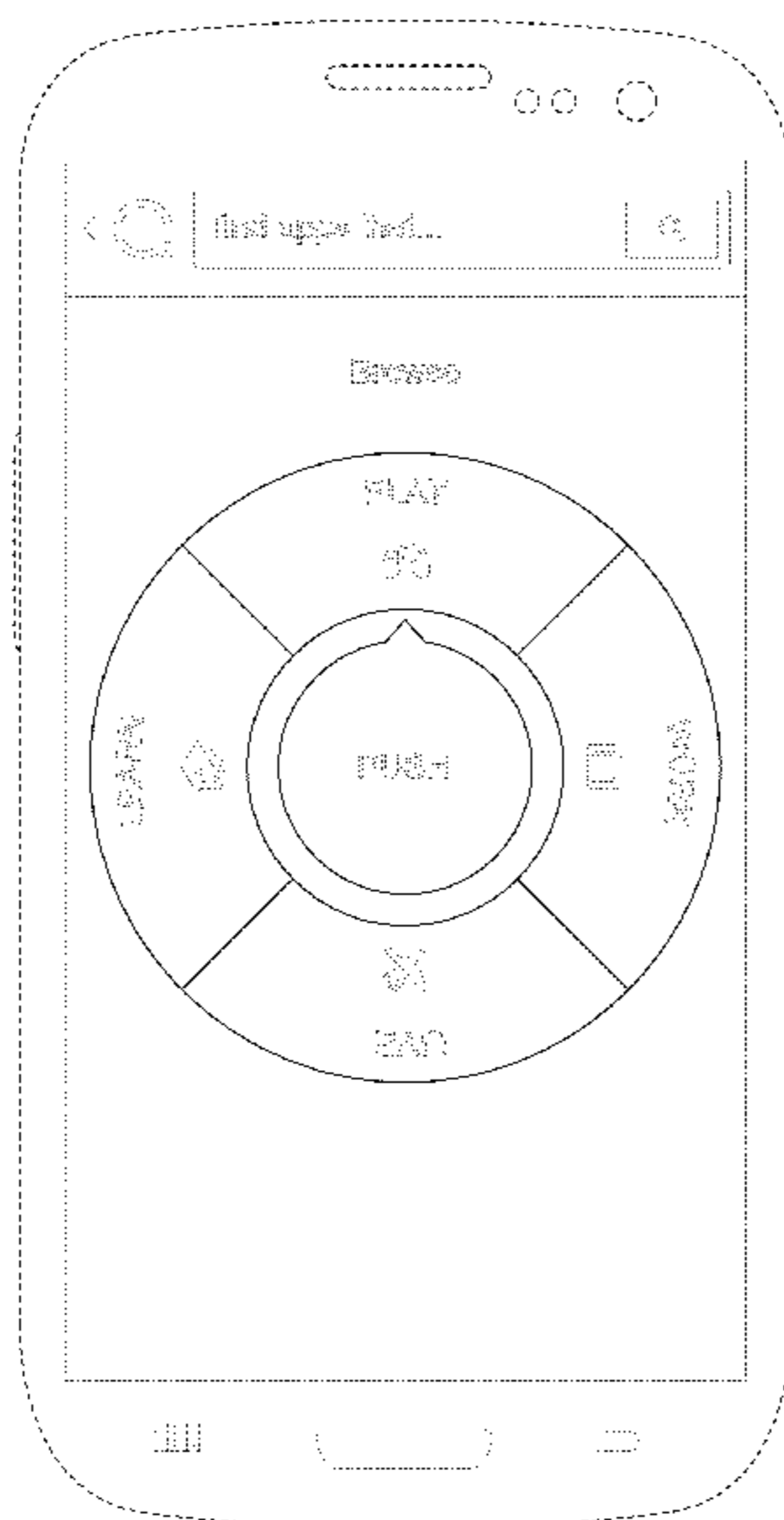
FIG. 3 is a third image thereof; and,

FIG. 4 is a fourth image thereof.

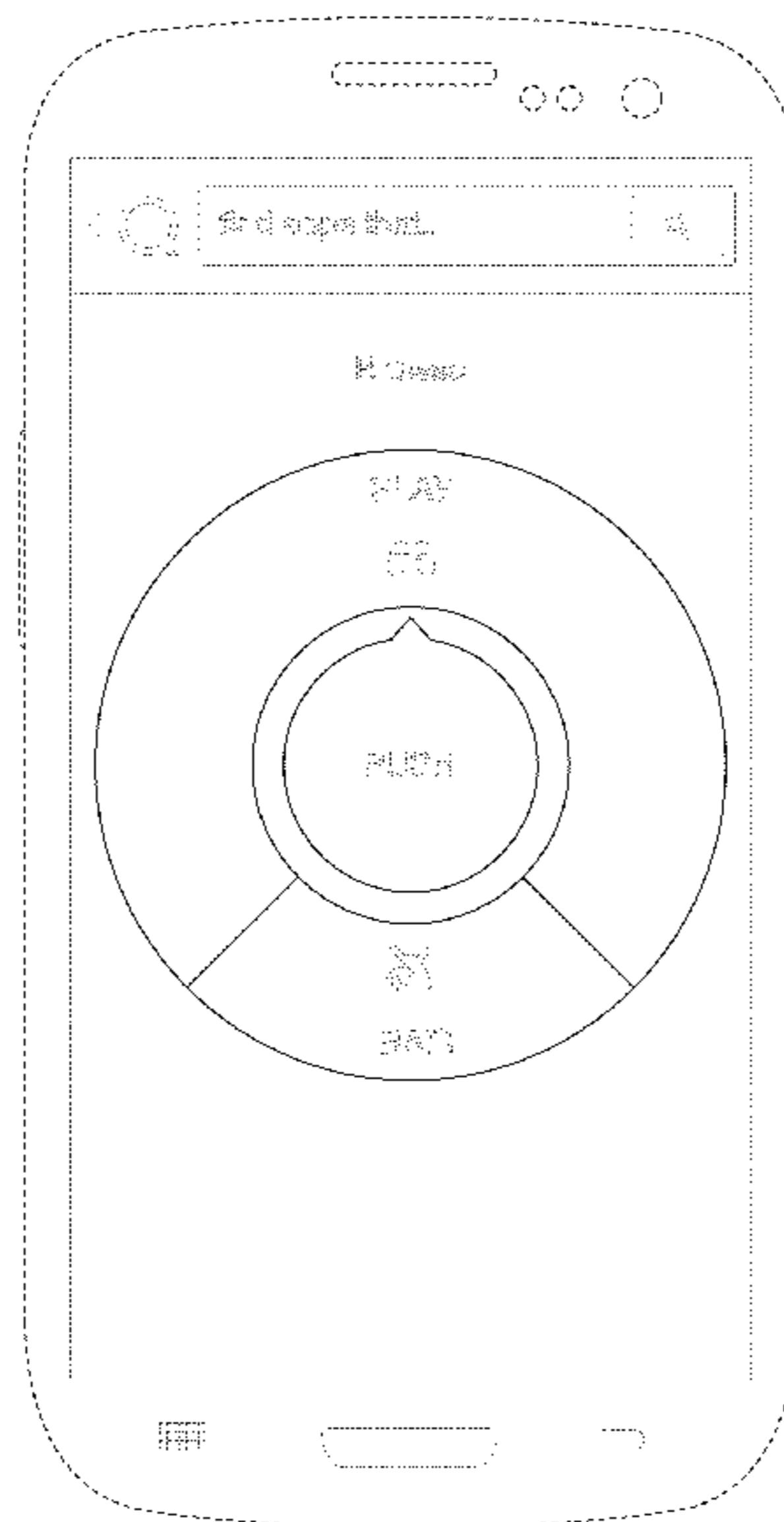
The broken lines showing in a portion of a display screen, text and other elements in the Figures are for illustrative purposes only and form no part of the claimed design.

The appearance of the animated graphical user interface sequentially transitions from FIGS. 1-4 according to the embodiment. The process or period in which one image transitions to another forms no part of the claimed design.

1 Claim, 4 Drawing Sheets



© 2013 Quixey, Inc.



© 2013 Quixey, Inc.

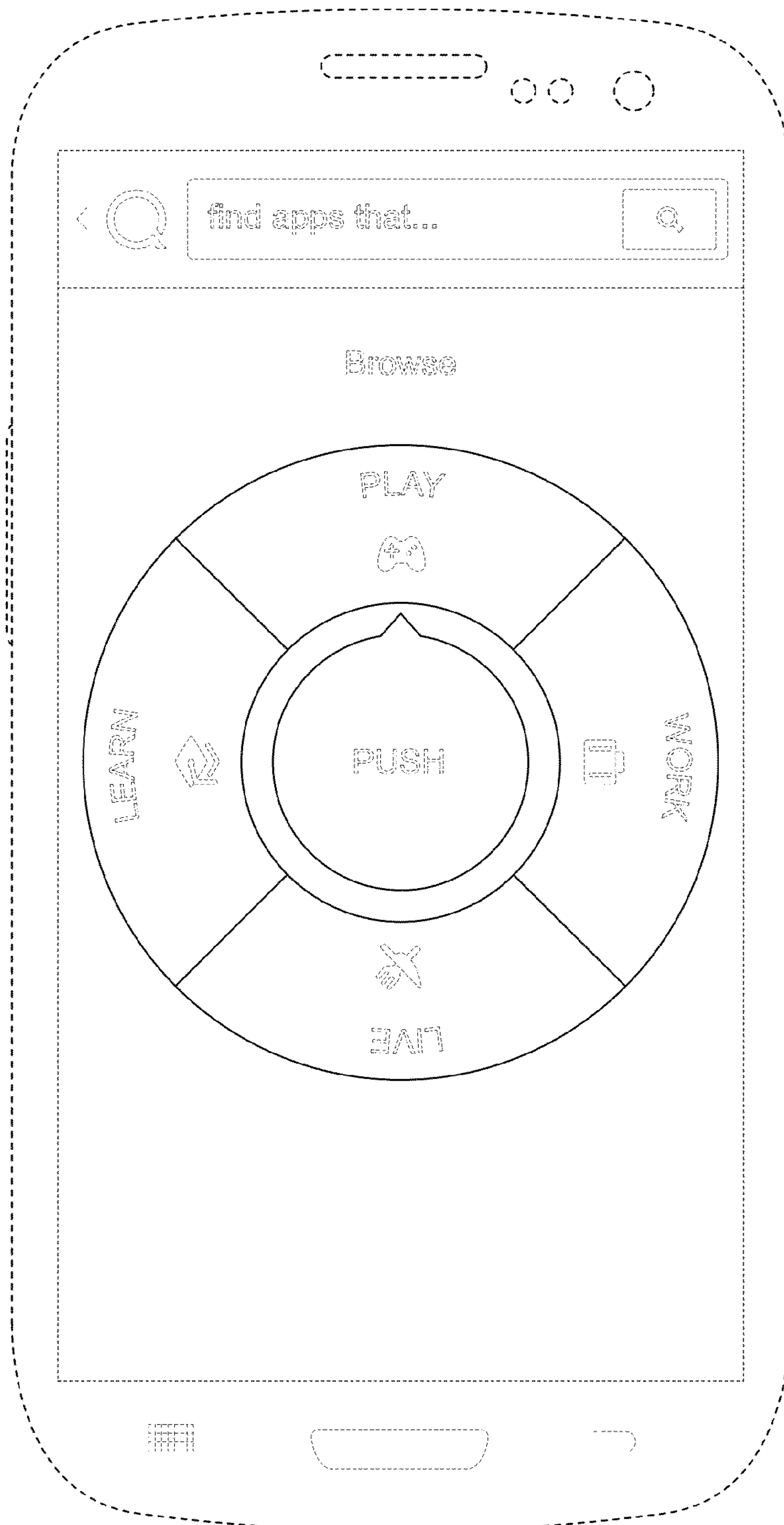


FIG. 1

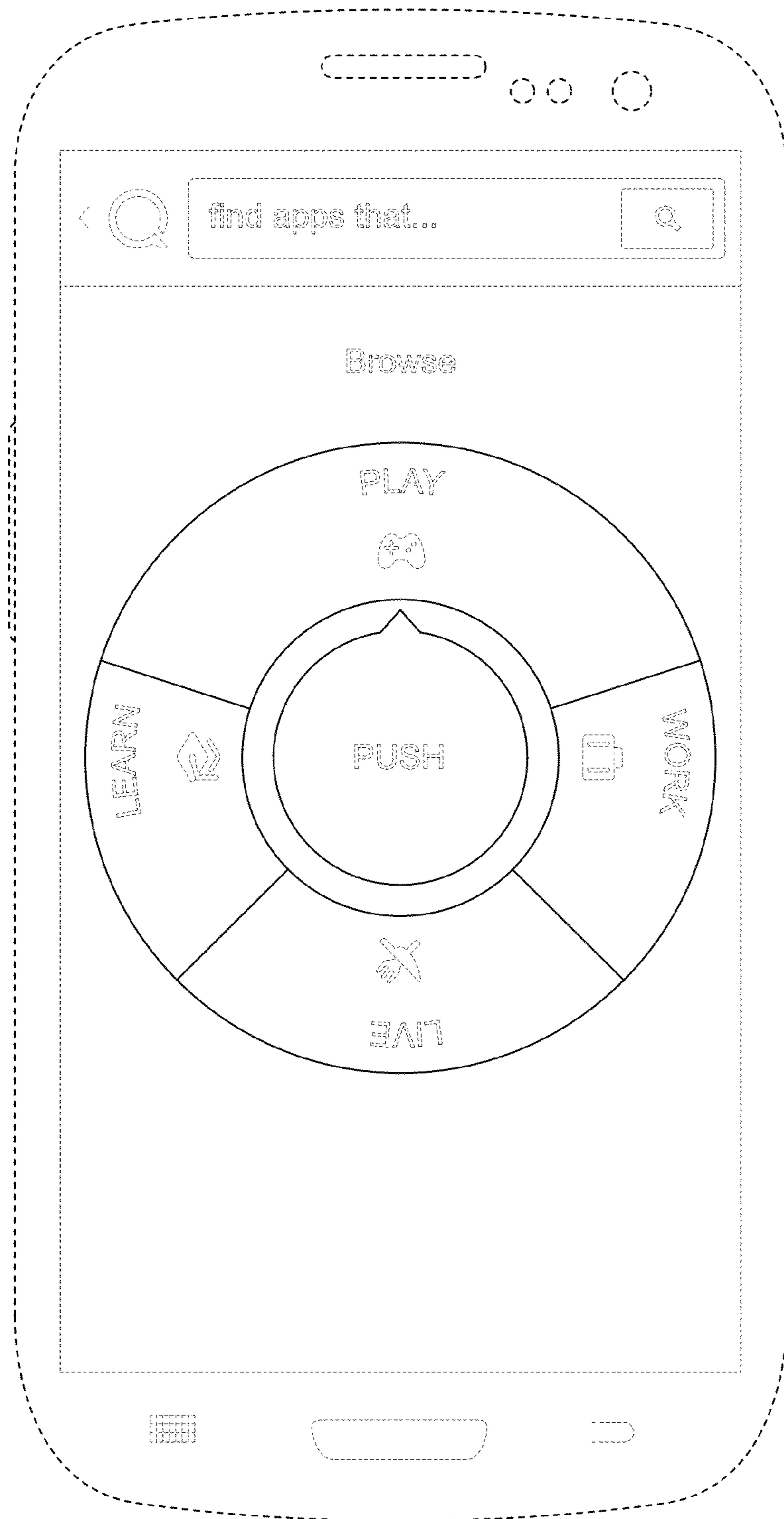


FIG. 2

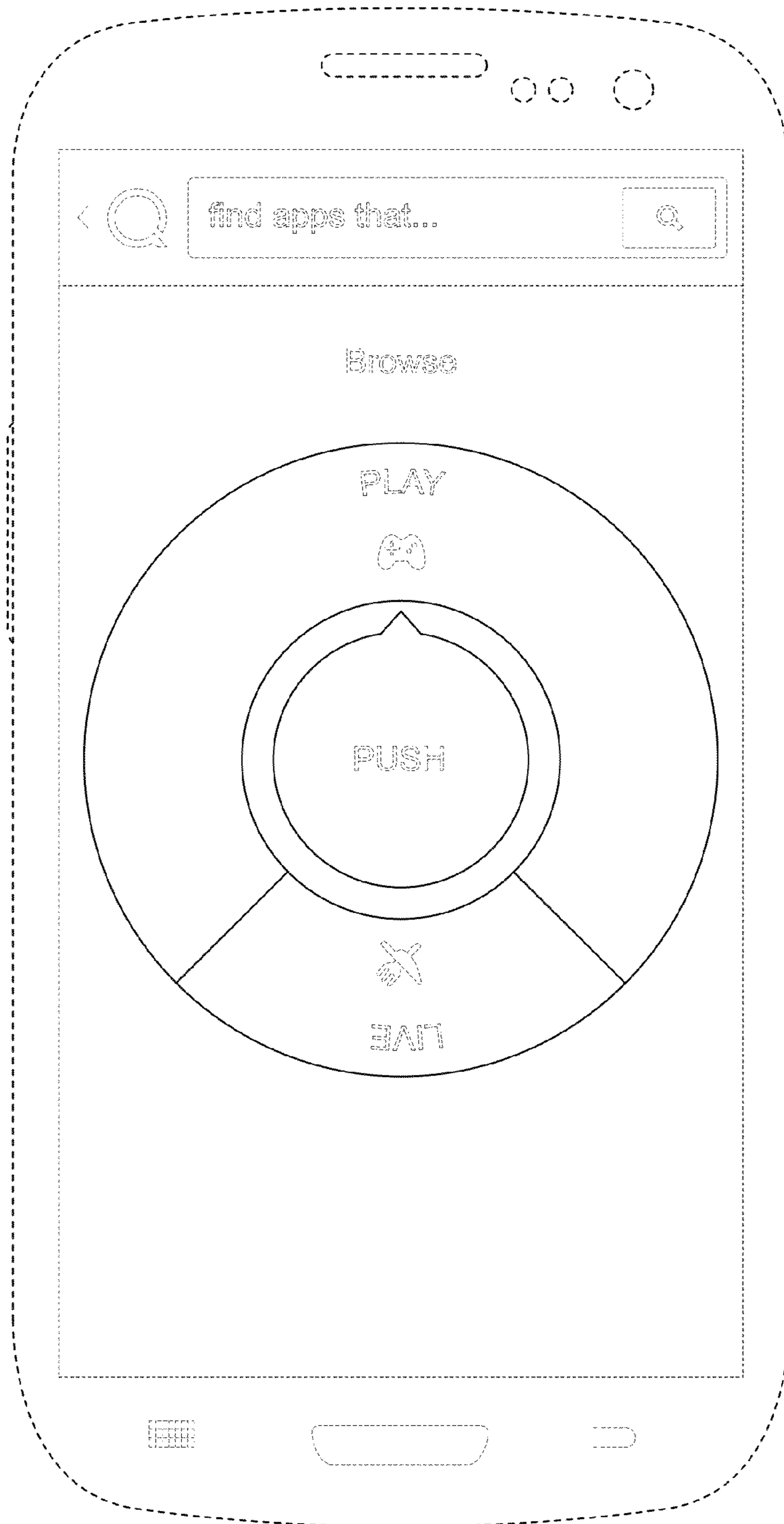


FIG. 3

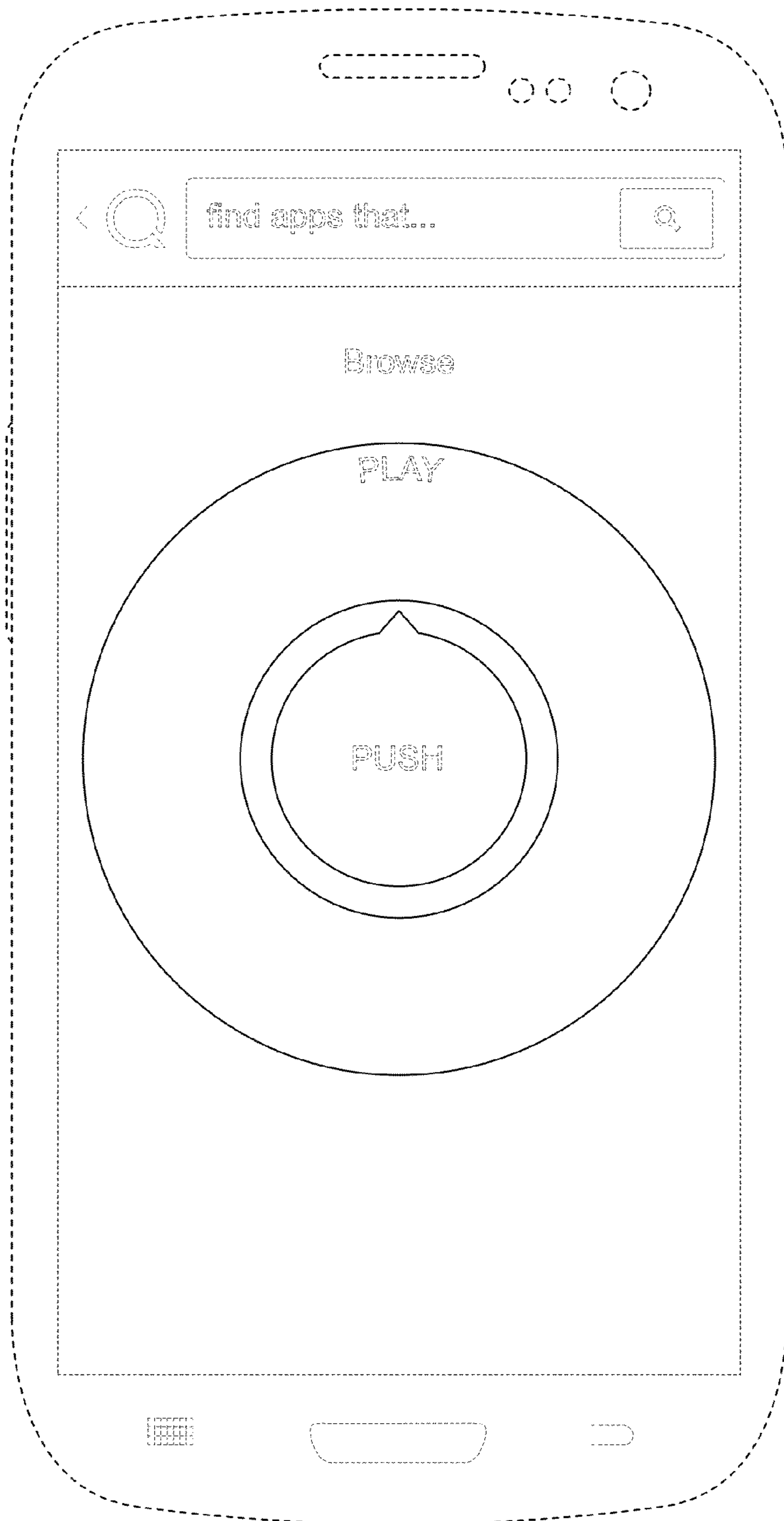


FIG. 4