



US00D716313S

(12) **United States Design Patent**
Park et al.

(10) **Patent No.:** **US D716,313 S**

(45) **Date of Patent:** **** Oct. 28, 2014**

(54) **USB CAP**

(71) Applicant: **Samsung Electronics Co., Ltd.**,
Suwon-si (KR)

(72) Inventors: **Sang-II Park**, Namyangju-Si (KR);
Se-O Lee, Sungname-Si (KR)

(73) Assignee: **Samsung Electronics Co., Ltd.**,
Suwon-si (KR)

(**) Term: **14 Years**

(21) Appl. No.: **29/473,535**

(22) Filed: **Nov. 22, 2013**

(30) **Foreign Application Priority Data**

May 24, 2013 (KR) 30-2013-0026991

(51) **LOC (10) Cl.** **14-02**

(52) **U.S. Cl.**
USPC **D14/484.1**

(58) **Field of Classification Search**
CPC G06K 19/07732
USPC D14/411, 433, 435.1, 436, 480.1–480.7,
D14/484.1, 137, 155, 203.1–203.8, 240,
D14/242; D13/133, 154; D3/201, 273,
D3/207–208

See application file for complete search history.

(56) **References Cited**

U.S. PATENT DOCUMENTS

D340,048 S * 10/1993 Tseng D14/433
D501,485 S * 2/2005 Lian et al. D14/203.3

D524,817 S * 7/2006 Conley et al. D14/480.5
D556,197 S * 11/2007 Blankenship et al. D14/480.6
D579,449 S * 10/2008 Okamoto et al. D14/484.1
D581,826 S * 12/2008 Molyneux D11/2
D613,742 S * 4/2010 Avery et al. D14/411
D622,277 S * 8/2010 Yang D14/480.5
D629,407 S * 12/2010 Otsuka D14/480.5
8,029,299 B1 * 10/2011 Huang 439/135
D697,517 S * 1/2014 Pressman et al. D14/484.1
2012/0087722 A1 * 4/2012 Lin et al. 403/327

* cited by examiner

Primary Examiner — Karen E Kearney

(74) *Attorney, Agent, or Firm* — NSIP Law

(57) **CLAIM**

The ornamental design for a USB cap, as shown and described.

DESCRIPTION

FIG. 1 is a front perspective view of a USB cap showing our new design;
FIG. 2 is a front view thereof;
FIG. 3 is a rear view thereof;
FIG. 4 is a left-side view thereof;
FIG. 5 is a right-side view thereof;
FIG. 6 is a top view thereof;
FIG. 7 is a bottom view thereof; and,
FIG. 8 is a top view thereof in an exemplary use environment. The broken line showings of the portions of the USB cap in FIGS. 1-8, and the dash dot line showing of the arm in FIG. 8, are included for the purpose of illustrating environmental structure and form no part of the claimed design.

1 Claim, 5 Drawing Sheets

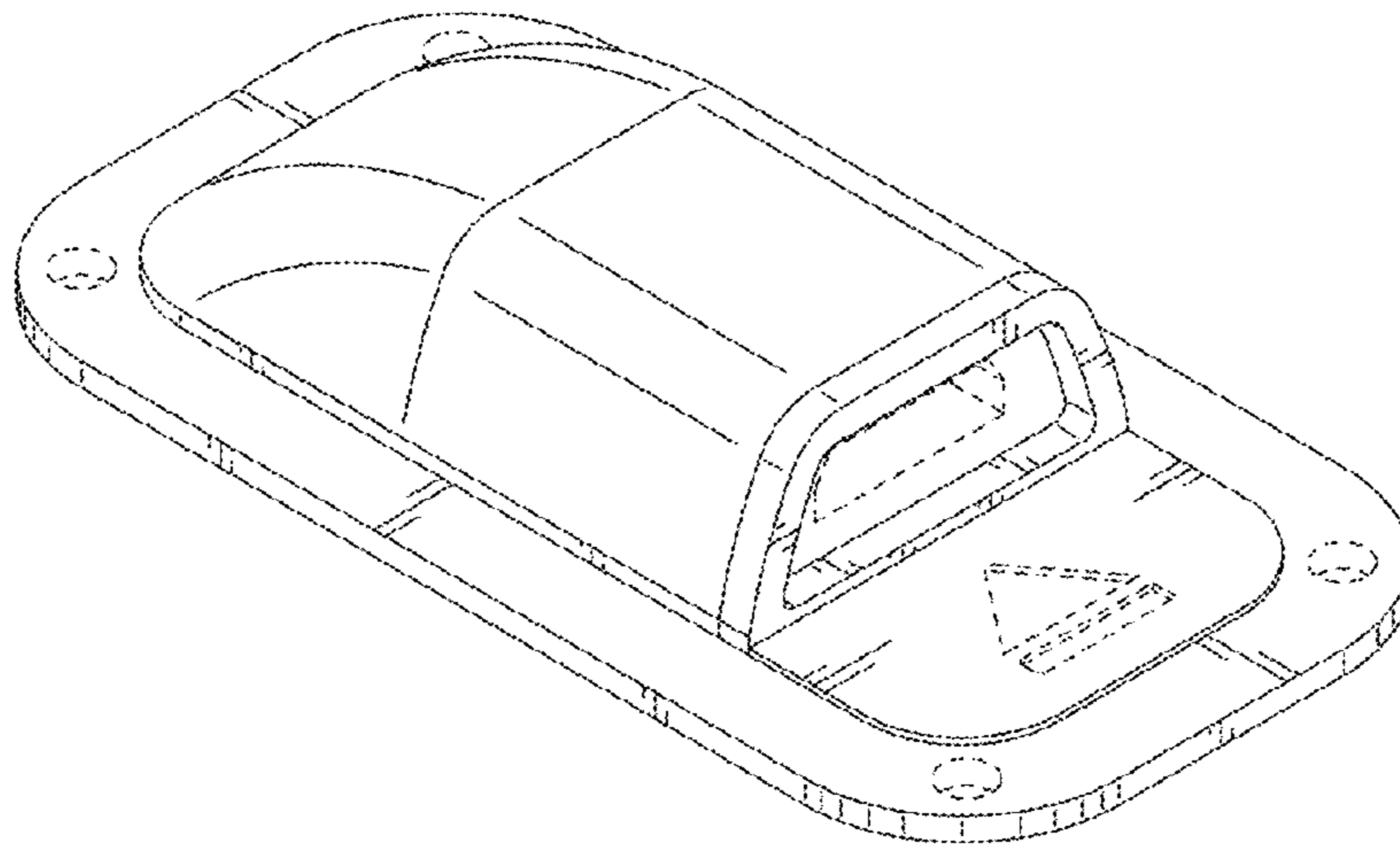


FIG. 1

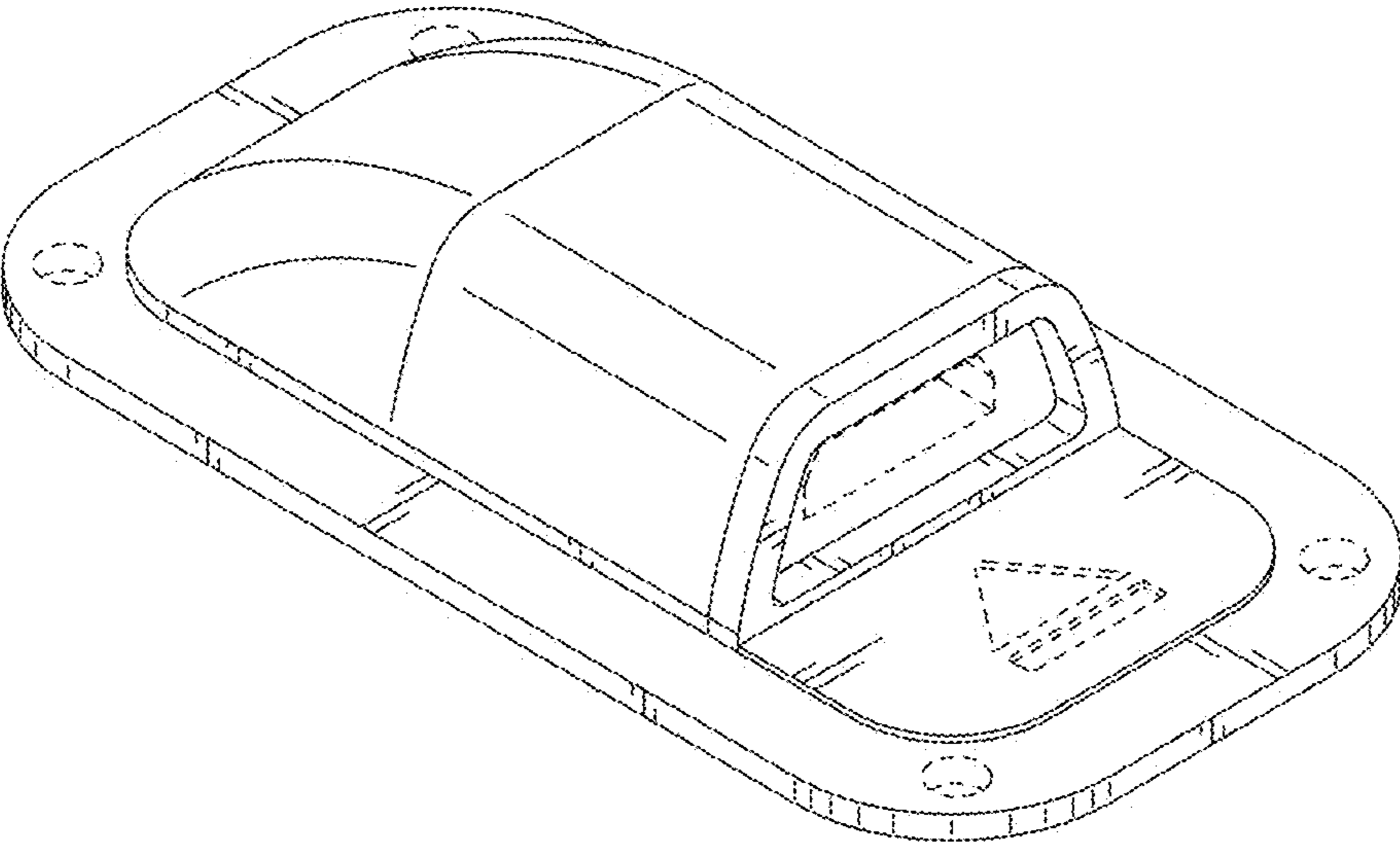


FIG. 2

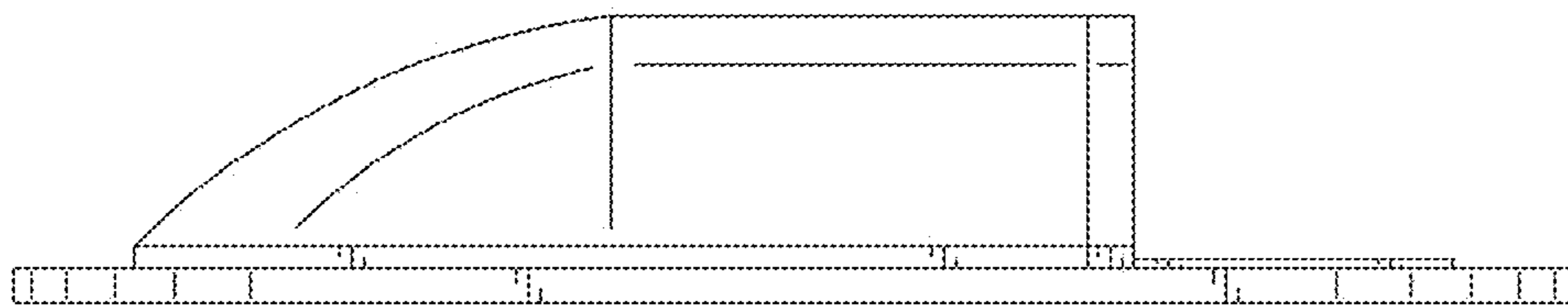


FIG. 3

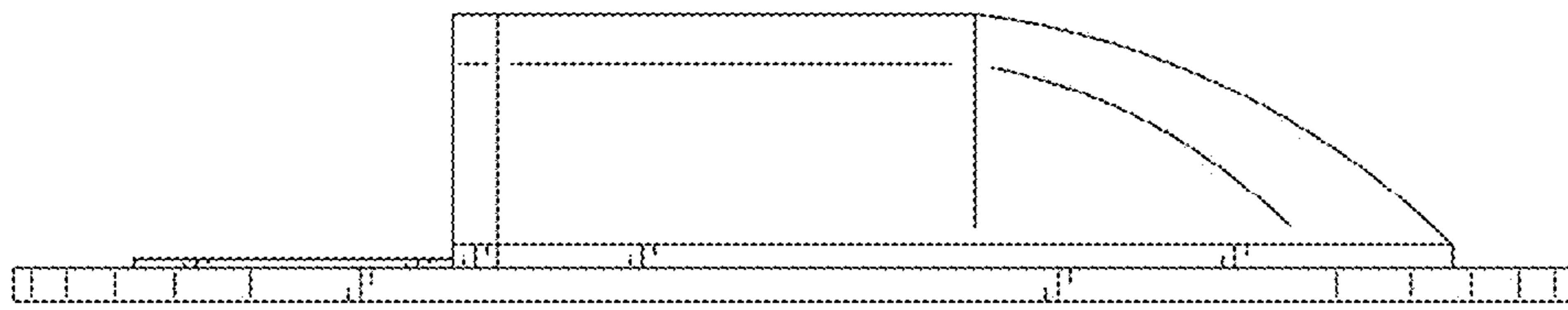


FIG. 4

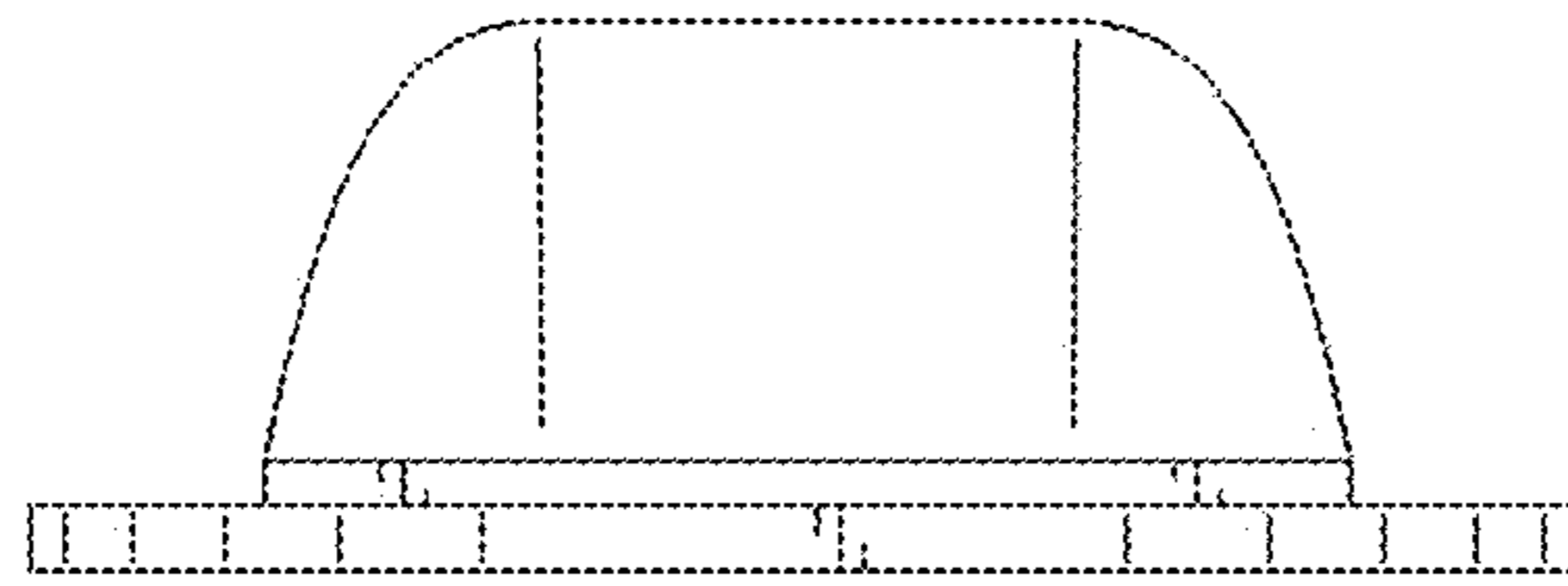


FIG. 5

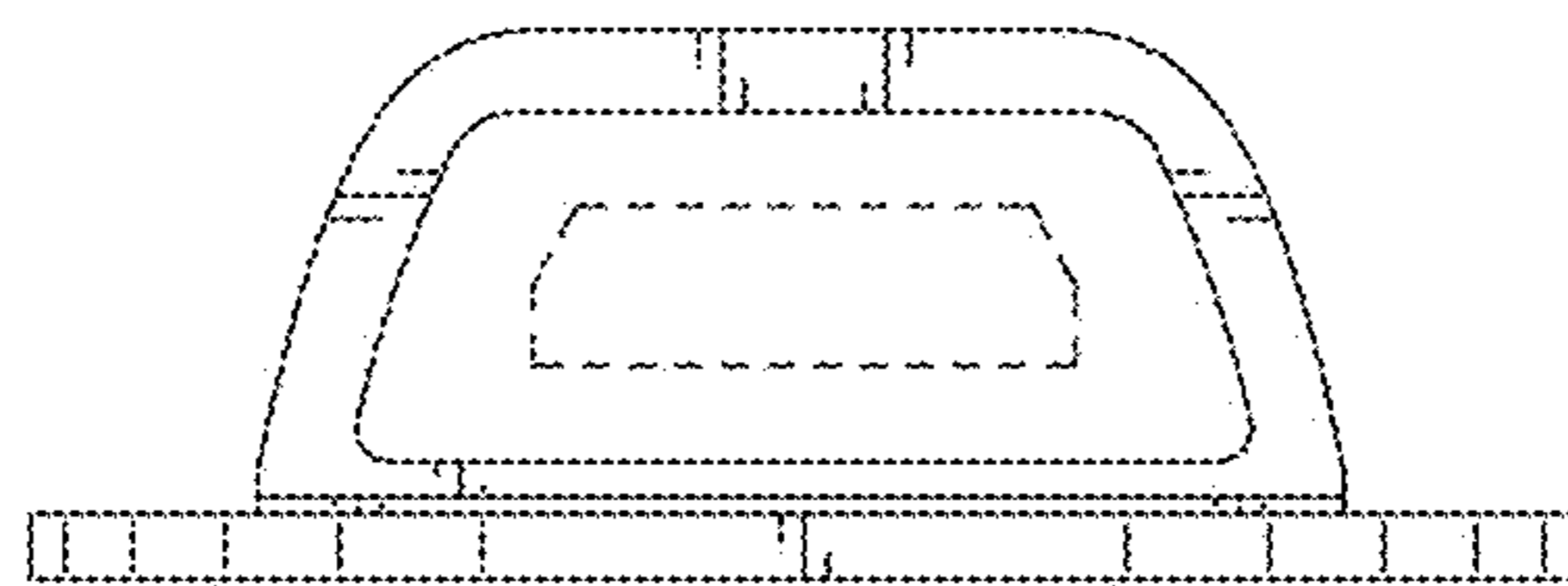


FIG. 6

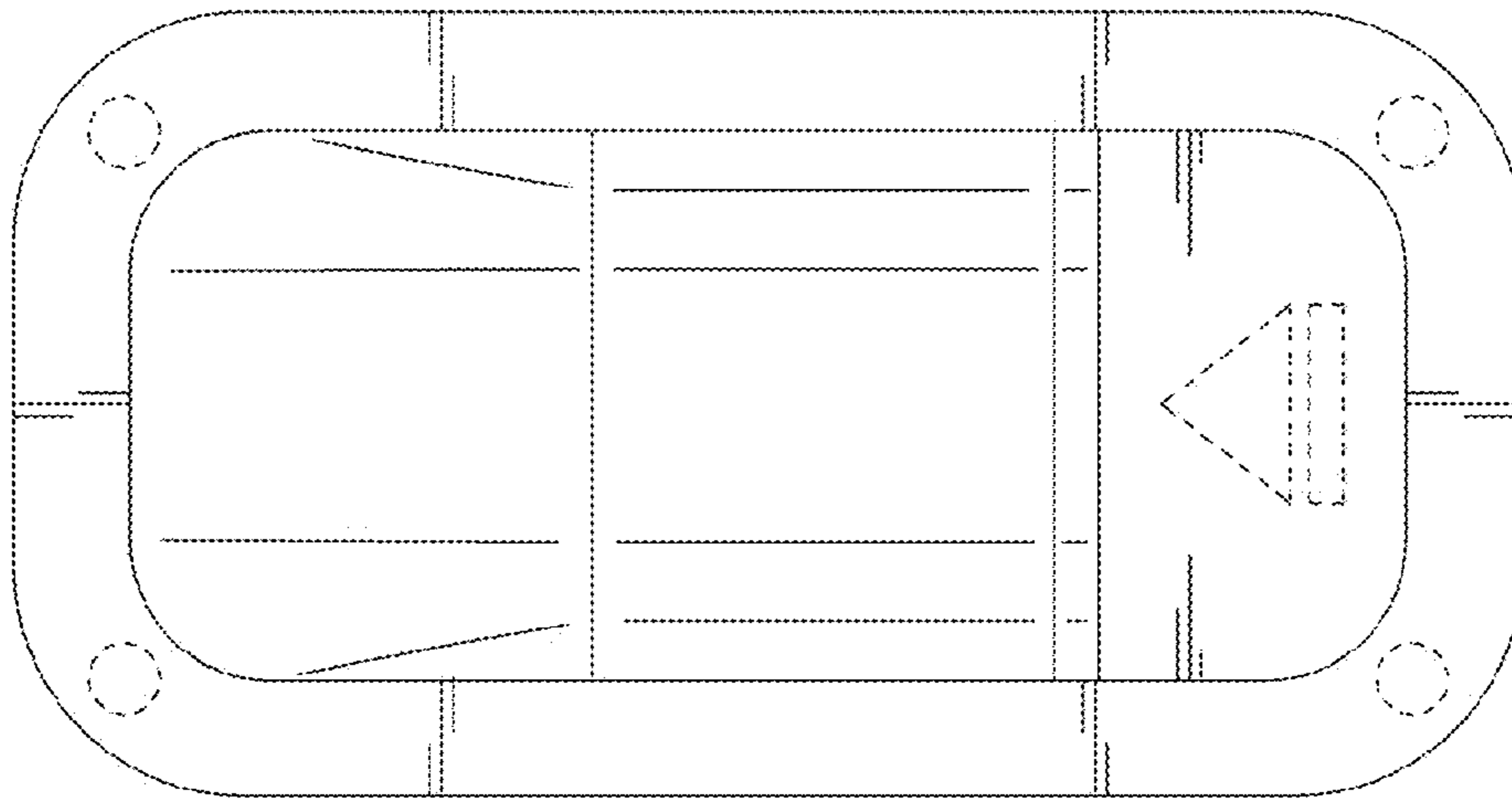


FIG. 7

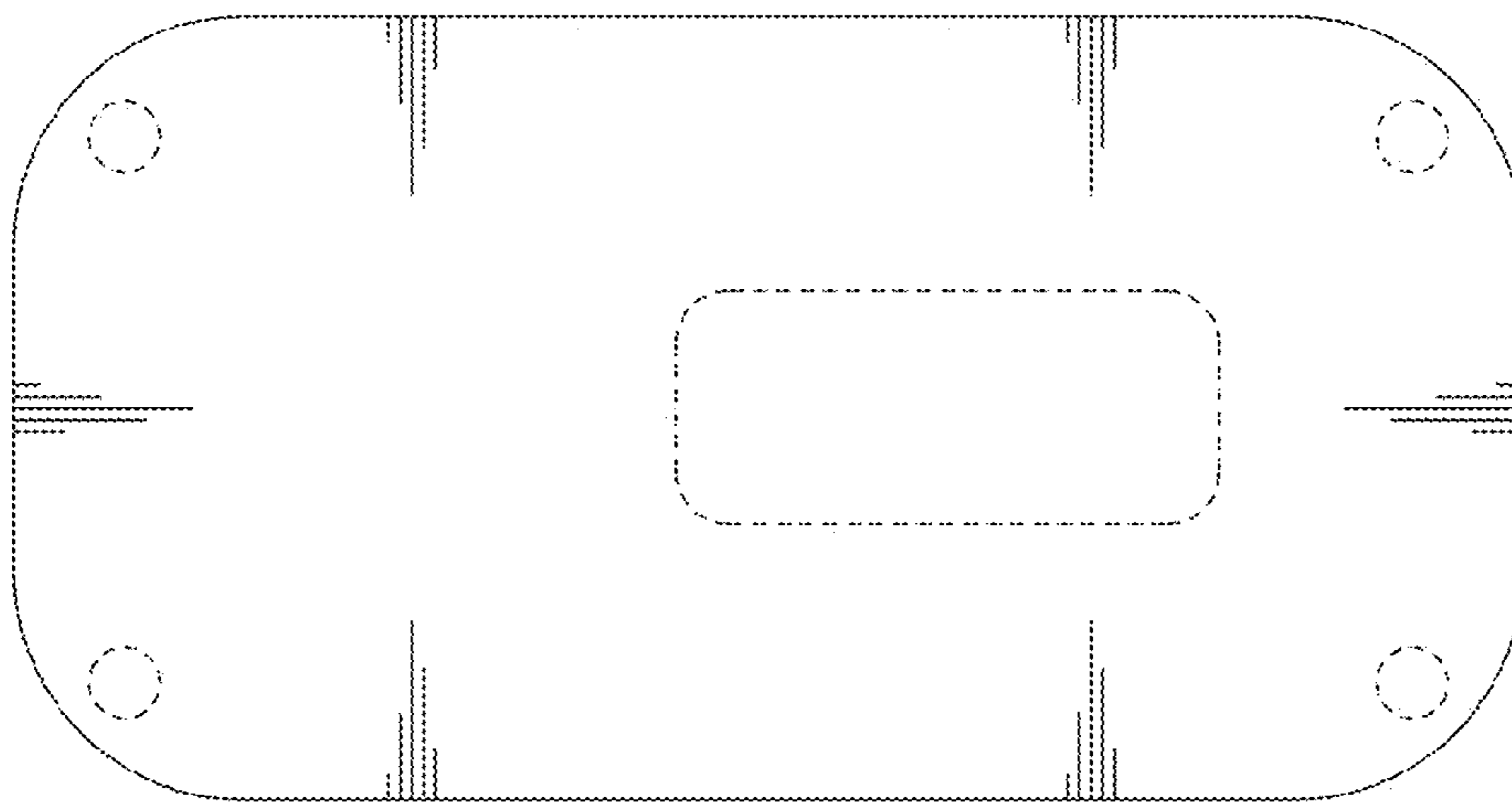


FIG. 8

