



US00D716312S

(12) **United States Design Patent**  
**Fujioka**

(10) **Patent No.:** **US D716,312 S**  
(45) **Date of Patent:** **\*\* Oct. 28, 2014**

(54) **PROTECTIVE BUMPER FOR AN ELECTRONIC DEVICE**

(76) Inventor: **Robb Fujioka**, Manhattan Beach, CA (US)

(\*\*) Term: **14 Years**

(21) Appl. No.: **29/426,458**

(22) Filed: **Jul. 5, 2012**

**Related U.S. Application Data**

(63) Continuation-in-part of application No. 13/323,719, filed on Dec. 12, 2011.

(51) **LOC (10) Cl.** ..... **14-02**

(52) **U.S. Cl.**  
USPC ..... **D14/440**

(58) **Field of Classification Search**  
CPC .. H04M 1/185; H04M 1/0252; H04B 1/3888; G06F 1/1601; G06F 1/1626; G06F 1/1633; G06F 1/1675; G06F 1/1679; G02F 1/1306; G02F 1/133; G02F 1/133308; G02F 1/153; G02F 1/1533; G02F 2001/133317  
USPC ..... D14/250, 251, 253, 240, 217, 496, 440, D14/203.3, 203.4, 203.5, 203.8, 341, 318; D3/218, 215, 201, 294, 289, 900; 220/4.02; 248/309.1; 361/679.56; 379/426, 433.11, 455; 455/575.1, 455/575.8; 190/100; 206/305, 320; D21/469

See application file for complete search history.

(56) **References Cited**

**U.S. PATENT DOCUMENTS**

D643,433 S \* 8/2011 Hsieh et al. .... D14/440  
D656,135 S \* 3/2012 Swartz et al. .... D14/250

D659,132 S \* 5/2012 Wen ..... D14/250  
D662,929 S \* 7/2012 Fahrendorff et al. .... D14/250  
8,256,612 B1 \* 9/2012 Wang ..... 206/320  
D671,930 S \* 12/2012 Akana et al. .... D14/250  
D673,937 S \* 1/2013 Cheng et al. .... D14/250  
D674,789 S \* 1/2013 Wen ..... D14/250  
D678,262 S \* 3/2013 Prato ..... D14/250  
8,523,124 B2 \* 9/2013 Yuan et al. .... 248/188.8  
D692,006 S \* 10/2013 Fujioka ..... D14/440  
2011/0297578 A1 \* 12/2011 Stiehl et al. .... 206/701  
2012/0018325 A1 \* 1/2012 Kim ..... 206/320  
2012/0043236 A1 \* 2/2012 Szucs et al. .... 206/320  
2012/0182678 A1 \* 7/2012 Wu et al. .... 361/679.01  
2012/0257340 A1 \* 10/2012 Kim ..... 361/679.01

\* cited by examiner

*Primary Examiner* — Cynthia Underwood

(74) *Attorney, Agent, or Firm* — Steptoe & Johnson LLP

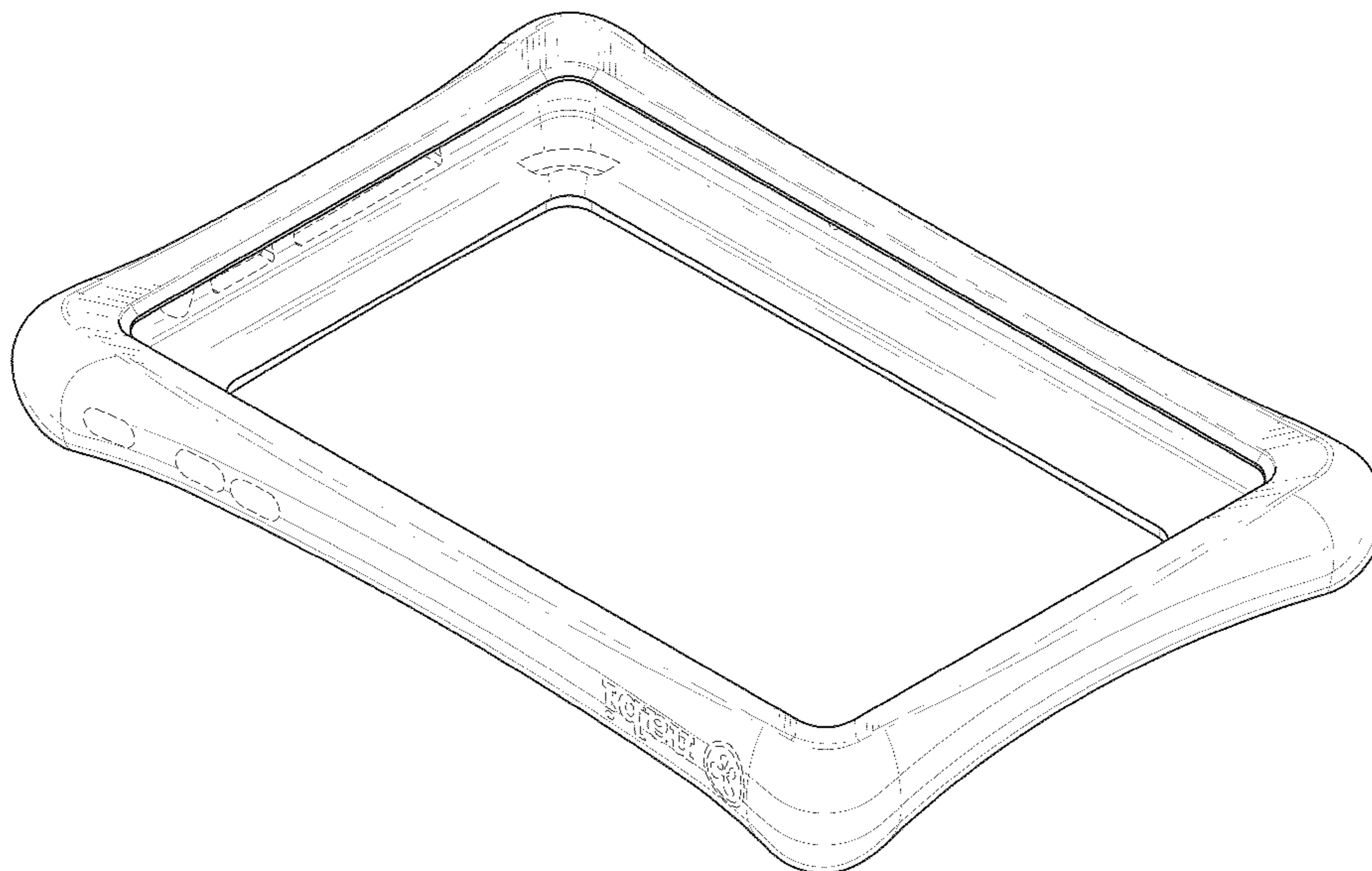
(57) **CLAIM**

The ornamental design for a protective bumper for an electronic device, as shown and described.

**DESCRIPTION**

FIG. 1 is a top perspective view of the protective bumper. FIG. 2 is a front elevation view of the protective bumper. FIG. 3 is a back elevation view of the protective bumper. FIG. 4 is a side elevation view of the protective bumper. FIG. 5 is an another side elevation view of the protective bumper. FIG. 6 is a top elevation view of the protective bumper. FIG. 7 is a bottom elevation view of the protective bumper; and, FIG. 8 is a bottom perspective view of the protective bumper. The broken line portions of the figure drawings are included to show unclaimed subject matter only and forms no part of the claimed design.

**1 Claim, 6 Drawing Sheets**



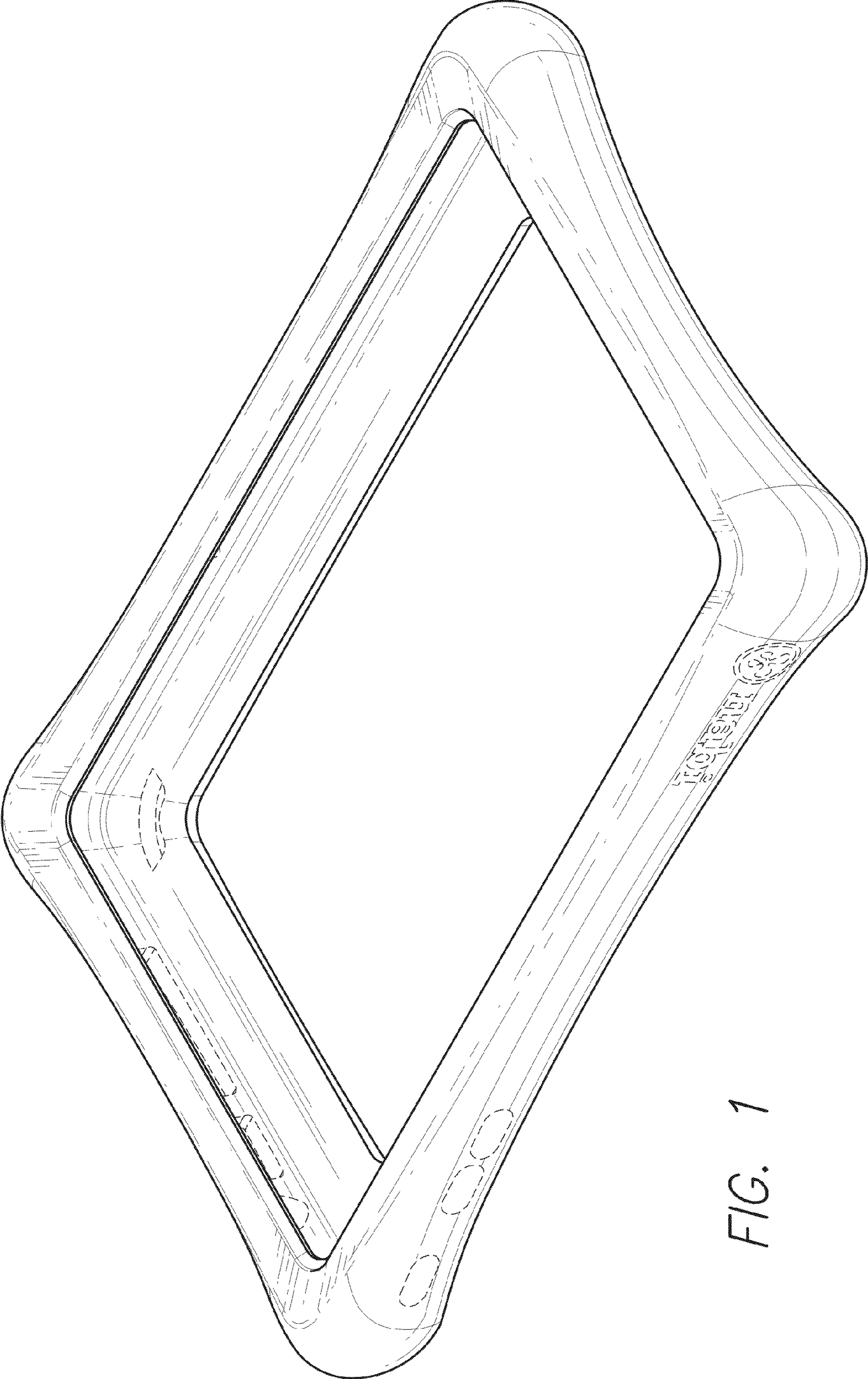


FIG. 1

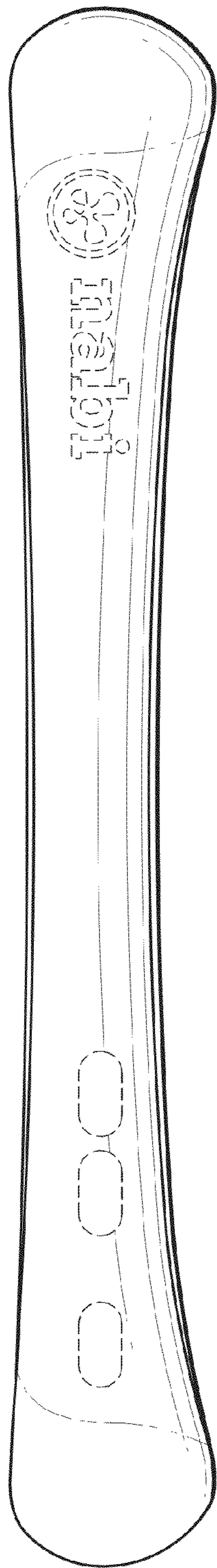


FIG. 2

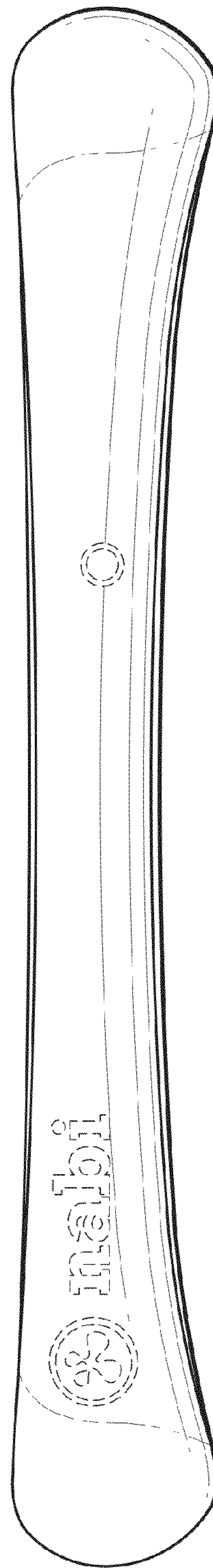


FIG. 3

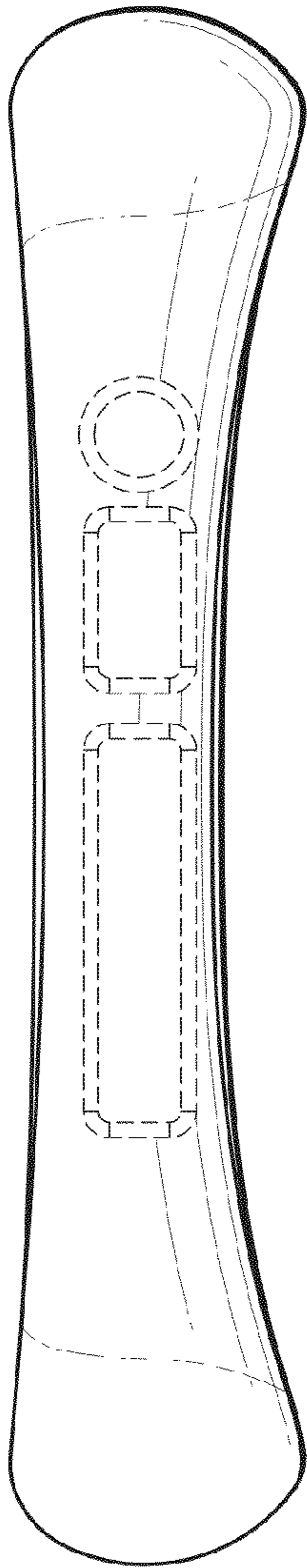


FIG. 4

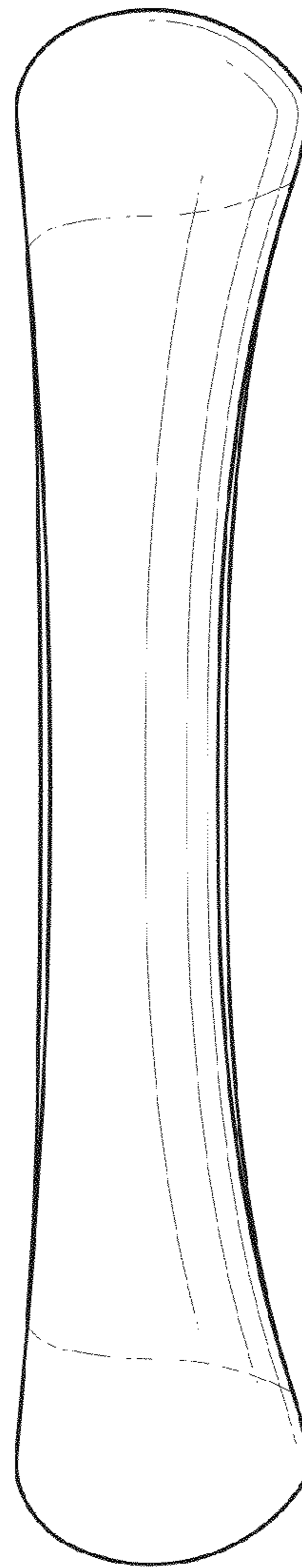


FIG. 5

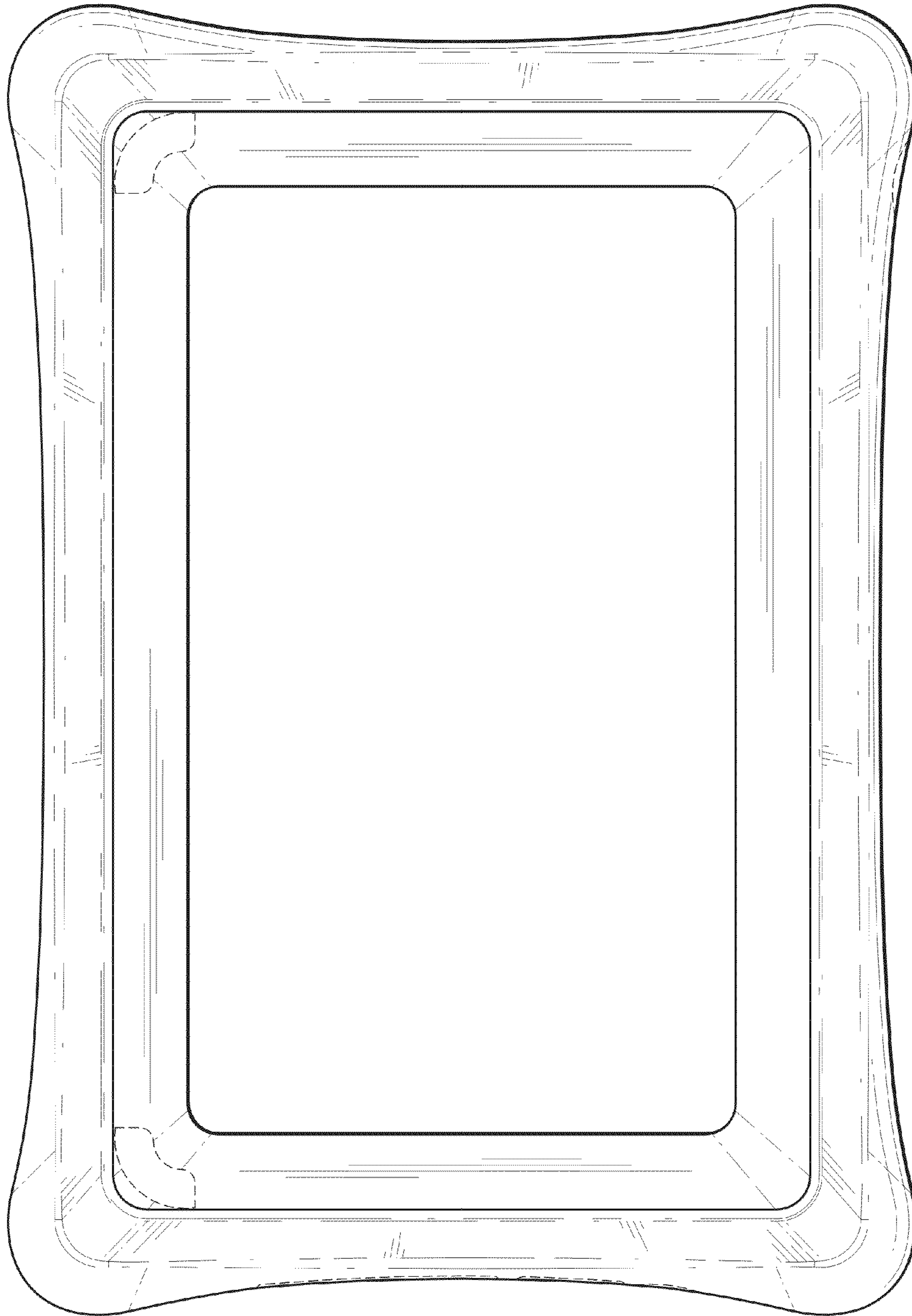


FIG. 6

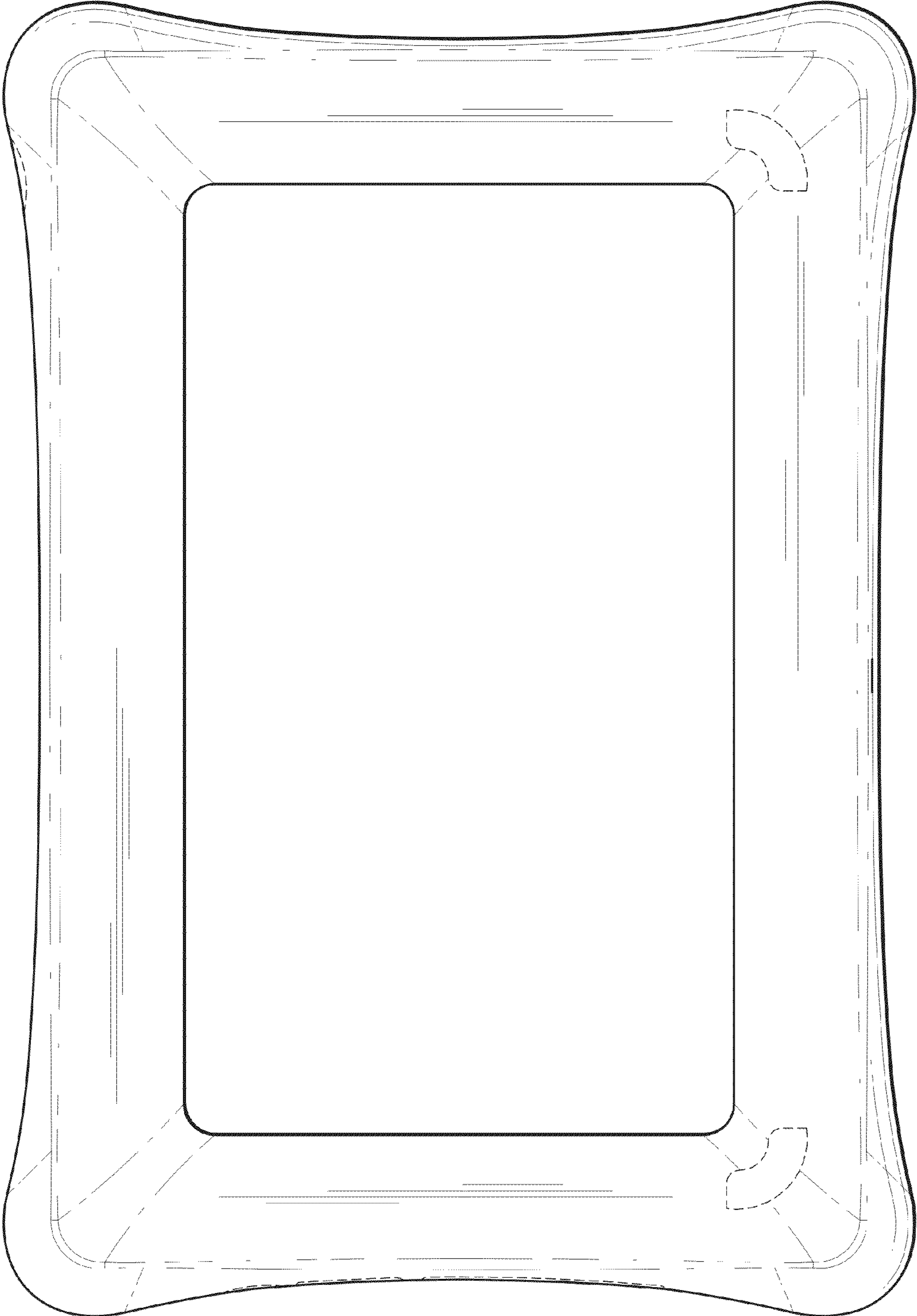


FIG. 7

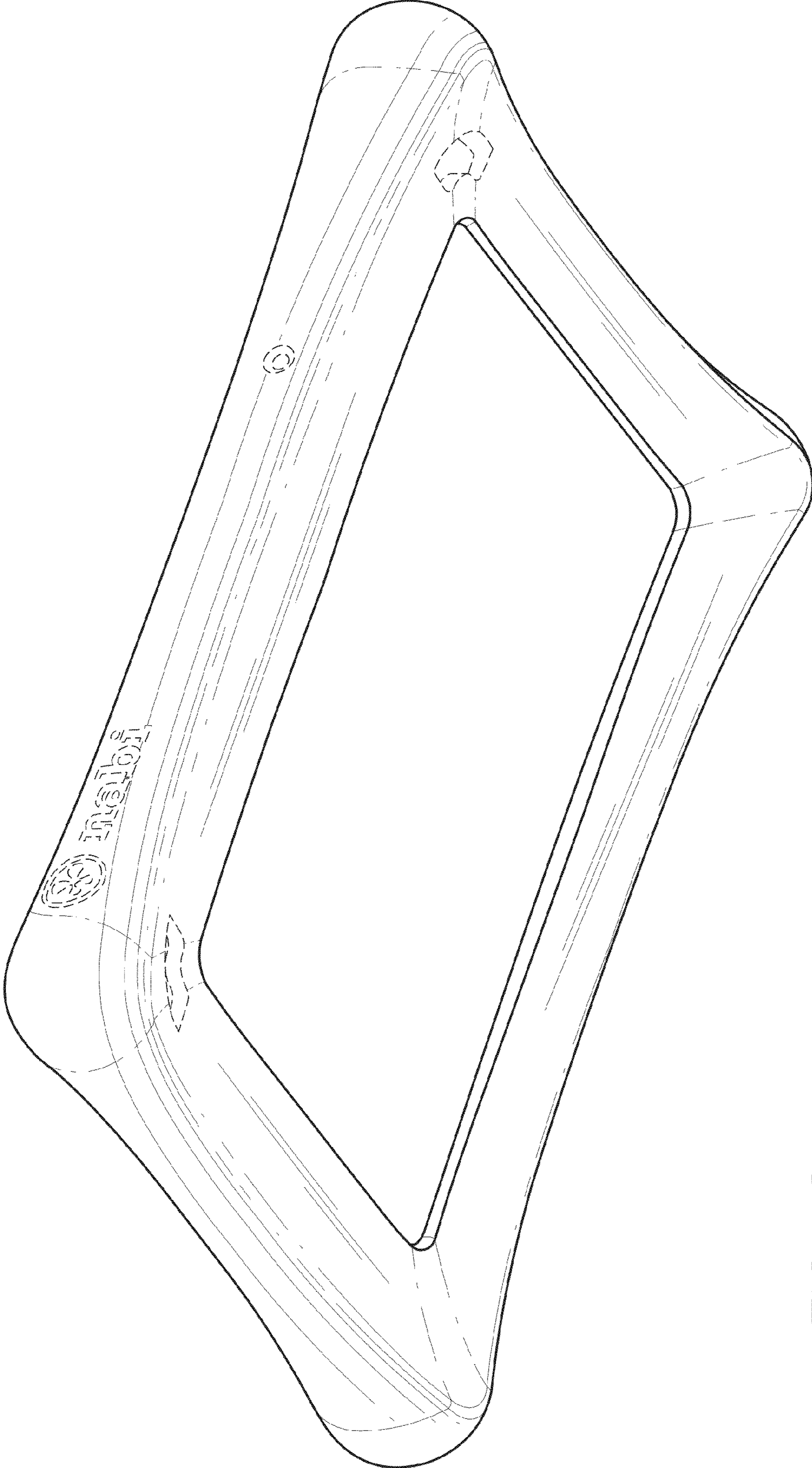


FIG. 8