



US00D716308S

(12) **United States Design Patent**
Park et al.

(10) **Patent No.:** **US D716,308 S**
(45) **Date of Patent:** **** Oct. 28, 2014**

(54) **HANDLE FOR TABLET PC**
(71) Applicant: **Bluebird Inc.**, Seoul (KR)
(72) Inventors: **Jung Sik Park**, Namyangju-si (KR); **Se Bin Park**, Seoul (KR); **Jang Won Lee**, Seoul (KR)
(73) Assignee: **Bluebird Inc.** (KR)

(**) Term: **14 Years**

(21) Appl. No.: **29/460,179**

(22) Filed: **Jul. 9, 2013**

(30) **Foreign Application Priority Data**

Jan. 11, 2013 (KR) 30-2013-0001944

(51) **LOC (10) Cl.** **14-02**

(52) **U.S. Cl.**
USPC **D14/432**

(58) **Field of Classification Search**
CPC B25G 1/00; B25G 1/01; B25G 1/066;
B25G 1/102; B25G 3/02
USPC D14/324, 328, 341-347, 411, 432,
D14/439-446, 299; D13/218, 318, 319,
D13/321, 322, 328; D8/349, 354; D19/56;
361/679.56; 24/546; 248/560
See application file for complete search history.

(56) **References Cited**

U.S. PATENT DOCUMENTS

D427,572 S * 7/2000 Solomon et al. D14/439
D449,303 S * 10/2001 Chou D14/432

D449,834 S * 10/2001 Chou et al. D14/432
D582,918 S * 12/2008 Scott D14/432
D587,715 S * 3/2009 Davis et al. D14/451
D598,919 S * 8/2009 Takemasa et al. D14/432
D613,291 S * 4/2010 Carver D14/432
D618,244 S * 6/2010 Sweet et al. D14/432
D695,742 S * 12/2013 Yang D14/432
D709,512 S * 7/2014 Wardlaw D14/447
2010/0240422 A1 * 9/2010 Park 455/575.1
2012/0075801 A1 * 3/2012 Yang et al. 361/679.59
2014/0063735 A1 * 3/2014 Lee et al. 361/679.56

* cited by examiner

Primary Examiner — Austin Murphy

(74) *Attorney, Agent, or Firm* — Cantor Colburn LLP

(57) **CLAIM**

The ornamental design for a handle for tablet PC, as shown and described.

DESCRIPTION

FIG. 1 is a perspective view of a handle for tablet PC showing our new design;
FIG. 2 is a front view thereof;
FIG. 3 is a rear view thereof;
FIG. 4 is a left side view thereof;
FIG. 5 is a right side view thereof;
FIG. 6 is a top plan view thereof;
FIG. 7 is a bottom plan view thereof;
FIG. 8 is a reference view thereof when in use;
FIG. 9 is another reference view thereof when in use; and,
FIG. 10 is a cross-sectional view thereof taken along line 10-10 of FIG. 2.

The broken lines are shown for environmental structures when in use and form no part of the claimed design.

1 Claim, 7 Drawing Sheets

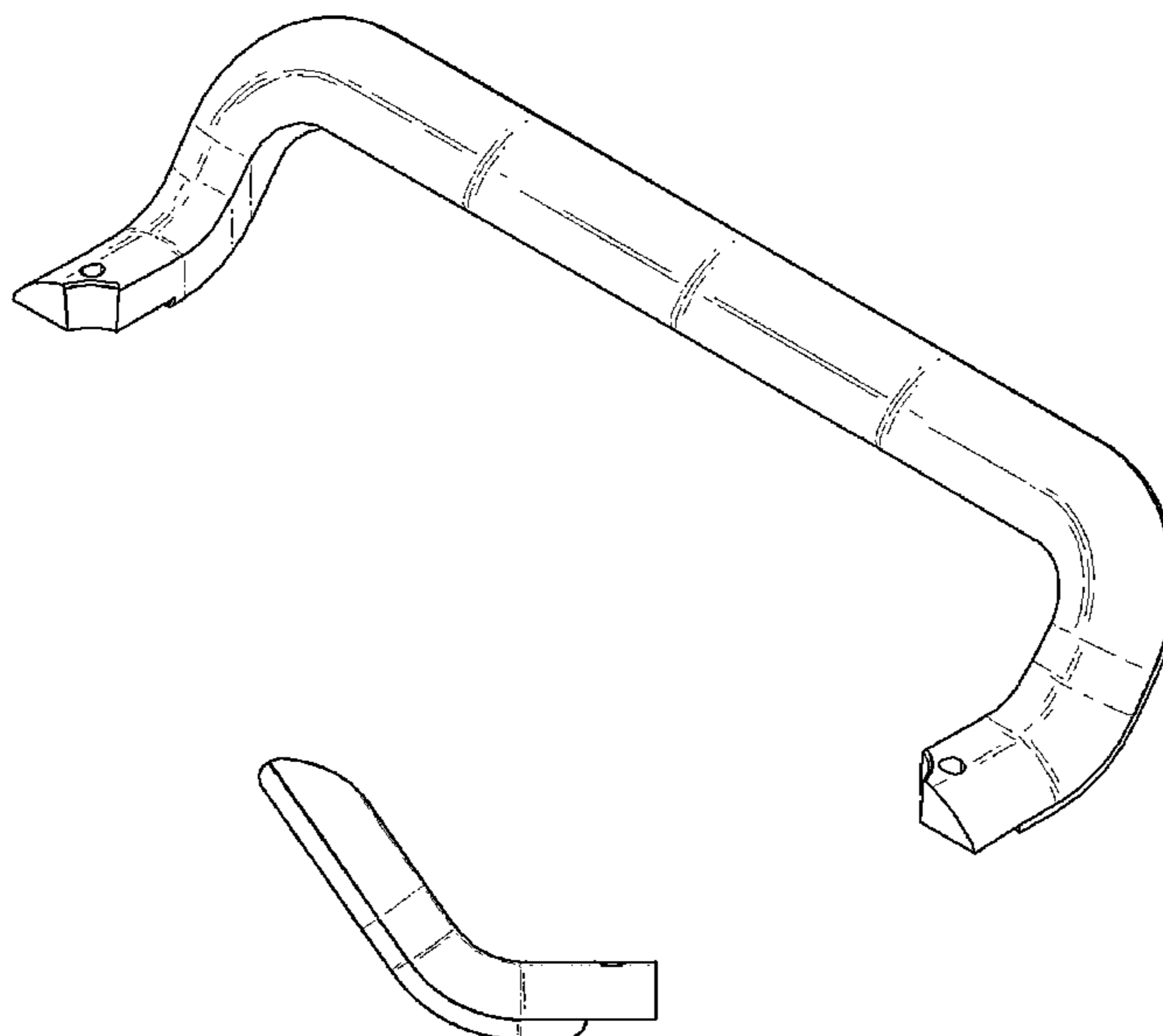


Fig. 1

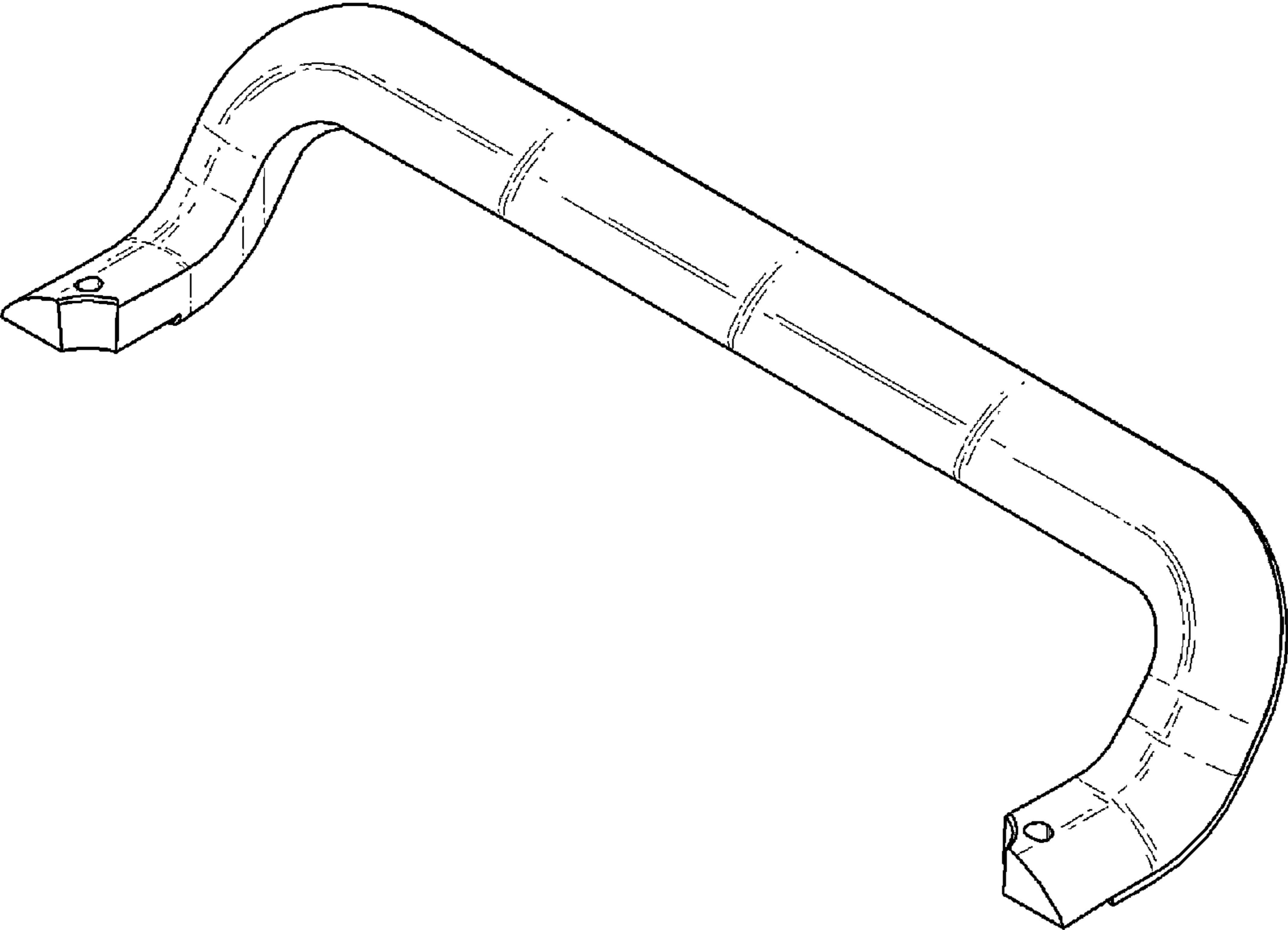


Fig. 2

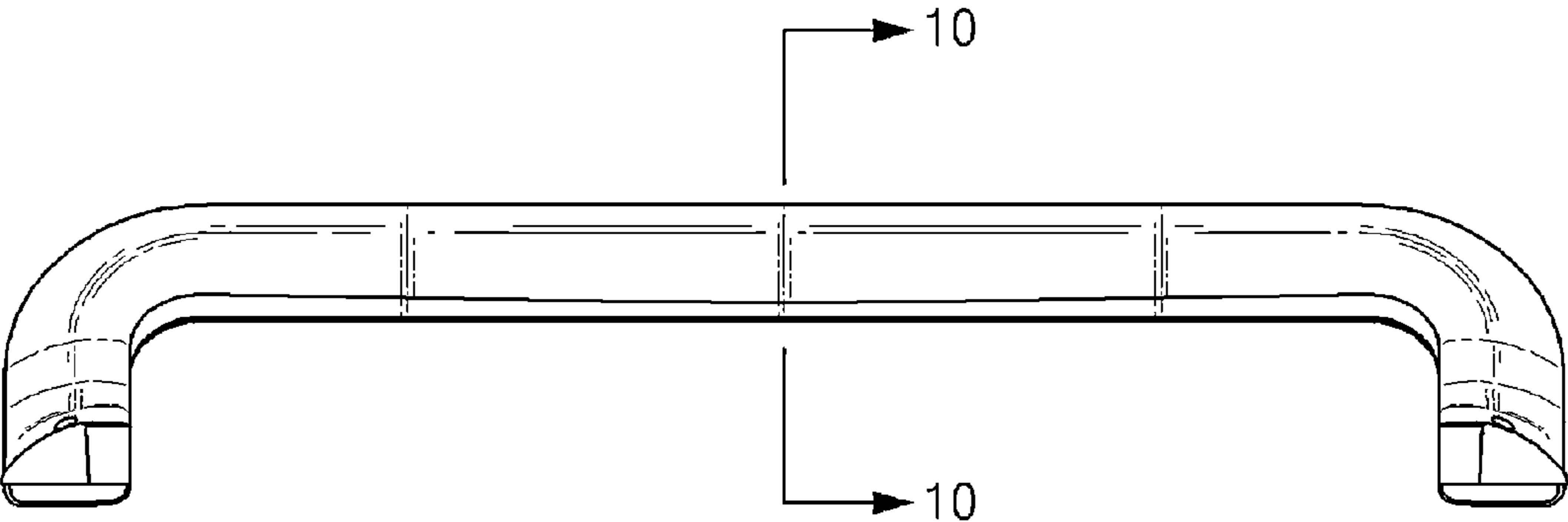


Fig. 3



Fig. 4

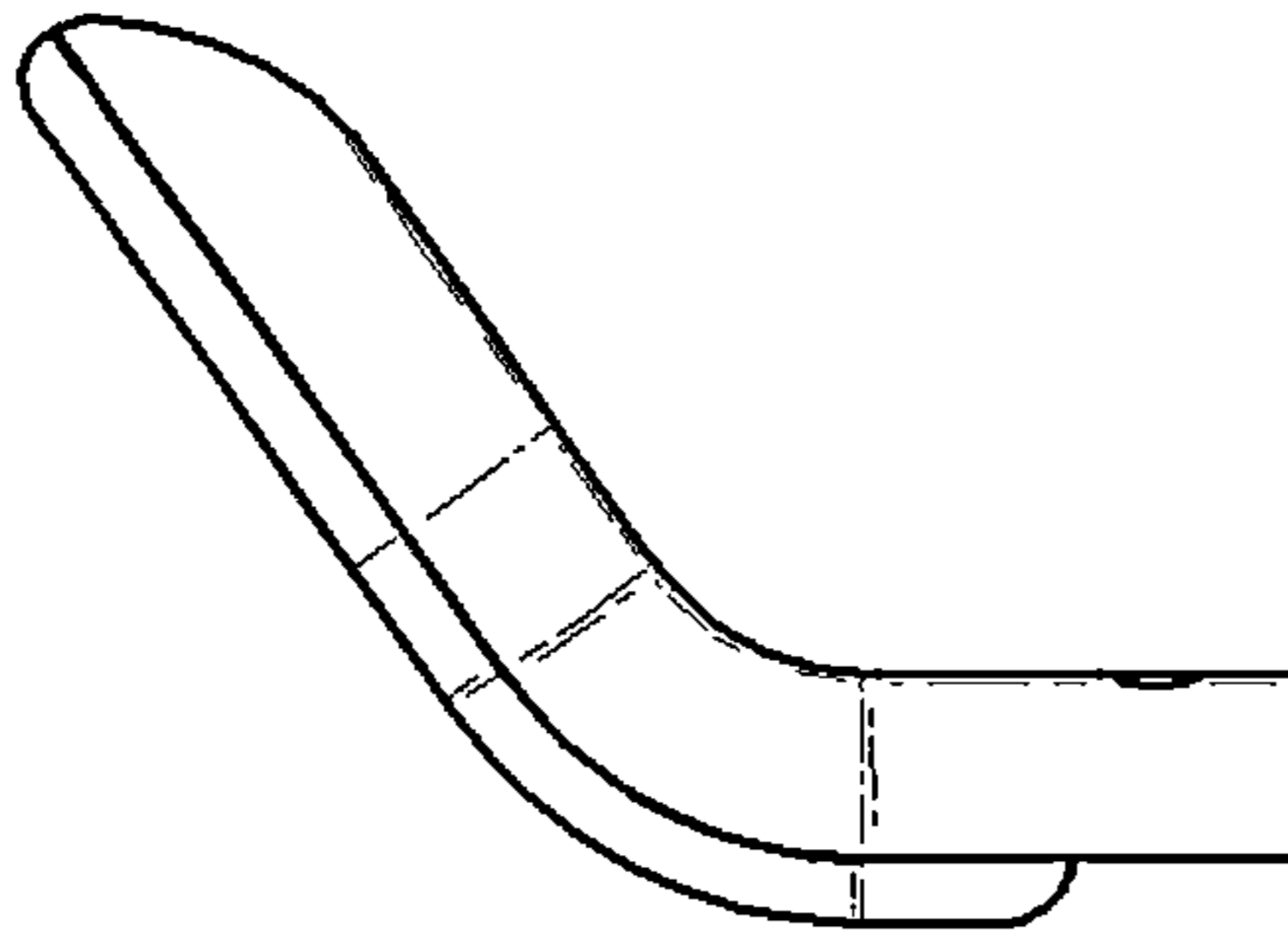


Fig. 5

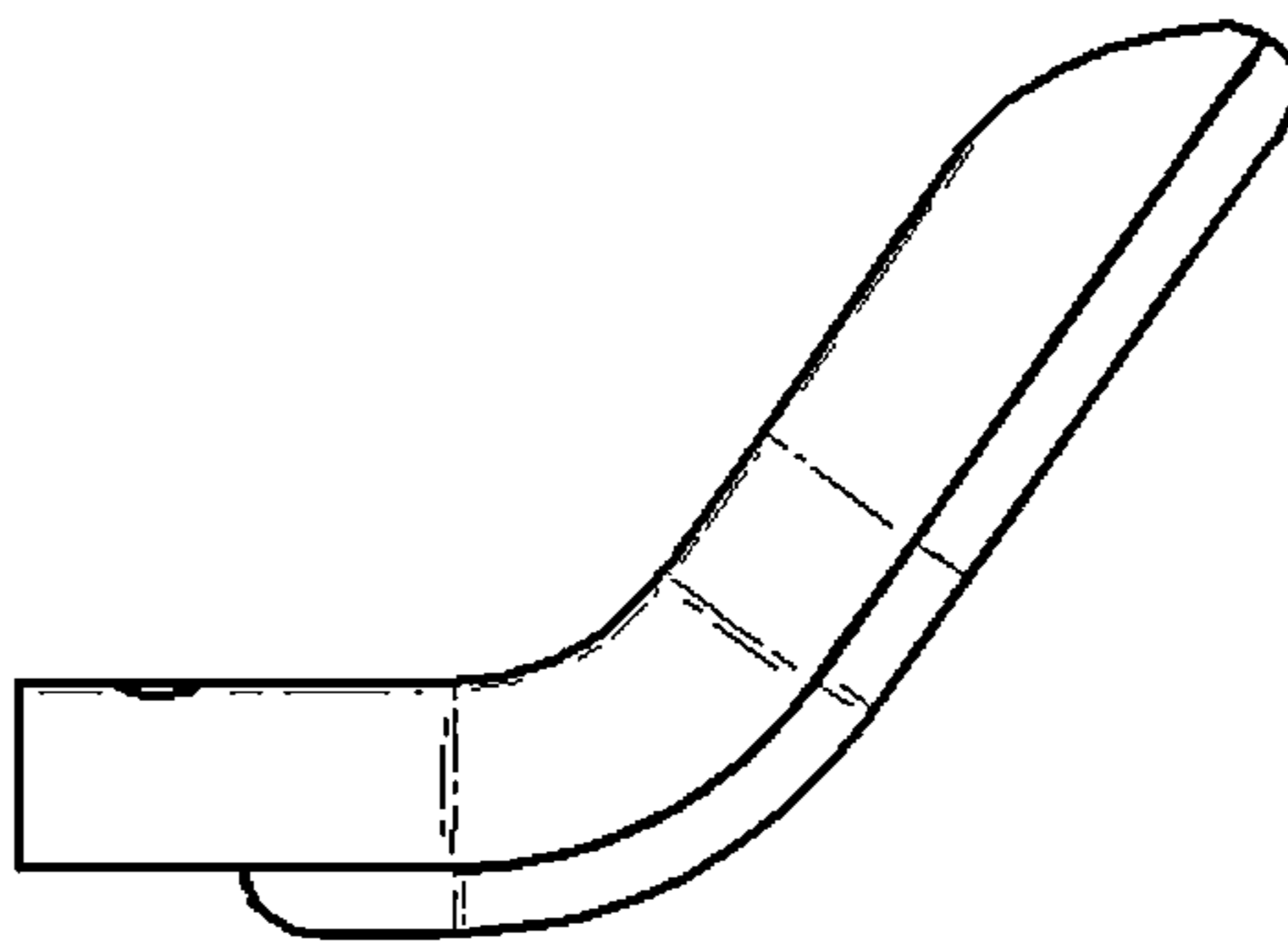


Fig. 6

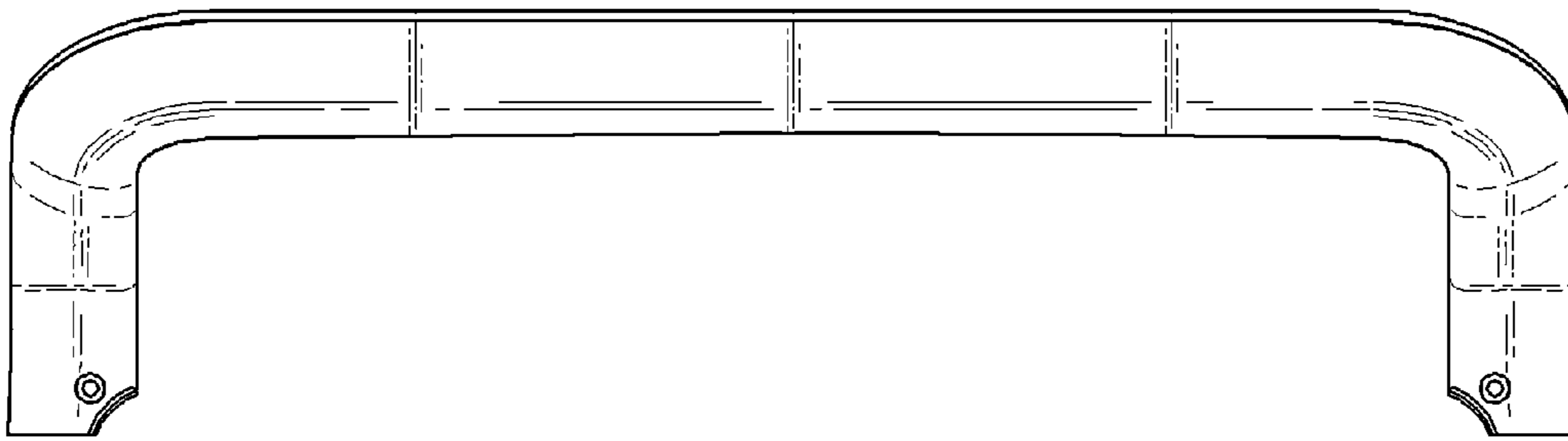


Fig. 7

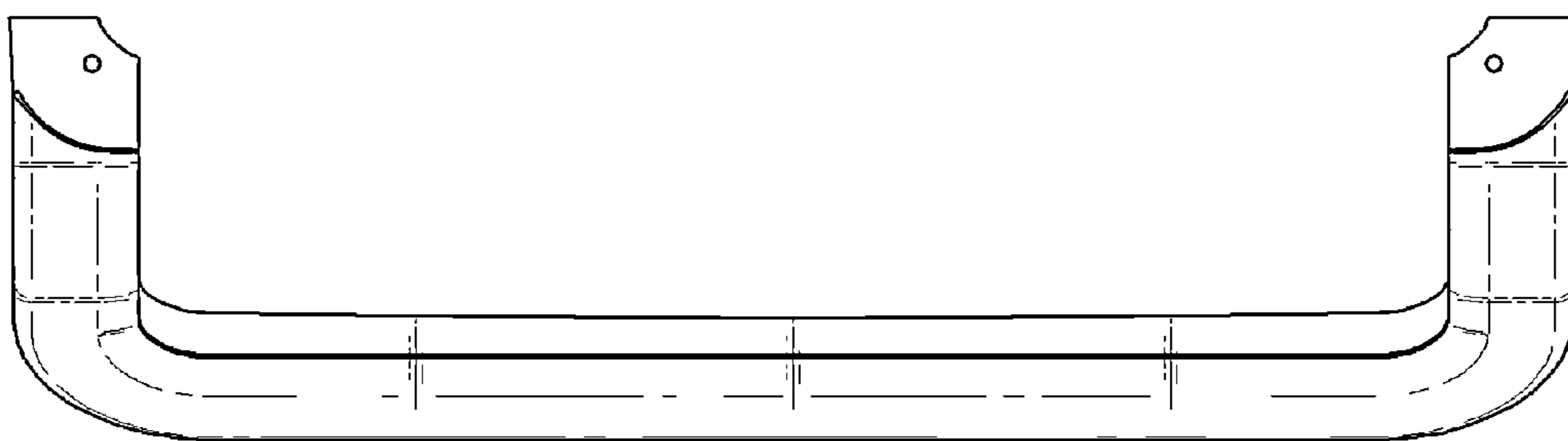


Fig. 8

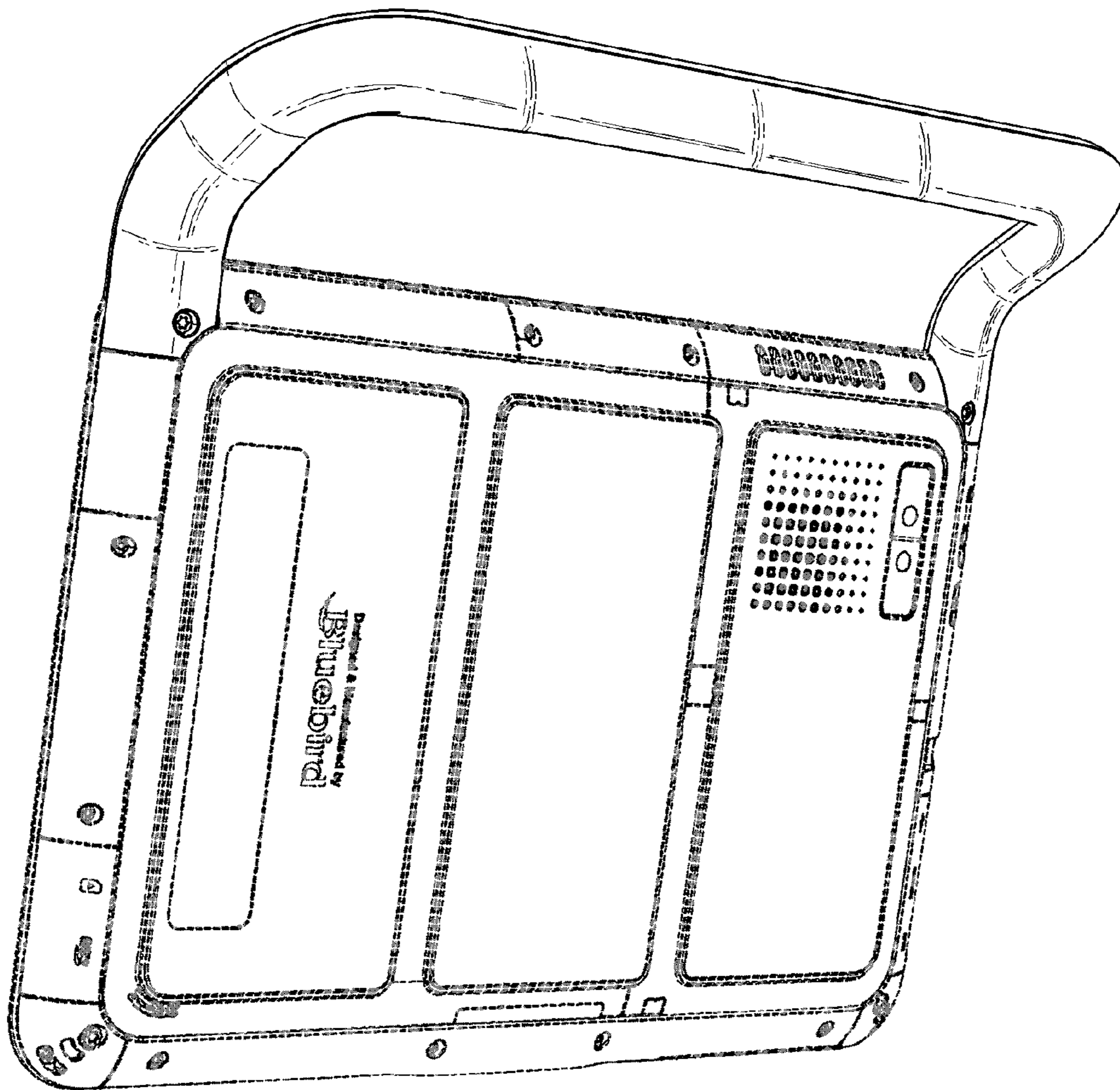


Fig. 9

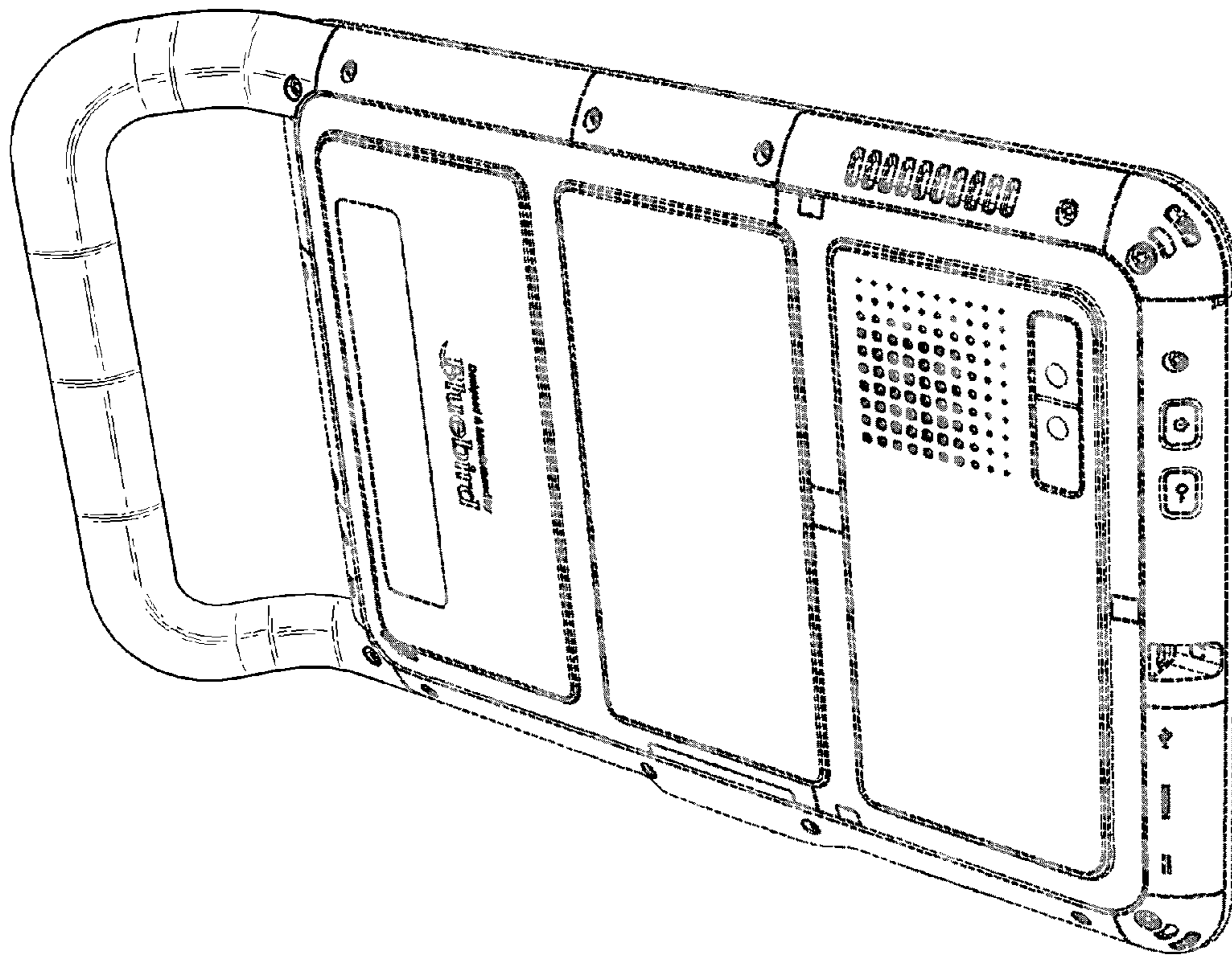


Fig. 10

