



US00D716305S

(12) **United States Design Patent**
Tani

(10) **Patent No.:** **US D716,305 S**
(45) **Date of Patent:** **** Oct. 28, 2014**

(54) **SCANNER**

(75) Inventor: **Atsushi Tani**, Fukuoka (JP)

(73) Assignee: **Panasonic Corporation**, Osaka (JP)

(**) Term: **14 Years**

(21) Appl. No.: **29/427,900**

(22) Filed: **Jul. 24, 2012**

(30) **Foreign Application Priority Data**

Apr. 27, 2012 (JP) 2012-009999

(51) **LOC (10) Cl.** **14-02**

(52) **U.S. Cl.**
USPC **D14/422**

(58) **Field of Classification Search**
USPC D14/420, 422, 425, 462-470, 424, 389,
D14/125, 399; D18/54, 55, 50, 53, 36-39,
D18/14, 18-21, 49, 46, 52, 56, 51, 54.4;
D13/164, 168; 358/400, 401, 448, 474,
358/486-488, 496, 497, 494, 473, 302, 468,
358/498; 382/312, 317, 321, 315; 400/613,
400/613.1-613.4, 690.1-690.4, 691-694,
400/88, 175; 399/107, 379, 380, 211, 212;
235/462.11, 462.41, 472.01, 470,
235/462.43; 361/680, 681; 378/177, 187,
378/188; 101/93.4, 269; 355/78; D24/165,
D24/169, 186; 600/502, 503, 499, 494, 490,
600/485, 500, 492, 480, 493, 495, 479;
128/900; 16/286; 347/104, 109, 5;
271/186, 225, 126, 121, 137, 138

See application file for complete search history.

(56) **References Cited**

U.S. PATENT DOCUMENTS

D240,080 S * 5/1976 Brown D18/36
D268,111 S * 3/1983 Clemens D18/54
D277,133 S * 1/1985 Houlihan D24/165

D285,965 S * 9/1986 Nishibori et al. D24/165
D286,437 S * 10/1986 Nishibori D24/165
D292,976 S * 12/1987 Kando D14/466
D295,186 S * 4/1988 Hadtke D18/54
D297,051 S * 8/1988 Kawamura D24/165
D304,722 S * 11/1989 Hashimoto et al. D14/467
D304,724 S * 11/1989 Hashimoto et al. D14/467
D315,360 S * 3/1991 Tokuda et al. D18/54
D315,361 S * 3/1991 Kojima et al. D18/55
D316,869 S * 5/1991 Sugawara et al. D18/54
D318,066 S * 7/1991 Moro D18/54
D324,395 S * 3/1992 Dubson D18/54
D326,678 S * 6/1992 Uchibori et al. D18/55
D348,054 S * 6/1994 Minasian et al. D14/425
D350,075 S * 8/1994 Reeder D10/94
D366,900 S * 2/1996 Pangburn et al. D18/50
D367,821 S * 3/1996 Fischer D10/65
D369,181 S * 4/1996 Kobayashi D18/55
D388,405 S * 12/1997 Lin D14/422

(Continued)

Primary Examiner — Susan Moon Lee

(74) *Attorney, Agent, or Firm* — Panasonic Patent Center

(57) **CLAIM**

I claim the ornamental design for a scanner, as shown and described.

DESCRIPTION

FIG. 1 is a front perspective view of a scanner of the present invention;

FIG. 2 is a rear perspective view thereof;

FIG. 3 is a front view thereof;

FIG. 4 is a first side view thereof;

FIG. 5 is a second side view thereof;

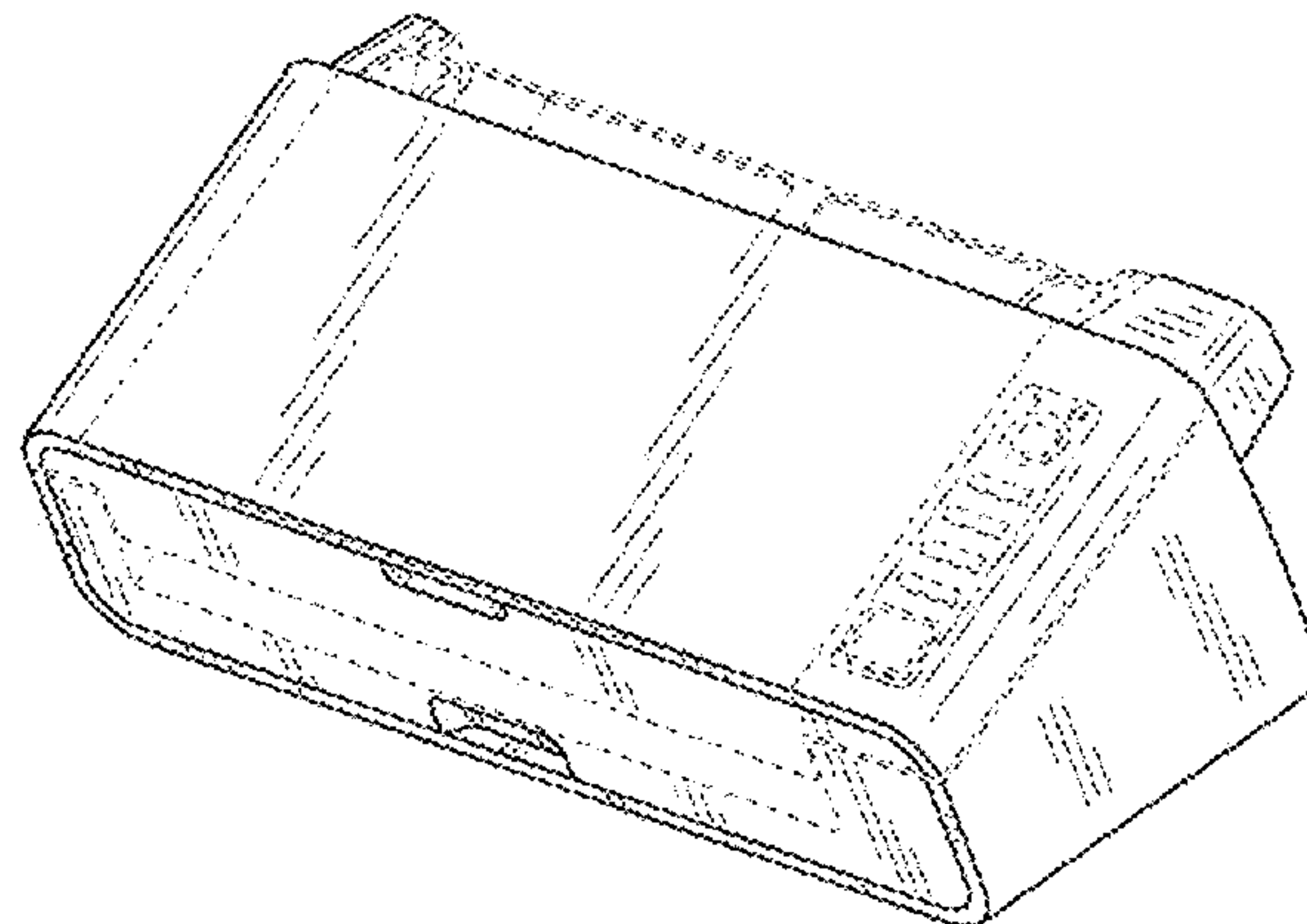
FIG. 6 is a top view thereof;

FIG. 7 is a rear view thereof; and,

FIG. 8 is a bottom view thereof.

Broken lines and unshaded portions contained within broken lines are not claimed. Dot-dash lines are used to indicate boundaries at which point claimed parameters of the design terminate.

1 Claim, 8 Drawing Sheets



(56)

References Cited

U.S. PATENT DOCUMENTS

- | | | | |
|-------------------|---------|------------------|----------|
| D390,258 S * | 2/1998 | Kawahara et al. | D18/55 |
| D399,524 S * | 10/1998 | Nakajima | D18/50 |
| D401,271 S * | 11/1998 | Nakajima | D18/55 |
| D414,508 S * | 9/1999 | Pangburn | D18/55 |
| D419,591 S * | 1/2000 | Pangburn | D18/55 |
| D422,570 S * | 4/2000 | Kobayashi | D14/509 |
| D424,099 S * | 5/2000 | Pangburn | D18/50 |
| D430,894 S * | 9/2000 | Inoue | D18/54 |
| D432,565 S * | 10/2000 | Gasset et al. | D18/55 |
| D433,443 S * | 11/2000 | Ito et al. | D18/55 |
| D435,266 S * | 12/2000 | Sekine et al. | D18/55 |
| D438,894 S * | 3/2001 | Bishop et al. | D18/55 |
| D438,895 S * | 3/2001 | Pangburn | D18/55 |
| D439,607 S * | 3/2001 | Inoue et al. | D18/54 |
| 6,231,043 B1 * | 5/2001 | James et al. | 271/209 |
| D443,878 S * | 6/2001 | Sakata et al. | D14/422 |
| D445,451 S * | 7/2001 | Clark et al. | D18/55 |
| D446,306 S * | 8/2001 | Ochi et al. | D24/186 |
| D452,706 S * | 1/2002 | Senshiki | D18/55 |
| D454,583 S * | 3/2002 | Whitby et al. | D18/50 |
| D460,479 S * | 7/2002 | Bishop et al. | D18/55 |
| D463,485 S * | 9/2002 | Yoshida et al. | D18/50 |
| D465,515 S * | 11/2002 | Hwang et al. | D18/55 |
| D466,552 S * | 12/2002 | Hwang et al. | D18/55 |
| D474,770 S * | 5/2003 | Chujou et al. | D14/425 |
| D475,052 S * | 5/2003 | Chujou et al. | D14/422 |
| 6,568,674 B2 * | 5/2003 | Matsuda | 271/274 |
| D478,119 S * | 8/2003 | Hwang et al. | D18/55 |
| D478,594 S * | 8/2003 | Ichiyoshi et al. | D14/422 |
| D483,059 S * | 12/2003 | Goh et al. | D18/50 |
| D483,060 S * | 12/2003 | Wong et al. | D18/50 |
| D483,061 S * | 12/2003 | Wong | D18/55 |
| 6,676,318 B2 * | 1/2004 | Hwang et al. | 400/693 |
| D486,178 S * | 2/2004 | Wong et al. | D18/55 |
| 6,707,584 B1 * | 3/2004 | Morita | 358/498 |
| D489,401 S * | 5/2004 | Senshiki et al. | D18/54 |
| D492,960 S * | 7/2004 | Takizawa | D18/54 |
| 6,786,665 B2 * | 9/2004 | Hwang et al. | 400/693 |
| D497,940 S * | 11/2004 | Hwang et al. | D18/50 |
| D498,786 S * | 11/2004 | Suzuki et al. | D18/55 |
| 6,848,685 B2 * | 2/2005 | Katsuyama | 271/162 |
| 6,899,474 B2 * | 5/2005 | Uchida et al. | 400/27 |
| D514,161 S * | 1/2006 | Wong et al. | D18/55 |
| 6,991,331 B2 * | 1/2006 | Kagami et al. | 347/108 |
| 7,029,113 B2 * | 4/2006 | Hwang | 347/108 |
| D523,469 S * | 6/2006 | Hwang et al. | D18/50 |
| D524,851 S * | 7/2006 | Wong et al. | D18/55 |
| 7,134,259 B2 * | 11/2006 | Huang | 53/512 |
| D534,204 S * | 12/2006 | Workman et al. | D18/34.3 |
| D536,731 S * | 2/2007 | Tate et al. | D18/50 |
| D543,583 S * | 5/2007 | Workman et al. | D18/34.3 |
| D549,705 S * | 8/2007 | Sugitani et al. | D14/422 |
| D571,370 S * | 6/2008 | Sugitani et al. | |
| D583,060 S * | 12/2008 | Kitamura et al. | D24/165 |
| D609,711 S * | 2/2010 | Kuroda et al. | D14/453 |
| D610,146 S * | 2/2010 | Kuroda et al. | D14/422 |
| D610,147 S * | 2/2010 | Kuroda et al. | D14/422 |
| D610,148 S * | 2/2010 | Kuroda et al. | D14/422 |
| D610,149 S * | 2/2010 | Kuroda et al. | D14/422 |
| D610,152 S * | 2/2010 | Kuroda et al. | D14/453 |
| D610,153 S * | 2/2010 | Kuroda et al. | D14/453 |
| D610,154 S * | 2/2010 | Kuroda et al. | D14/453 |
| D610,155 S * | 2/2010 | Kuroda et al. | D14/453 |
| D616,889 S * | 6/2010 | Kuroda et al. | D14/422 |
| D624,546 S * | 9/2010 | Kuroda et al. | D14/422 |
| D632,295 S * | 2/2011 | Kuroda | |
| D642,179 S * | 7/2011 | Kuroda et al. | |
| 8,169,669 B2 * | 5/2012 | Yoshida et al. | 358/471 |
| D669,080 S * | 10/2012 | Iwai et al. | D14/422 |
| D669,081 S * | 10/2012 | Iwai et al. | D14/422 |
| D669,526 S * | 10/2012 | Sakurai | D18/50 |
| D680,157 S * | 4/2013 | Umezawa et al. | D18/34.3 |
| D682,328 S * | 5/2013 | Day et al. | D15/146 |
| D682,329 S * | 5/2013 | Day et al. | D15/146 |
| D687,436 S * | 8/2013 | Penke et al. | D14/422 |
| D694,792 S * | 12/2013 | Day et al. | D15/146 |
| D694,793 S * | 12/2013 | Cumming et al. | D15/146 |
| D694,794 S * | 12/2013 | Cumming | D15/146 |
| D699,726 S * | 2/2014 | Seki et al. | D14/422 |
| D700,908 S * | 3/2014 | Taniho et al. | D14/422 |
| 2003/0030712 A1 * | 2/2003 | Kawaguchi et al. | 347/104 |
| 2003/0110741 A1 * | 6/2003 | Wang | 53/512 |
| 2003/0206762 A1 * | 11/2003 | Hwang et al. | 400/693 |
| 2005/0050856 A1 * | 3/2005 | Baptista | 53/434 |
| 2010/0060948 A1 * | 3/2010 | Yoshida et al. | 358/474 |

* cited by examiner

FIG. 1

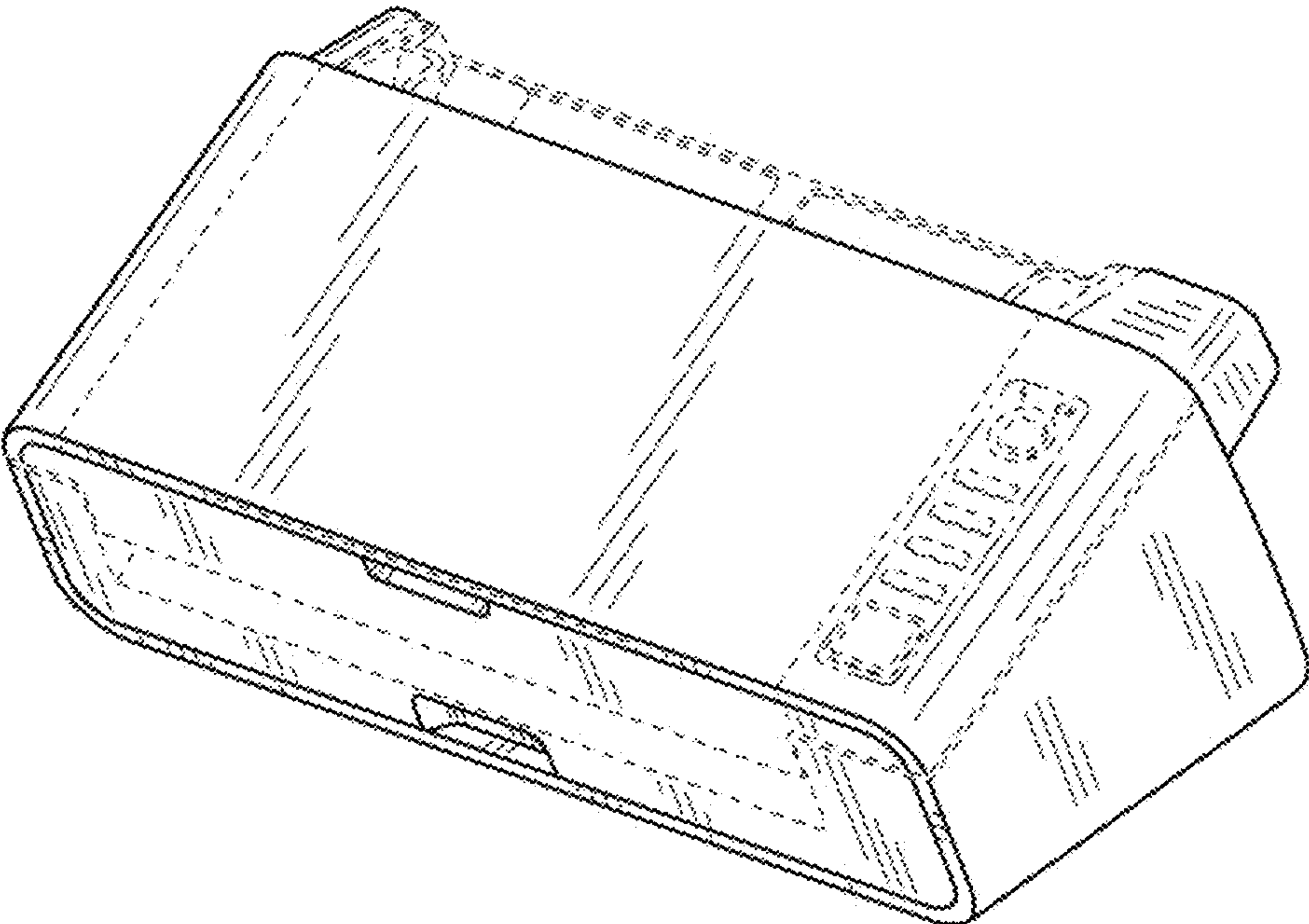


FIG. 2

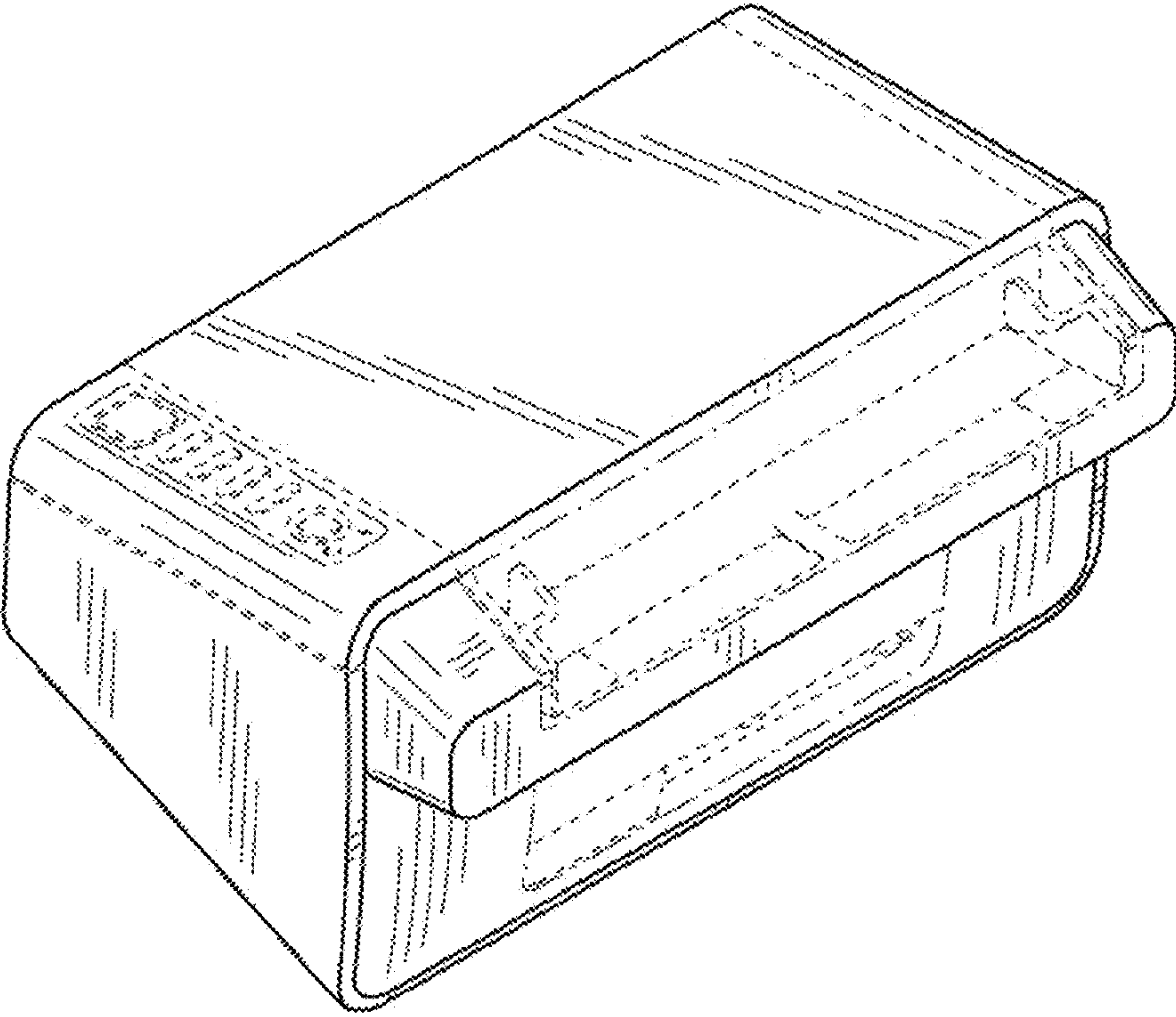


FIG. 3

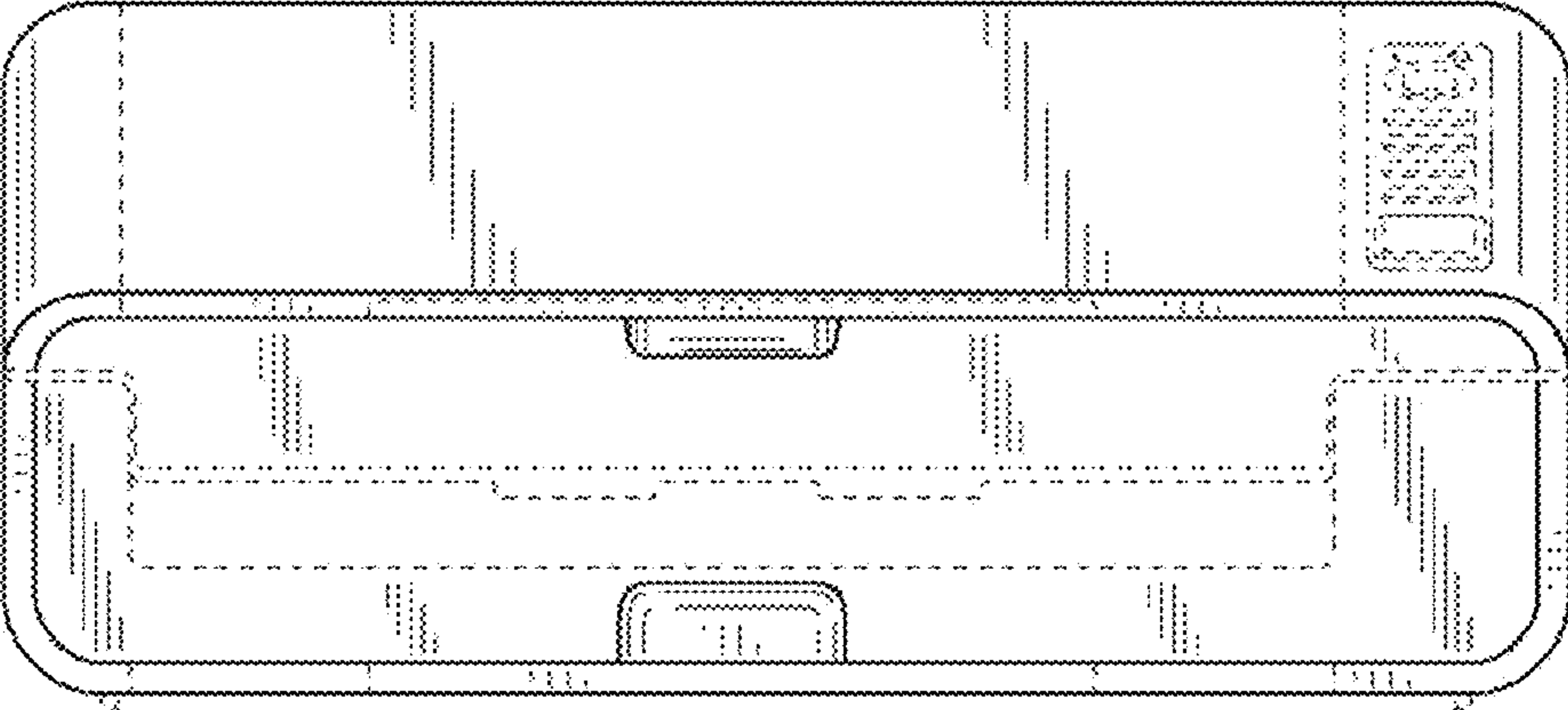


FIG. 4

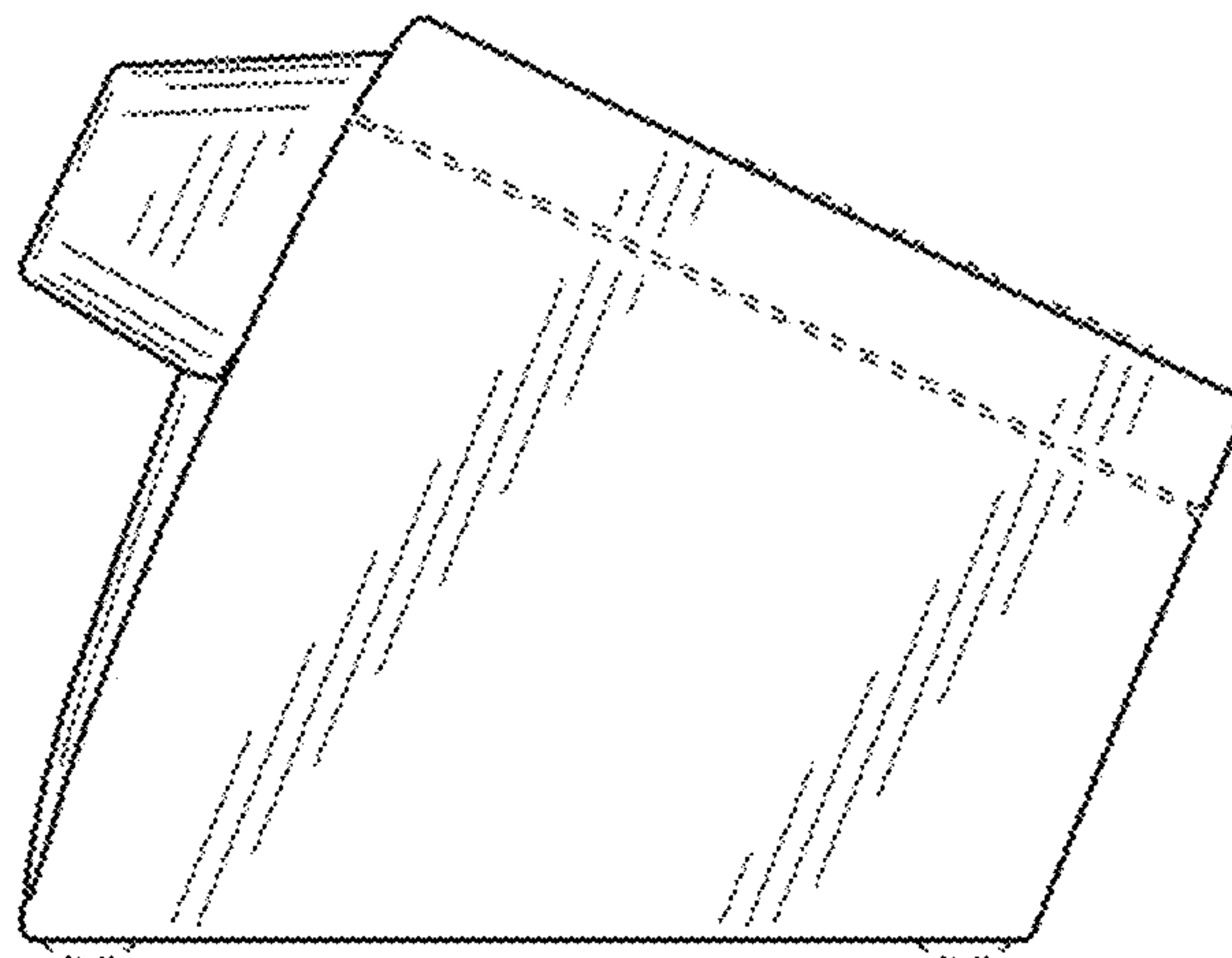


FIG. 5

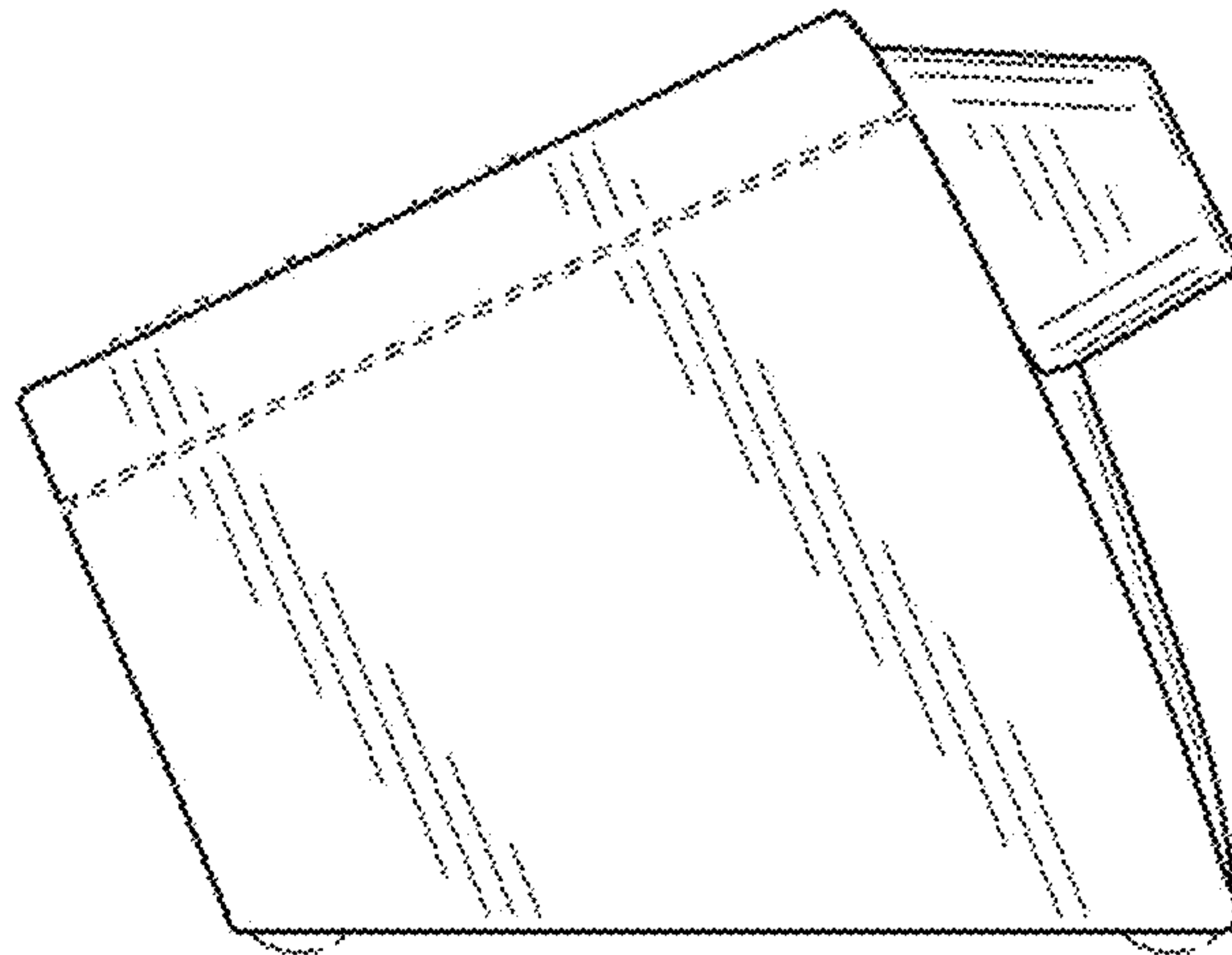


FIG. 6

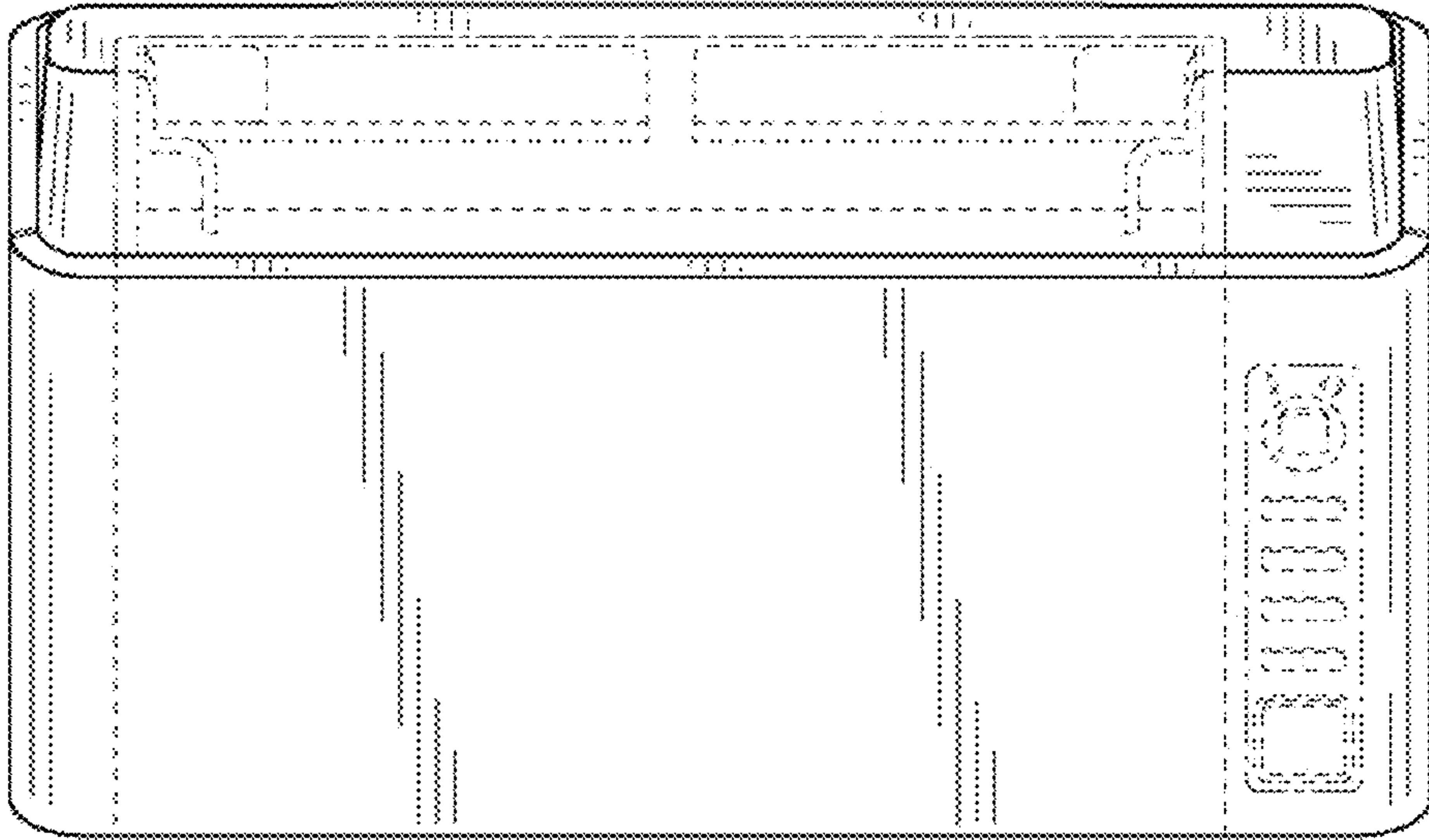


FIG. 7

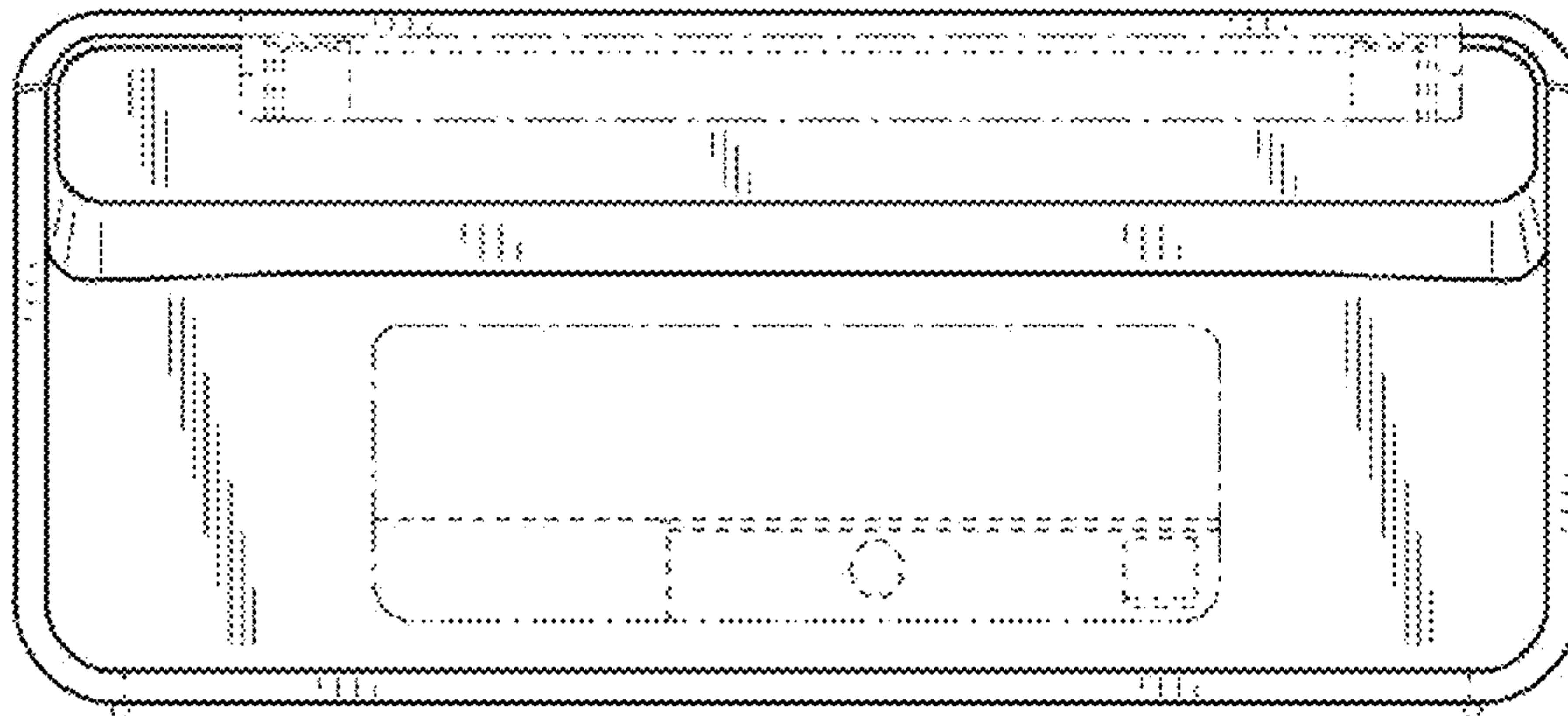


FIG. 8

