



US00D716302S

(12) **United States Design Patent**  
**Delgado**

(10) **Patent No.:** **US D716,302 S**  
(45) **Date of Patent:** **\*\* Oct. 28, 2014**

(54) **KEYBOARD WITH TOUCHPAD**  
(71) Applicant: **Ernesto I. Delgado**, Weatherford, OK  
(US)  
(72) Inventor: **Ernesto I. Delgado**, Weatherford, OK  
(US)  
(\*\*) Term: **14 Years**  
(21) Appl. No.: **29/446,638**  
(22) Filed: **Feb. 26, 2013**  
(51) **LOC (10) Cl.** ..... **14-02**  
(52) **U.S. Cl.**  
USPC ..... **D14/390**; D14/138 G  
(58) **Field of Classification Search**  
USPC ..... D14/388–390, 391, 399, 345, 341, 346,  
D14/138 G, 138 AD, 138 R, 138 AB, 496,  
D14/203.1, 203.4, 203.3, 203.7, 218, 130,  
D14/151, 150, 339, 340, 401, 400;  
455/575.1, 556.2, 575.3, 575.4;  
D21/517, 329, 330, 331; 361/679.3,  
361/679.56; D10/65, 78; D13/168;  
D12/188

See application file for complete search history.

(56) **References Cited**

U.S. PATENT DOCUMENTS

D304,920 S \* 12/1989 Schifrin ..... D12/188  
D330,023 S \* 10/1992 Kikuchi et al. .... D14/138 G  
5,681,220 A 10/1997 Bertram et al.  
6,297,945 B1 \* 10/2001 Yamamoto ..... 361/679.04  
6,341,227 B1 \* 1/2002 Moster et al. .... 455/550.1  
6,396,483 B1 5/2002 Hiller  
6,625,283 B1 \* 9/2003 Sato ..... 379/433.07  
D563,362 S \* 3/2008 LaDelfa ..... D14/138 C  
D566,706 S \* 4/2008 Andre et al. .... D14/341  
D567,819 S \* 4/2008 Devericks et al. .... D14/496  
D568,285 S \* 5/2008 Lee et al. .... D14/138 G  
D579,433 S \* 10/2008 Han et al. .... D14/138 AD  
7,492,893 B2 \* 2/2009 Ahn et al. .... 379/433.13  
D598,014 S \* 8/2009 Marsh et al. .... D14/341  
D604,261 S \* 11/2009 Tsai et al. .... D14/138 G

D615,949 S \* 5/2010 Kim ..... D14/138 G  
D619,991 S \* 7/2010 Huang ..... D14/138 G  
D639,782 S \* 6/2011 Kim ..... D14/218  
D687,033 S \* 7/2013 Andre et al. .... D14/341  
8,634,196 B2 \* 1/2014 Liu et al. .... 361/727  
8,730,159 B2 \* 5/2014 Norieda ..... 345/157  
2003/0020694 A1 \* 1/2003 Kim et al. .... 345/169  
2004/0041791 A1 3/2004 Dunker  
2004/0116158 A1 \* 6/2004 Rytivaara et al. .... 455/566

(Continued)

OTHER PUBLICATIONS

LG BL40 New Chocolate telephone, announced Aug. 2009, [online],  
[site visited May 29, 2014]. Available from Internet, <URL: [http://www.gsmarena.com/lg\\_bl40\\_new\\_chocolate-2916.php](http://www.gsmarena.com/lg_bl40_new_chocolate-2916.php)>.\*

(Continued)

*Primary Examiner* — Jeffrey D Asch  
(74) *Attorney, Agent, or Firm* — Robert C. Montgomery;  
Montgomery Patent & Design

(57) **CLAIM**

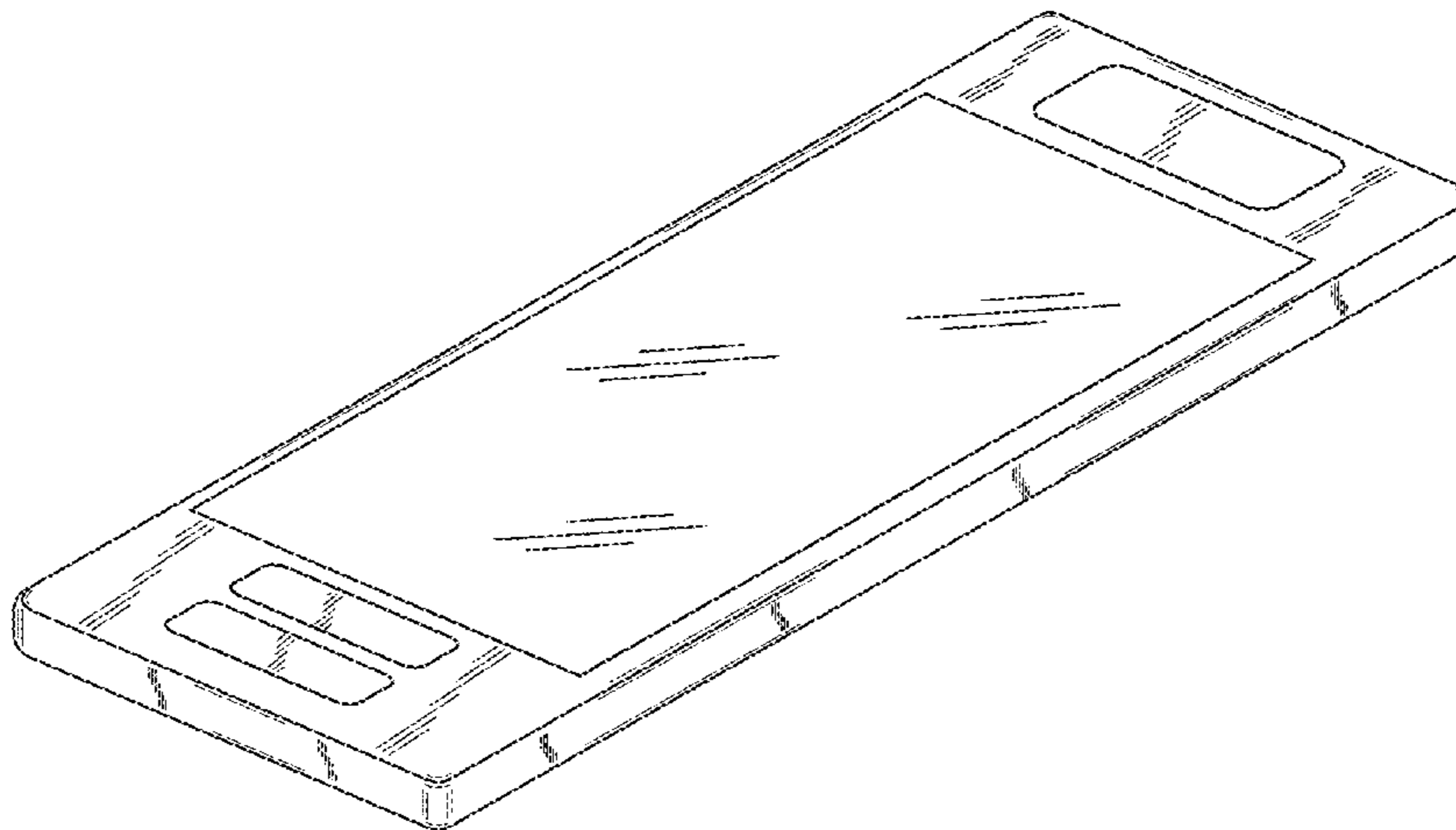
The ornamental design for a keyboard with a touchpad, as shown and described.

**DESCRIPTION**

FIG. 1 is a perspective view of a keyboard with a touchpad, showing my new design;  
FIG. 2 is a front view thereof;  
FIG. 3 is a rear view thereof;  
FIG. 4 is a left hand view thereof;  
FIG. 5 is a right hand view thereof;  
FIG. 6 is a top view thereof; and,  
FIG. 7 is a bottom view thereof.

The broken lines shown in the figures that are immediately adjacent to the shaded areas and define regions that are consistently unshaded, represent the bounds of the claim, while all other broken lines are directed to environment and are for illustrative purposes only; the broken lines form no part of the claimed design.

**1 Claim, 6 Drawing Sheets**



(56)

**References Cited**

U.S. PATENT DOCUMENTS

2007/0037618	A1 *	2/2007	Lee	455/575.4
2009/0213081	A1 *	8/2009	Case, Jr.	345/173
2010/0171712	A1 *	7/2010	Cieplinski et al.	345/173
2011/0199307	A1 *	8/2011	Dinh et al.	345/168
2013/0150128	A1 *	6/2013	Tsunoda	455/566
2013/0293493	A1 *	11/2013	Shen et al.	345/173
2014/0071056	A1 *	3/2014	Liu et al.	345/169

OTHER PUBLICATIONS

Logitech Wireless Touch Keyboard K400 with Built-In Multi-Touch Touchpad (920-003070). [http://www.amazon.com/Logitech-Wire-](http://www.amazon.com/Logitech-Wireless-Keyboards-Multi-Touch-920-003070/dp/B005DKZTMG)

less-Keyboards-Multi-Touch-920-003070/dp/B005DKZTMG Accessed Jul. 17, 2012.

Gear Head USB Smart Touch II Touchpad Keyboard (KB4700TP). <http://www.amazon.com/Gear-Head-Touchpad-Keyboard-KB4700TP/dp/B004KN7PZG> Accessed Jul. 17, 2012.

Perixx Periboard-716, Wireless Keyboard with Touchpad-2.4G-Up to 33 Ft Operating Range-128 Bit AES Encryption-Large 3.2" Touchpad-Multi Touch Feature with Windows 7-On/Off Switch-2xAA Duracell Batteries. <http://www.amazon.com/Perixx-PERIBOARD-716-Wireless-Keyboard-Touchpad/dp/B005G5Y9WY/> Accessed Jul. 17, 2012.

Azio KB336RP Long Range Wireless Keyboard with Touchpad (KB336RP). <http://www.amazon.com/KB336RP-Range-Wireless-Keyboard-Touchpad/dp/B004GX4F7Q> Accessed Jul. 17, 2012.

\* cited by examiner

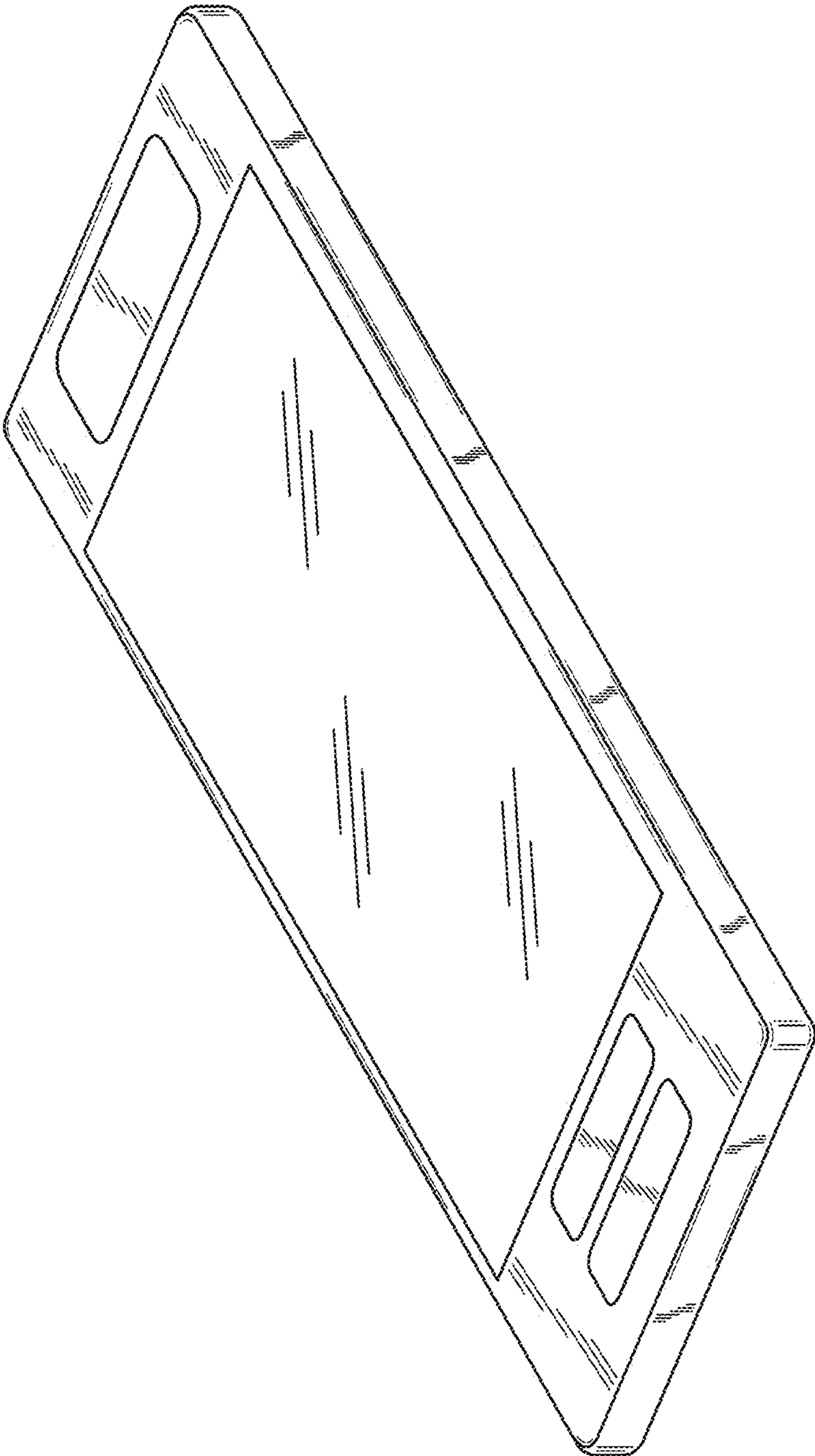


Fig. 1



Fig. 2



Fig. 3

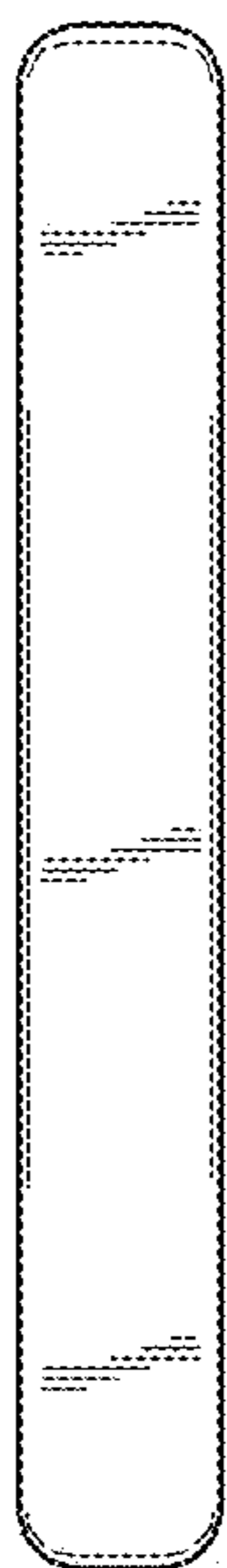


Fig. 4

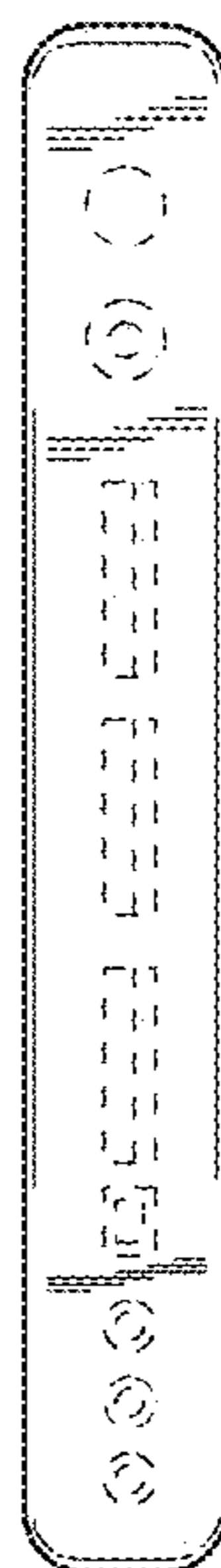


Fig. 5

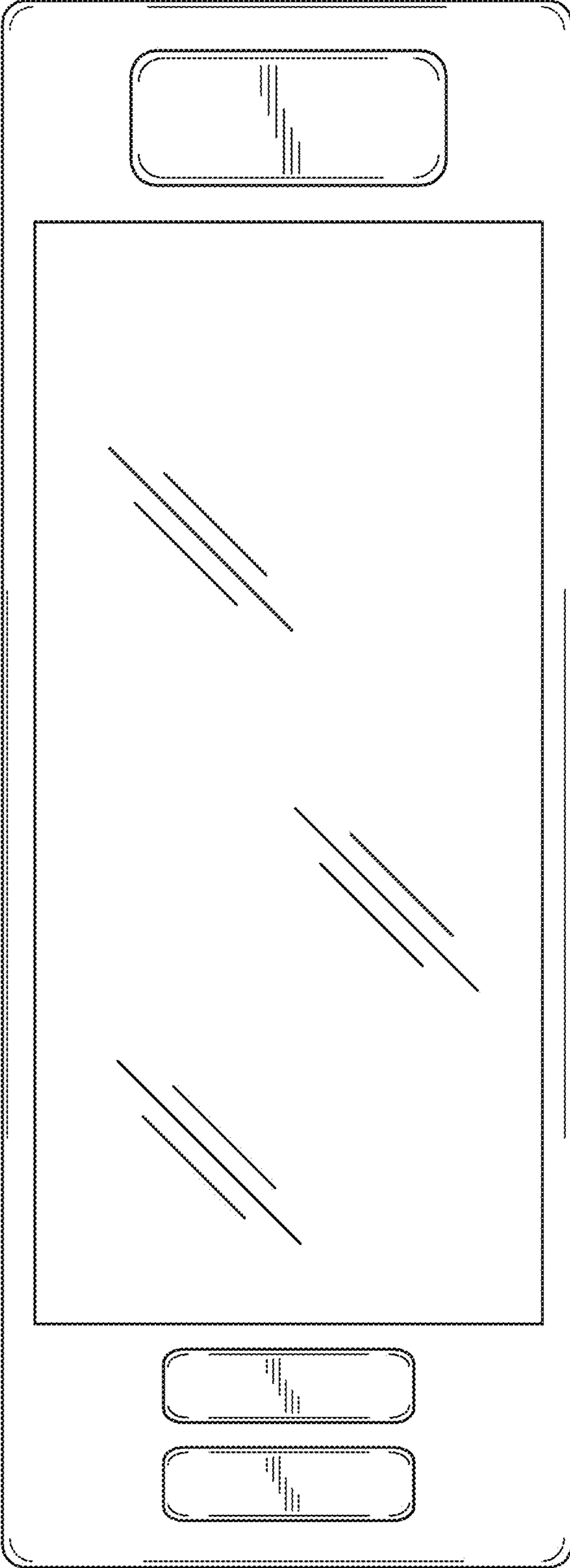


Fig. 6

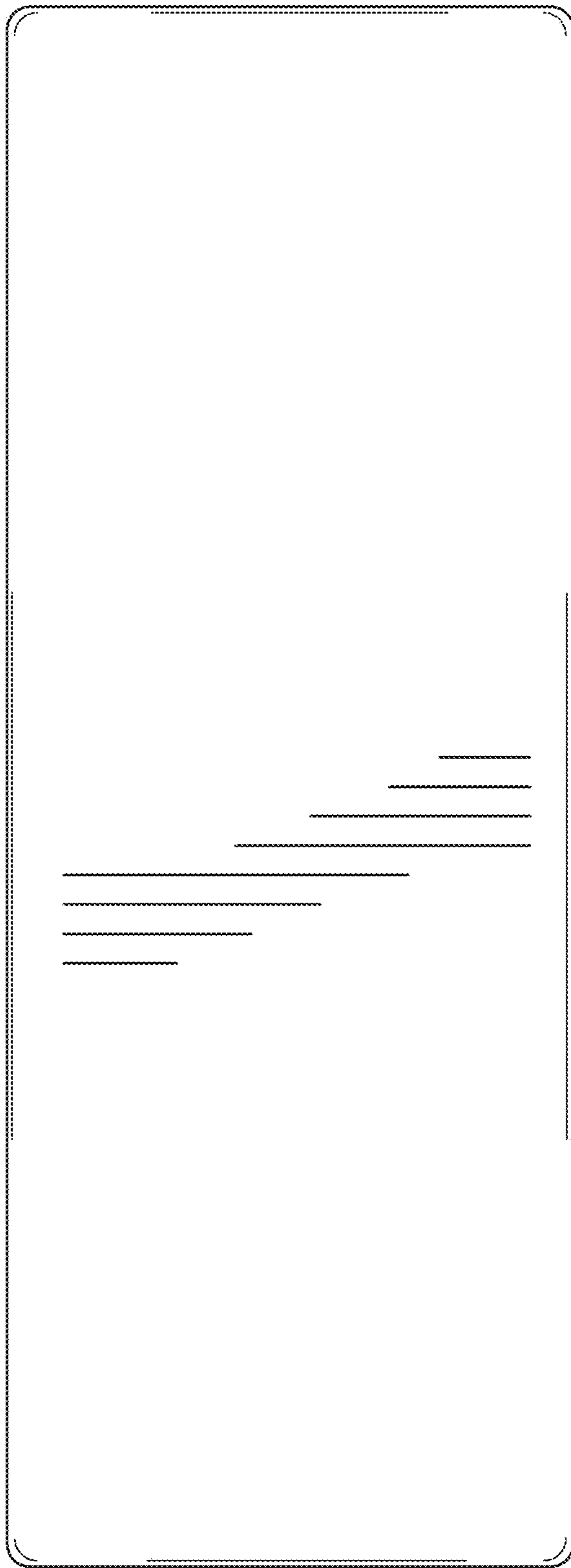


Fig. 7