



US00D716300S

(12) **United States Design Patent**  
**Cruz et al.**

(10) **Patent No.:** **US D716,300 S**  
(45) **Date of Patent:** **\*\* Oct. 28, 2014**

(54) **SECURE TABLET KIOSK ENCLOSURE**

(71) Applicants: **Michael Cruz**, Homestead, FL (US);  
**Frank E. Puerta**, Miami, FL (US)

(72) Inventors: **Michael Cruz**, Homestead, FL (US);  
**Frank E. Puerta**, Miami, FL (US)

(\*\*) Term: **14 Years**

(21) Appl. No.: **29/481,363**

(22) Filed: **Feb. 5, 2014**

(51) **LOC (10) Cl.** ..... **14-02**

(52) **U.S. Cl.**  
USPC ..... **D14/385**

(58) **Field of Classification Search**  
USPC ..... D18/3.1-4.6, 6-8, 11, 12, 12.1-12.3;  
D14/371, 373-376, 382, 385-387, 394,  
D14/399; D21/324, 329, 332, 333; D99/28,  
D99/34-36, 43; 235/375, 380, 439, 441,  
235/451, 492; 361/600, 679.01, 679.02,  
361/679.31

See application file for complete search history.

(56) **References Cited**

**U.S. PATENT DOCUMENTS**

D448,009 S	*	9/2001	Lavelle et al.	.....	D14/125
D582,916 S	*	12/2008	Wada	.....	D14/371
D582,917 S	*	12/2008	Wada	.....	D14/371
D589,510 S	*	3/2009	Wada	.....	D14/371
D595,252 S	*	6/2009	Schuler Thorne et al.	...	D14/129
D608,781 S	*	1/2010	Wada	.....	D14/371

D681,639 S	*	5/2013	Cruz et al.	.....	D14/385
D689,856 S	*	9/2013	Shen	.....	D14/341
D698,384 S	*	1/2014	Cruz	.....	D18/4.4
D700,602 S	*	3/2014	Chen et al.	.....	D14/336
D704,255 S	*	5/2014	Schwarzkopf et al.	.....	D18/4.4
D707,676 S	*	6/2014	Azuma	.....	D14/385
D707,677 S	*	6/2014	Azuma	.....	D14/385
D707,678 S	*	6/2014	Azuma	.....	D14/385
D709,069 S	*	7/2014	Cruz et al.	.....	D14/385

\* cited by examiner

*Primary Examiner* — Eric Goodman

*Assistant Examiner* — Amy Wierenga

(74) *Attorney, Agent, or Firm* — Albert Bordas, P.A.

(57) **CLAIM**

The ornamental design for a secure tablet kiosk enclosure, as shown and described.

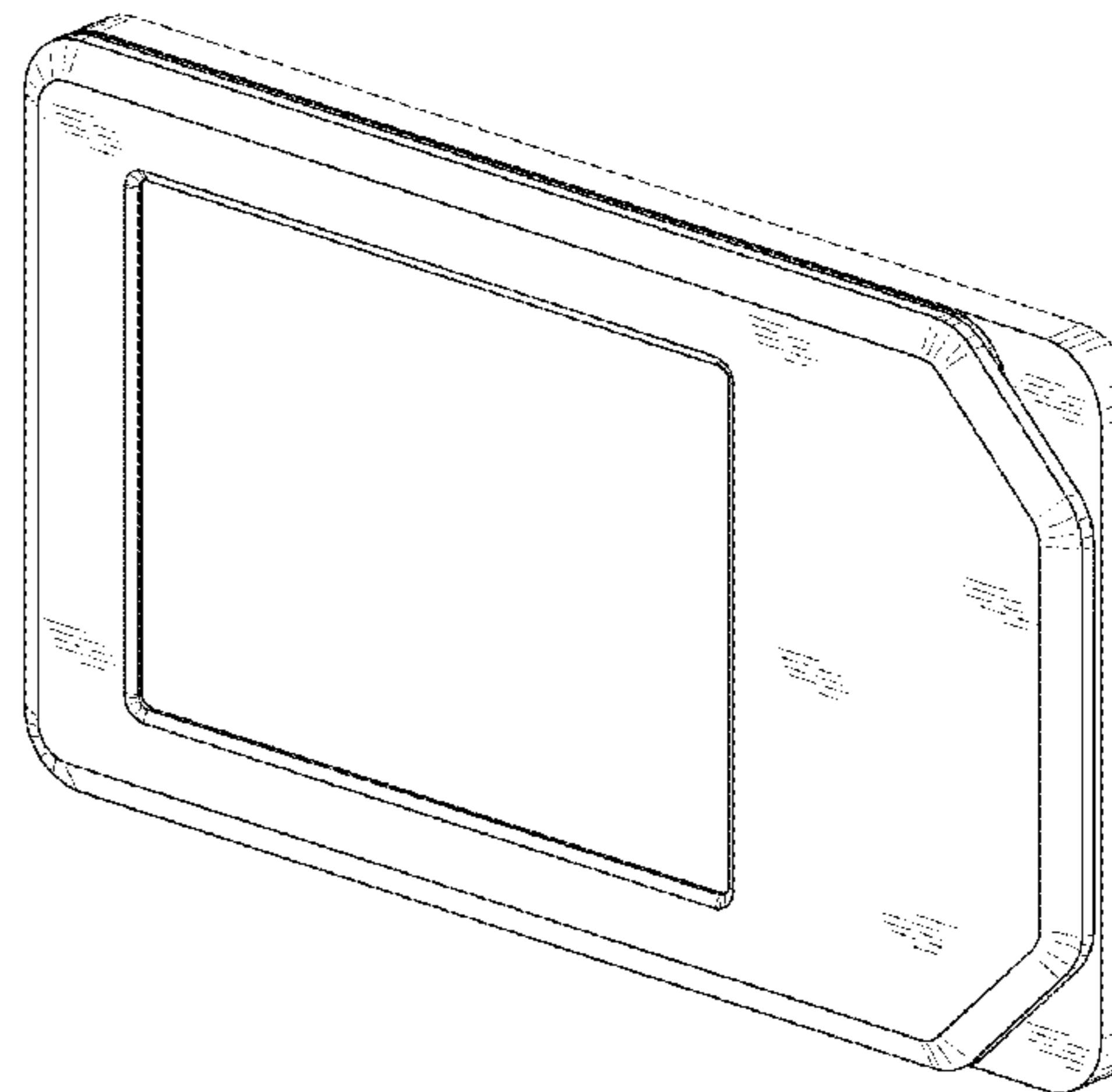
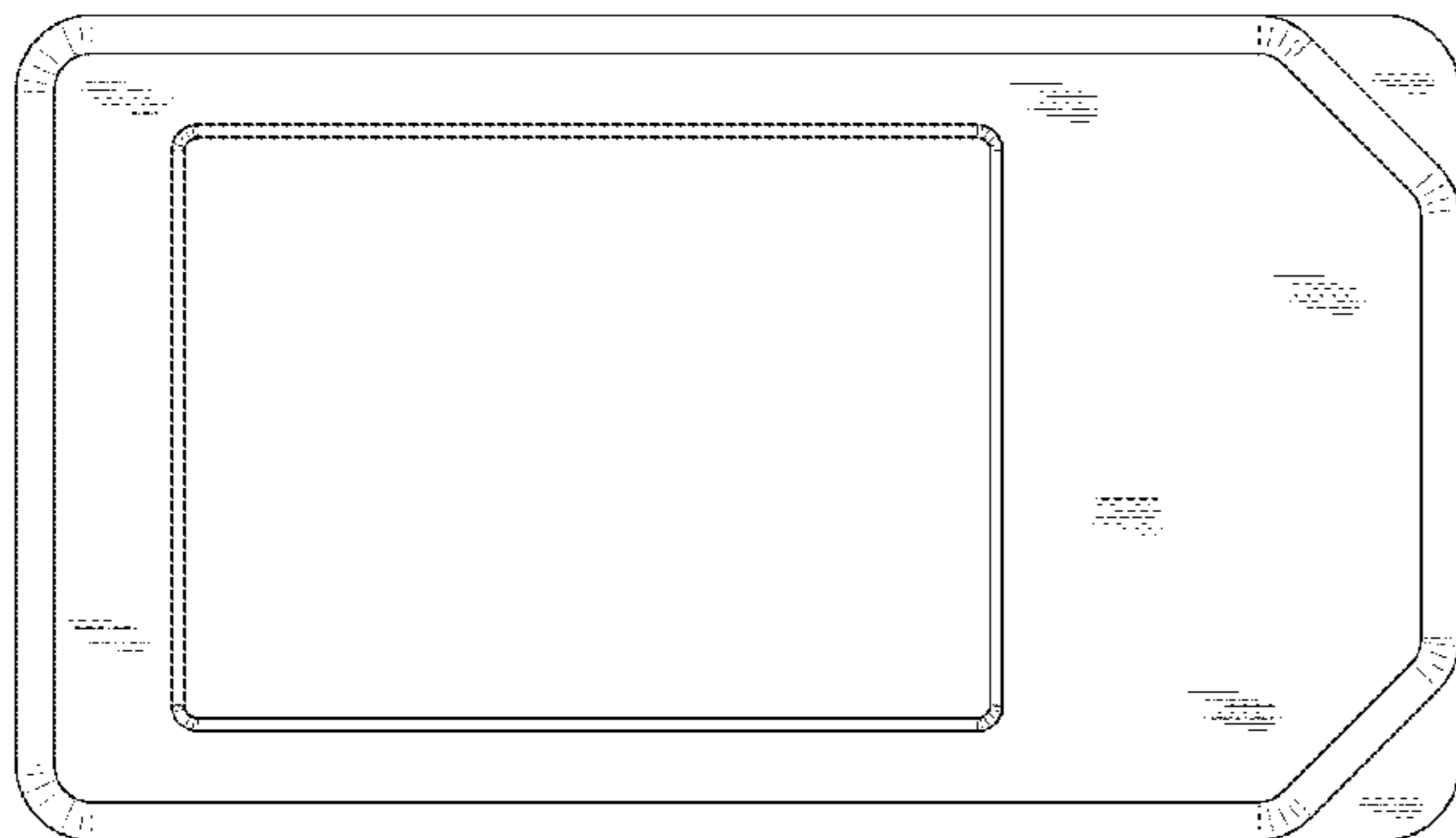
**DESCRIPTION**

FIG. 1 is a top plan view of a secure tablet kiosk enclosure; FIG. 2 is a front elevational view thereof; FIG. 3 is a bottom view thereof; FIG. 4 is a left elevational view thereof; FIG. 5 is a rear elevational view thereof; FIG. 6 is a right elevational view thereof; FIG. 7 is a front isometric view thereof; and, FIG. 8 is a rear isometric view thereof.

The broken lines are for environmental purposes only and form no part of the claimed design.

The present secure tablet kiosk enclosure is used to process credit cards.

**1 Claim, 3 Drawing Sheets**



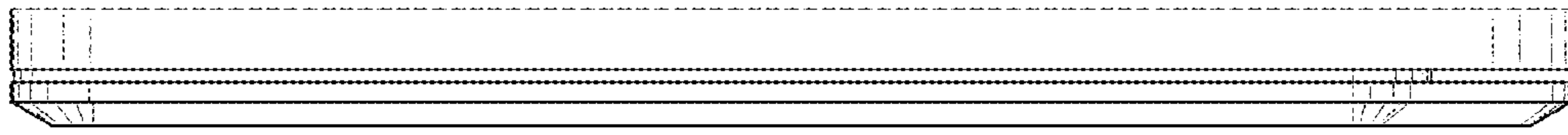


Fig. 1

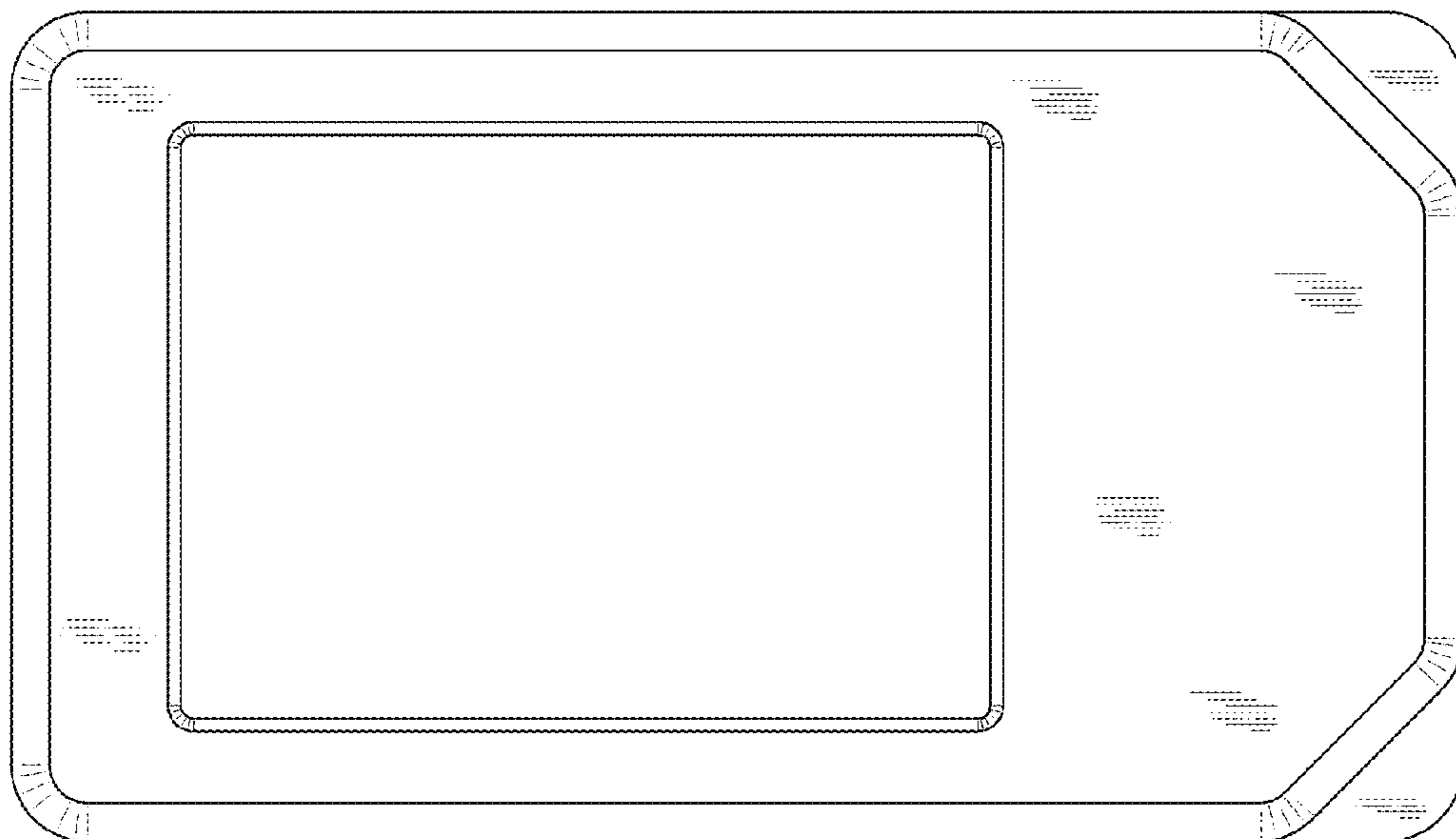


Fig. 2



Fig. 3

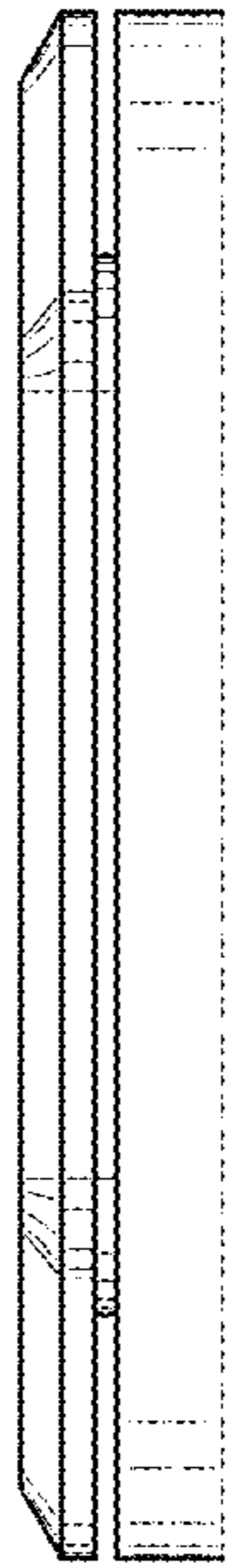


Fig. 4

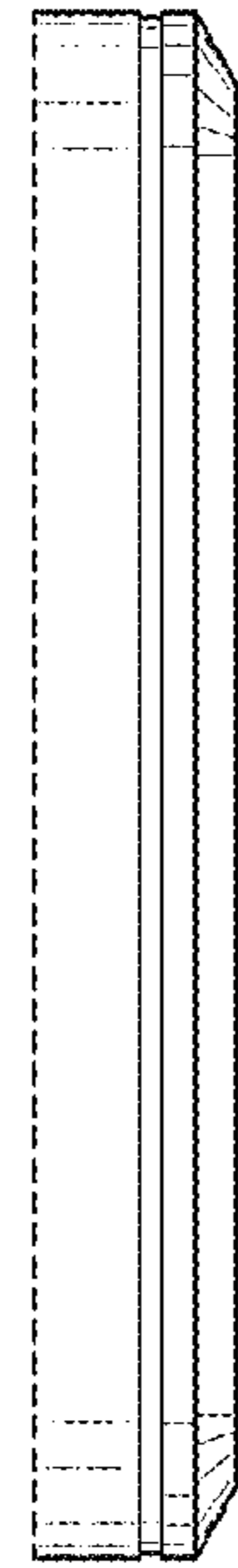


Fig. 6



Fig. 5

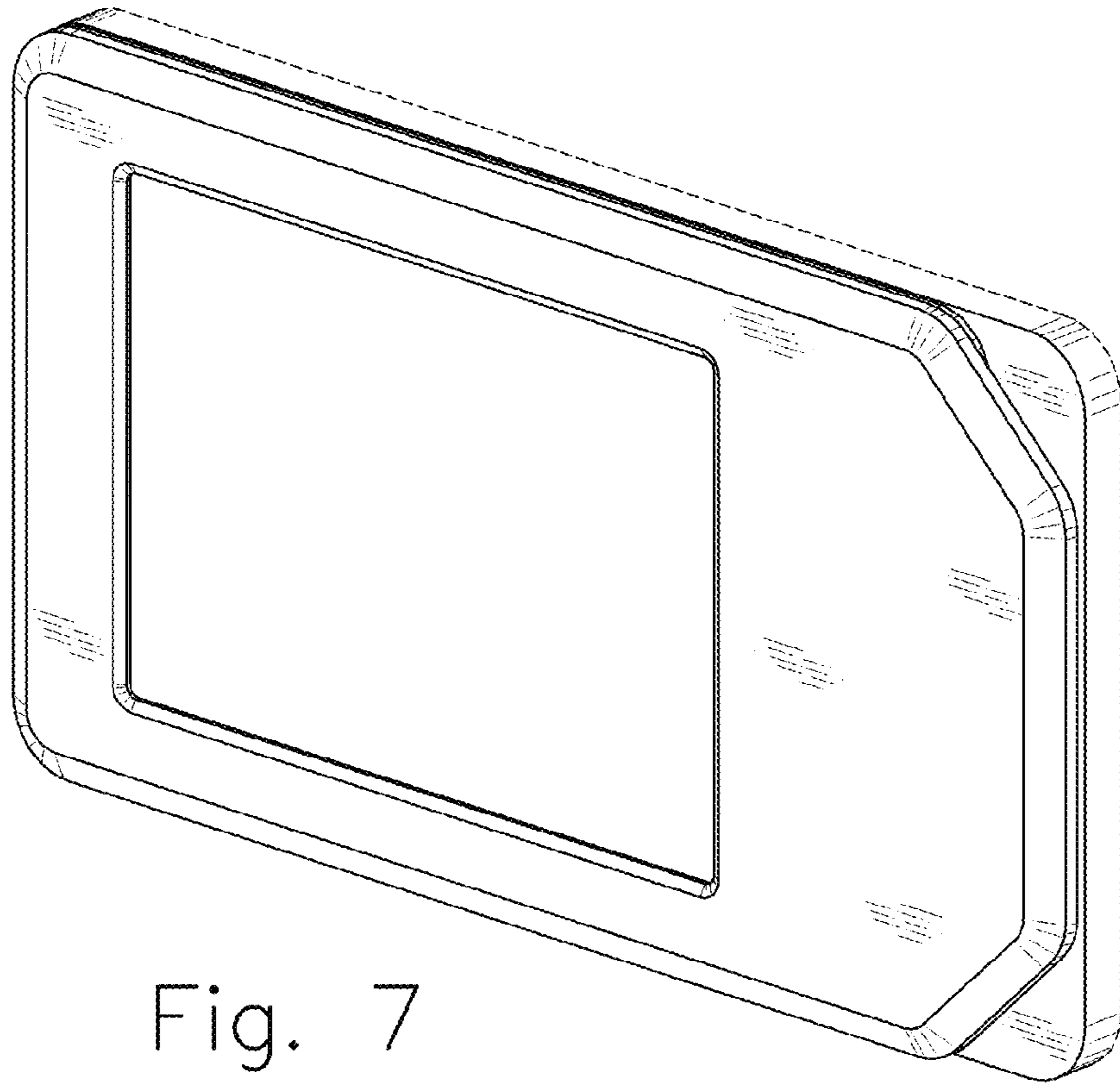


Fig. 7

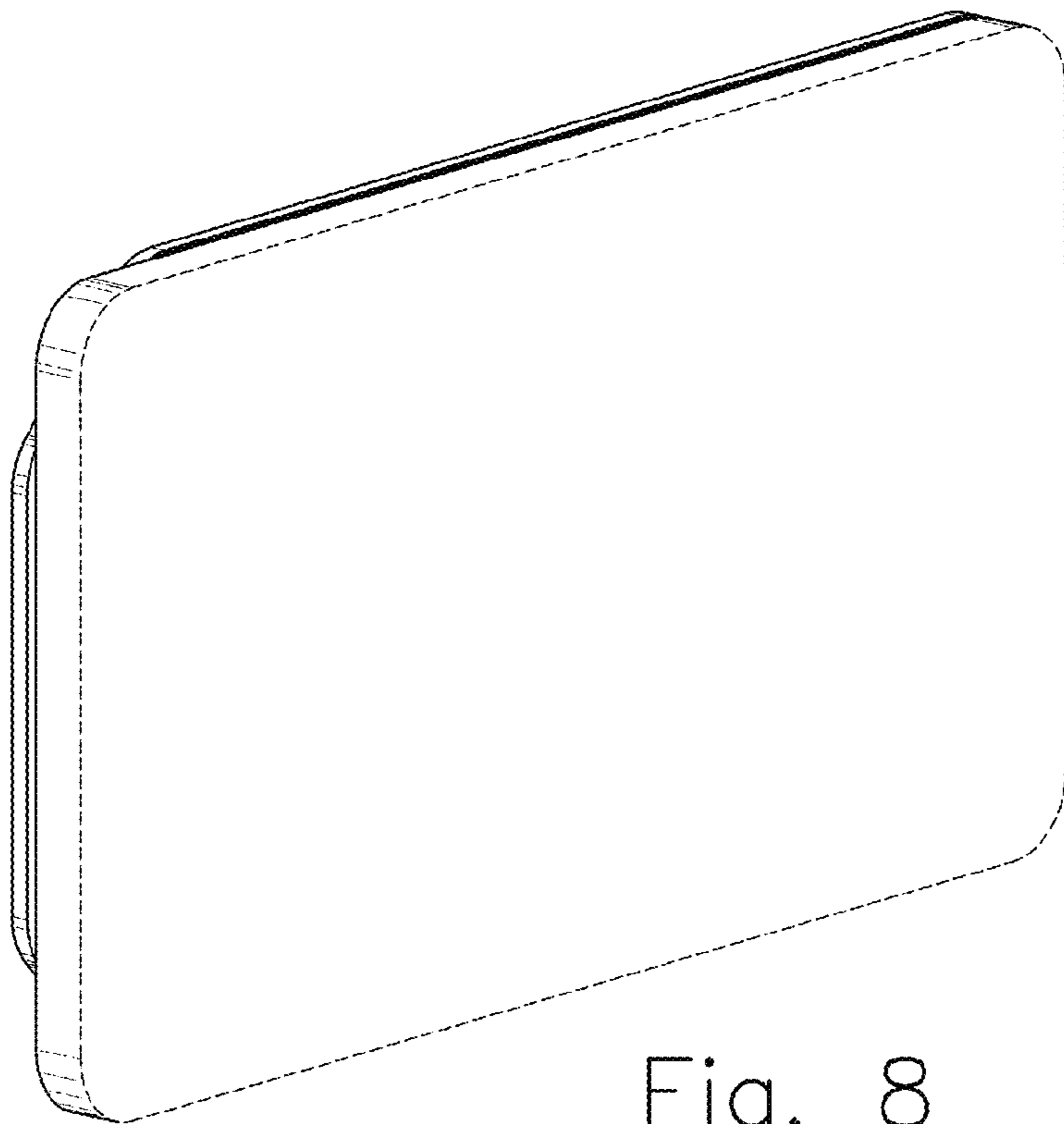


Fig. 8