



US00D716297S

(12) **United States Design Patent**
ZhenHua et al.

(10) **Patent No.:** **US D716,297 S**

(45) **Date of Patent:** **** Oct. 28, 2014**

(54) **ELECTRONIC DEVICE**

349/62; 361/679.01, 679.05–679.07,
361/679.21; D6/300, 308

(71) Applicants: **Zhu ZhenHua**, Changzhou (CN); **Qian XuYing**, Changzhou (CN); **Yuan HuaJie**, Changzhou (CN)

See application file for complete search history.

(72) Inventors: **Zhu ZhenHua**, Changzhou (CN); **Qian XuYing**, Changzhou (CN); **Yuan HuaJie**, Changzhou (CN)

(56) **References Cited**

U.S. PATENT DOCUMENTS

(73) Assignees: **Mettler Toledo (Changzhou) Measurement Technology Ltd.** (CN); **Mettler Toledo (Changzhou) Precision Instrument Ltd.** (CN); **Mettler Toledo (Changzhou) Scale & System Ltd.** (CN)

D504,426	S	*	4/2005	Shoda et al.	D14/336
D541,278	S	*	4/2007	Hsu et al.	D14/375
D570,345	S	*	6/2008	Lee et al.	D14/336
D647,898	S	*	11/2011	Haller et al.	D14/336
8,373,976	B2	*	2/2013	Titzler et al.	361/679.05
2009/0168336	A1	*	7/2009	Yokote et al.	361/679.55

* cited by examiner

Primary Examiner — Freda S Nunn

(**) Term: **14 Years**

(74) *Attorney, Agent, or Firm* — St. Onge Steward Johnston & Reens LLC

(21) Appl. No.: **29/452,815**

(57) **CLAIM**

The ornamental design for an electronic device, as shown and described.

(22) Filed: **Apr. 22, 2013**

DESCRIPTION

(30) **Foreign Application Priority Data**

Oct. 22, 2012 (CN) 2012 3 0504280

FIG. 1 is a front elevational view of an electronic device showing our new design;

(51) **LOC (10) Cl.** **14-02**

FIG. 2 is a rear elevational view thereof;

(52) **U.S. Cl.**
USPC **D14/371**

FIG. 3 is a right side elevational view thereof;

(58) **Field of Classification Search**
CPC G06F 3/037
USPC D14/371–375, 125–129, 336, 337;
341/12; 345/104, 156, 168, 173;
348/180, 184, 325, 739; 349/1, 2, 11,

FIG. 4 is a left side elevational view thereof;

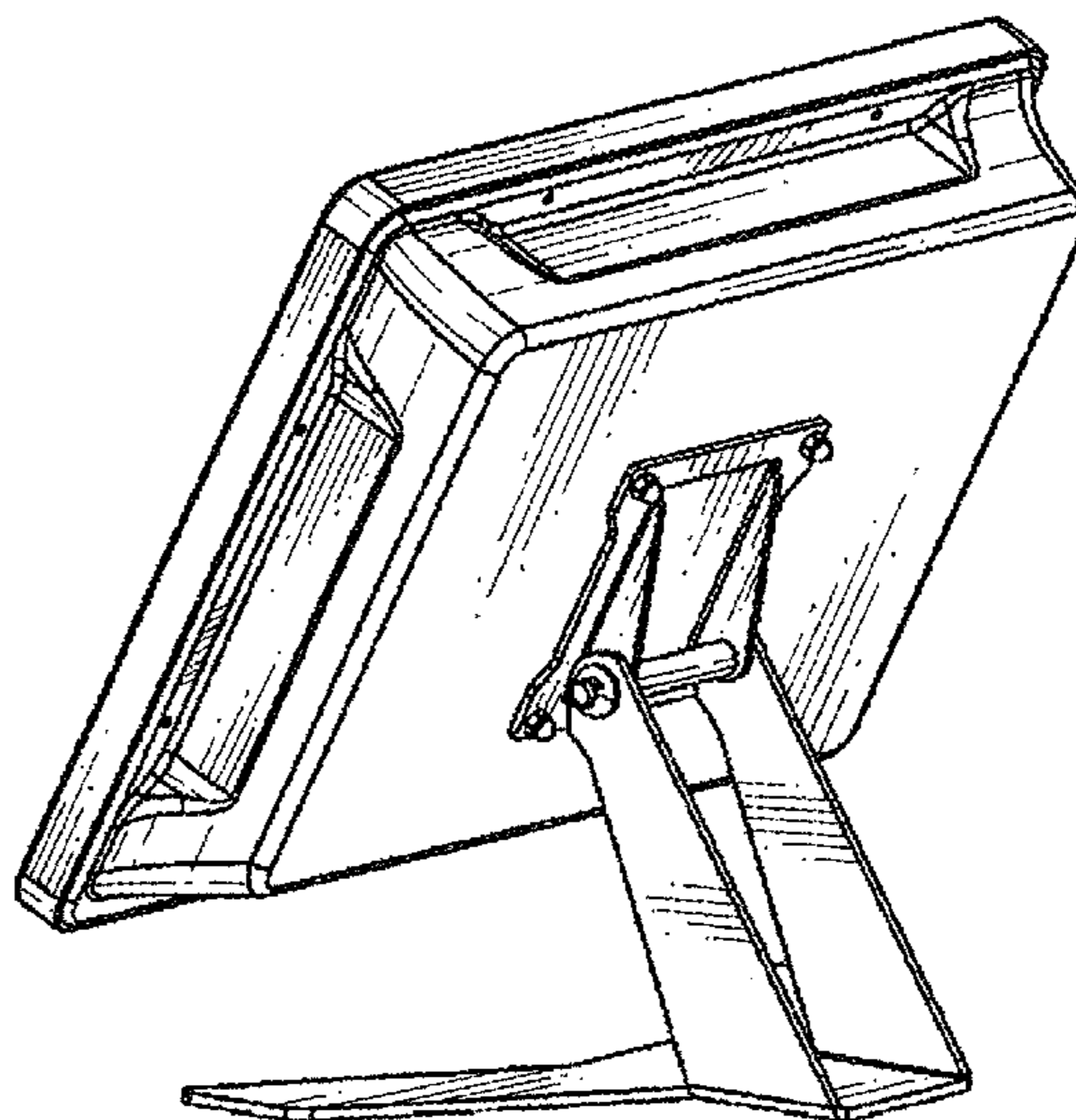
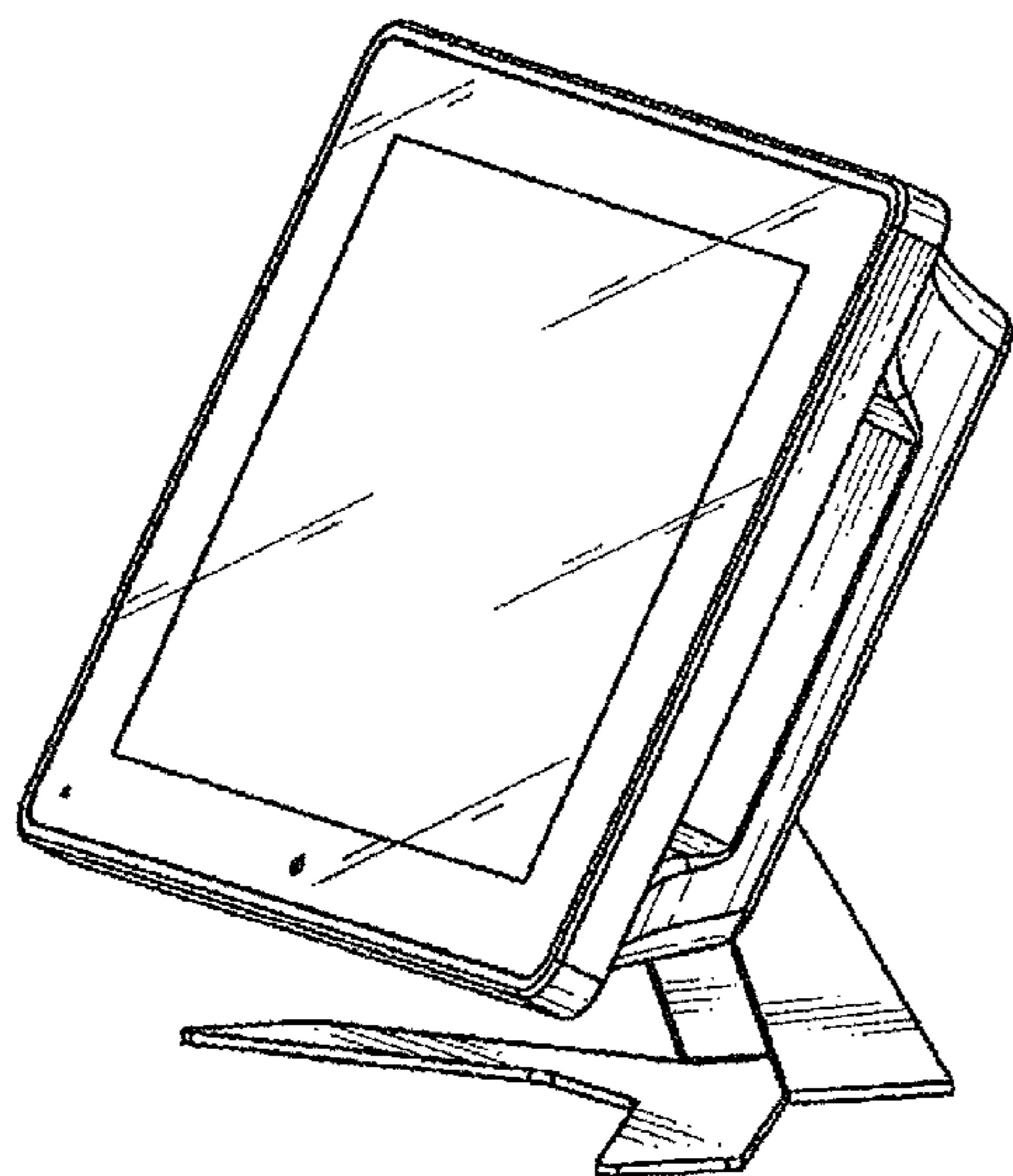
FIG. 5 is a top plan view thereof;

FIG. 6 is a bottom plan view thereof;

FIG. 7 is a front isometric view thereof; and,

FIG. 8 is a rear isometric view thereof.

1 Claim, 8 Drawing Sheets



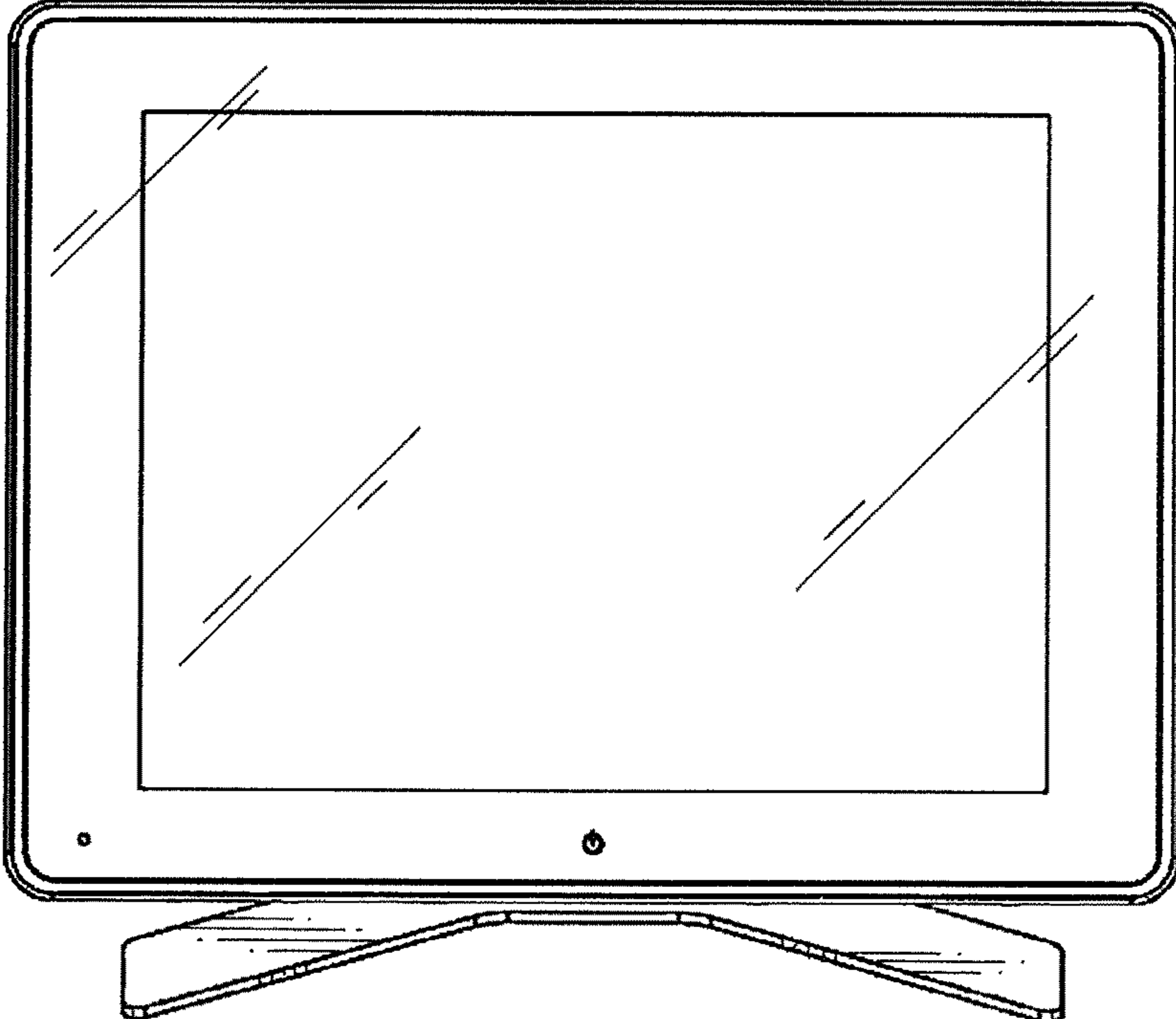


FIG. 1

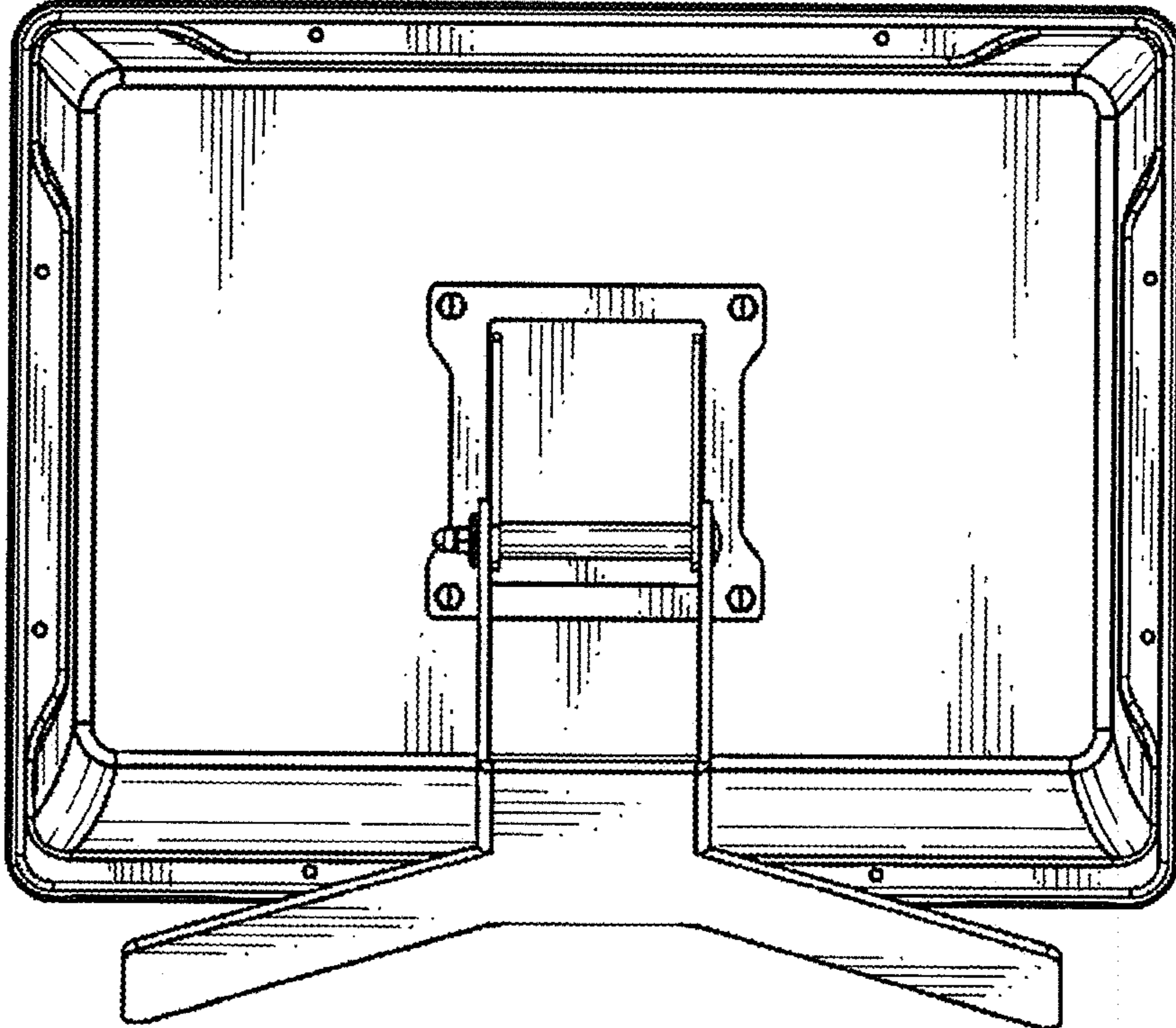


FIG. 2

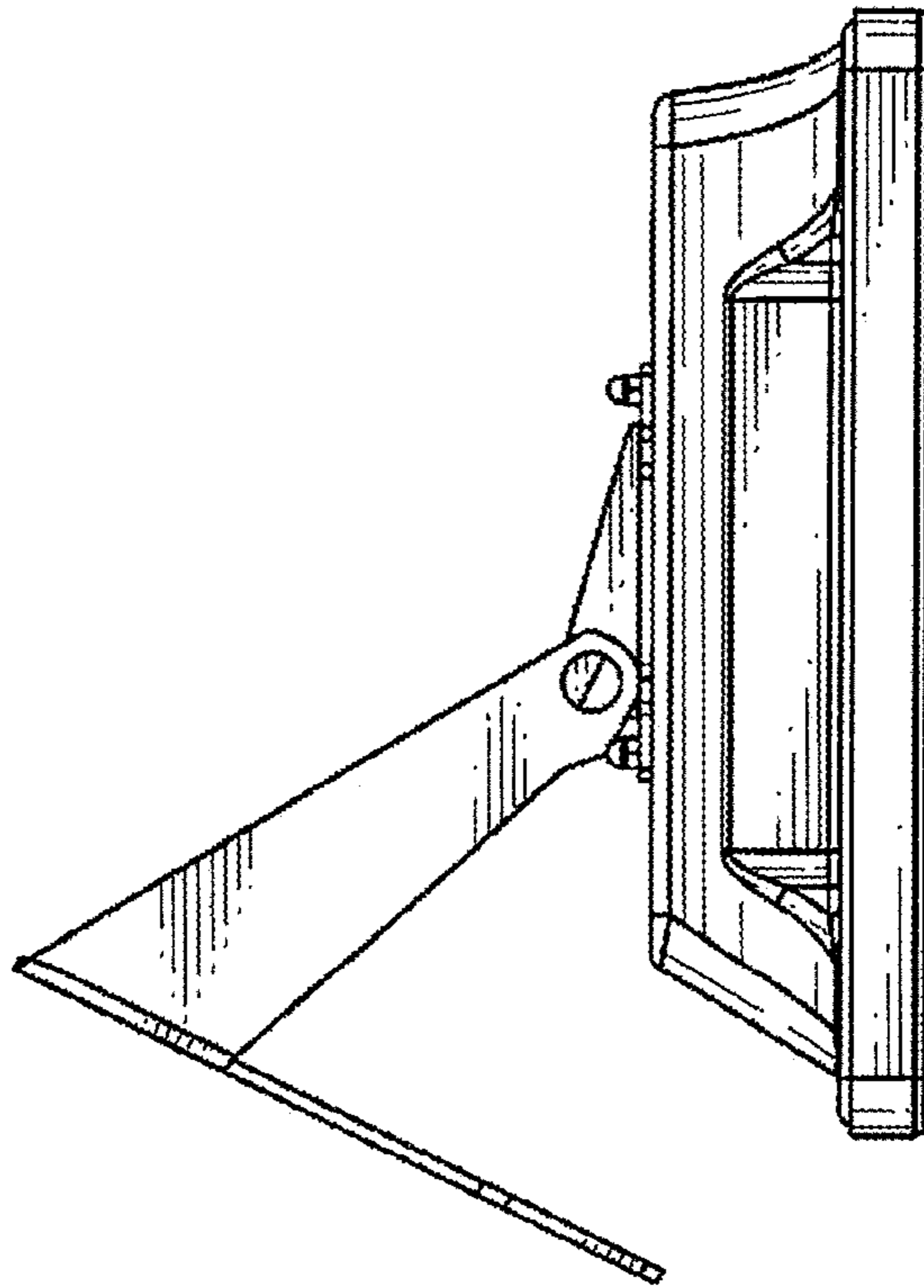


FIG. 3

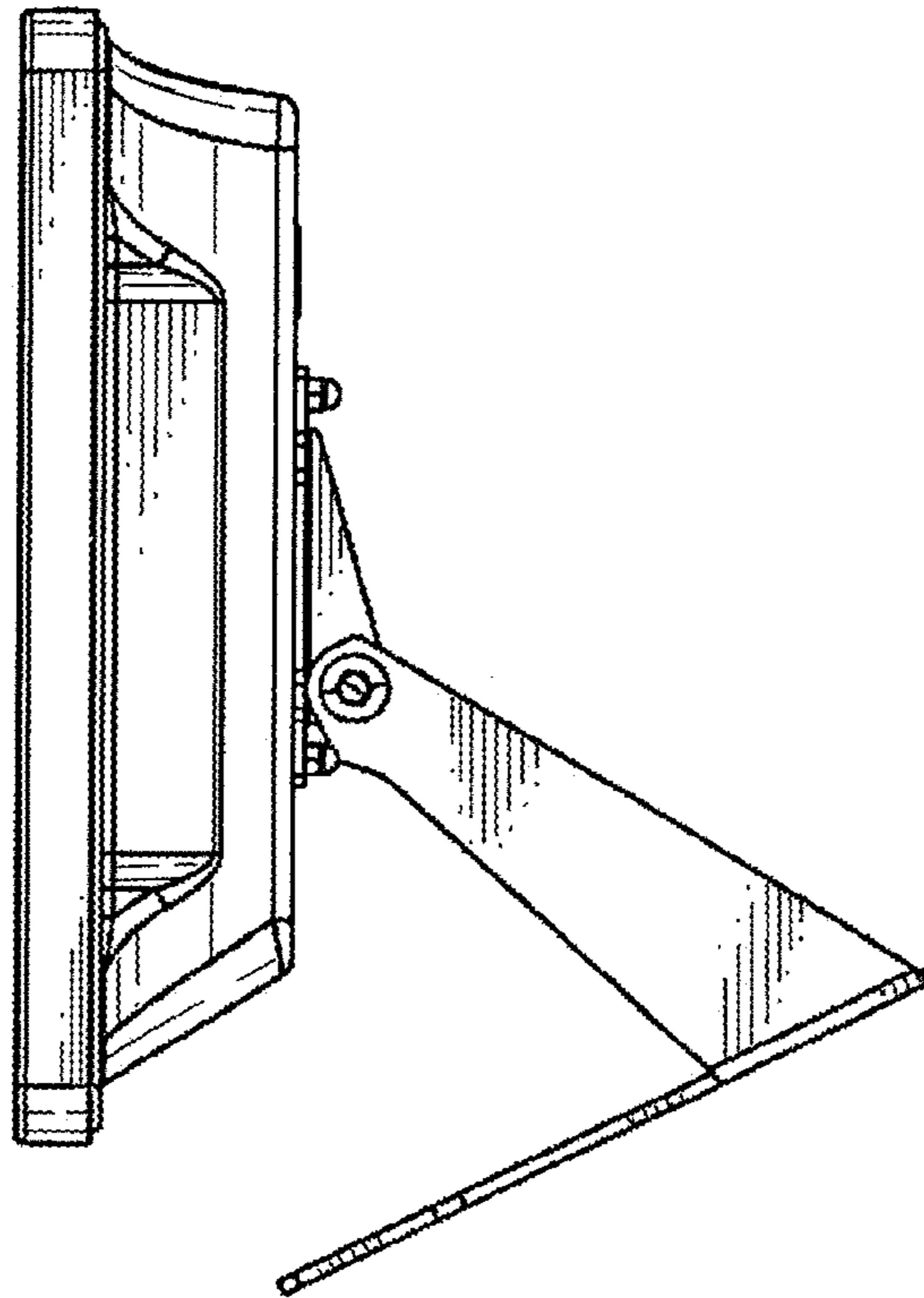


FIG. 4

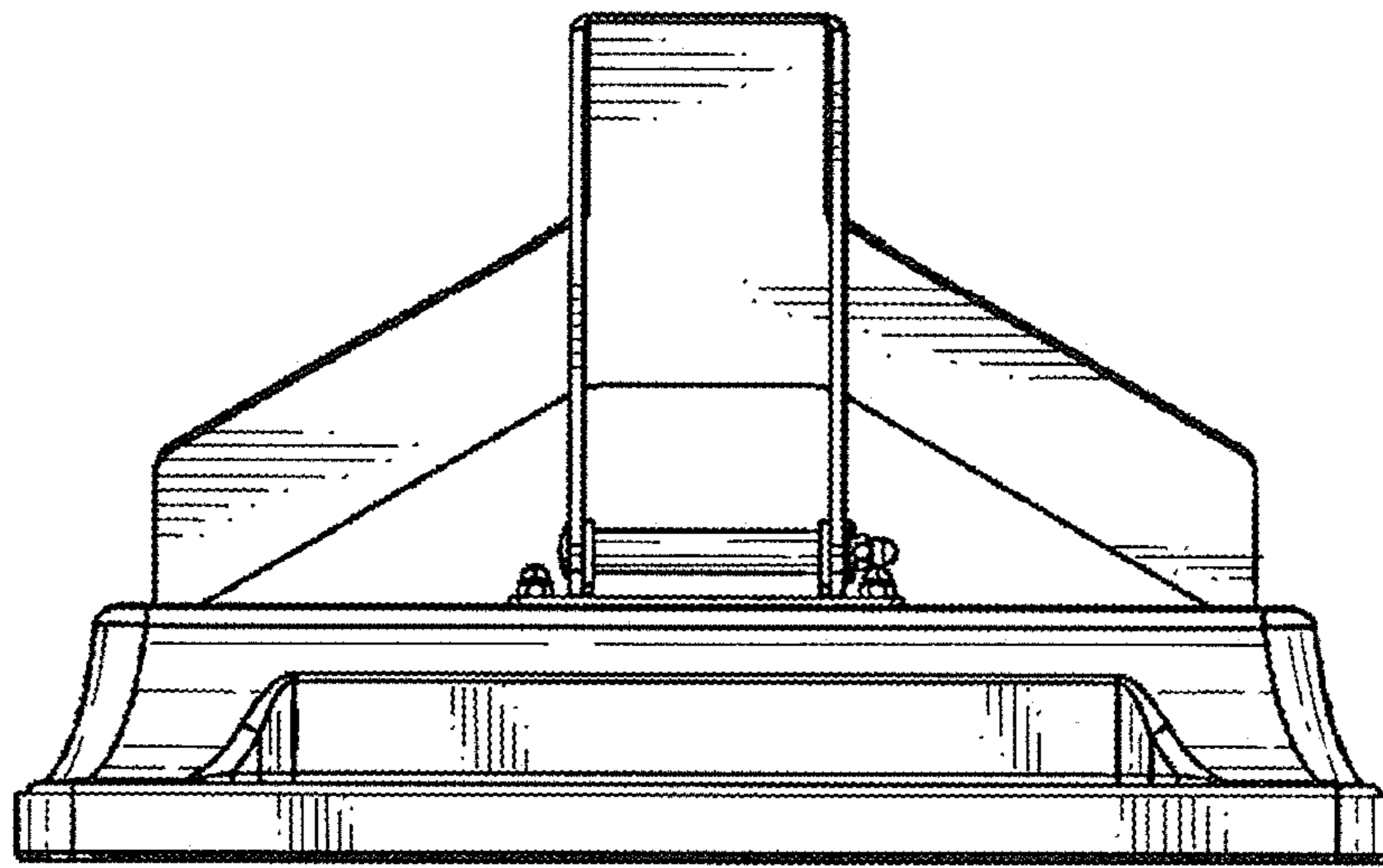


FIG. 5

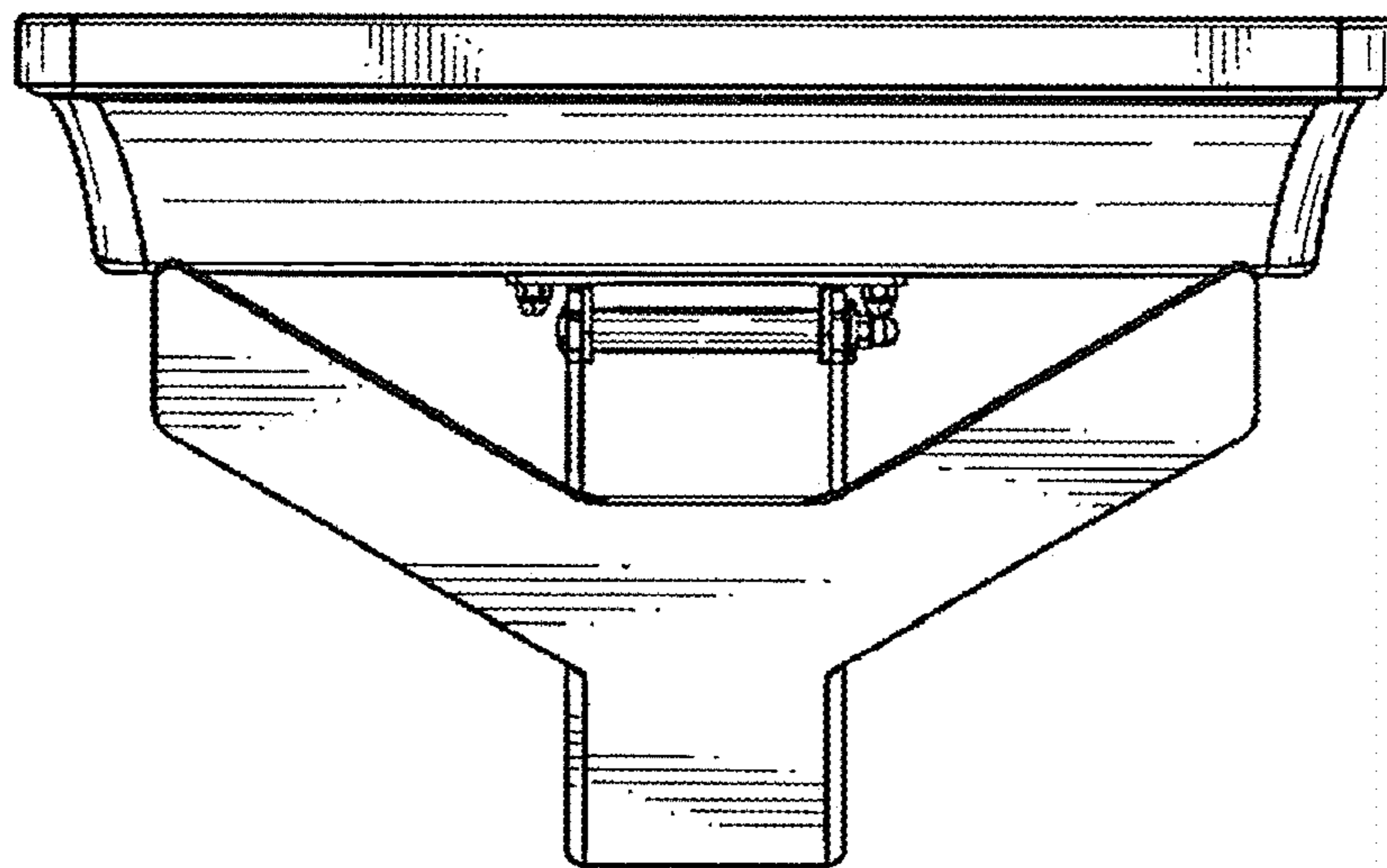


FIG. 6

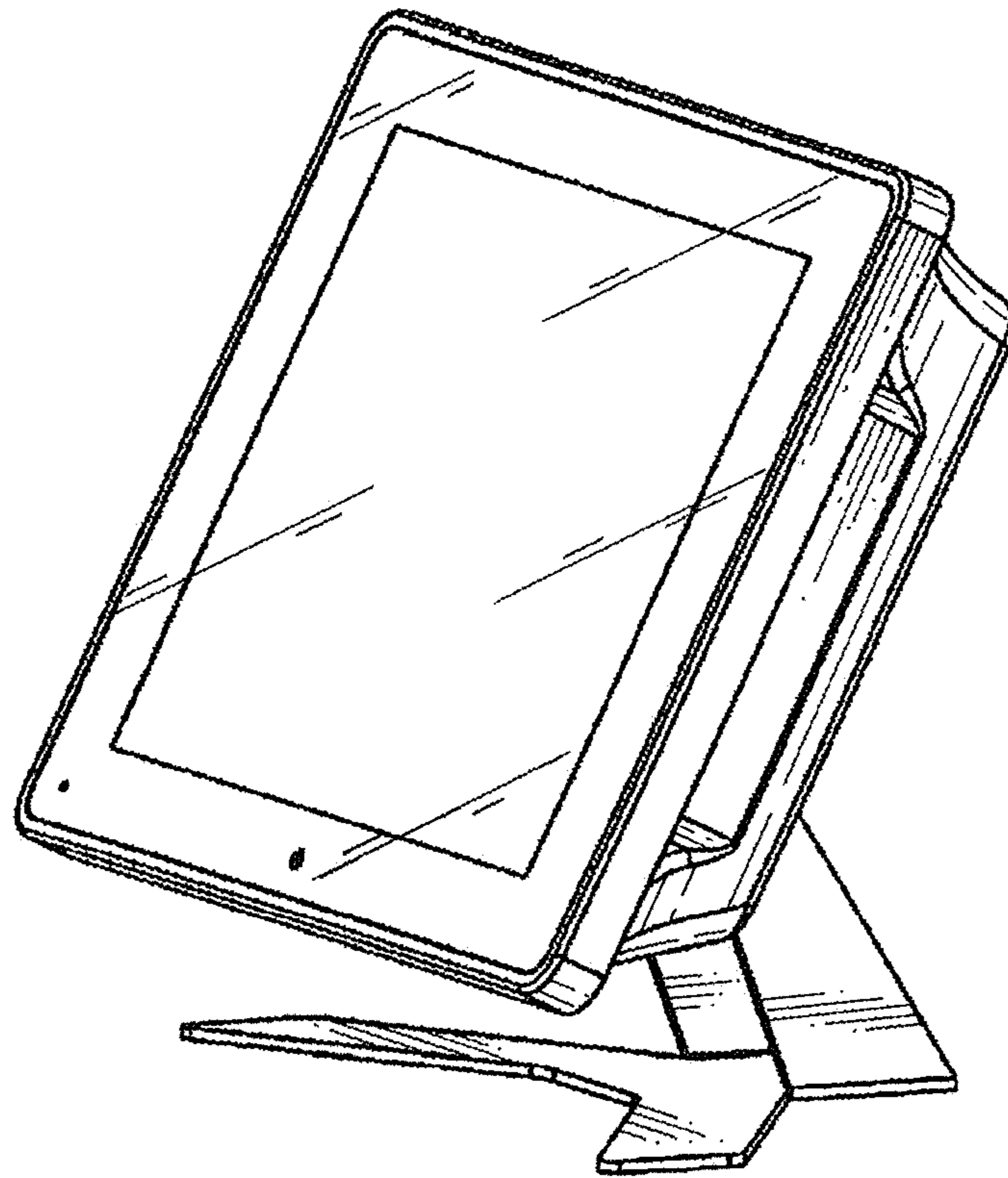


FIG. 7

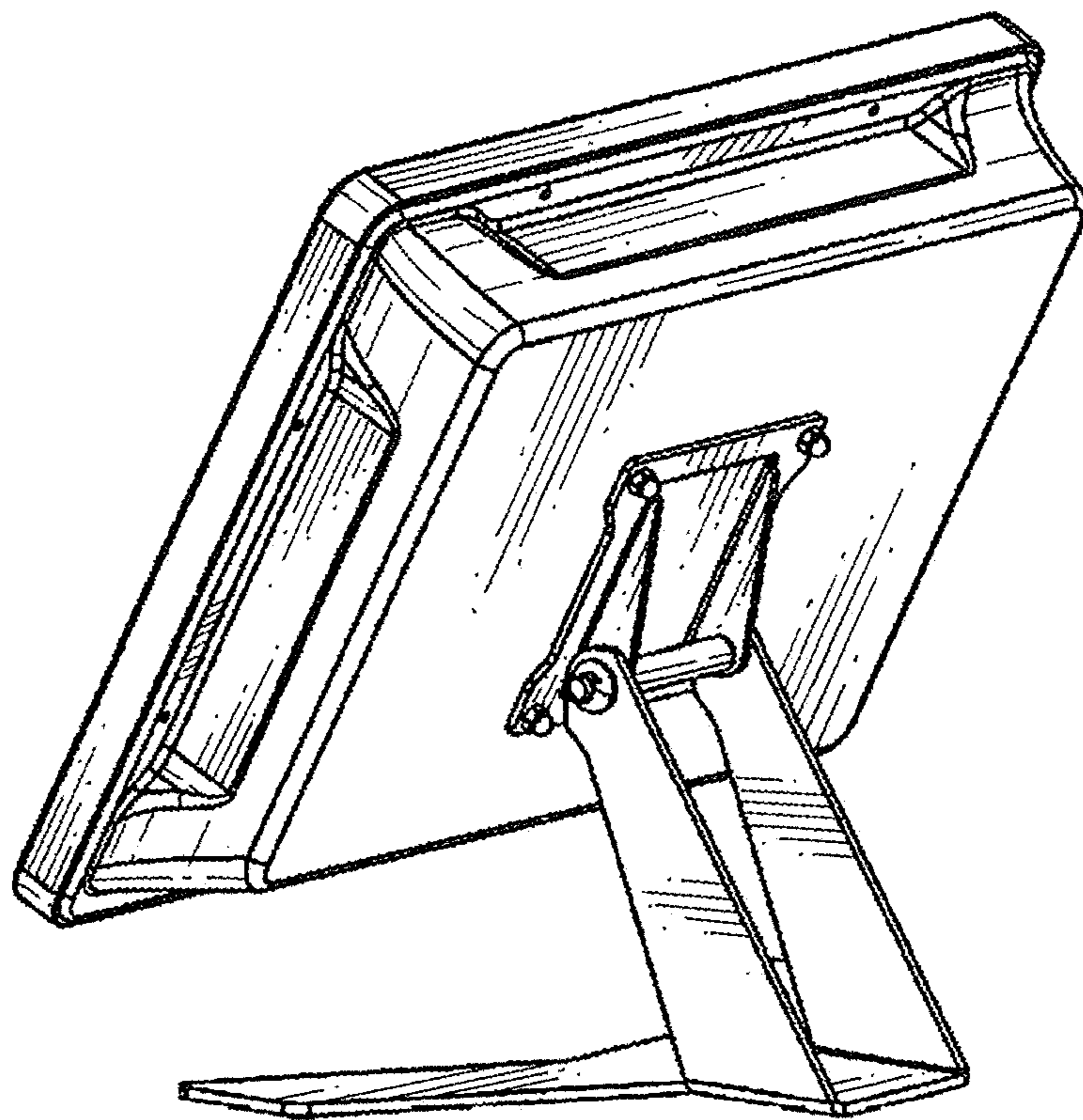


FIG. 8