



US00D716294S

(12) **United States Design Patent**
Park et al.

(10) **Patent No.:** **US D716,294 S**
(45) **Date of Patent:** **** Oct. 28, 2014**

(54) **HANDHELD MOBILE COMPUTER**

(71) Applicant: **Bluebird Inc.**, Seoul (KR)

(72) Inventors: **Jung Sik Park**, Seongnam-si (KR);
Hack Nam Yoon, Bucheon-si (KR); **Ai Rim Ko**, Suwon-si (KR); **Jang Won Lee**, Seoul (KR)

(73) Assignee: **Bluebird Inc.** (KR)

(**) Term: **14 Years**

(21) Appl. No.: **29/480,473**

(22) Filed: **Jan. 27, 2014**

(30) **Foreign Application Priority Data**

Aug. 1, 2013 (KR) 30-2013-0039869

(51) **LOC (10) Cl.** **14-02**

(52) **U.S. Cl.**
USPC **D14/341**

(58) **Field of Classification Search**
USPC D14/341-347, 137, 138 R, 138 AA, D14/138 C, 138 G, 496, 203.1, 203.3, 203.4, D14/203.7, 129, 130, 147, 218, 247, 248, D14/388, 389, 315-318, 420, 426; D10/65, D10/104.1; D18/6, 7; D21/324, 329, 330, D21/332; 455/556.1, 556.2, 566, 575.1, 455/90.3; 379/433.04, 433.01, 433.06, 916; 345/173, 901, 905; 361/679.26, 361/679.27, 679.3, 679.55, 679.56
See application file for complete search history.

(56) **References Cited**

U.S. PATENT DOCUMENTS

2,266,181 A * 12/1941 Epps 206/544
D325,835 S * 5/1992 Sollner D8/403
D343,172 S * 1/1994 Watanabe D14/138 AA
6,616,111 B1 * 9/2003 White 248/309.1

D496,366 S * 9/2004 Croley et al. D14/429
D571,757 S * 6/2008 Kesler et al. D14/137
D600,908 S * 9/2009 Richardson et al. D3/218
D608,358 S * 1/2010 Ong D14/345
D623,651 S * 9/2010 Hsu D14/439
D623,652 S * 9/2010 Hsu D14/439
D627,780 S * 11/2010 Kuroda D14/346
D630,181 S * 1/2011 Xiao D14/138 AA
D633,088 S * 2/2011 Liao D14/341
D633,089 S * 2/2011 Hsu D14/341
D640,679 S * 6/2011 Willes et al. D14/250
D641,354 S * 7/2011 Hsu D14/341
D645,462 S * 9/2011 Choi D14/253
D646,322 S * 10/2011 Hertrich, Jr. D19/26
D648,332 S * 11/2011 Kim et al. D14/248
D682,817 S * 5/2013 Murchison et al. D14/250
D683,340 S * 5/2013 Chang et al. D14/250
D685,357 S * 7/2013 Rekuc et al. D14/250
D687,806 S * 8/2013 Hachiya D14/138 G
D688,219 S * 8/2013 Ikezu et al. D14/138 G

(Continued)

Primary Examiner — Barbara Fox

Assistant Examiner — Dana Weiland

(74) *Attorney, Agent, or Firm* — Cantor Colburn LLP

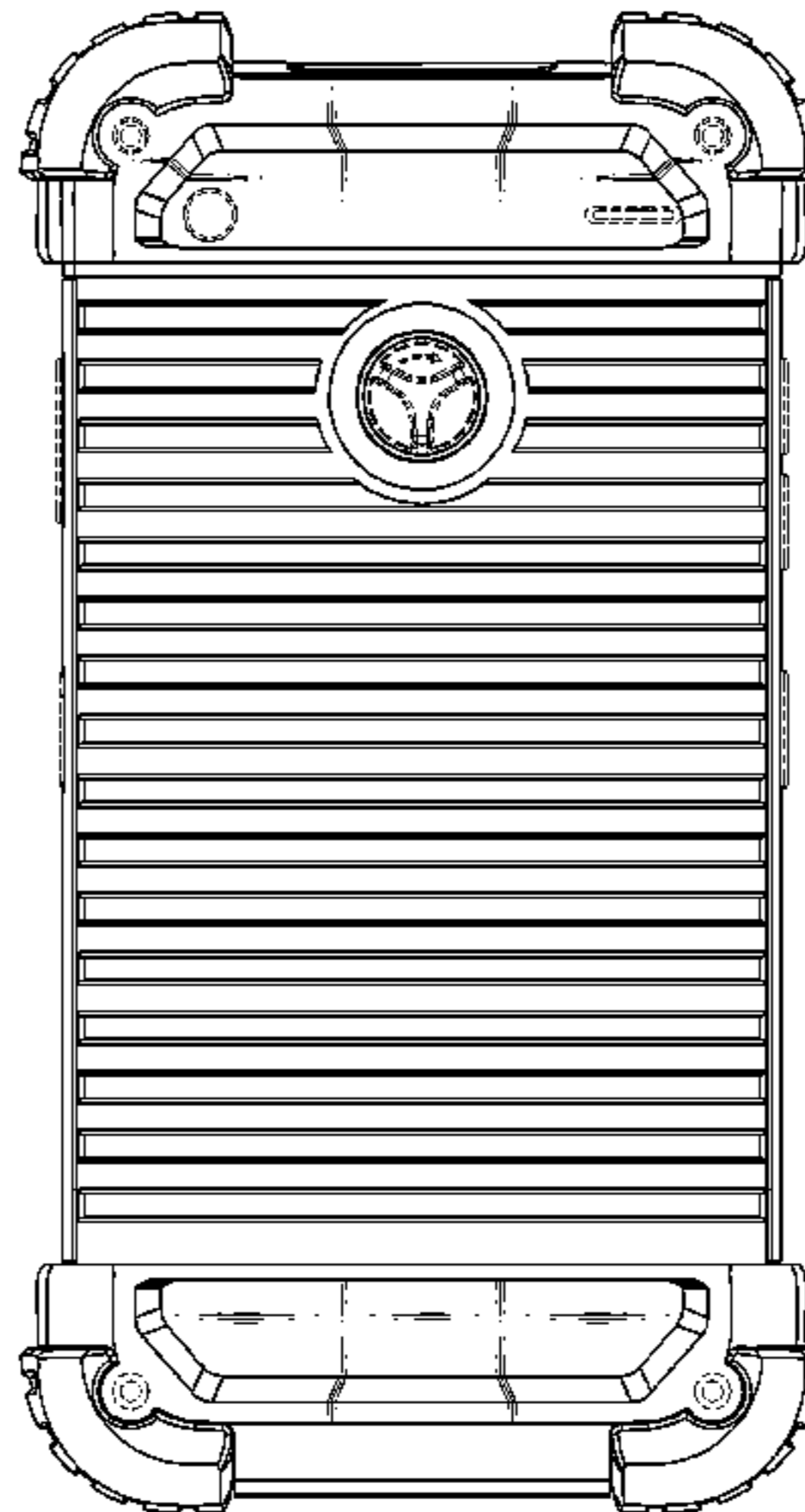
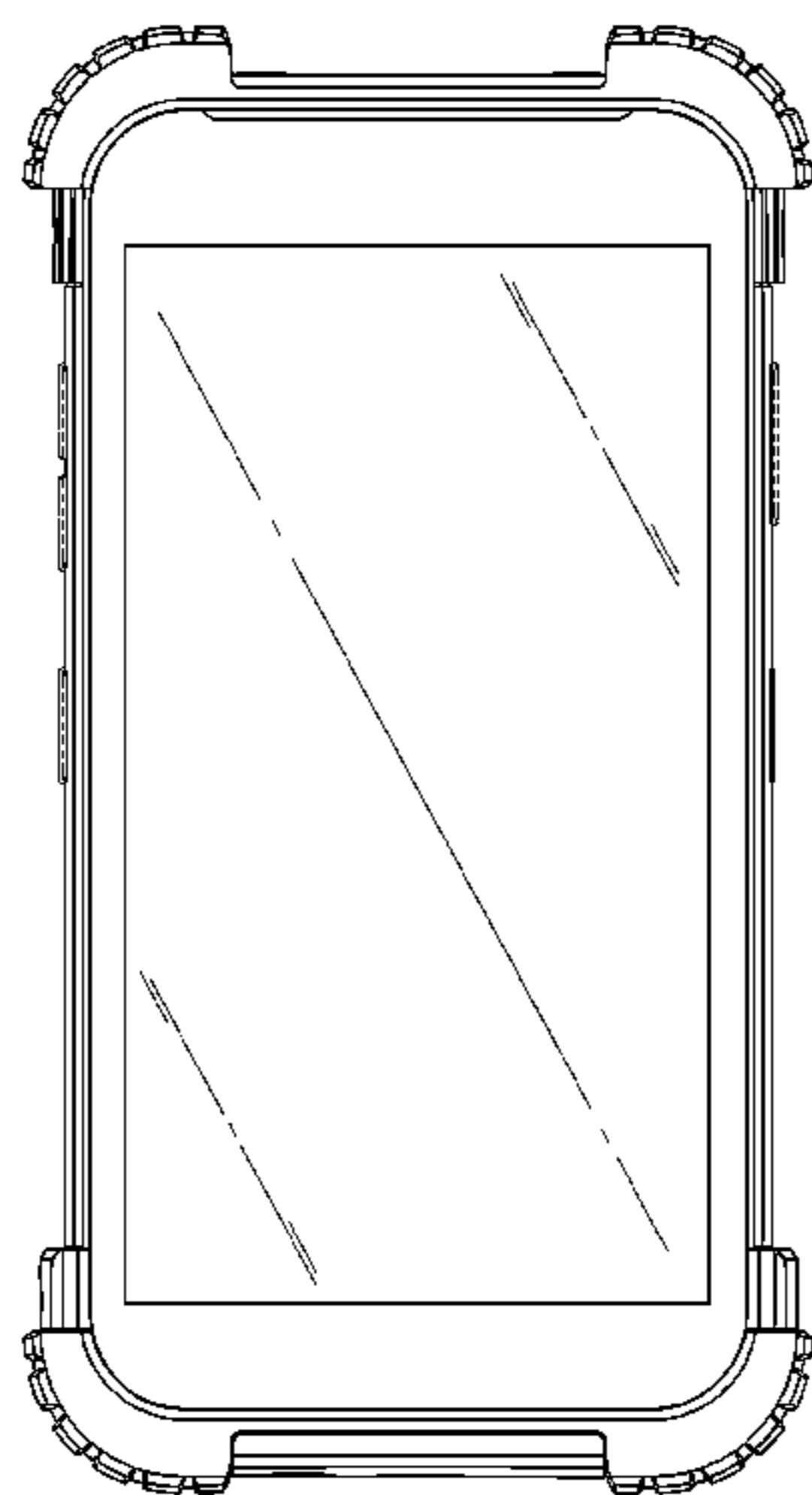
(57) **CLAIM**

The ornamental design for a handheld mobile computer, as shown and described.

DESCRIPTION

FIG. 1 is a perspective view of a handheld mobile computer showing our new design;
FIG. 2 is a front view thereof;
FIG. 3 is a rear view thereof;
FIG. 4 is a left side view thereof;
FIG. 5 is a right side view thereof;
FIG. 6 is a top plan view thereof; and,
FIG. 7 is a bottom plan view thereof.
The broken lines in the drawing views are included for the purpose of illustrating the unclaimed portions of the handheld mobile computer and form no part of the claimed design.

1 Claim, 6 Drawing Sheets



US D716,294 S

Page 2

(56)

References Cited

U.S. PATENT DOCUMENTS

D691,123 S * 10/2013 Lay et al. D14/250
D692,418 S * 10/2013 Fahrendorff et al. D14/250
D692,893 S * 11/2013 Wesolek D14/429
D694,742 S * 12/2013 Pan D14/250

D694,752 S * 12/2013 Li D14/341
D696,656 S * 12/2013 Murchison et al. D14/250
D698,774 S * 2/2014 Wardy D14/250
D701,203 S * 3/2014 Katori et al. D14/341
8,774,882 B2 * 7/2014 Tages et al. 455/575.8

* cited by examiner

FIG. 1

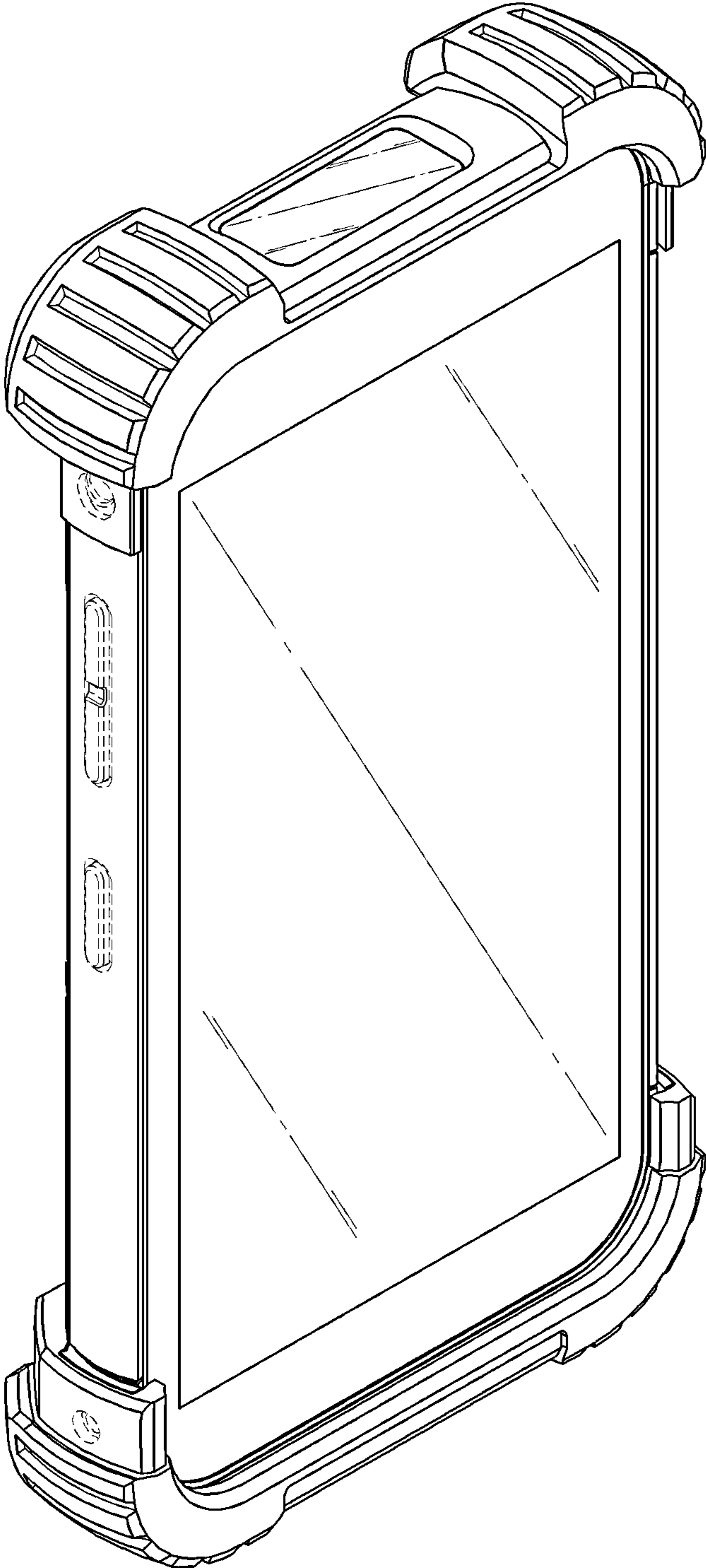


FIG. 2

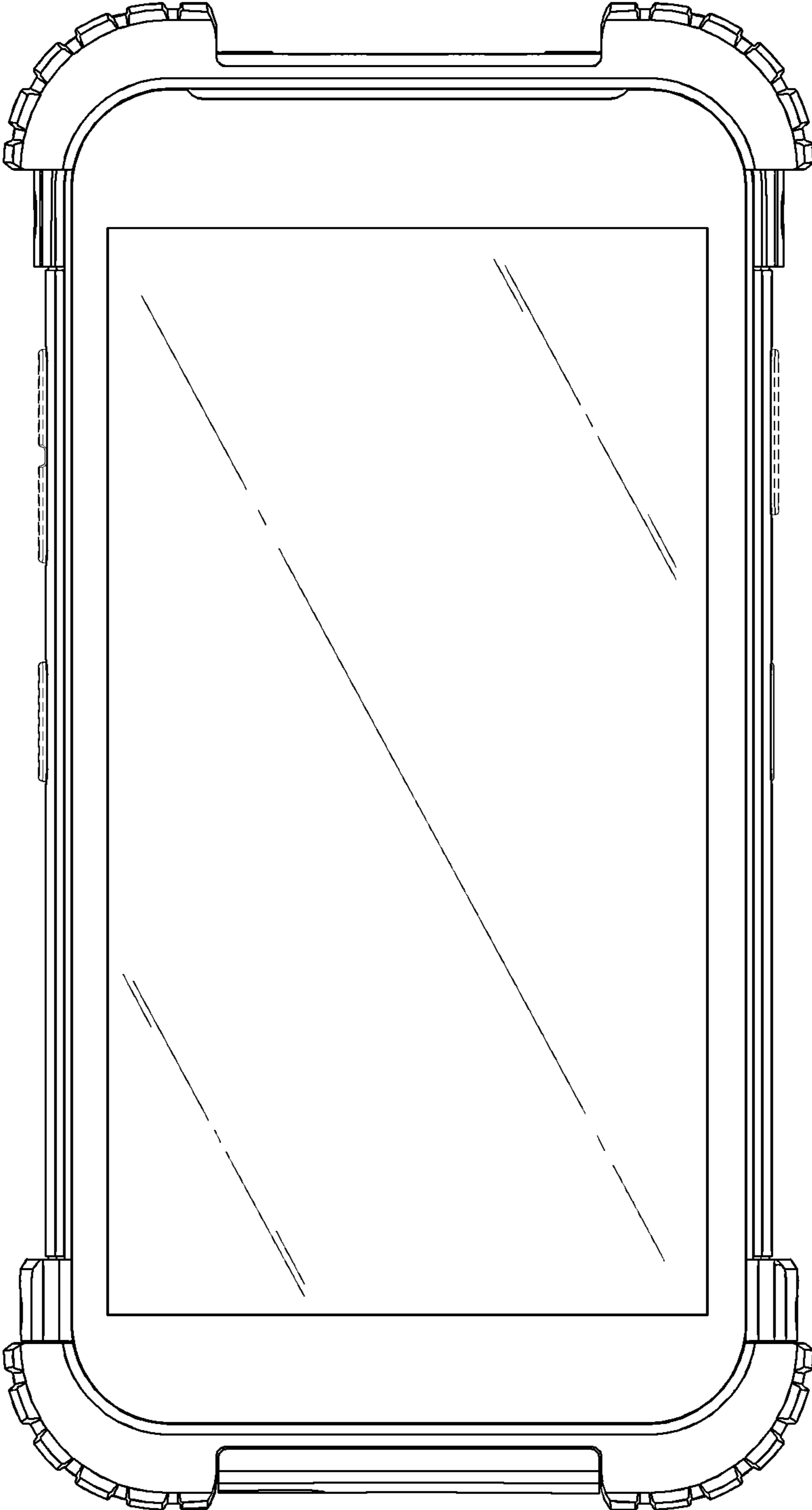


FIG. 3

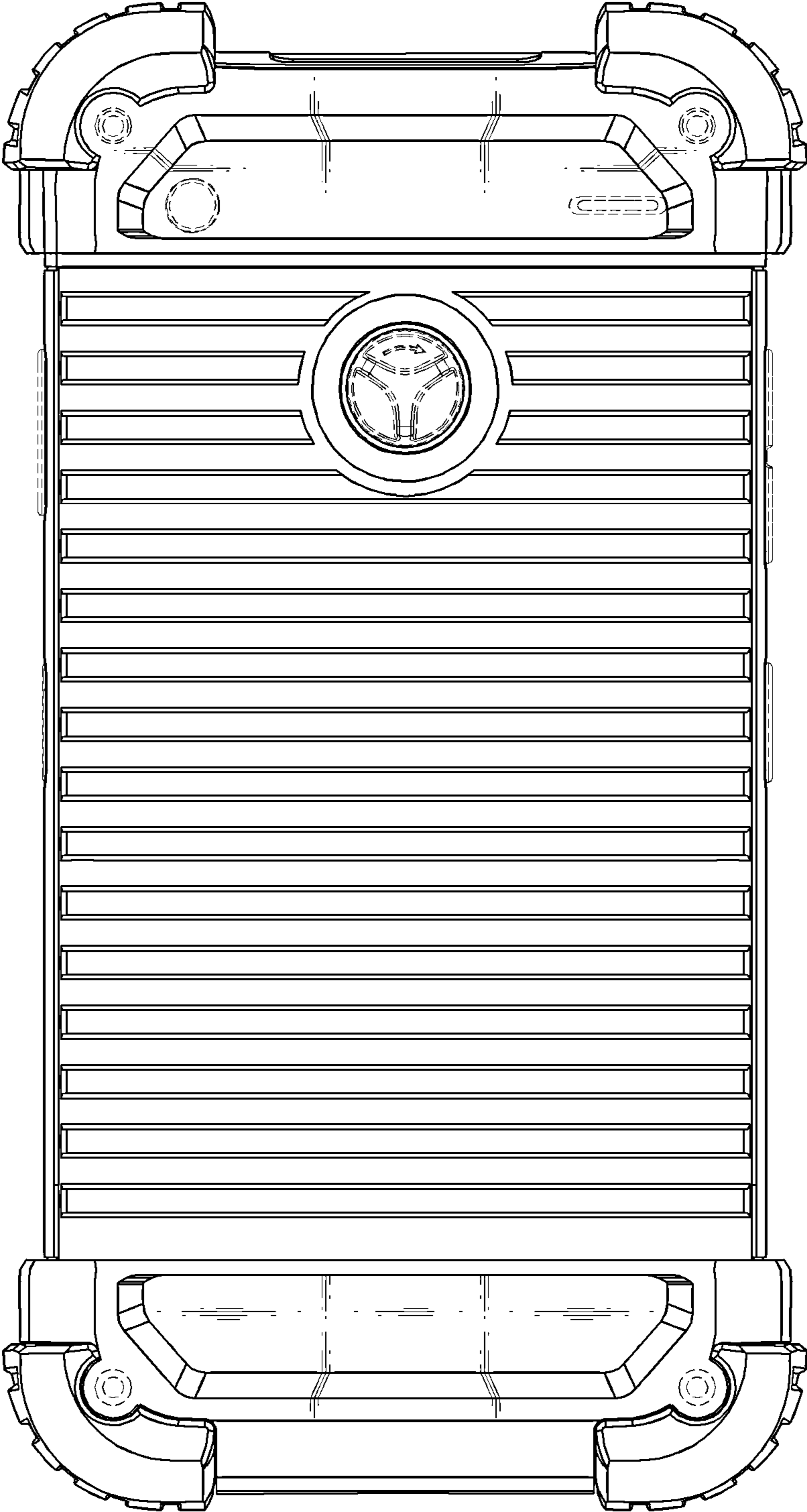


FIG. 4

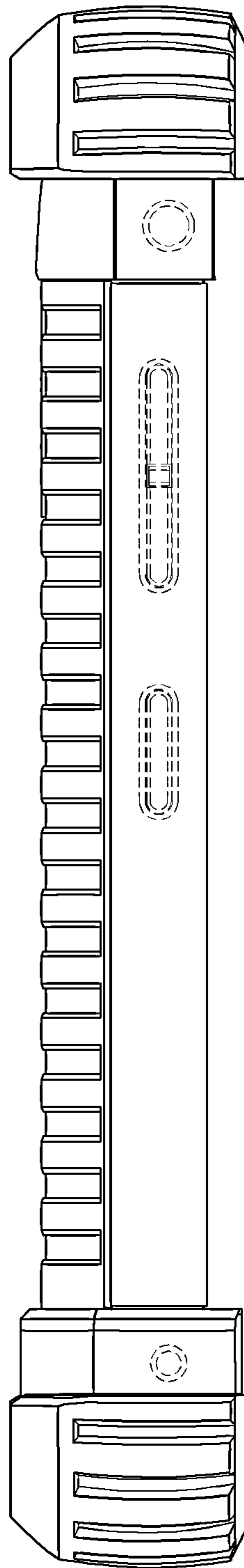


FIG. 5

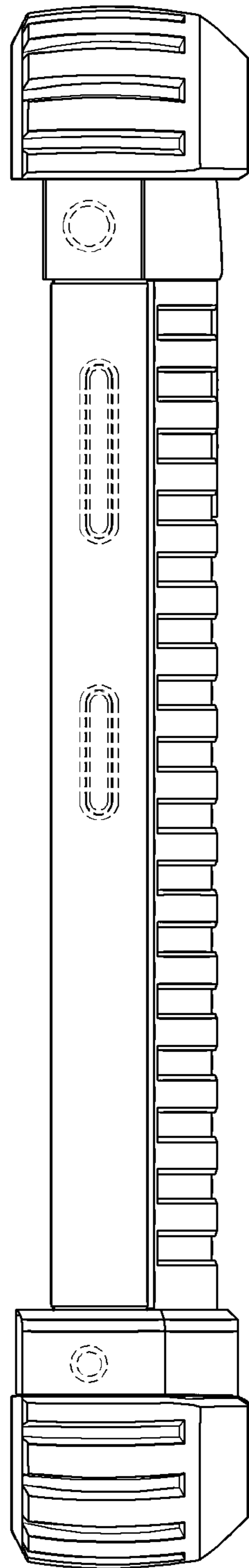


FIG. 6

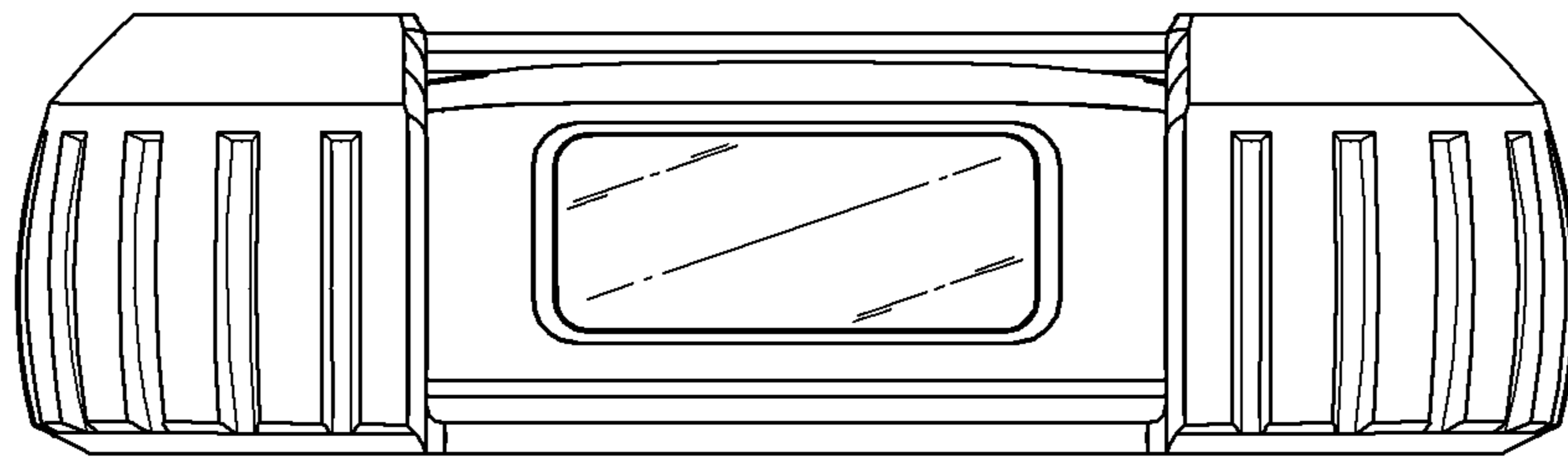


FIG. 7

