



US00D716290S

(12) **United States Design Patent**
Lim et al.

(10) **Patent No.:** **US D716,290 S**
(45) **Date of Patent:** **** Oct. 28, 2014**

(54) **DESKTOP COMPUTER**

D624,912 S 10/2010 Chen et al.
D650,377 S 12/2011 Akana et al.
D686,201 S 7/2013 Lee

(71) Applicant: **Samsung Electronics Co., Ltd.**,
Suwon-Si (KR)

FOREIGN PATENT DOCUMENTS

(72) Inventors: **Woo-Teik Lim**, Seoul (KR); **Yeo-Wan Yun**, Seongnam (KR)

KR 3020080050677 12/2009
KR 3020100050290 5/2011
KR 3020100015137 6/2011
KR 3020110009721 11/2011
KR 3020110037472 12/2011
KR 3020110050344 2/2012

(73) Assignee: **Samsung Electronics Co., Ltd.**,
Suwon-Si (KR)

OTHER PUBLICATIONS

(**) Term: **14 Years**

Notice of Allowance issued in Design U.S. Appl. No. 29/422,470, dated Mar. 15, 2013, 15 pages.

(21) Appl. No.: **29/452,580**

* cited by examiner

(22) Filed: **Apr. 18, 2013**

(30) **Foreign Application Priority Data**

Primary Examiner — Freda S Nunn

Nov. 6, 2012 (KR) 30-2012-0052917

(74) *Attorney, Agent, or Firm* — Wood, Herron & Evans, LLP

(51) **LOC (10) Cl.** **14-02**

(57) **CLAIM**

(52) **U.S. Cl.**
USPC **D14/314**

The ornamental design for a desktop computer, as shown and described.

(58) **Field of Classification Search**

DESCRIPTION

USPC D14/300, 301, 308, 314, 328, 348,
D14/349-356; D13/162, 184, 199;
312/223.1-223.2; 360/99.01-99.12;
369/34.01, 36.01; 361/679.01, 679.6,
361/679.22

FIG. 1 is a top front perspective view of a desktop computer showing our new design;
FIG. 2 is a front elevational view thereof;
FIG. 3 is a rear elevational view thereof;
FIG. 4 is a left side elevational view thereof;
FIG. 5 is a right side elevational view thereof;
FIG. 6 is a top plan view thereof;
FIG. 7 is a bottom plan view thereof;
FIG. 8 is a top plan view thereof depicting the state of using the desktop computer on a hook attached to the place where it needs to hang; and,
FIG. 9 is an alternate top plan view thereof.
The broken lines depict environmental subject matter only and form no part of the claimed design.

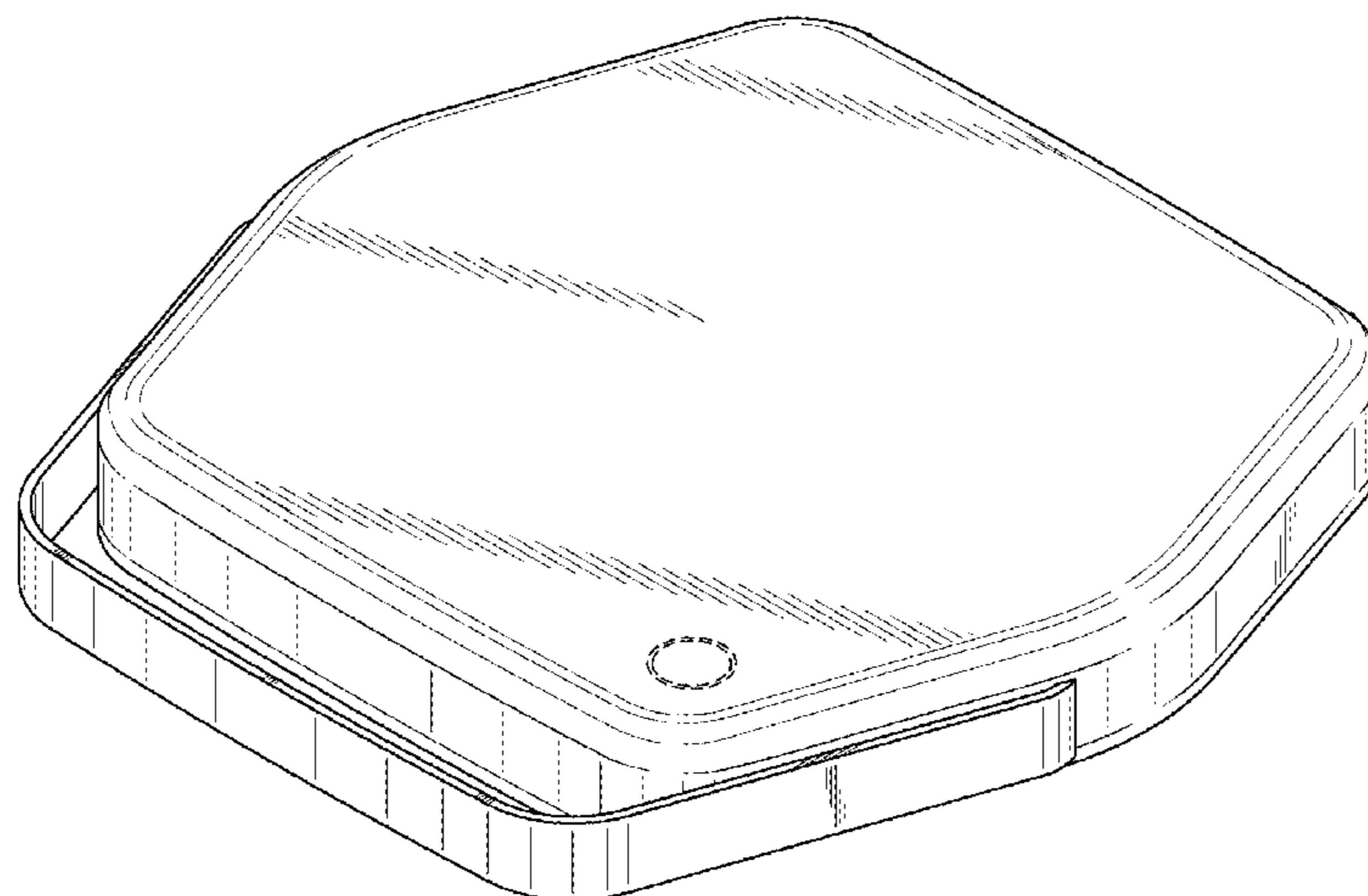
See application file for complete search history.

(56) **References Cited**

U.S. PATENT DOCUMENTS

D370,892 S * 6/1996 Shima et al. D14/314
D422,975 S * 4/2000 Sun D14/328
D462,957 S * 9/2002 Ekelund D14/336
D594,004 S * 6/2009 Takemasa D14/341
D596,626 S 7/2009 Andre et al.
D601,583 S 10/2009 Andre et al.
D620,953 S 8/2010 Andre et al.
D621,397 S 8/2010 Andre et al.

1 Claim, 5 Drawing Sheets



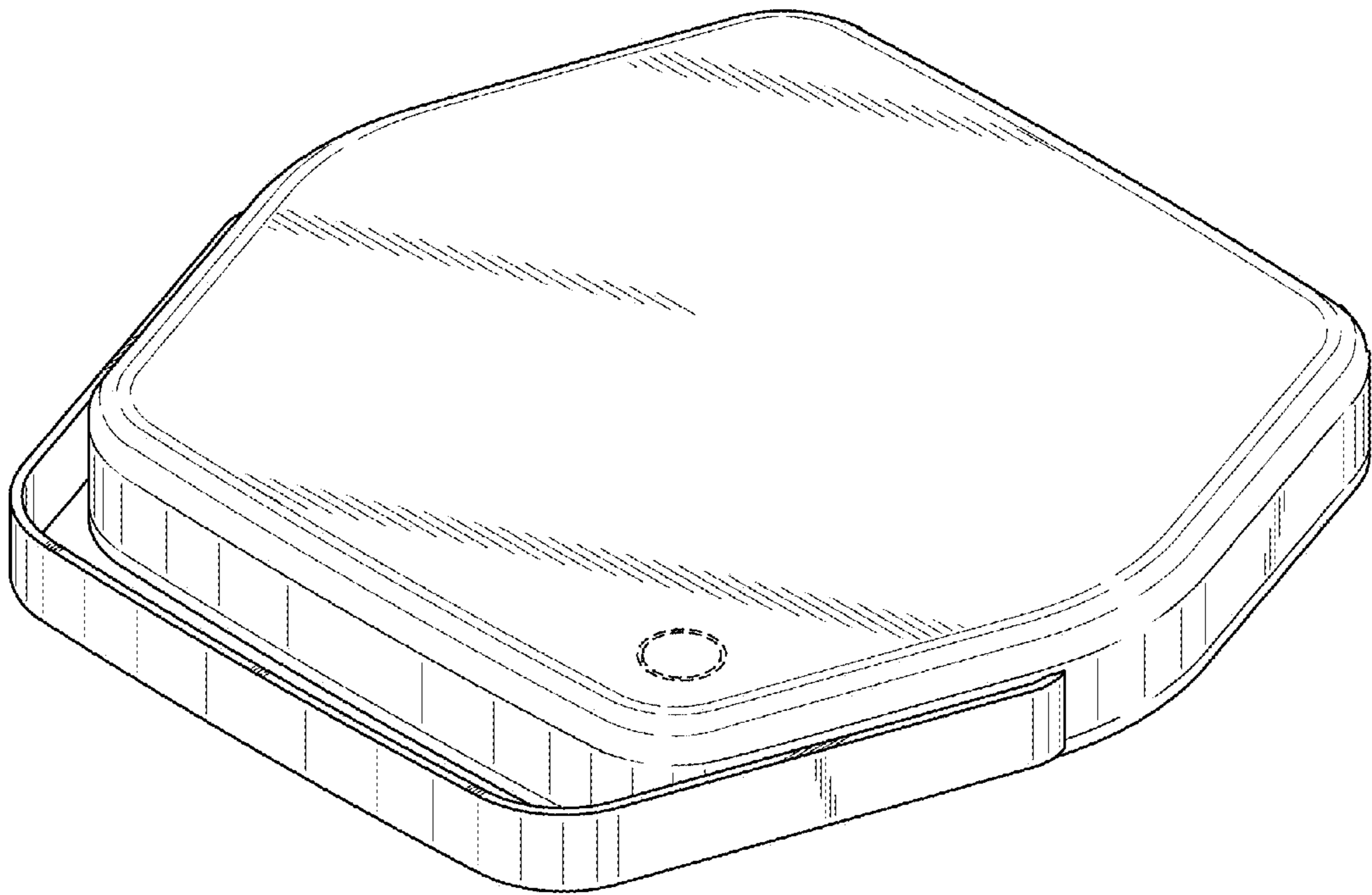


FIG.1

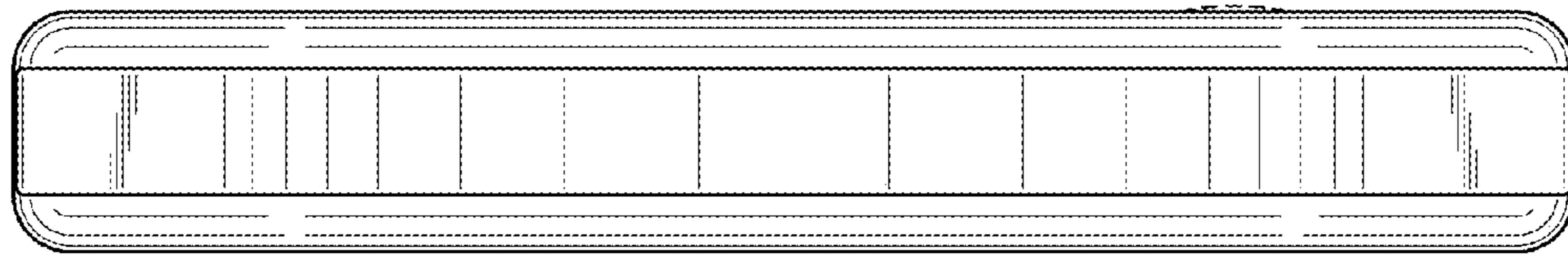


FIG. 2

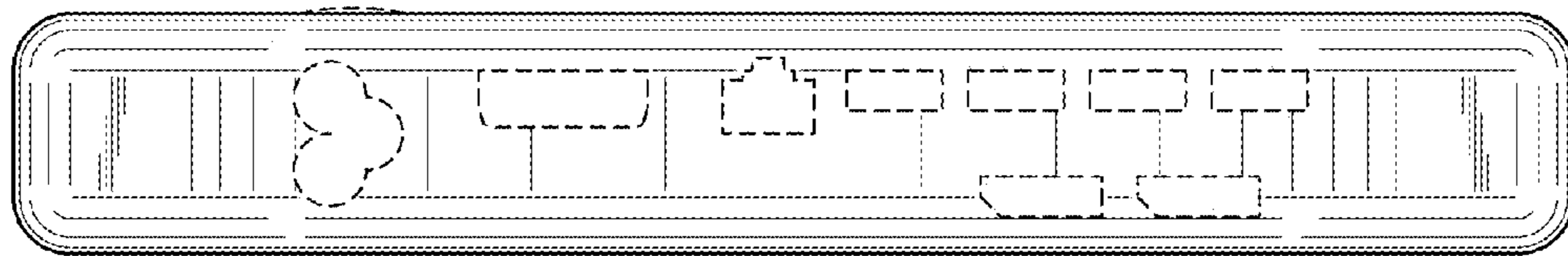


FIG. 3

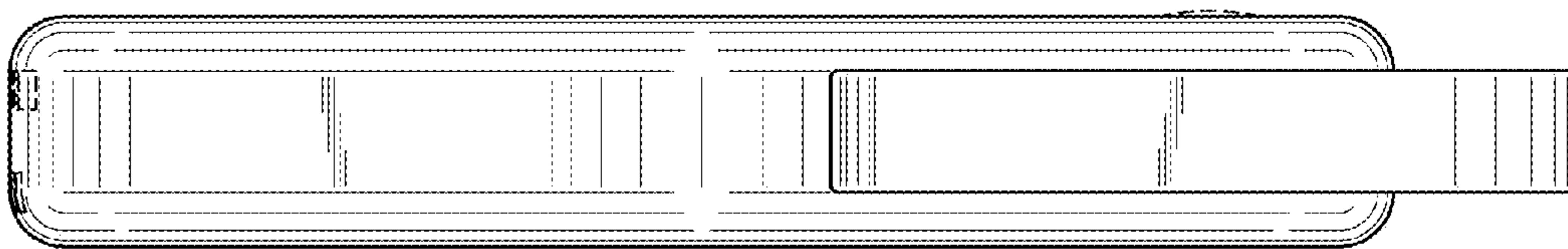


FIG. 4

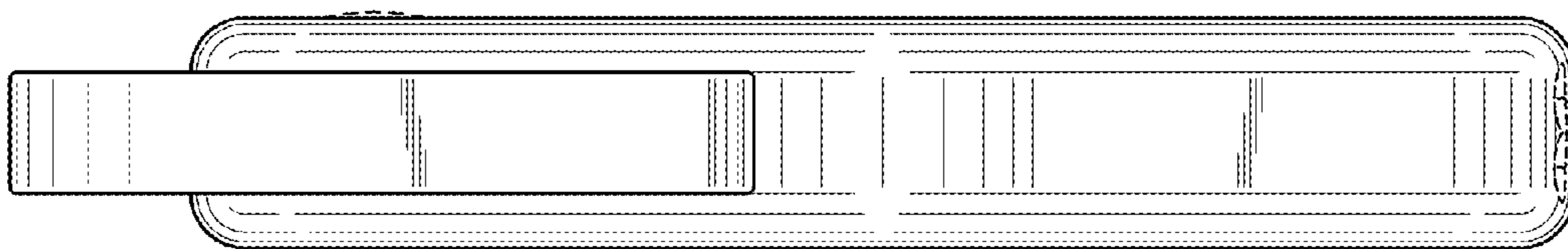


FIG. 5

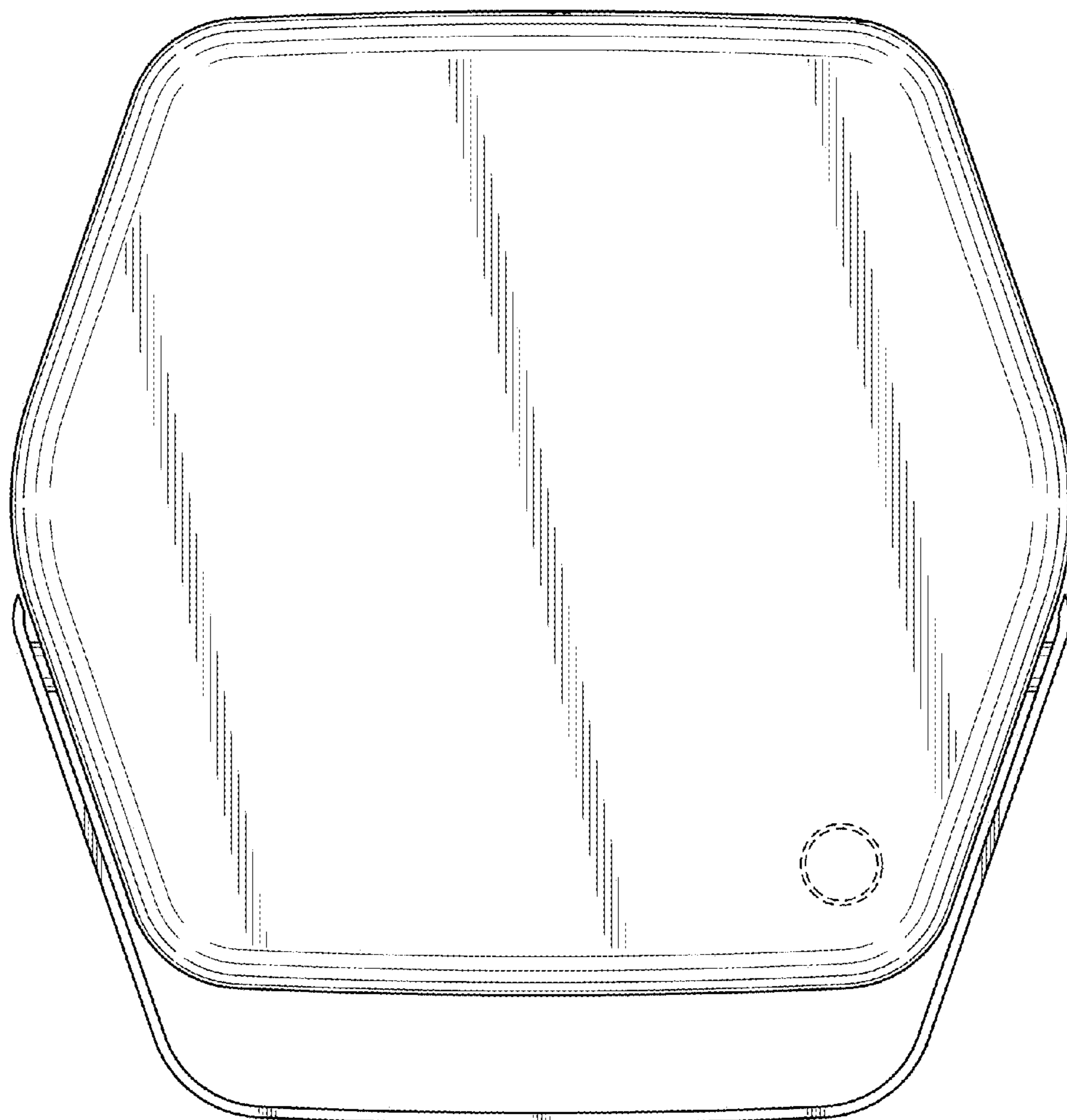


FIG.6

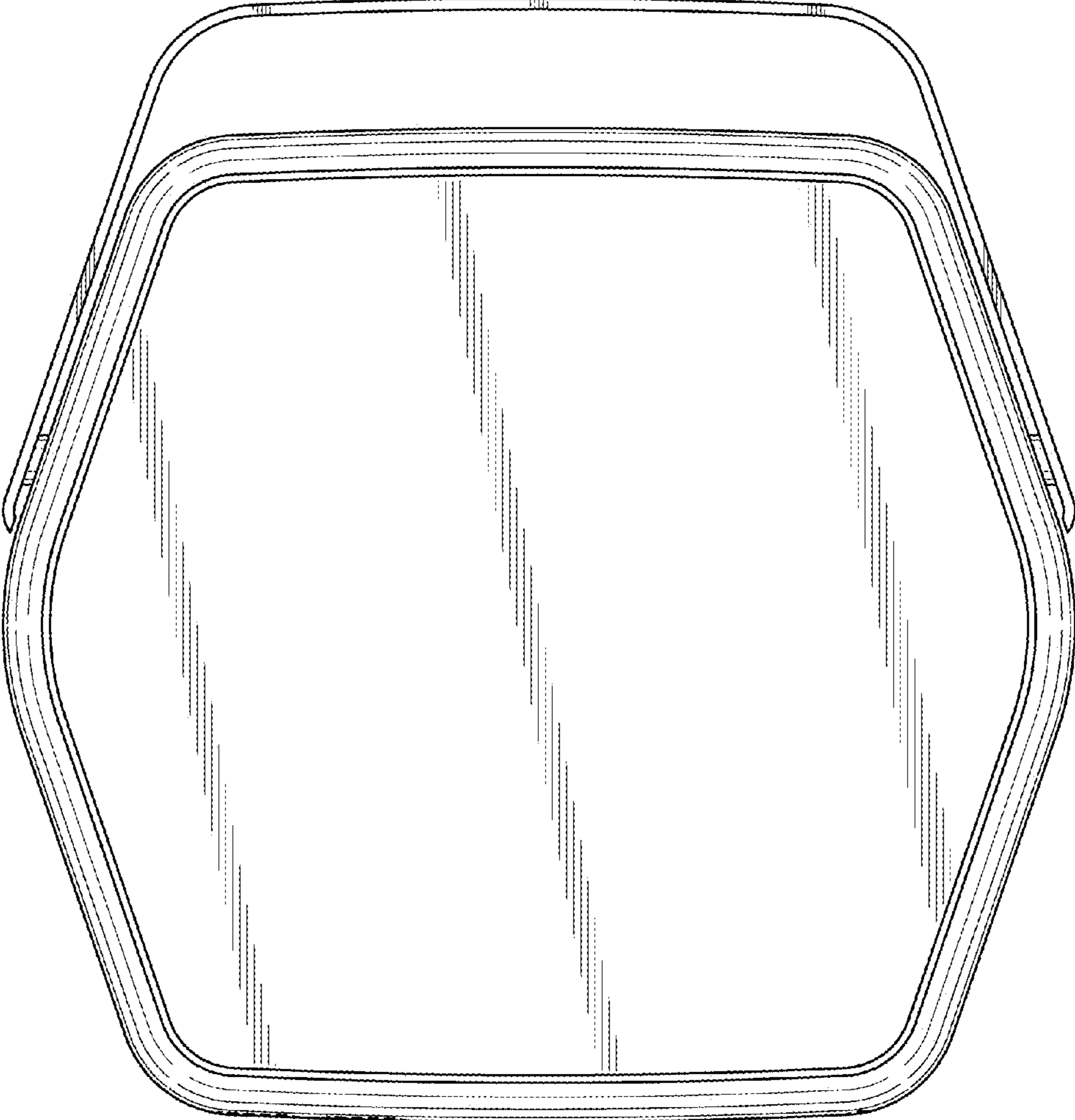


FIG.7

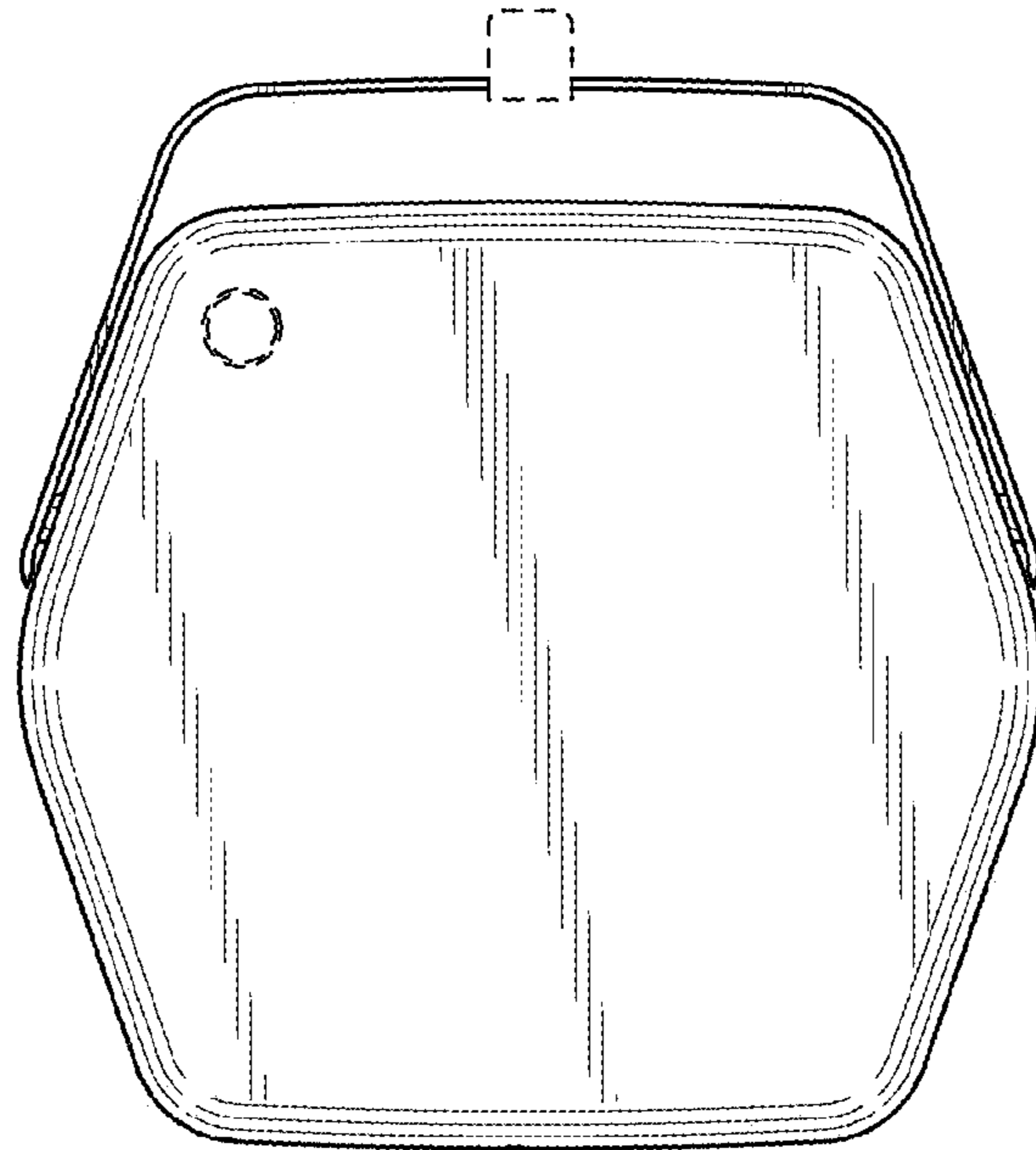


FIG. 8

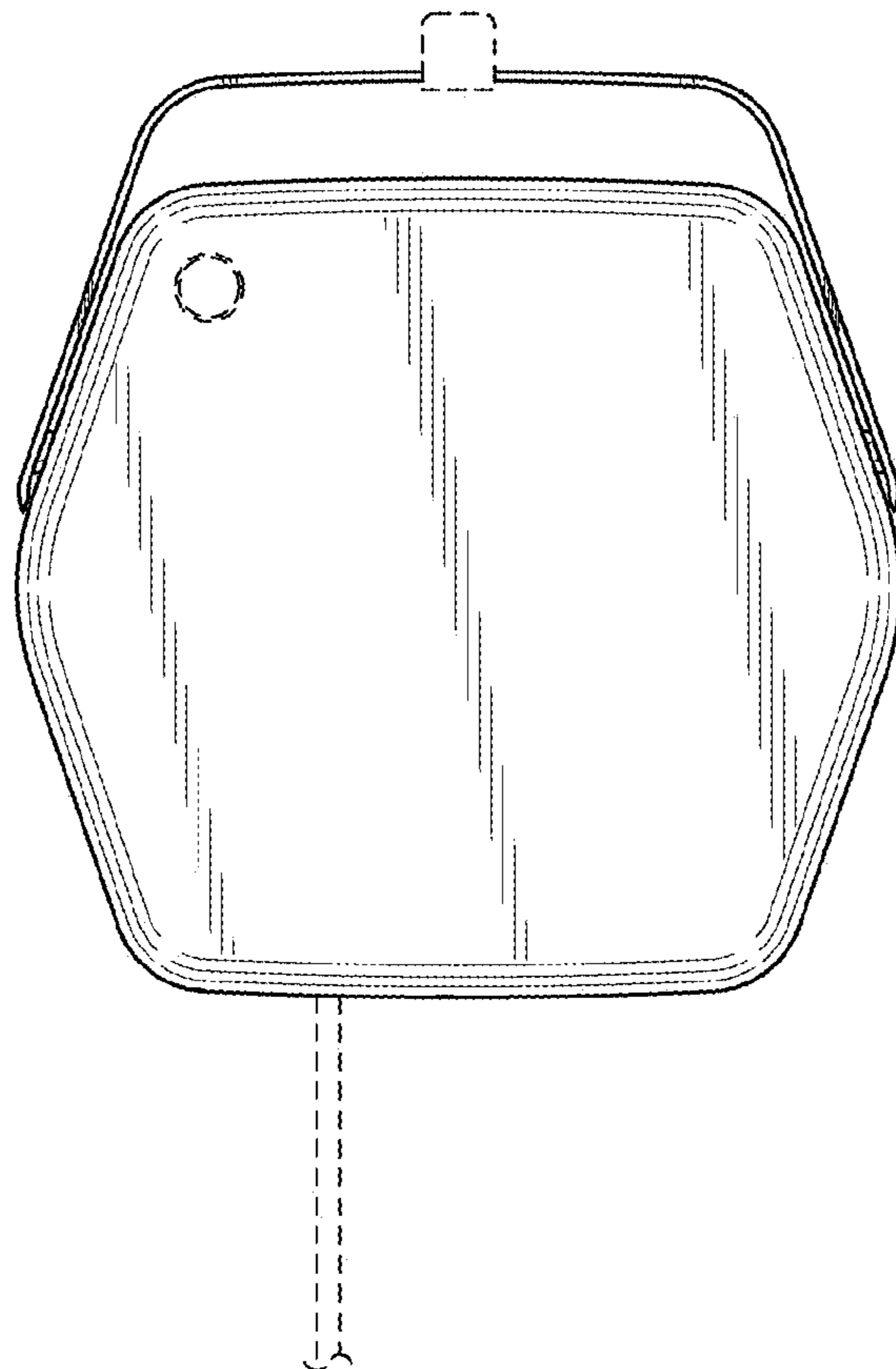


FIG. 9