



US00D716289S

(12) **United States Design Patent**  
**Park**

(10) **Patent No.:** **US D716,289 S**  
(45) **Date of Patent:** **\*\* Oct. 28, 2014**

(54) **TABLETOP COMPUTER**

FOREIGN PATENT DOCUMENTS

(71) Applicant: **Samsung Electronics Co., Ltd.**,  
Suwon-Si (KR)

KR 3020080050677 12/2009  
KR 3020100050290 5/2011

(Continued)

(72) Inventor: **Jung-Hyun Park**, Yongin (KR)

OTHER PUBLICATIONS

(73) Assignee: **Samsung Electronics Co., Ltd.**,  
Suwon-si (KR)

Notice of Allowance issued in Design U.S. Appl. No. 29/422,470  
dated Mar. 15, 2013, 15 pages.

(Continued)

(\*\*) Term: **14 Years**

(21) Appl. No.: **29/452,570**

*Primary Examiner* — Freda S Nunn

(22) Filed: **Apr. 18, 2013**

(74) *Attorney, Agent, or Firm* — Wood, Herron & Evans,  
LLP

(30) **Foreign Application Priority Data**

(57) **CLAIM**

The ornamental design for a tabletop computer, as shown and  
described.

Nov. 5, 2012 (KR) ..... 30-2012-0052676

**DESCRIPTION**

(51) **LOC (10) Cl.** ..... **14-02**

(52) **U.S. Cl.**  
USPC ..... **D14/314**

(58) **Field of Classification Search**  
USPC ..... D14/300, 301, 308, 314, 348, 349–356,  
D14/496; D13/162, 184, 199;  
312/223.1–223.2; 360/99.01–99.12;  
369/34.01, 36.01; 361/679.01, 679.6,  
361/679.22; D16/221, 225, 229, 230  
See application file for complete search history.

FIG. 1 is a top front perspective view of a tabletop computer  
showing my new design;  
FIG. 2 is a front elevational view thereof;  
FIG. 3 is a rear elevational view thereof;  
FIG. 4 is a left side elevational view thereof;  
FIG. 5 is a right side elevational view thereof;  
FIG. 6 is a top plan view thereof;  
FIG. 7 is a bottom plan view thereof;  
FIG. 8 is a top front perspective view thereof in case of  
separating the upper portion of compact projector from the  
lower portion of main computer body; and,  
FIG. 9 is a side view thereof in case of adjusting the upper  
compact projector at a desired angle.

(56) **References Cited**

U.S. PATENT DOCUMENTS

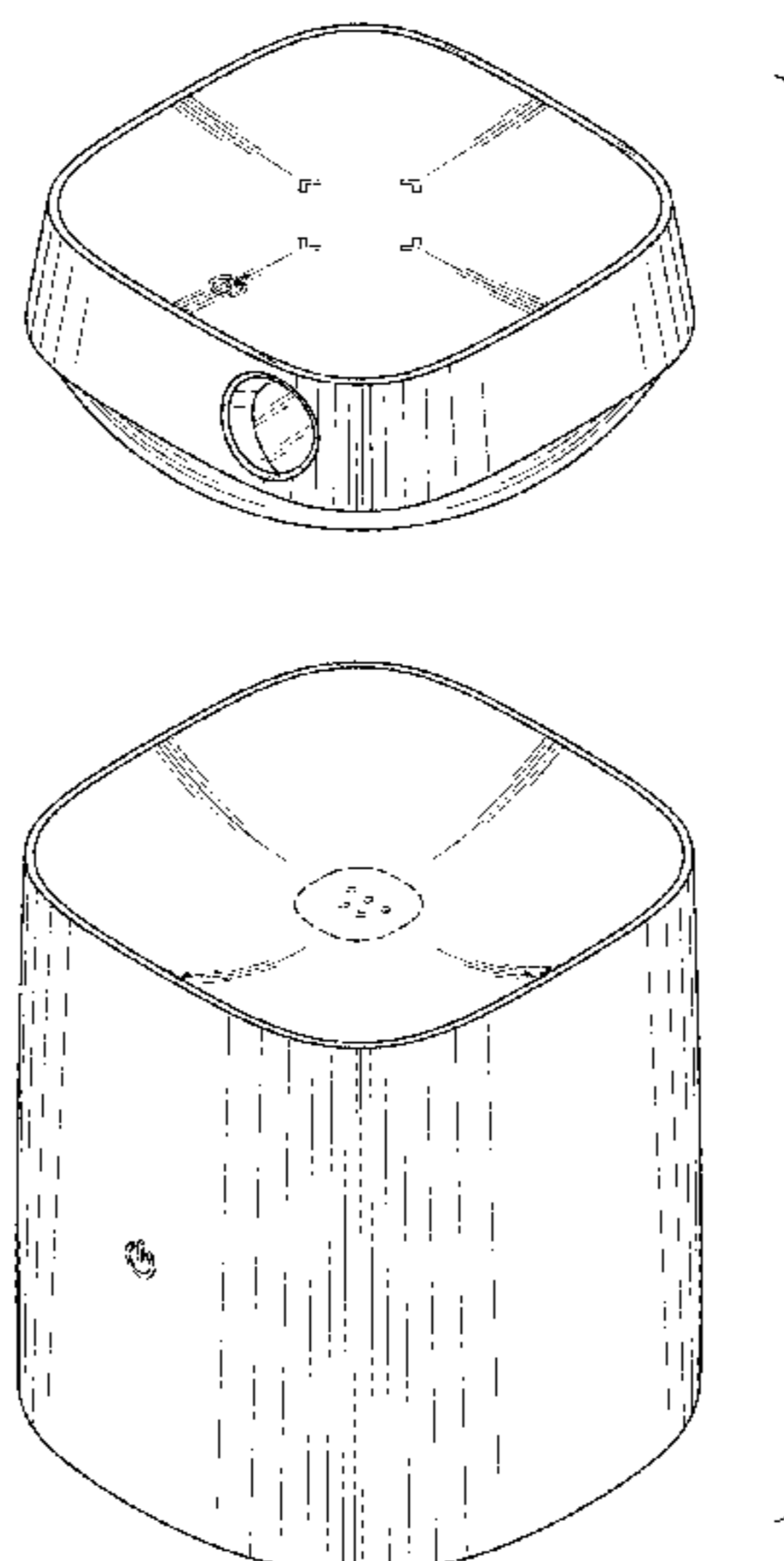
D548,263 S \* 8/2007 Nakanishi ..... D16/230  
D596,626 S 7/2009 Andre et al.  
D601,583 S 10/2009 Andre et al.  
D602,019 S \* 10/2009 Wang et al. .... D14/356  
D607,575 S \* 1/2010 Walsh ..... D24/216  
D620,953 S 8/2010 Andre et al.  
D621,397 S 8/2010 Andre et al.  
D624,912 S 10/2010 Chen et al.

The broken lines depict environmental subject matter only  
and form no part of the claimed design.

The upper surface of the lower computer body is concave and  
the lower surface of the upper body, a compact projector, is  
convex, and thus when the compact projector is put on the  
lower body, the curve caused by the concavity and the con-  
vexity enables adjustments at various angles.

(Continued)

**1 Claim, 5 Drawing Sheets**



(56)

**References Cited**

KR 3020110037472 12/2011  
KR 3020110050344 2/2012

U.S. PATENT DOCUMENTS

D648,844 S \* 11/2011 Nelson et al. .... D24/107  
D650,377 S 12/2011 Akana et al.  
D686,201 S 7/2013 Lee

FOREIGN PATENT DOCUMENTS

KR 3020100015137 6/2011  
KR 3020110009721 11/2011

OTHER PUBLICATIONS

U.S. Appl. No. 29/452,580, First Named Inventor Woo-Teik Lim,  
filed Apr. 18, 2013, and entitled Desktop Computer.

\* cited by examiner

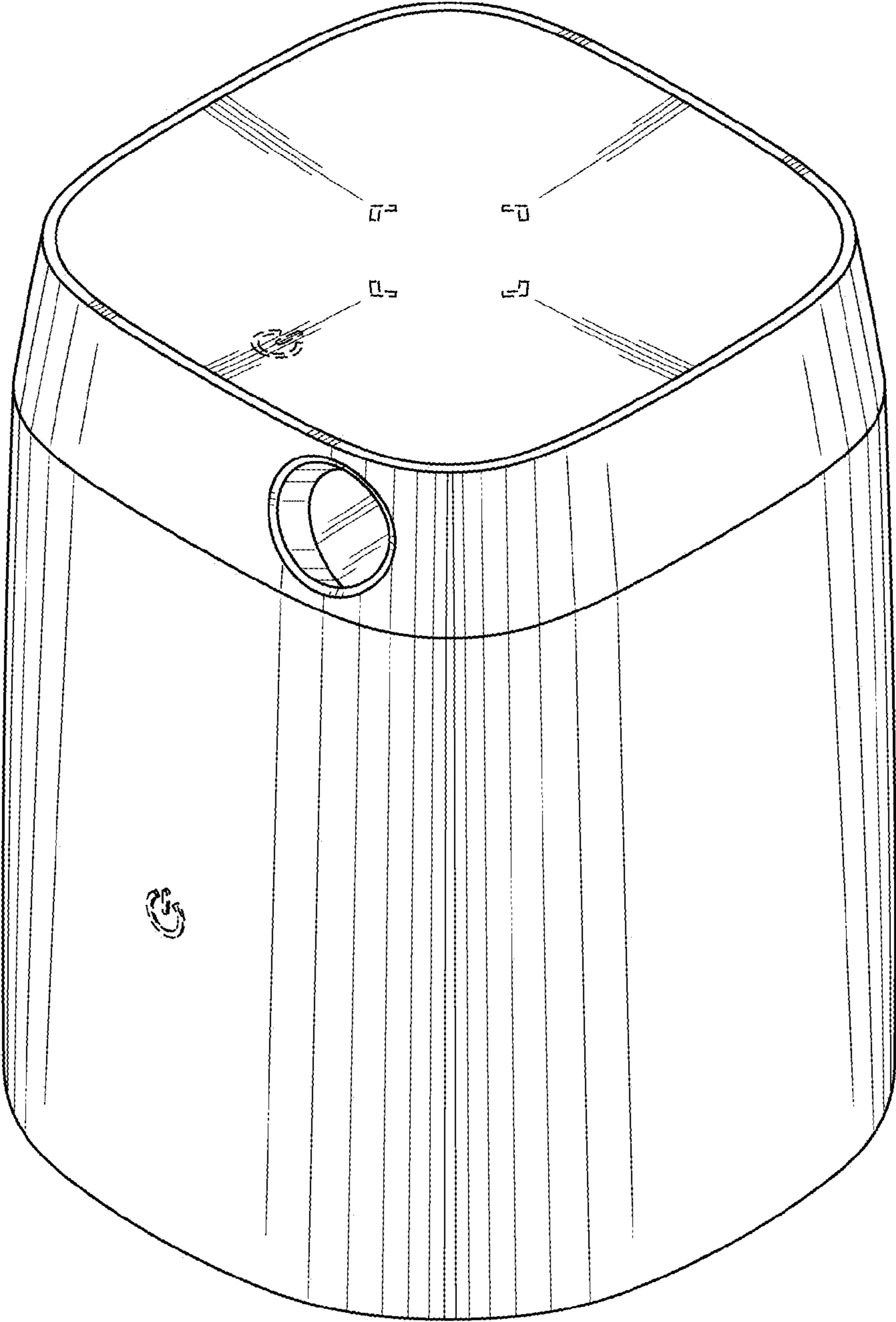


FIG.1

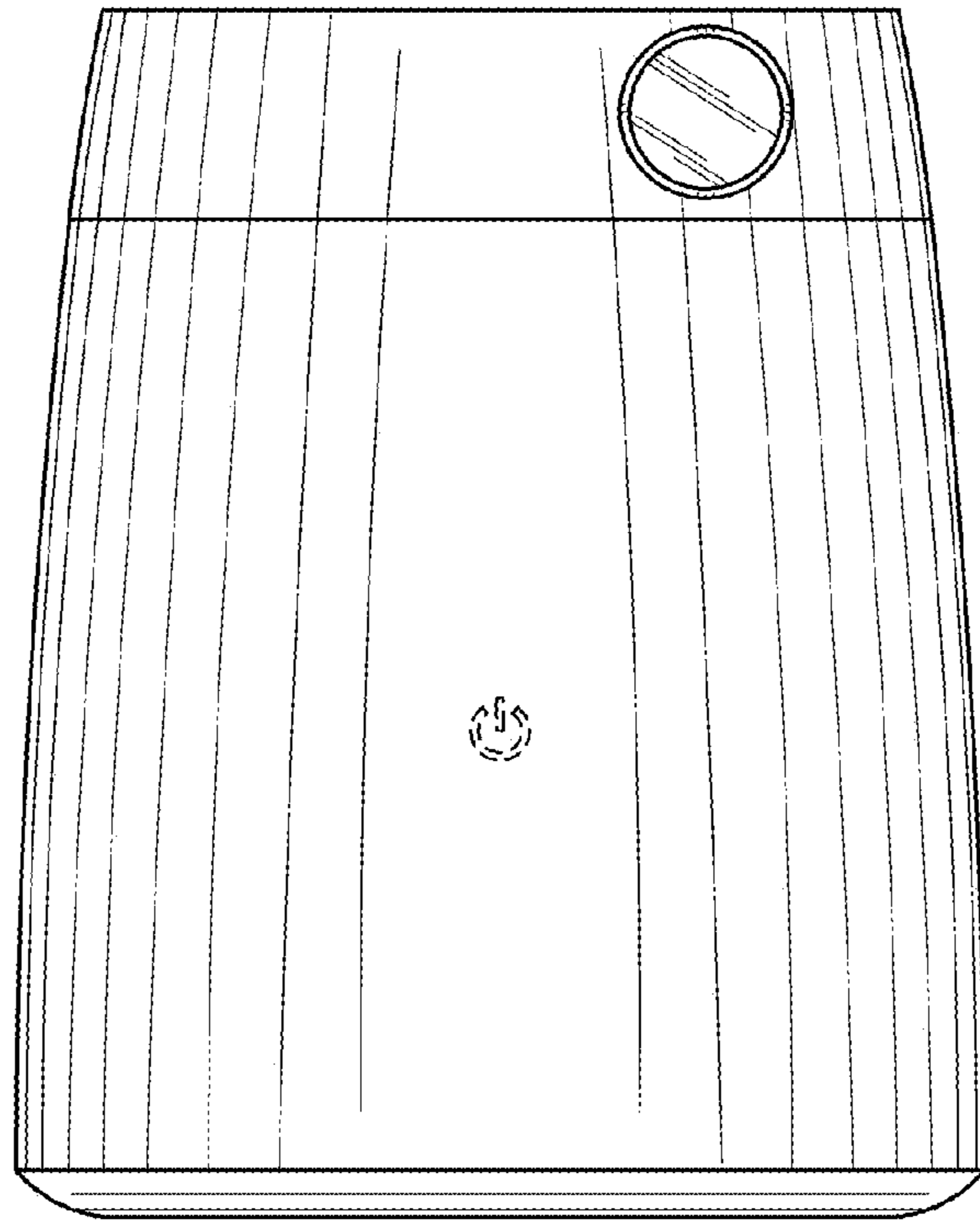


FIG. 2

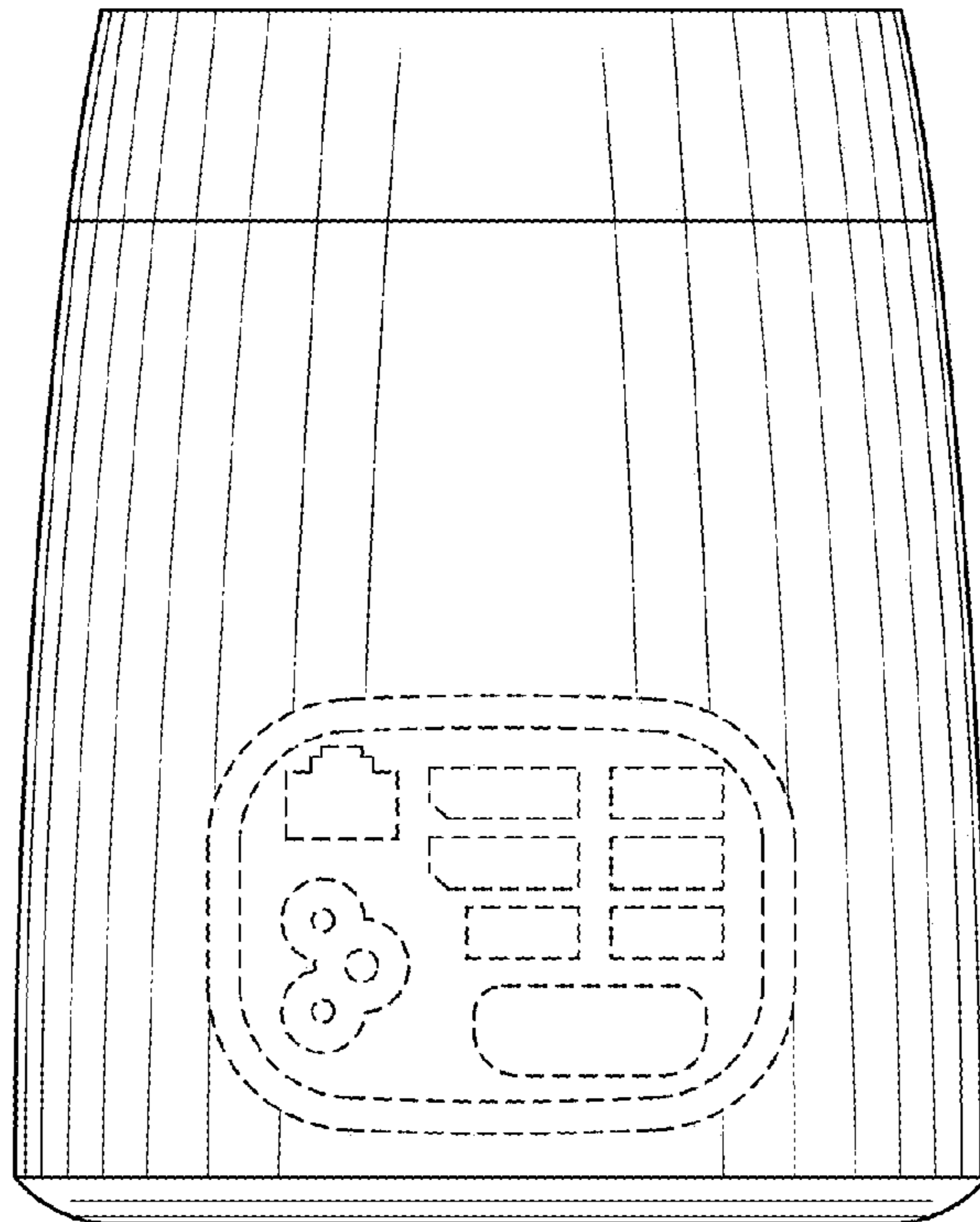


FIG. 3

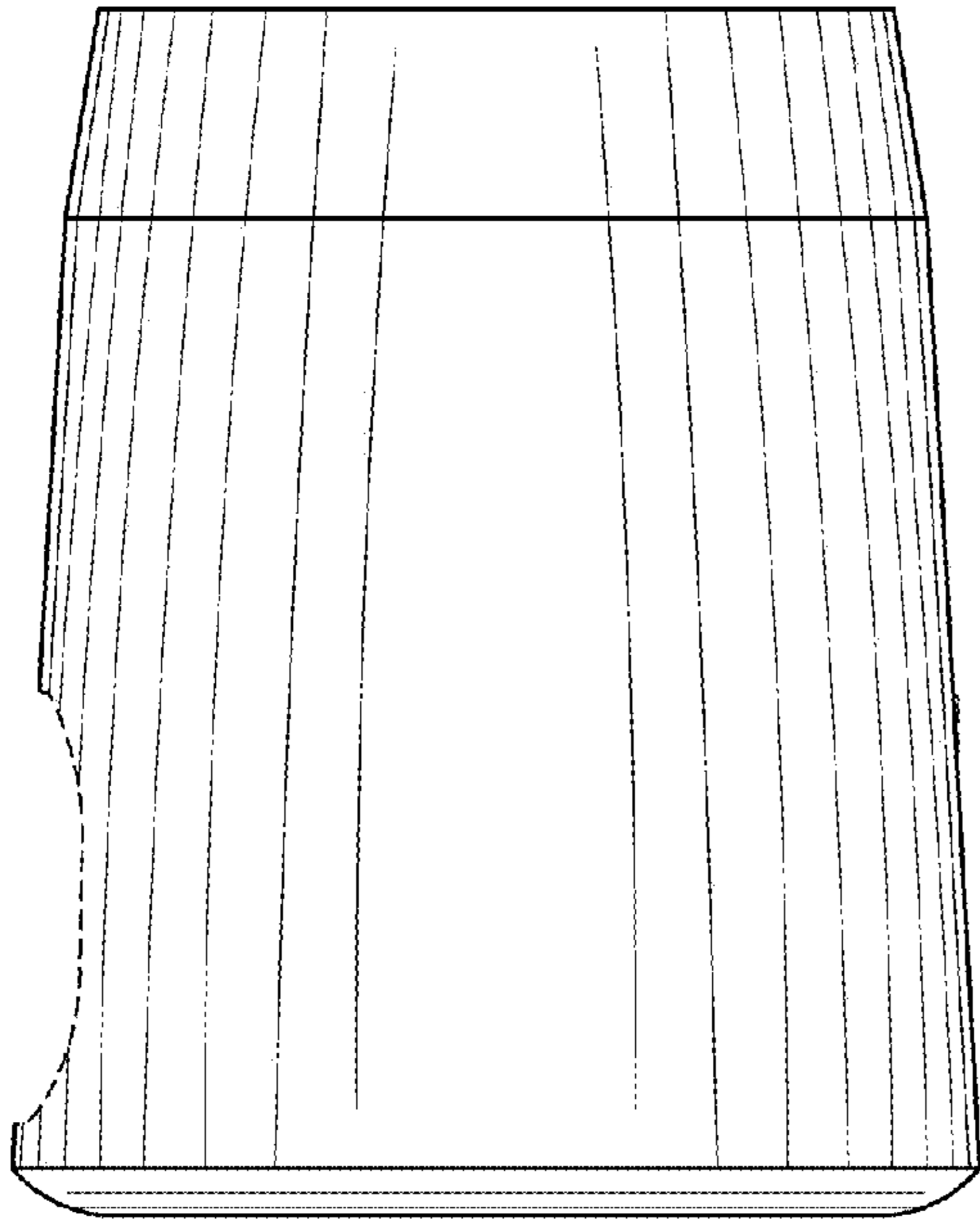


FIG. 4

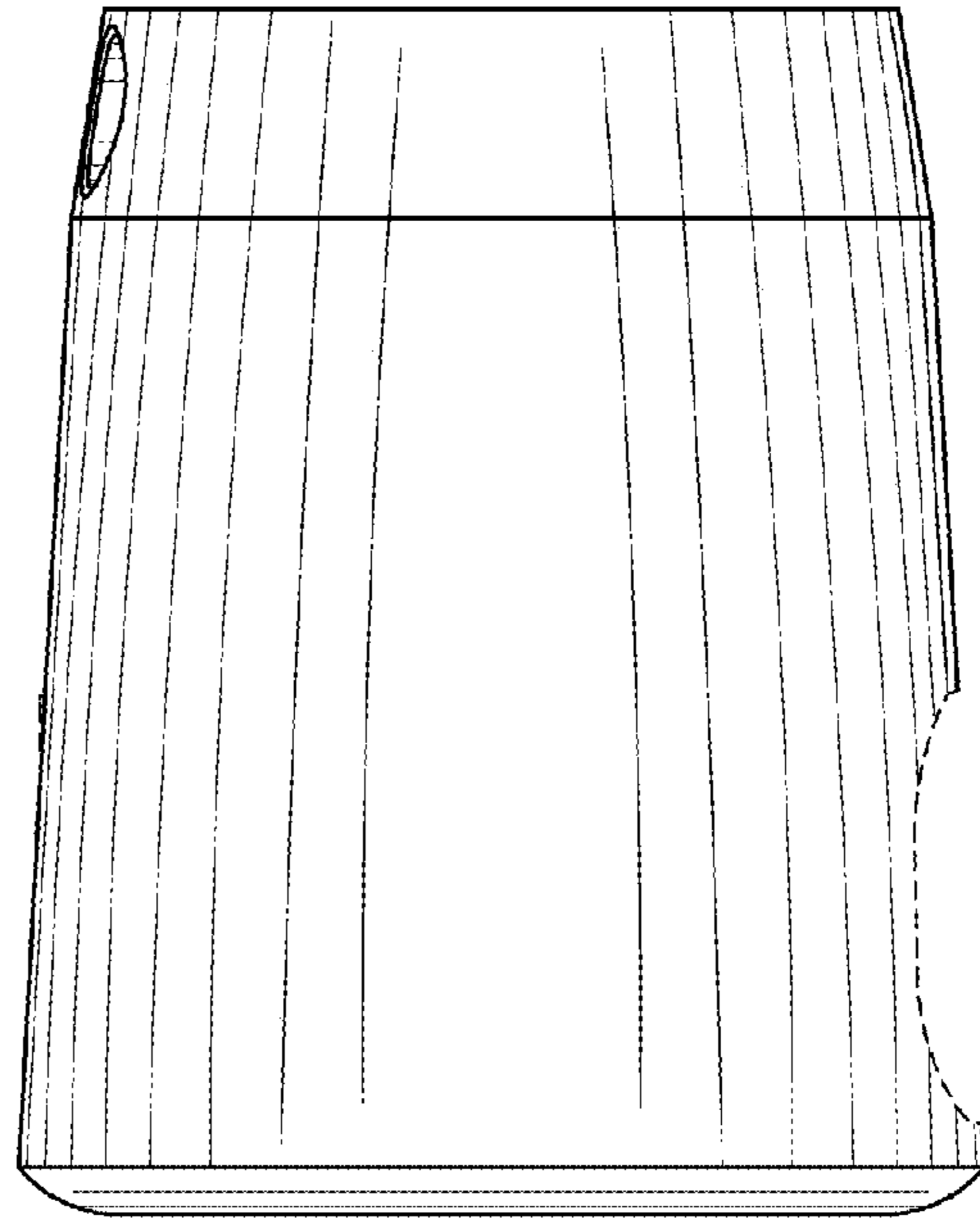


FIG. 5

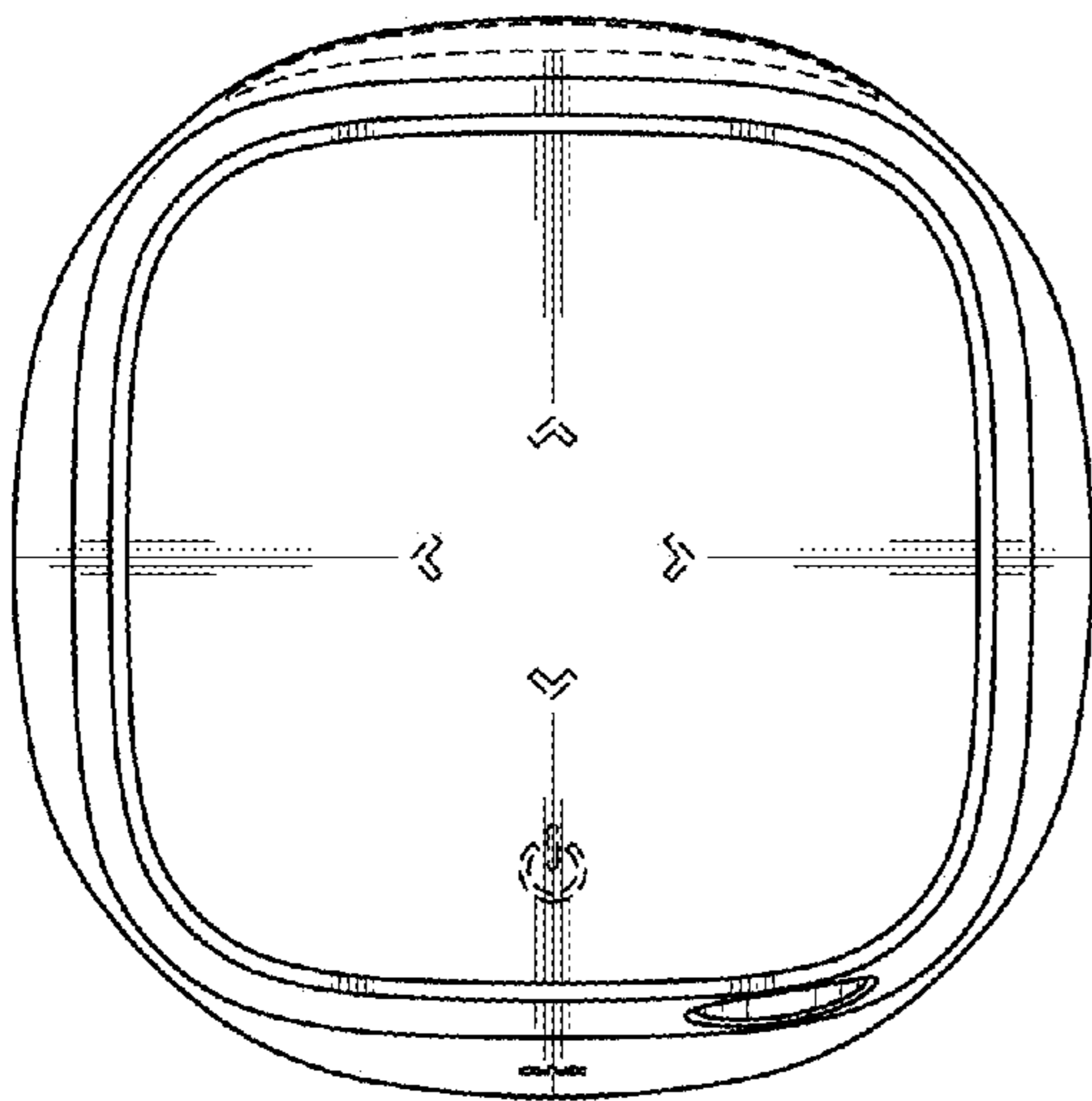


FIG. 6

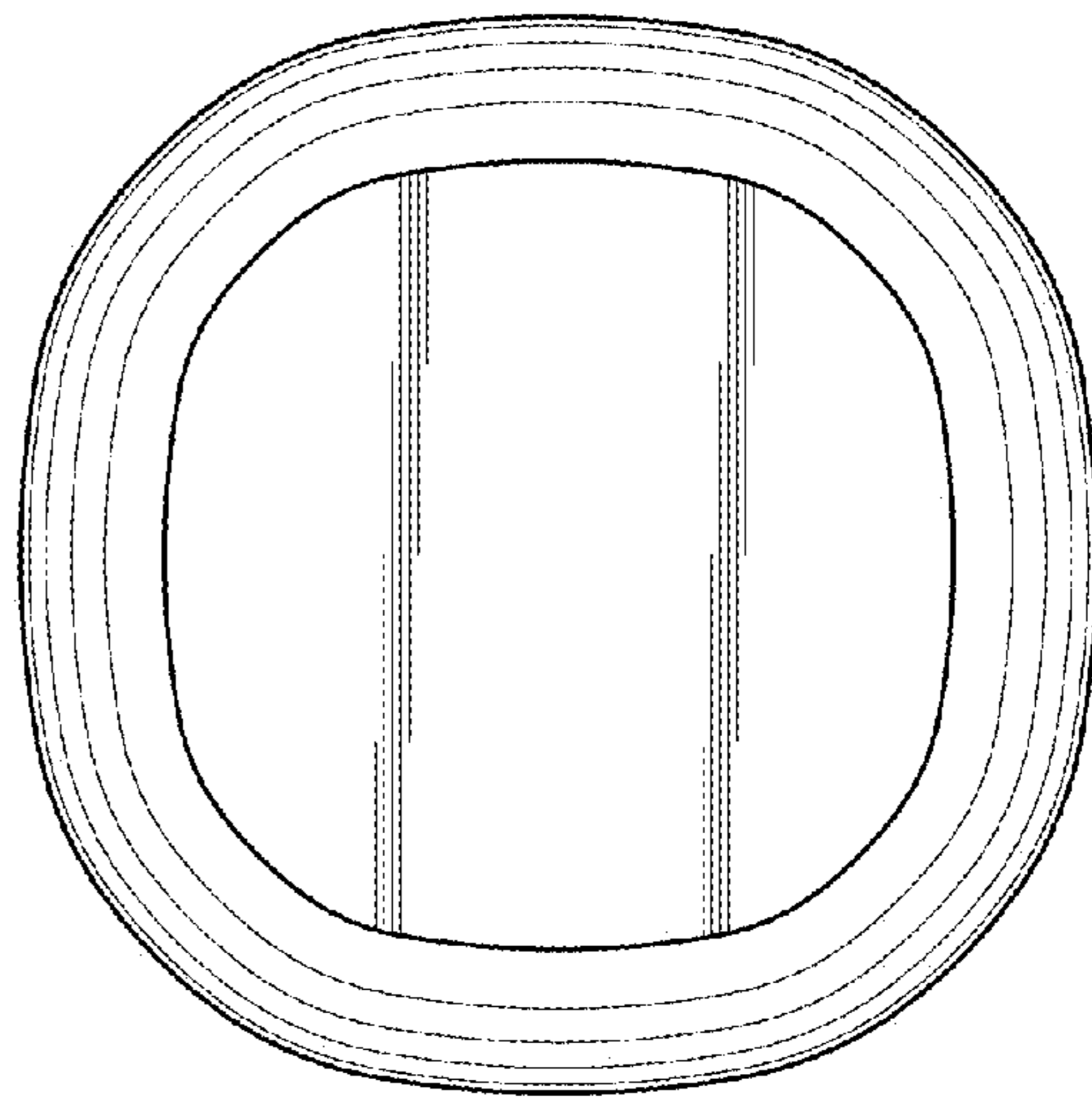


FIG. 7



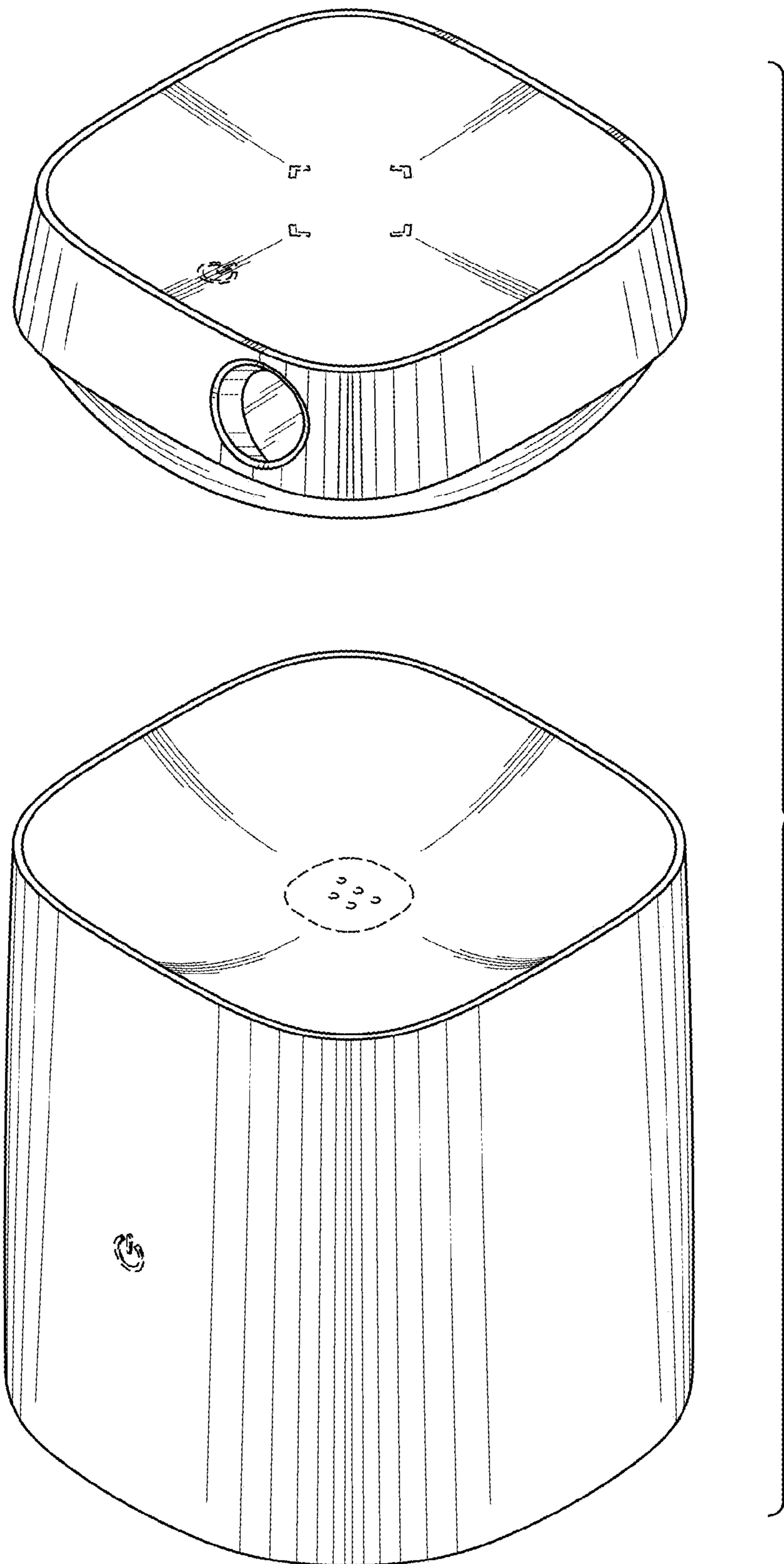


FIG.8

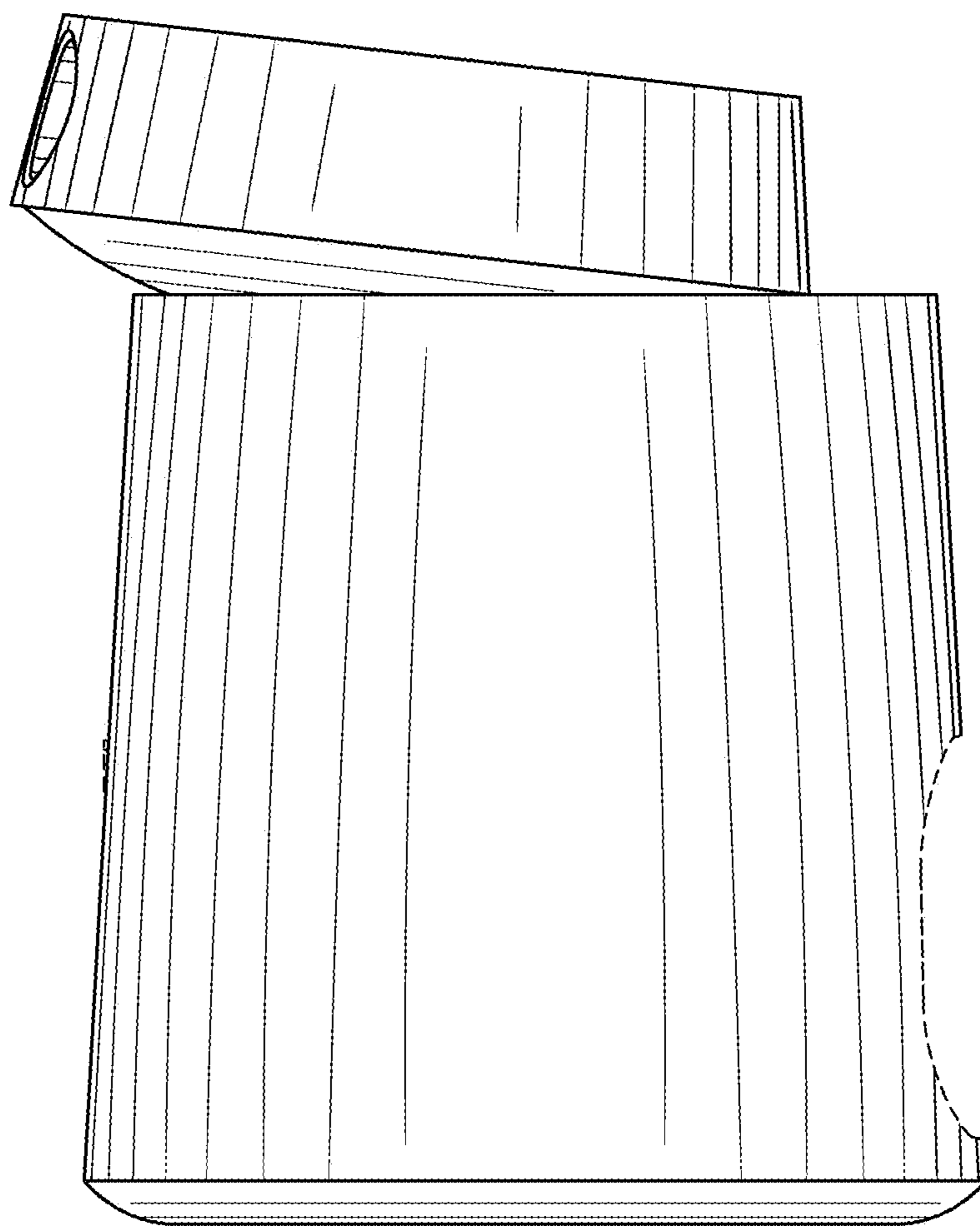


FIG.9