



US00D716285S

(12) **United States Design Patent**
Chaney et al.

(10) **Patent No.:** **US D716,285 S**

(45) **Date of Patent:** **** Oct. 28, 2014**

(54) **ELECTRONIC DEVICE ENCLOSURE**

(71) Applicant: **Hand Held Products, Inc.**, Fort Mill, SC (US)

(72) Inventors: **David E. Chaney**, Lincolnton, NC (US);
Timothy R. Fitch, Syracuse, NY (US);
Qiurong Ma, Shanghai (CN)

(73) Assignee: **Hand Held Products, Inc.**, Fort Mill, SC (US)

(**) Term: **14 Years**

(21) Appl. No.: **29/459,681**

(22) Filed: **Jul. 2, 2013**

Related U.S. Application Data

(63) Continuation of application No. 13/736,139, filed on Jan. 8, 2013.

(51) **LOC (10) Cl.** **14-03**

(52) **U.S. Cl.**
USPC **D14/250**

(58) **Field of Classification Search**
USPC D14/138 AB, 138 AD, 138 G, 230, 240,
D14/247, 248, 250, 253, 341, 38, 346, 440;
D13/103, 108, 119; D3/218, 226;
D10/65; 220/662; 361/679.27, 679.41;
455/557; D18/4.6, 14
See application file for complete search history.

(56) **References Cited**

U.S. PATENT DOCUMENTS

D280,674 S * 9/1985 Nelson D3/226
D325,471 S * 4/1992 McCain et al. D3/226
D337,435 S * 7/1993 Kaneko et al. D3/218
D588,088 S * 3/2009 Mitchell D14/138 AB

D588,146 S * 3/2009 Tsuboi D14/474
D593,319 S * 6/2009 Richardson et al. D3/218
D603,602 S * 11/2009 Richardson et al. D3/218
D659,138 S * 5/2012 Hsu et al. D14/385
D659,564 S * 5/2012 Baxter D10/65
D665,735 S * 8/2012 Kang et al. D13/108
D670,278 S * 11/2012 Hamann D14/250
D672,386 S * 12/2012 Matunuma et al. D18/4.6
D678,936 S * 3/2013 Oliver D18/14
D696,234 S * 12/2013 Wright D14/250

* cited by examiner

Primary Examiner — Thomas Johannes

Assistant Examiner — Chelsea Sealey

(74) *Attorney, Agent, or Firm* — Additon, Higgins & Pendleton, P.A.

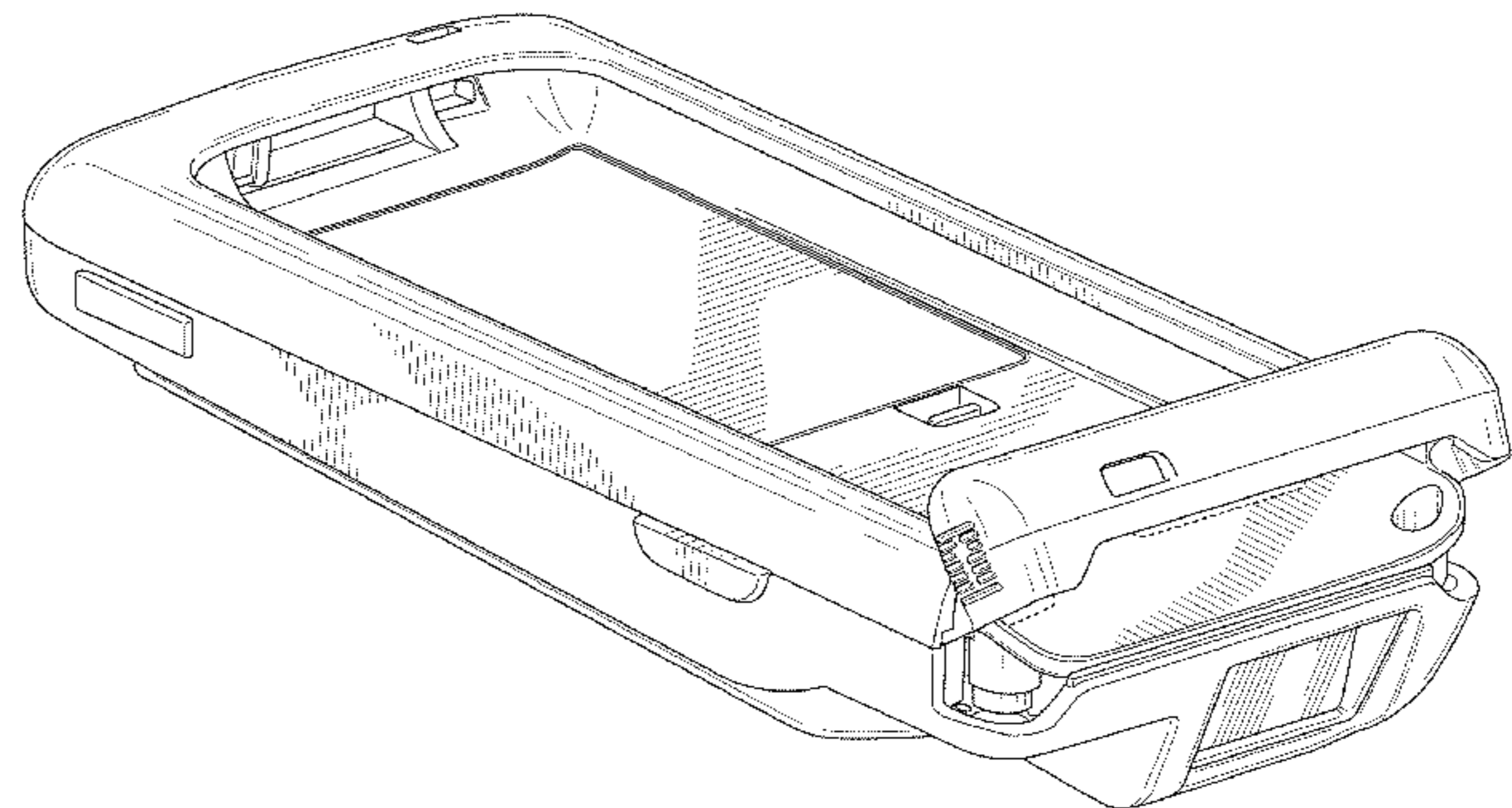
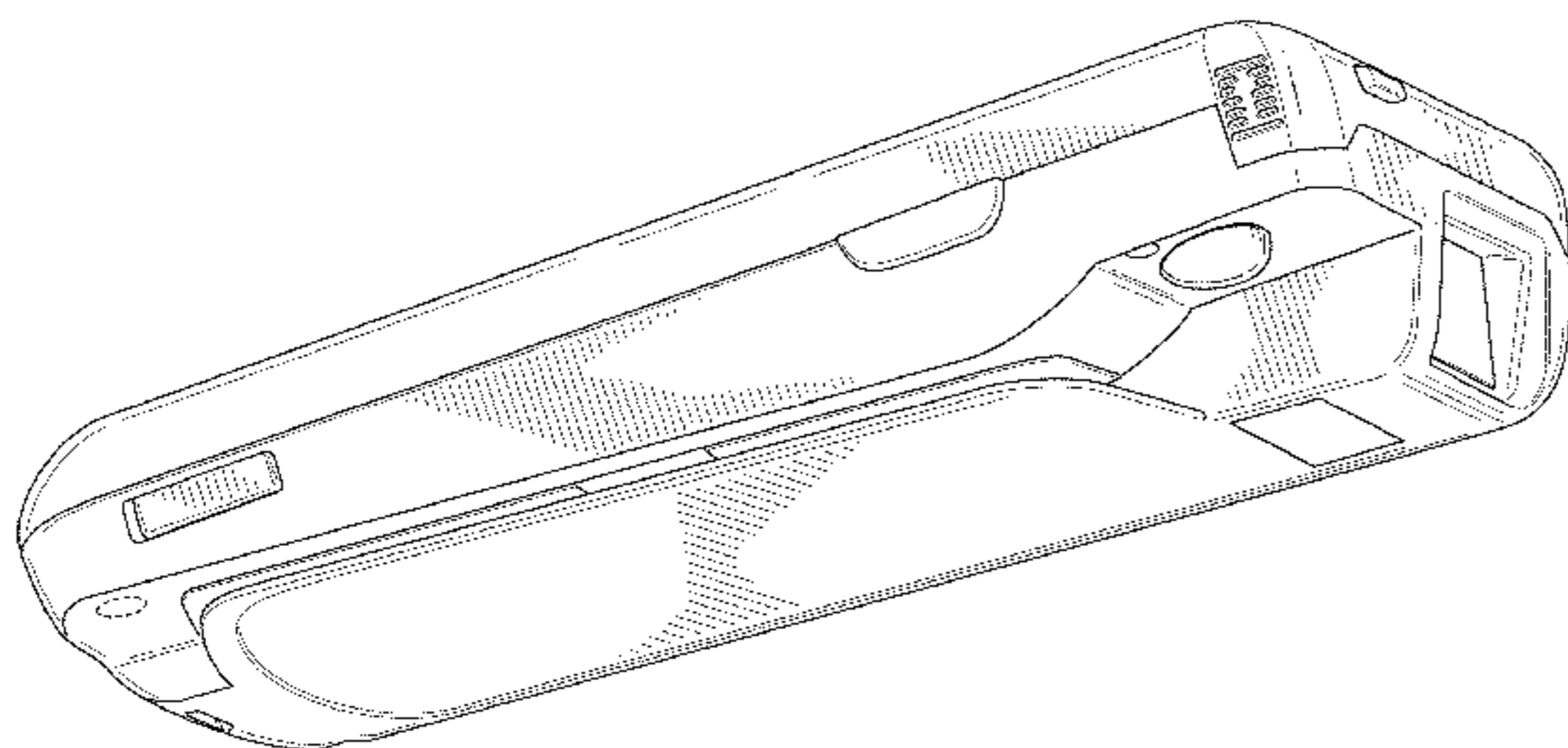
(57) **CLAIM**

The ornamental design for an electronic device enclosure, as shown and described.

DESCRIPTION

FIG. 1 is a perspective view of an electronic device enclosure showing our new design;
FIG. 2 is a front elevation view thereof;
FIG. 3 is a rear elevation view thereof;
FIG. 4 is a left side elevation view thereof;
FIG. 5 is a right side elevation view thereof;
FIG. 6 is a top plan view thereof;
FIG. 7 is a bottom plan view thereof;
FIG. 8 is another perspective view thereof;
FIG. 9 is another perspective view of an electronic device enclosure's door in an open position;
FIG. 10 is a perspective view of an electronic device enclosure's door removed for clarity of illustration; and,
FIG. 11 is another perspective view of FIG. 10 thereof.
The portions of the article in broken line indicate unclaimed subject matter that forms no part of the claimed design.

1 Claim, 11 Drawing Sheets



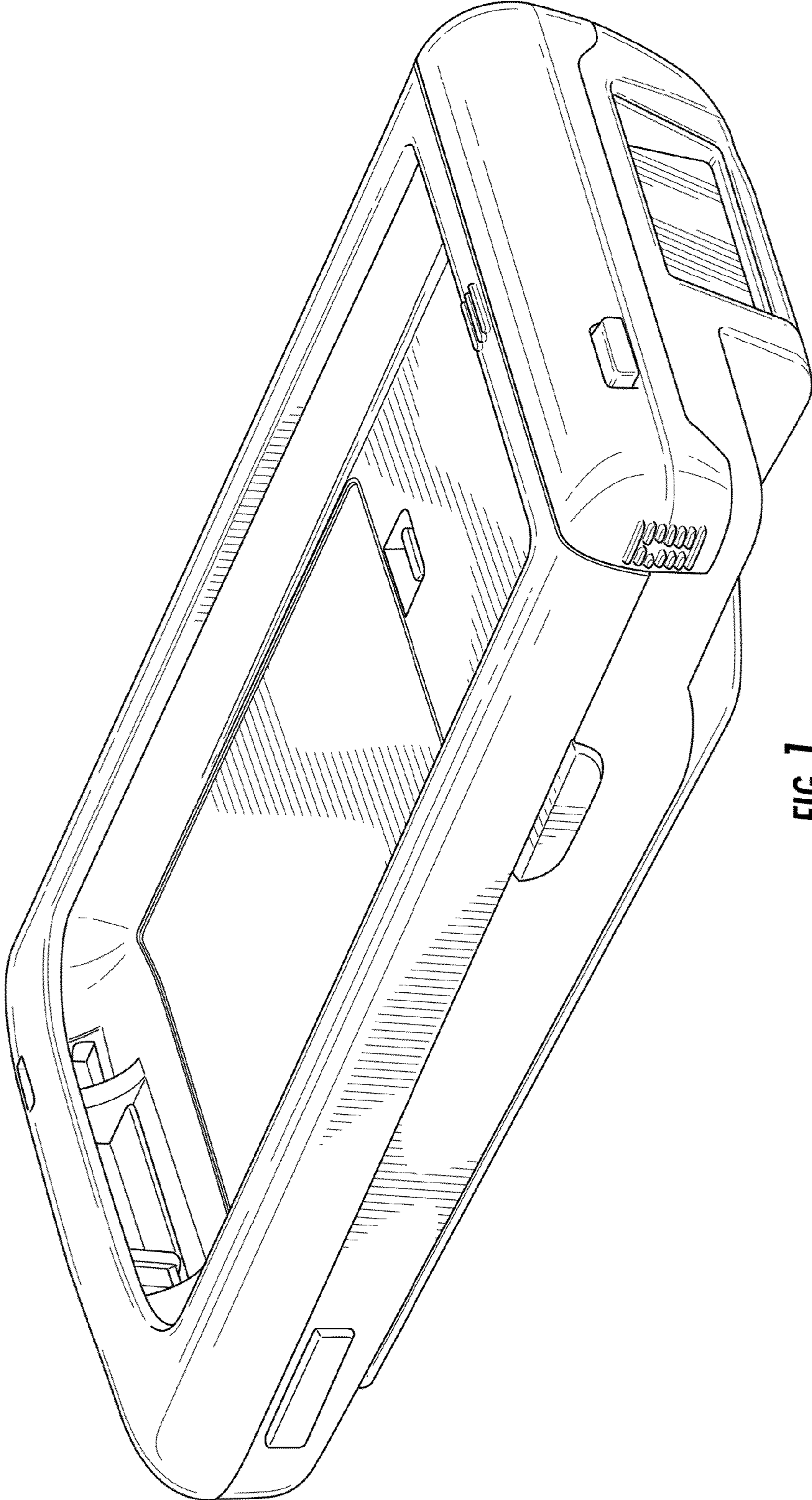


FIG. 1

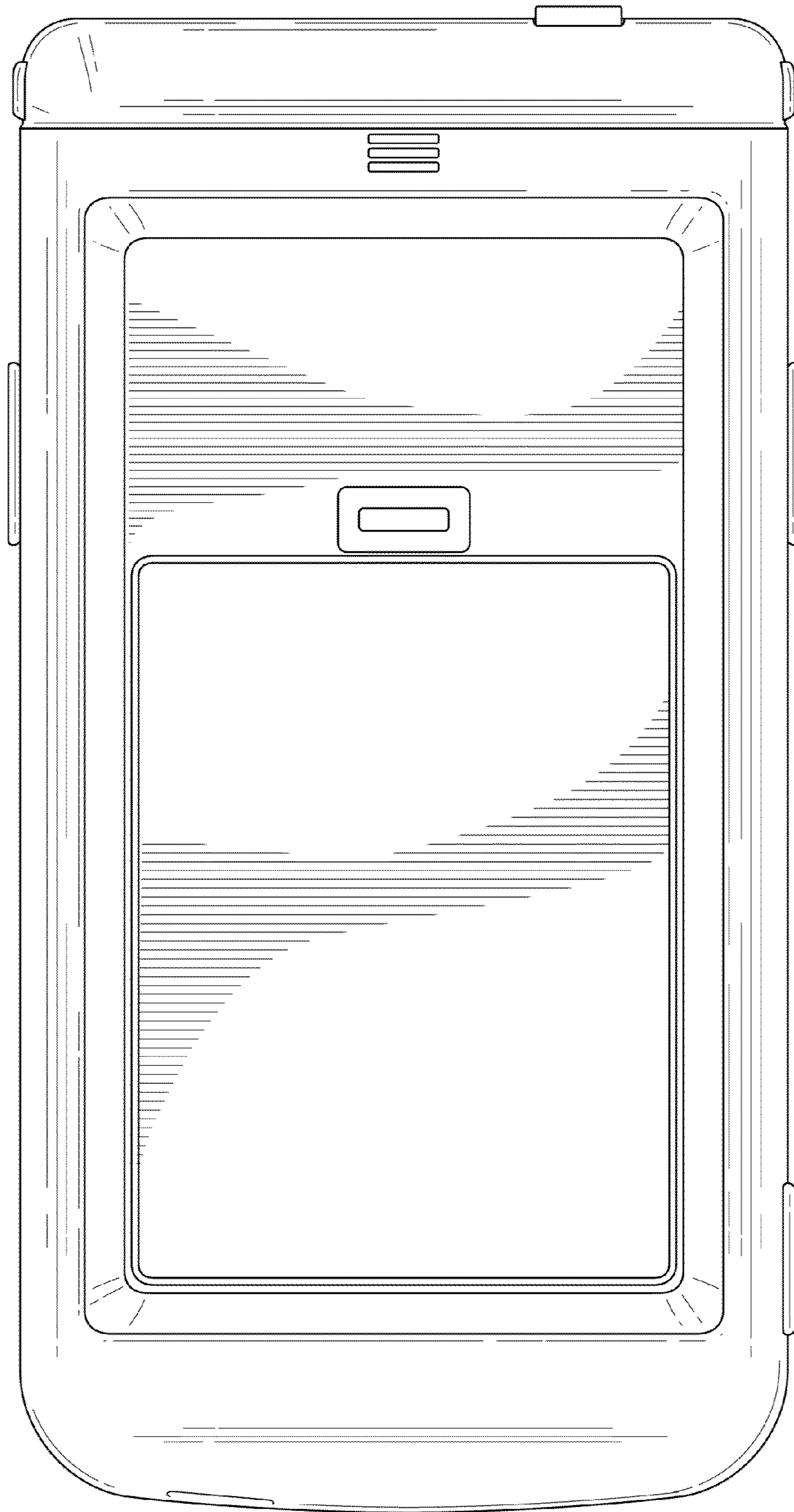


FIG. 2

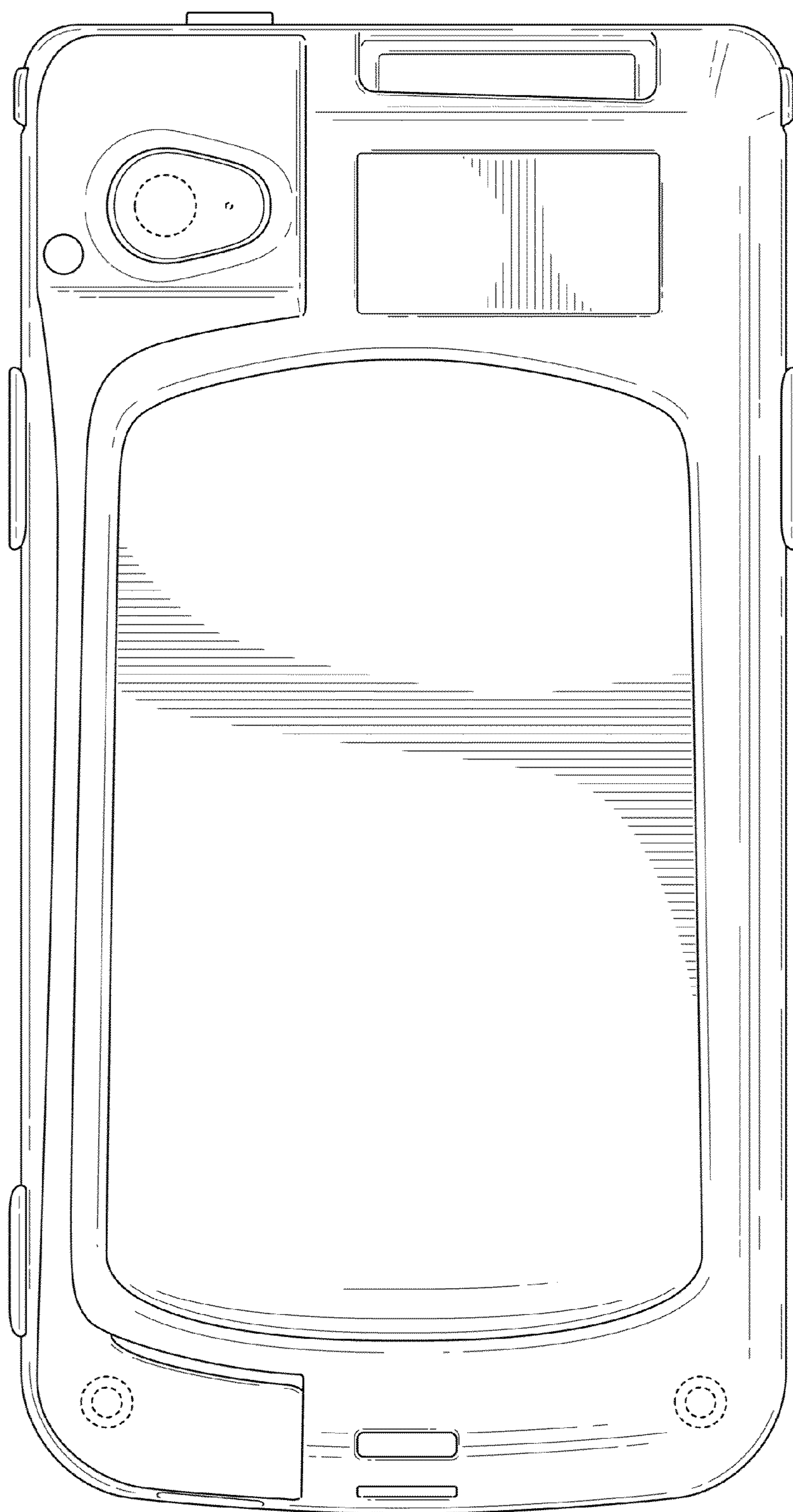


FIG. 3

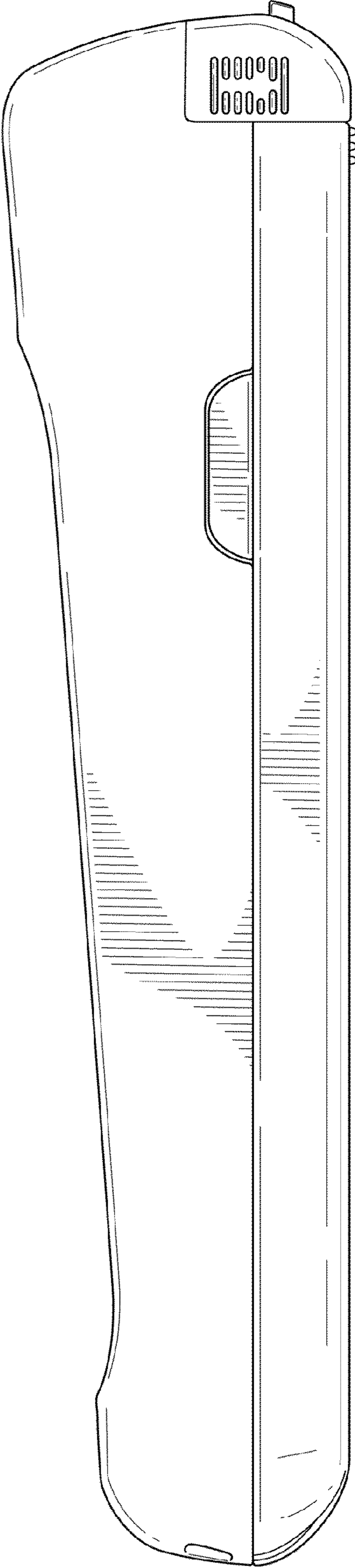


FIG. 4

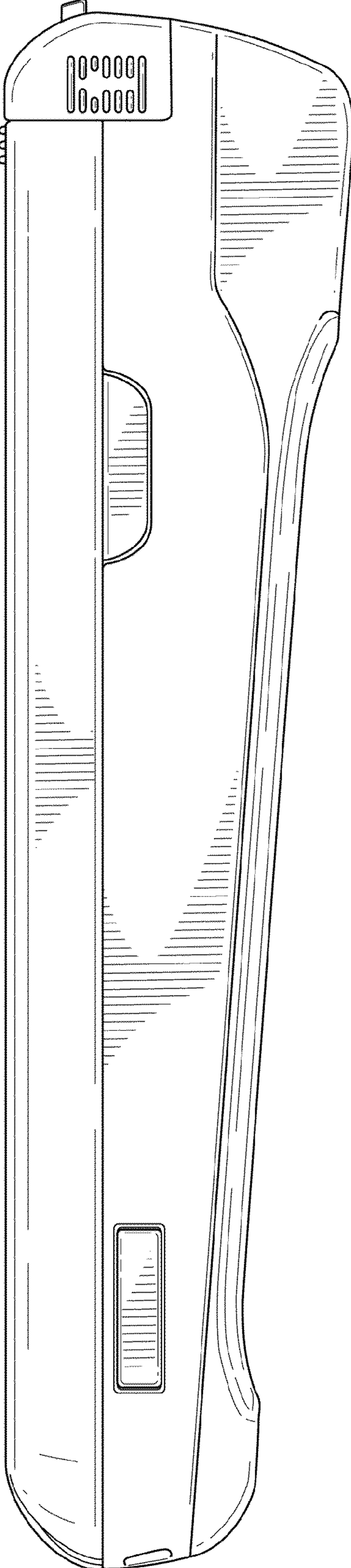


FIG. 5

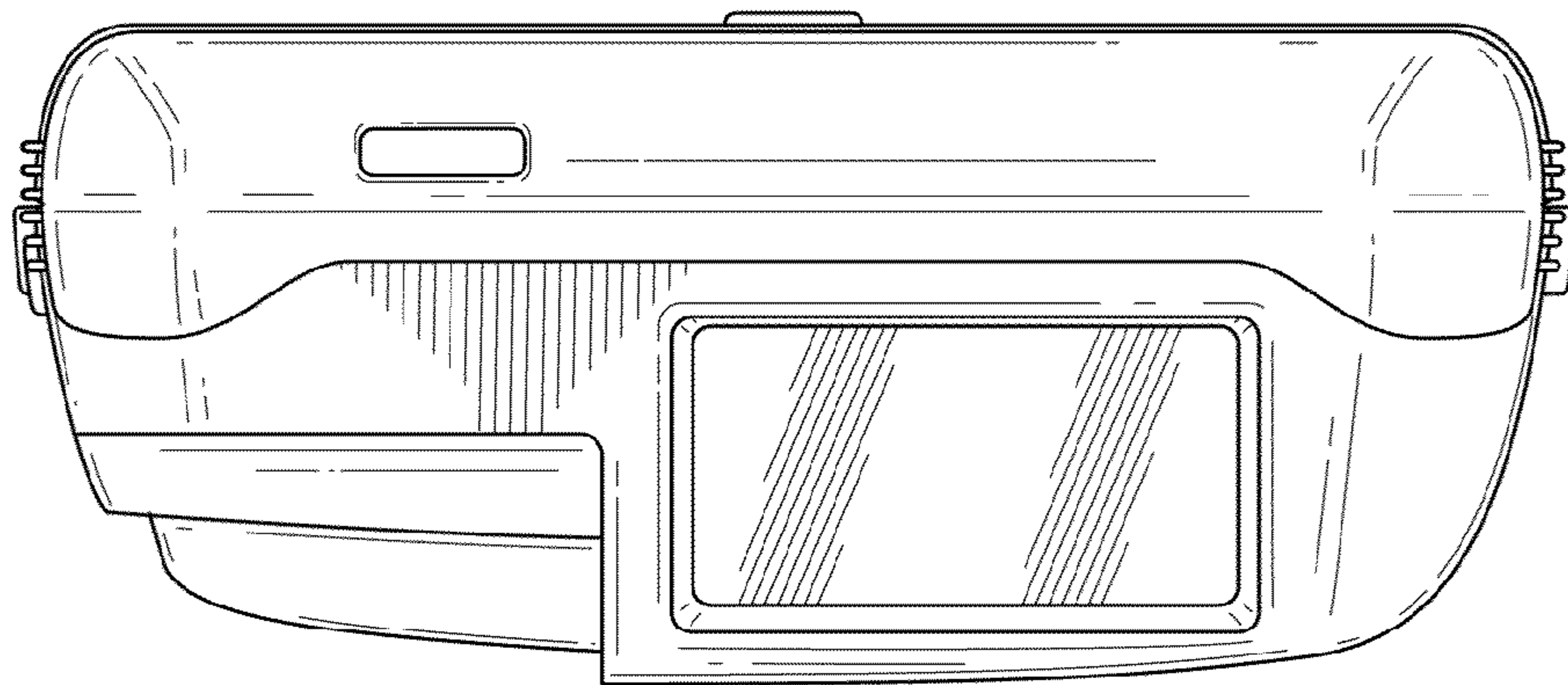


FIG. 6

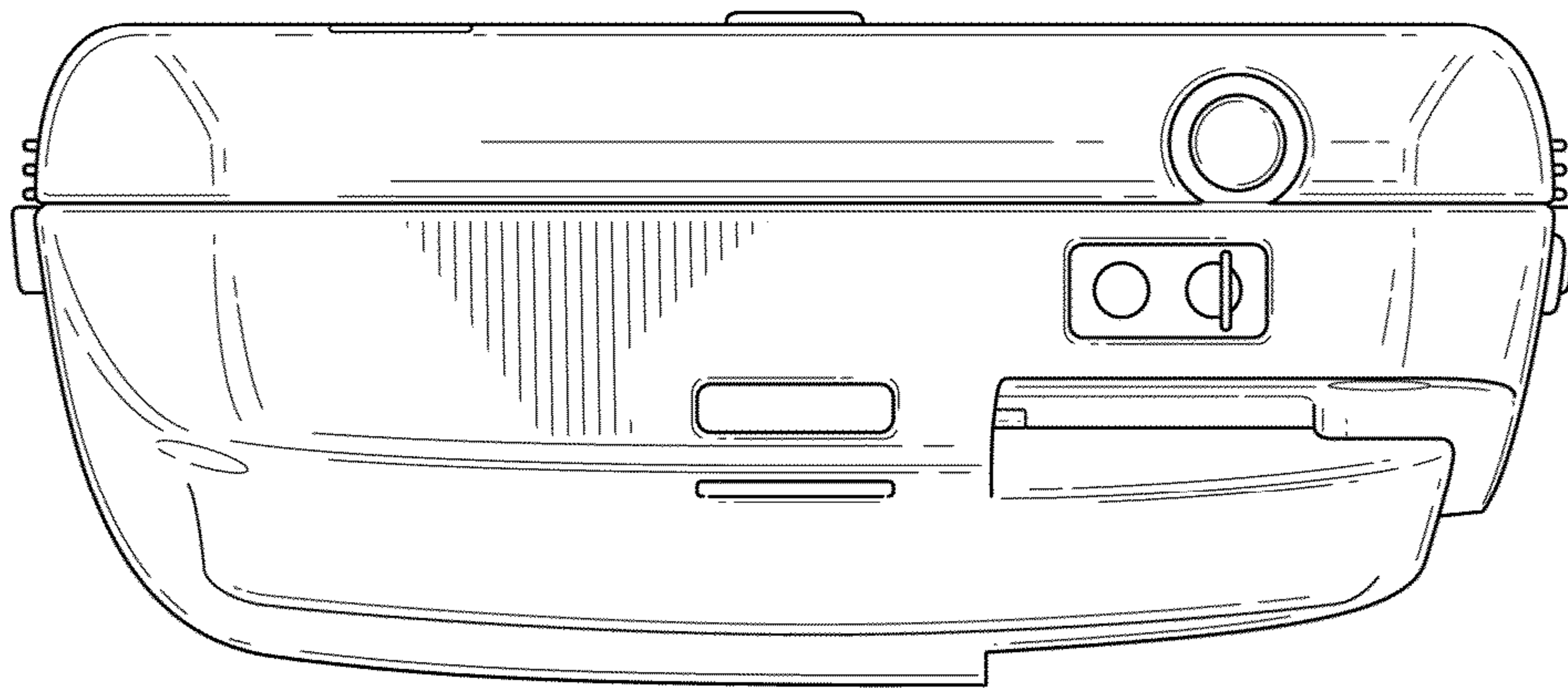


FIG. 7

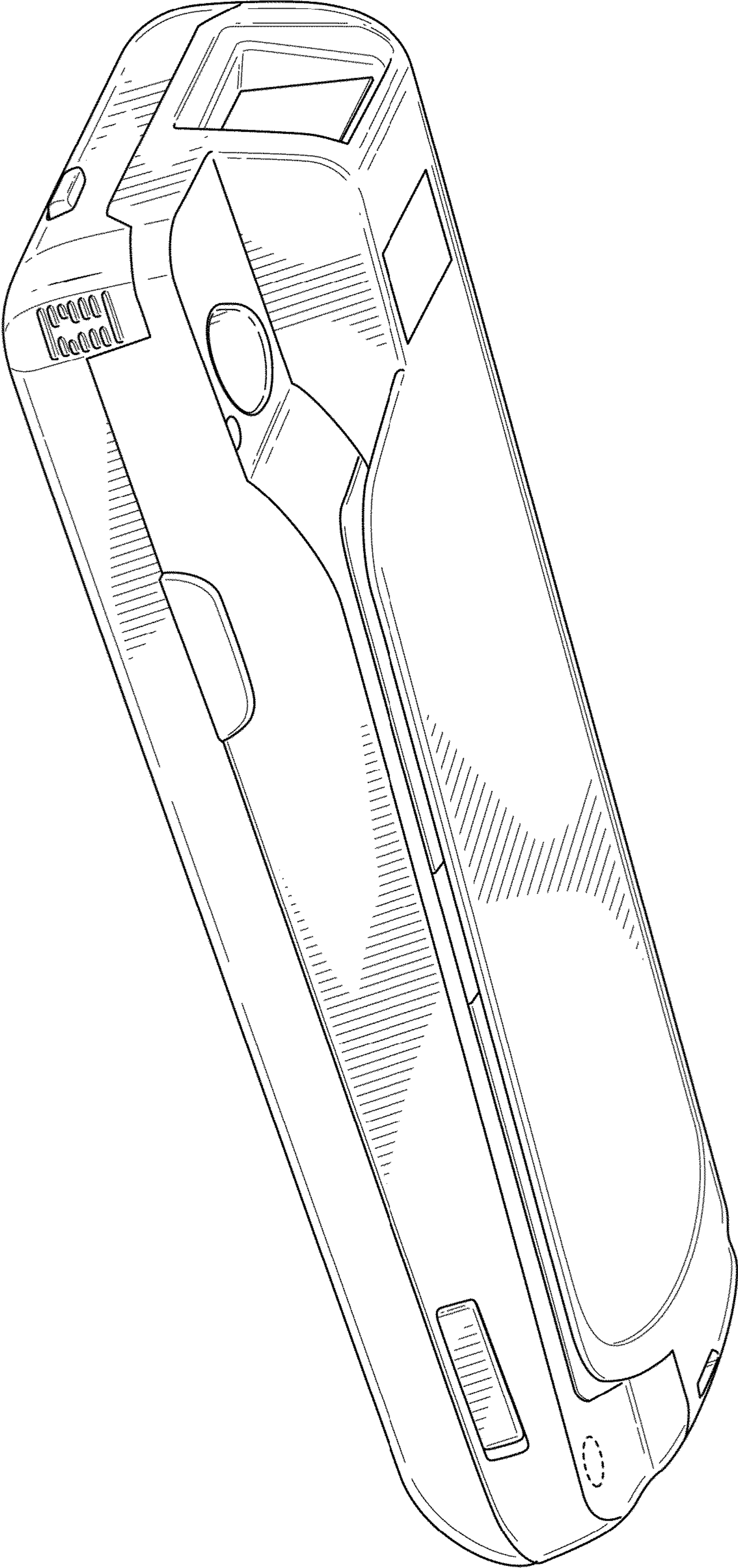


FIG. 8

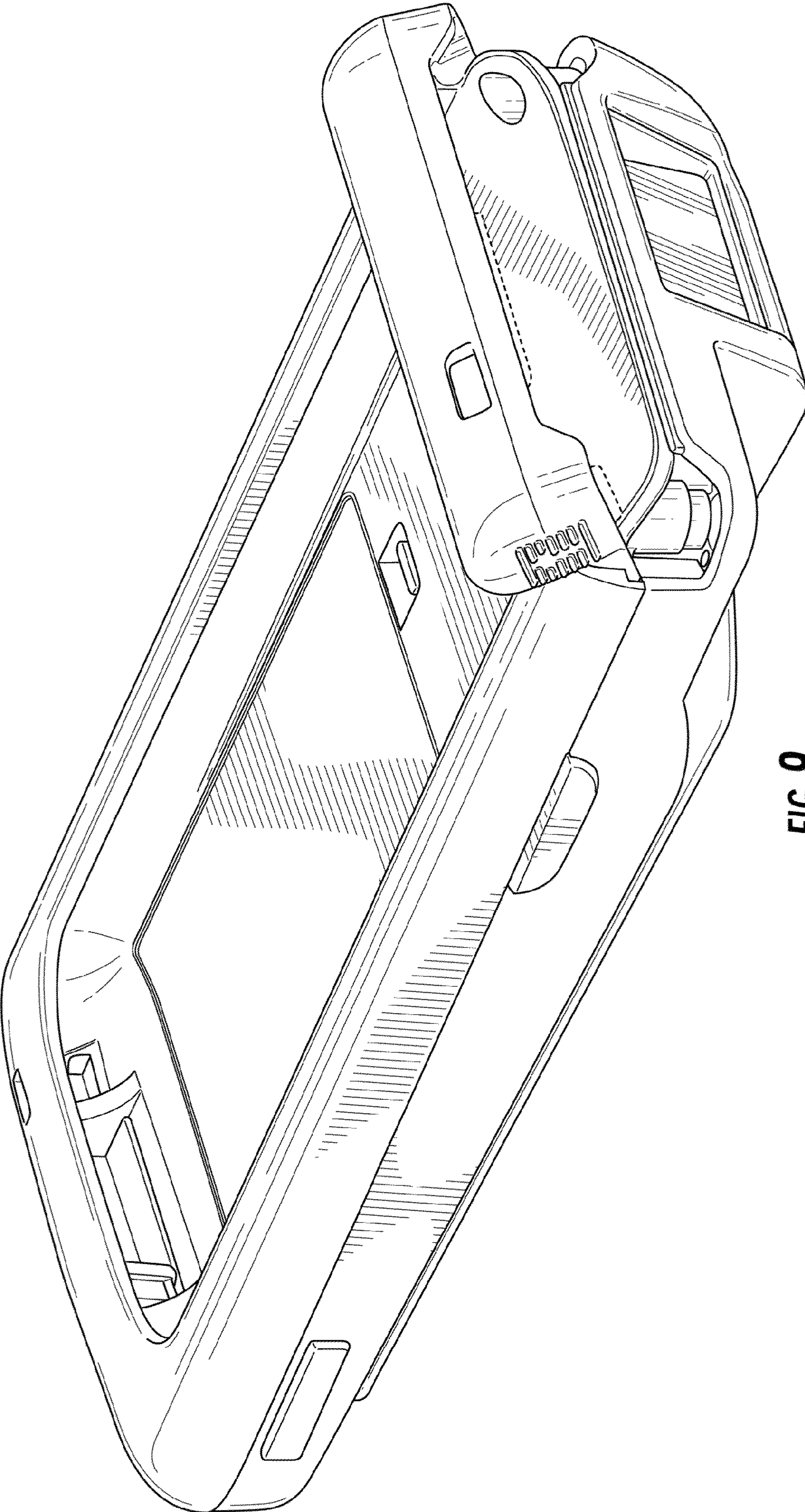


FIG. 9

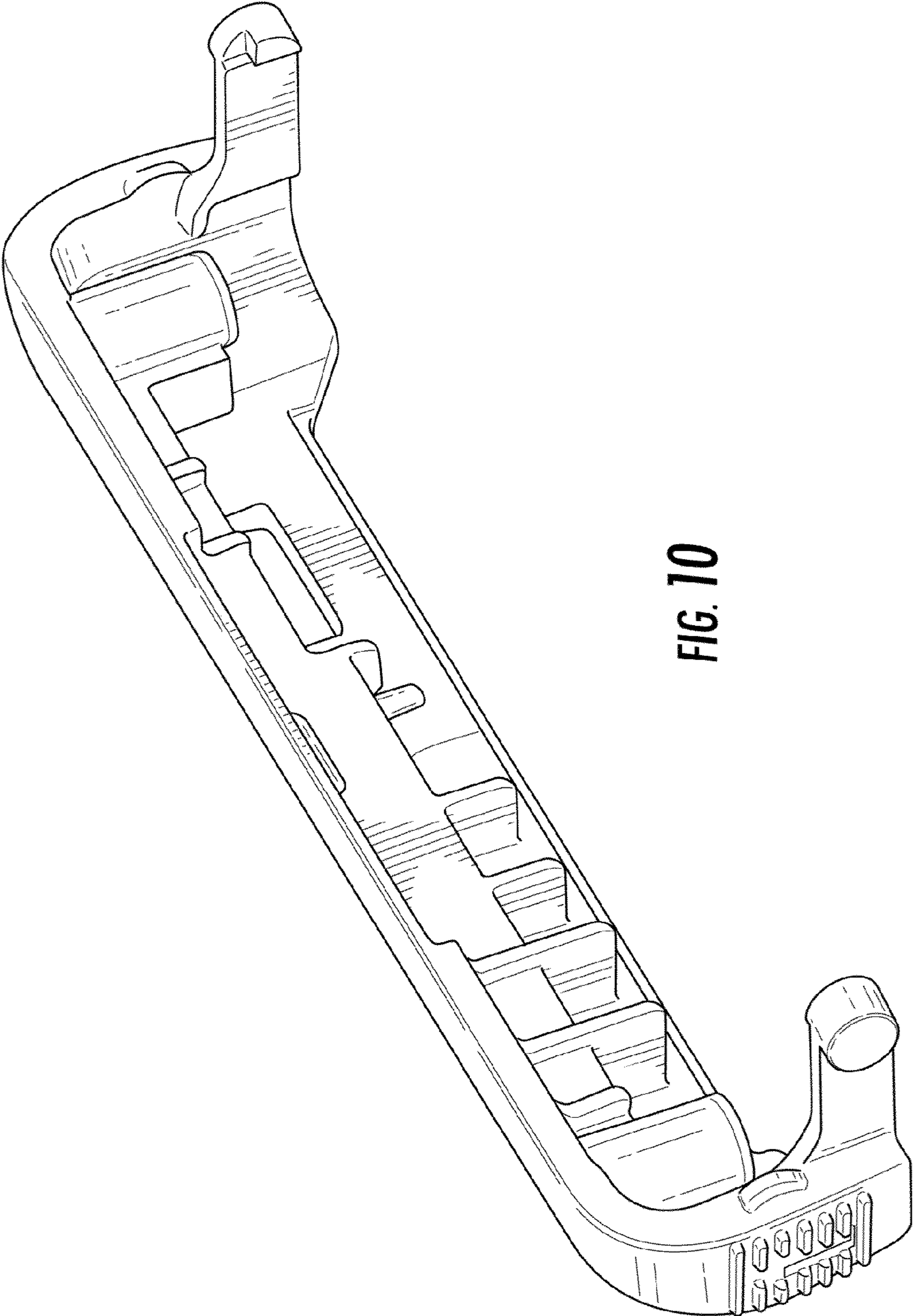


FIG. 10

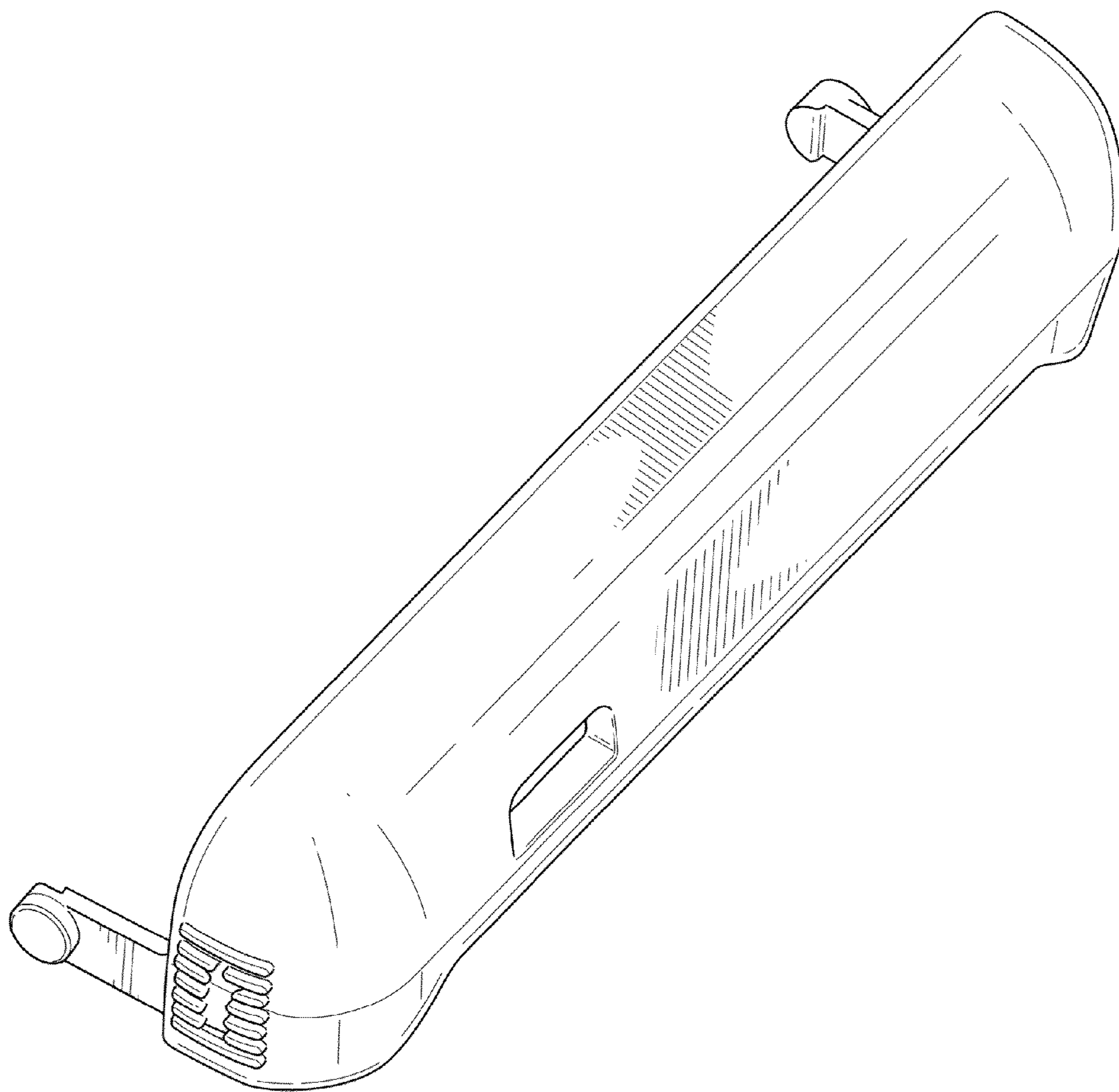


FIG. 11