



US00D716284S

(12) **United States Design Patent**  
**Melanson et al.**

(10) **Patent No.:** **US D716,284 S**  
(45) **Date of Patent:** **\*\* Oct. 28, 2014**

(54) **CASE FOR ELECTRONIC DEVICE**

(71) Applicants: **Christopher Melanson**, Fort Collins, CO (US); **Patrick Nelson**, Fort Collins, CO (US)

(72) Inventors: **Christopher Melanson**, Fort Collins, CO (US); **Patrick Nelson**, Fort Collins, CO (US)

(73) Assignee: **Otter Products, LLC**, Fort Collins, CO (US)

(\*\*) Term: **14 Years**

(21) Appl. No.: **29/441,657**

(22) Filed: **Jan. 8, 2013**

(51) **LOC (10) Cl.** ..... **14-03**

(52) **U.S. Cl.**  
USPC ..... **D14/250**

(58) **Field of Classification Search**  
USPC ..... D14/138 AA, 138 AD, 138 C, 138 G, D14/203.3, 230, 238.1, 240, 247, 248, 250, D14/253, 341, 345, 346, 356, 439, 440, 447, D14/496; D13/103, 107, 119; D3/201, 218, D3/269, 273, 303; 206/37, 320; 455/456.1, 455/575.1, 575.4, 575.8

See application file for complete search history.

(56) **References Cited**

U.S. PATENT DOCUMENTS

D390,531 S *	2/1998	Schumacher	.....	D13/103
D623,652 S *	9/2010	Hsu	.....	D14/439
D644,215 S *	8/2011	Dong	.....	D14/250
D662,925 S *	7/2012	Mayberry et al.	.....	D14/250
D670,912 S *	11/2012	Bau	.....	D3/303
D673,553 S *	1/2013	Weller et al.	.....	D14/250
D674,792 S *	1/2013	Magness		
D681,621 S *	5/2013	Magness	.....	D14/250
D681,622 S *	5/2013	Melanson et al.	.....	D14/250
D684,149 S *	6/2013	Chang et al.	.....	D14/250
D688,233 S *	8/2013	Dong	.....	D14/250

\* cited by examiner

*Primary Examiner* — Thomas Johannes  
*Assistant Examiner* — Chelsea Sealey

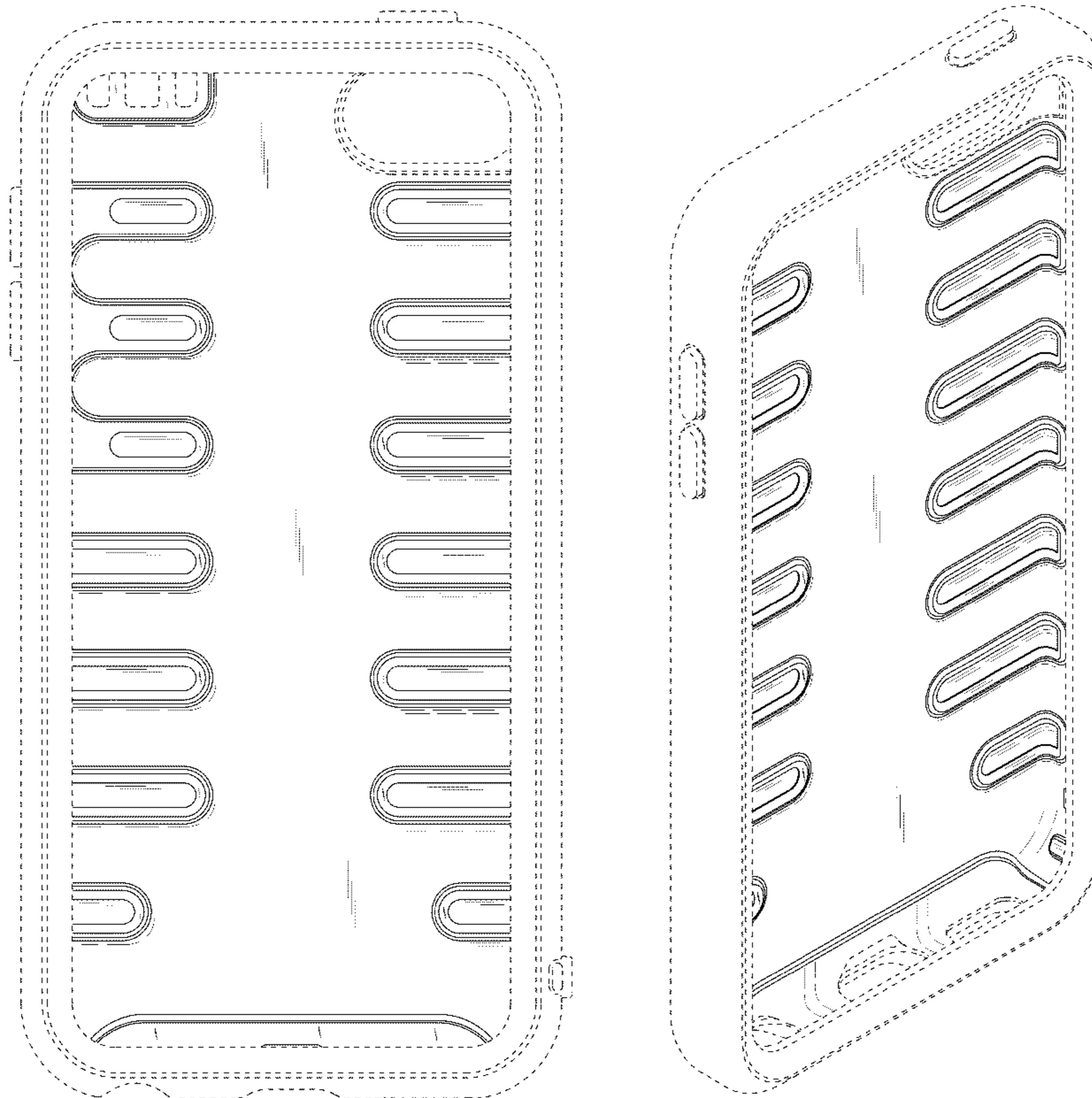
(57) **CLAIM**

The ornamental design for a case for electronic device, as shown and described.

**DESCRIPTION**

FIG. 1 is a first front isometric view of a case for electronic device showing our new design; FIG. 2 is a front view thereof; FIG. 3 is a second front isometric view thereof; and, FIG. 4 is a rear isometric view. The broken lines depict unclaimed environment. The broken lines form no part of the claimed design.

**1 Claim, 4 Drawing Sheets**



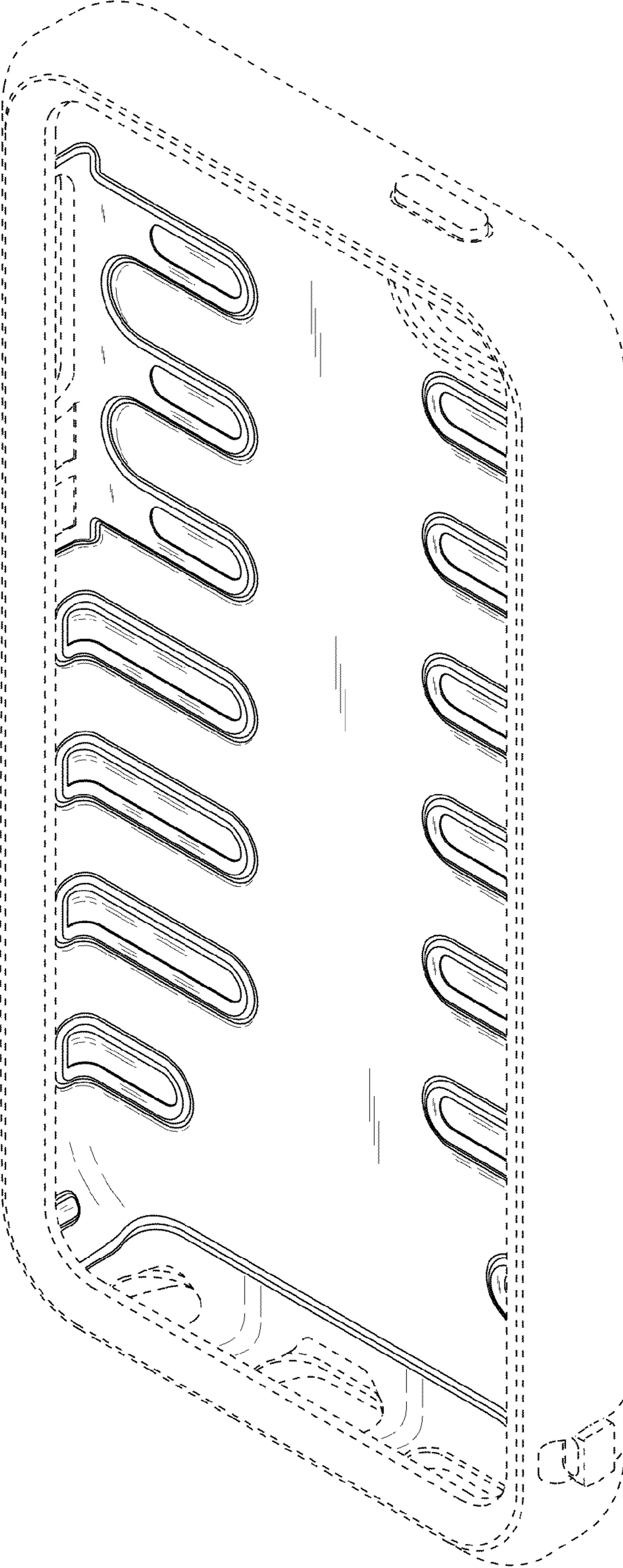


FIG. 1

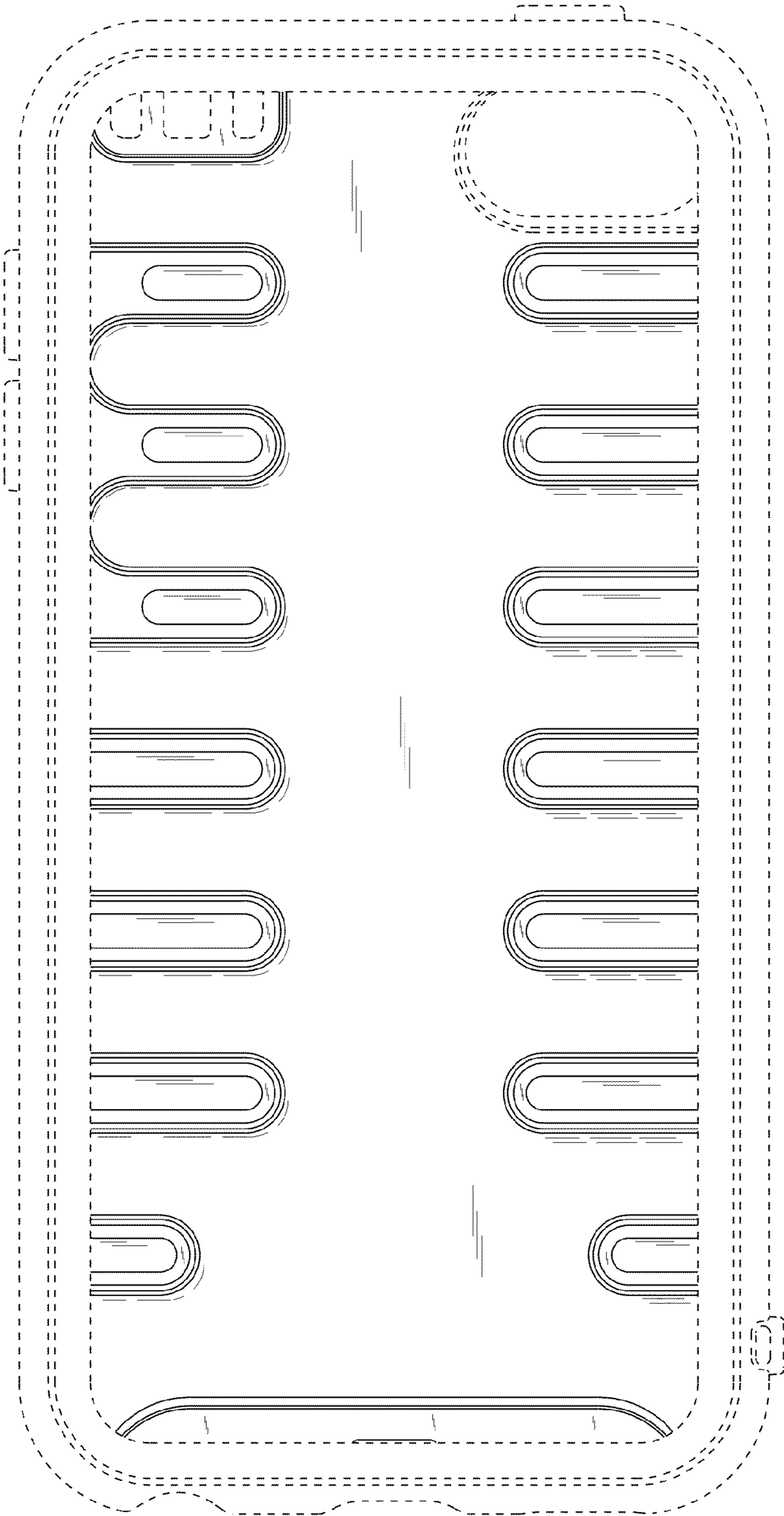


FIG. 2



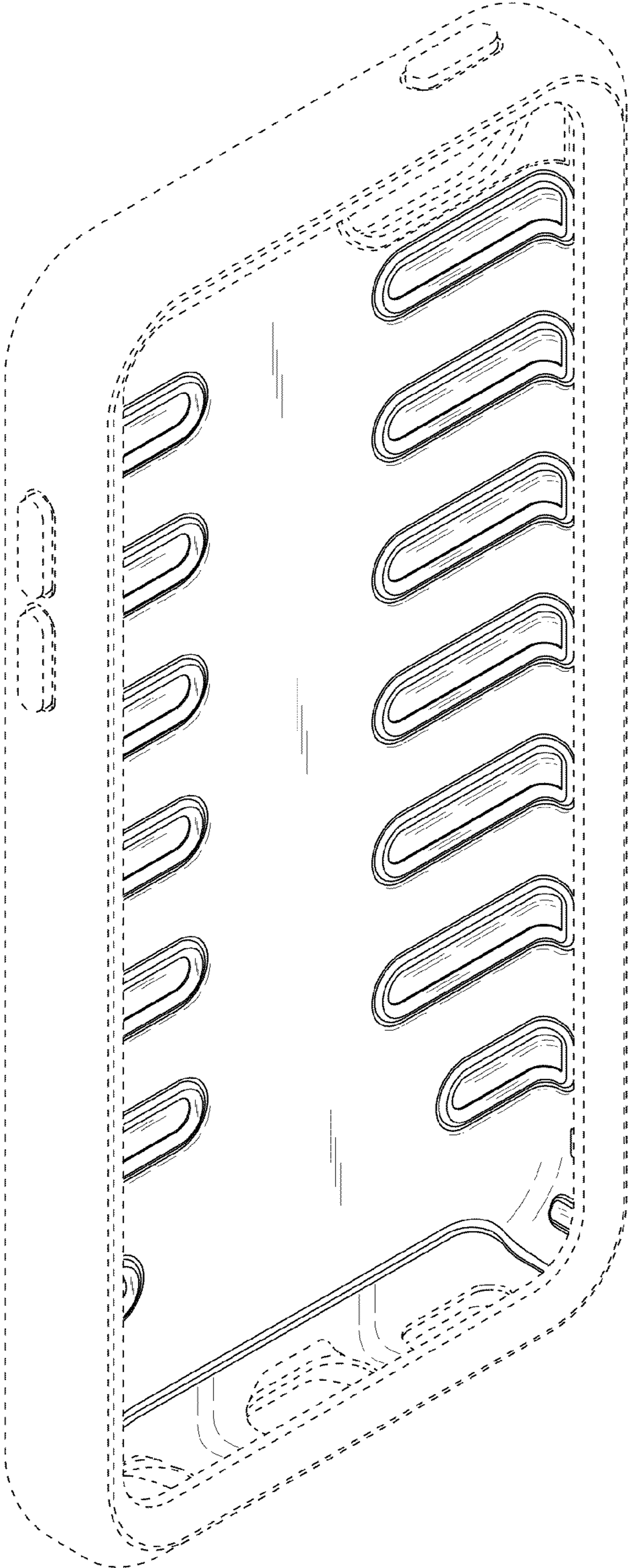


FIG. 3

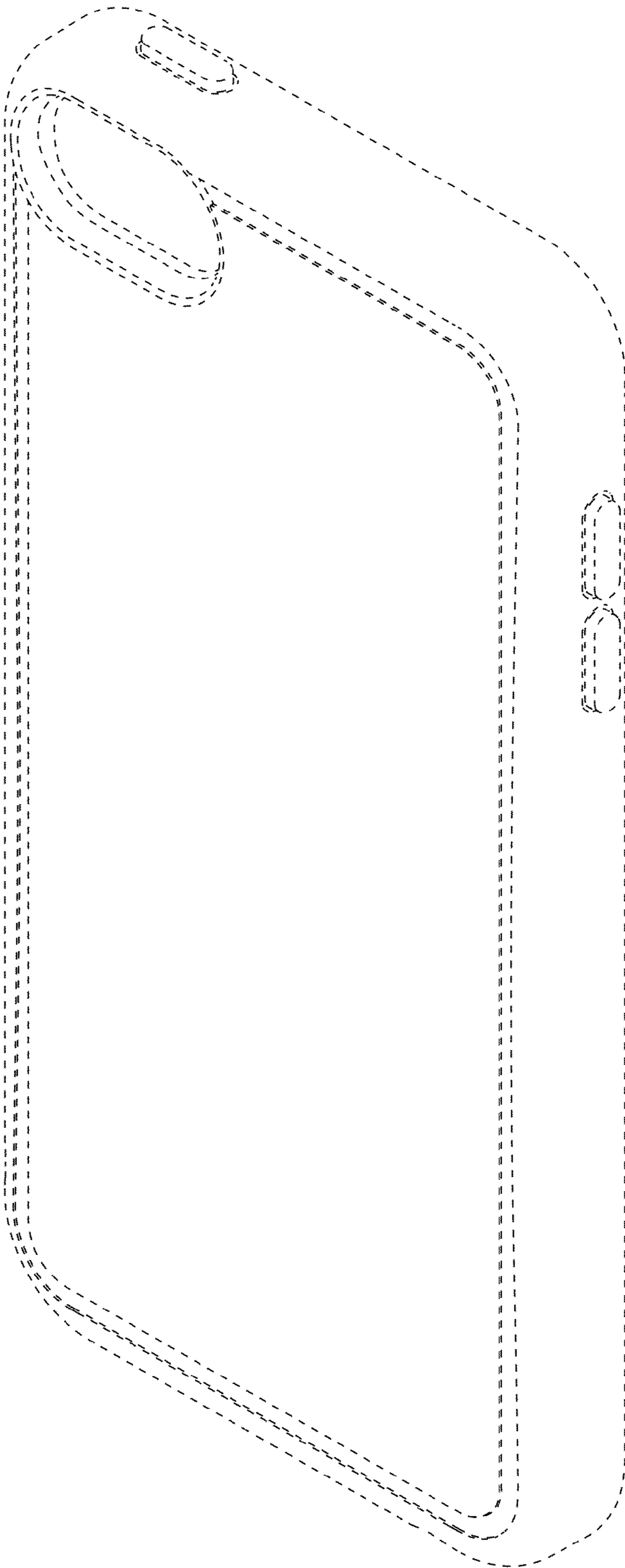


FIG. 4