



US00D716277S

(12) **United States Design Patent**  
**Kim**

(10) **Patent No.:** **US D716,277 S**  
(45) **Date of Patent:** **\*\* Oct. 28, 2014**

(54) **STAND FOR TELEVISION RECEIVER**

(71) Applicant: **Samsung Electronics Co., Ltd.**,  
Suwon-si (KR)

(72) Inventor: **Hee-Bong Kim**, Gimpo-si (KR)

(73) Assignee: **Samsung Electronics Co., Ltd.**,  
Suwon-si (KR)

(\*\*) Term: **14 Years**

(21) Appl. No.: **29/476,418**

(22) Filed: **Dec. 13, 2013**

(30) **Foreign Application Priority Data**

Jun. 20, 2013 (KR) ..... 30-2013-0031925

(51) **LOC (10) Cl.** ..... **14-03**

(52) **U.S. Cl.**  
USPC ..... **D14/239**

(58) **Field of Classification Search**  
USPC ..... D14/125–129, 239, 371–375, 336, 337;  
341/12; 345/104, 156, 168, 173;  
348/180, 184, 325, 739; 349/1, 2, 11,  
349/62; 361/679.05–679.07, 679.21;  
D6/300, 308

See application file for complete search history.

(56) **References Cited**

**U.S. PATENT DOCUMENTS**

D292,045 S \* 9/1987 McDowell ..... D6/311  
D357,828 S \* 5/1995 Liao ..... D6/466  
7,329,810 B2 \* 2/2008 Spivack et al. .... 84/422.1

7,832,701 B2 \* 11/2010 Barnes ..... 248/460  
D643,390 S \* 8/2011 Han et al. .... D14/126  
D644,620 S \* 9/2011 Song et al. .... D14/126  
D656,913 S \* 4/2012 Ann et al. .... D14/126  
D659,661 S \* 5/2012 Lim et al. .... D14/126  
D661,270 S \* 6/2012 Cha et al. .... D14/126  
D664,940 S \* 8/2012 Kim et al. .... D14/129  
D670,257 S \* 11/2012 Yang et al. .... D14/126  
D671,923 S \* 12/2012 Seong et al. .... D14/239  
D680,106 S \* 4/2013 Hwangbo et al. .... D14/239

\* cited by examiner

*Primary Examiner* — Randall Gholson

(74) *Attorney, Agent, or Firm* — NSIP Law

(57) **CLAIM**

The ornamental design for a stand for television receiver, as shown and described.

**DESCRIPTION**

FIG. 1 is a front perspective view of a stand for television receiver showing my new design;  
FIG. 2 is a front view thereof;  
FIG. 3 is a rear view thereof;  
FIG. 4 is a left-side view thereof;  
FIG. 5 is a right-side view thereof;  
FIG. 6 is a top view thereof;  
FIG. 7 is a bottom view thereof; and,  
FIG. 8 is another front perspective view, in which a television receiver is provided in broken lines to illustrate an example environment.

The broken lines are for environmental purposes only and form no part of the claimed design.

**1 Claim, 8 Drawing Sheets**

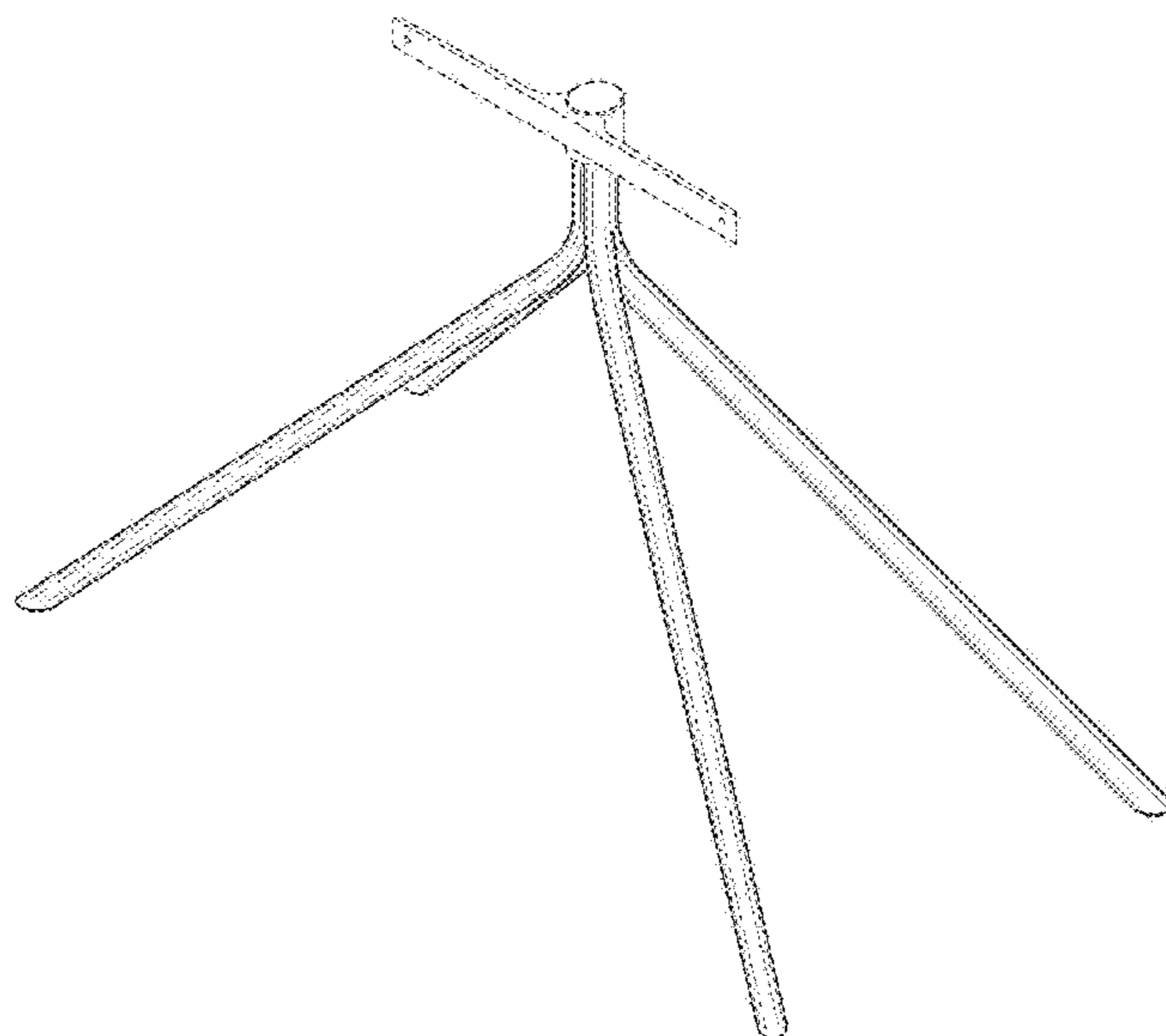


FIG. 1

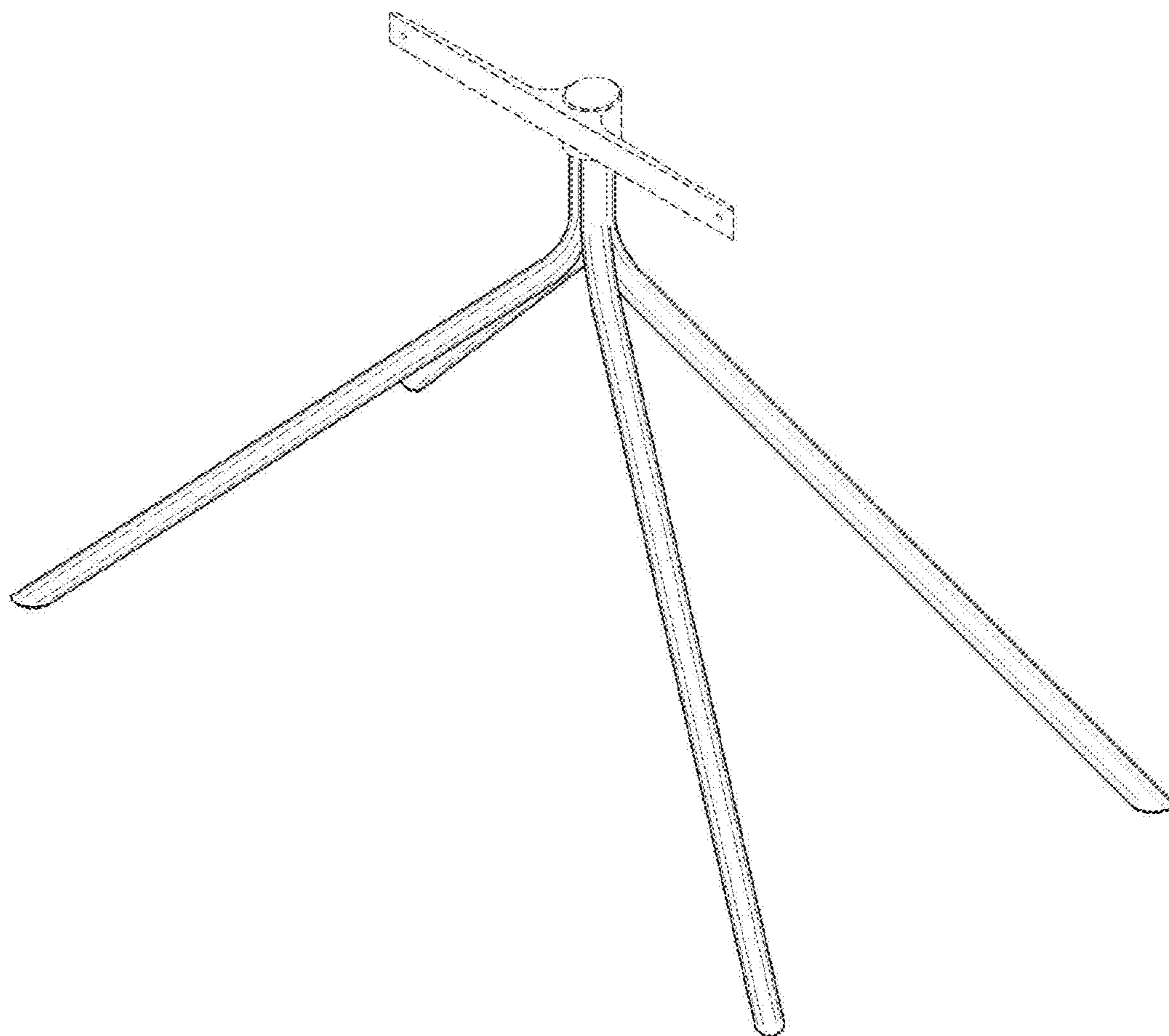


FIG. 2

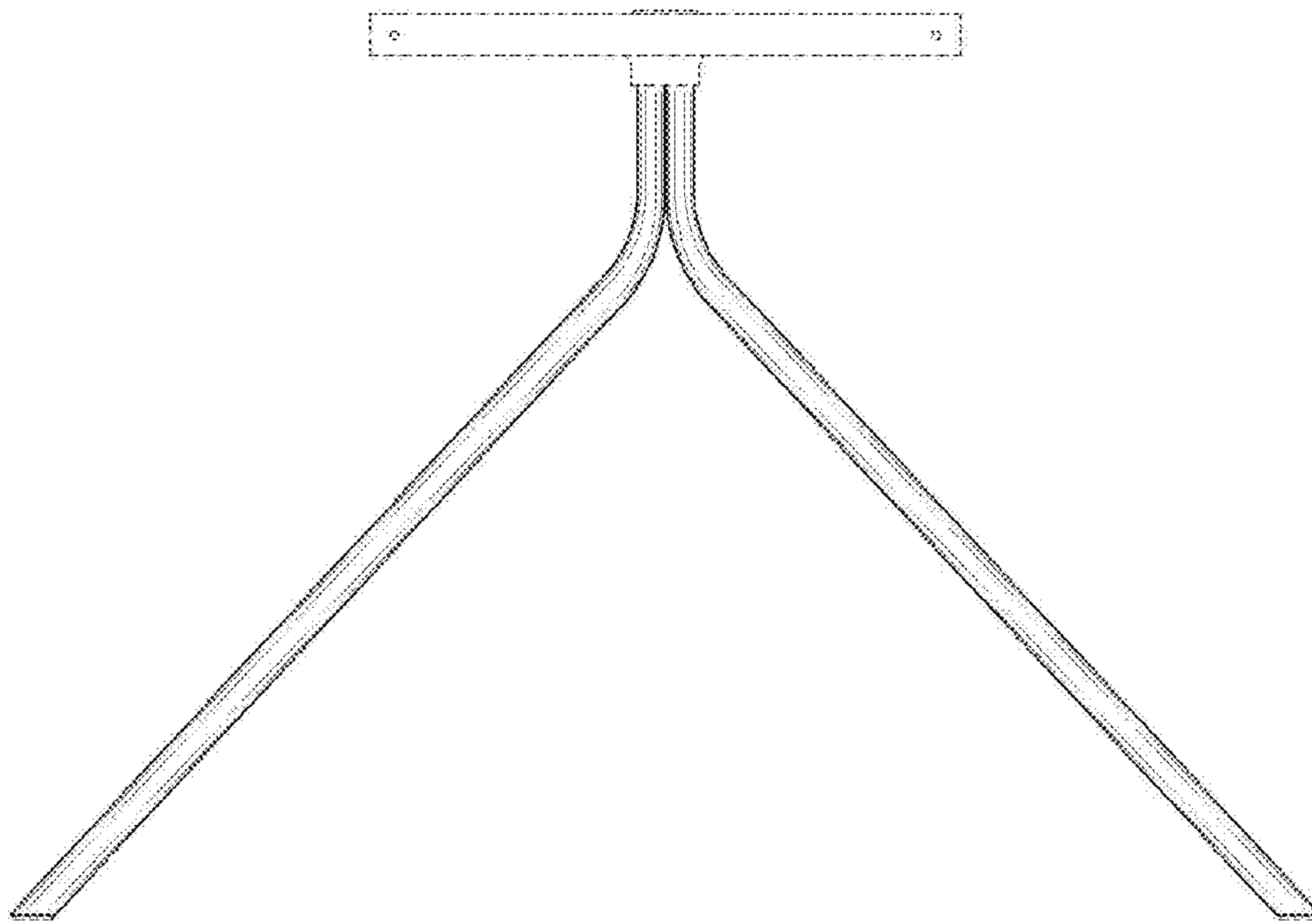


FIG. 3

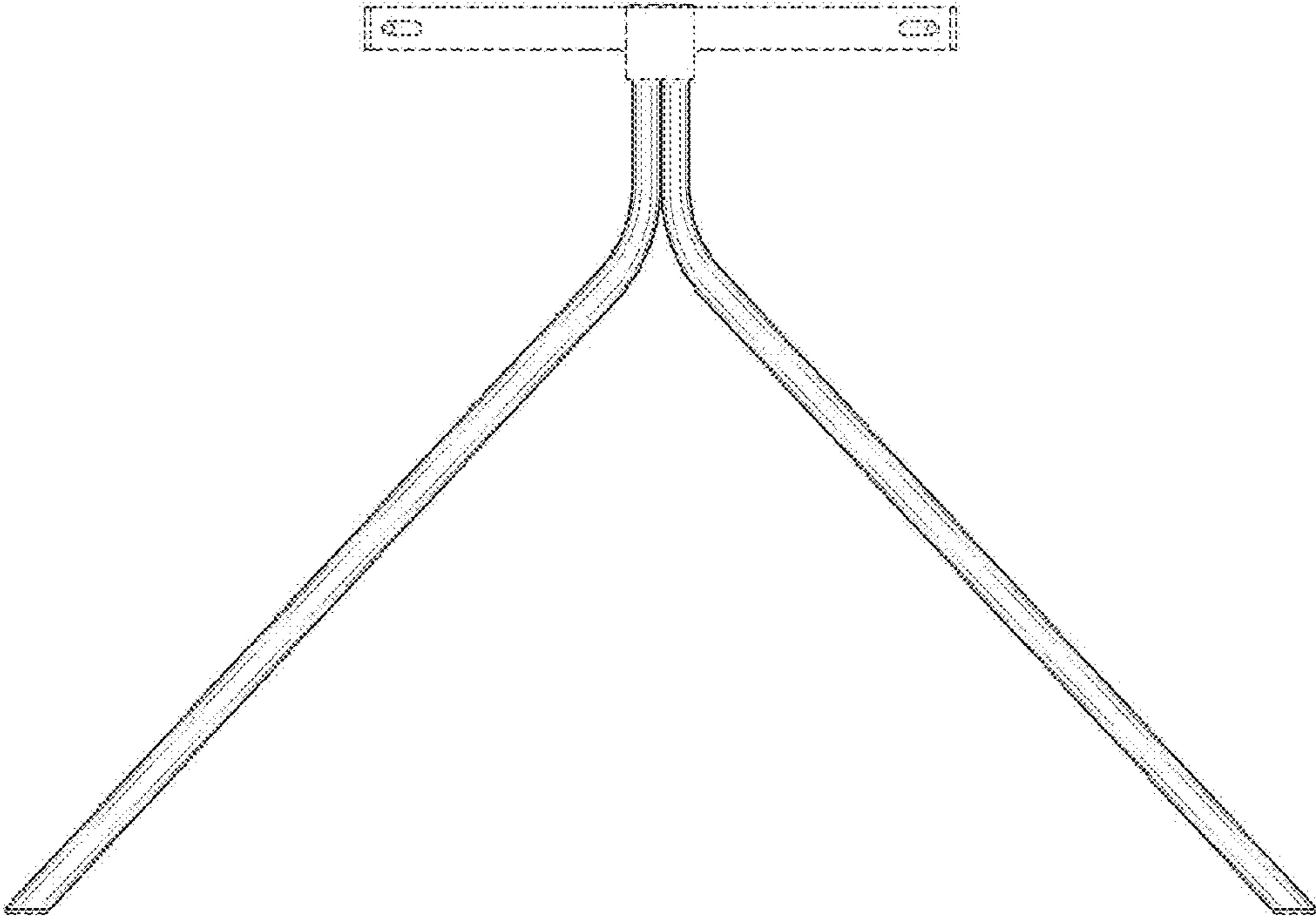


FIG. 4

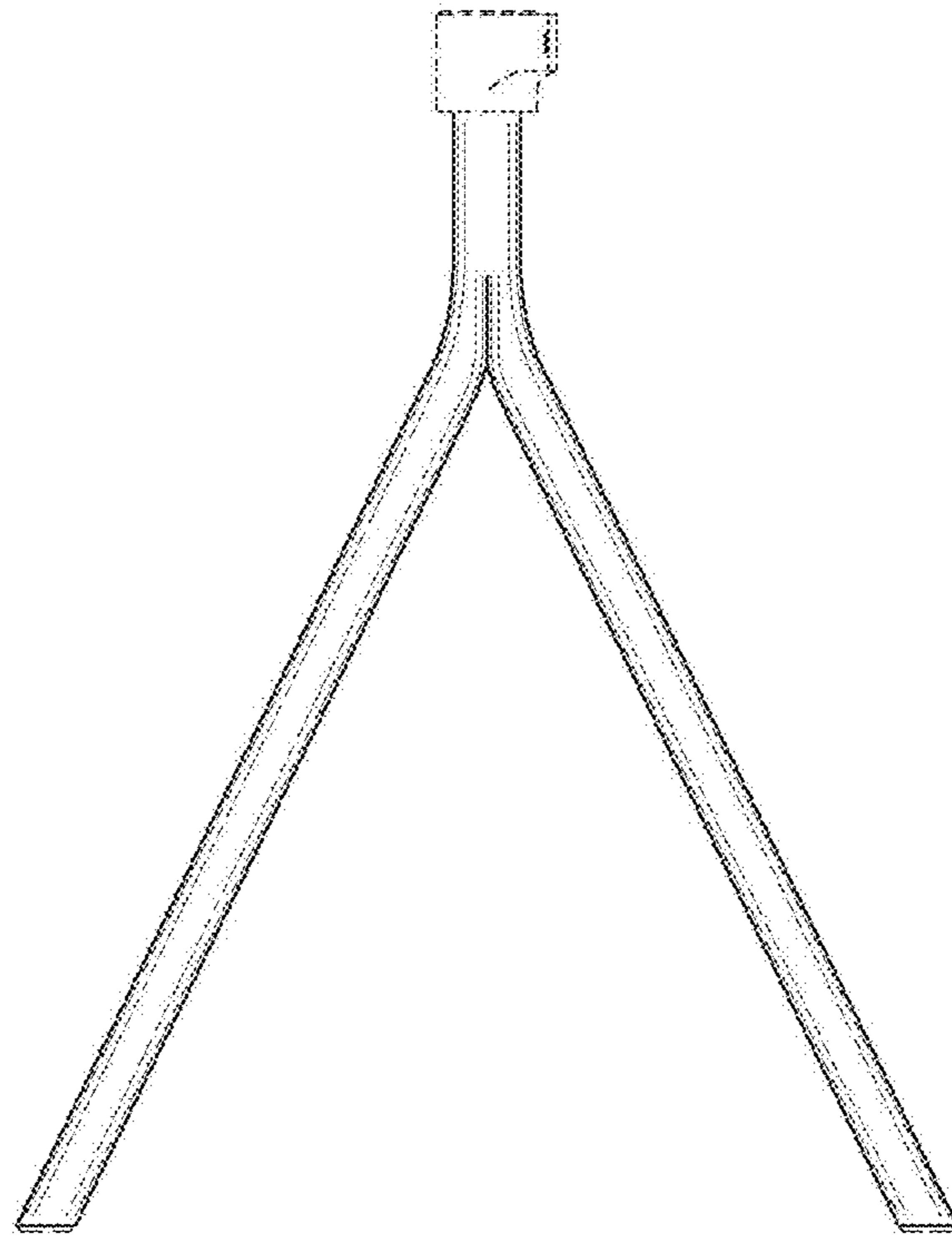


FIG. 5

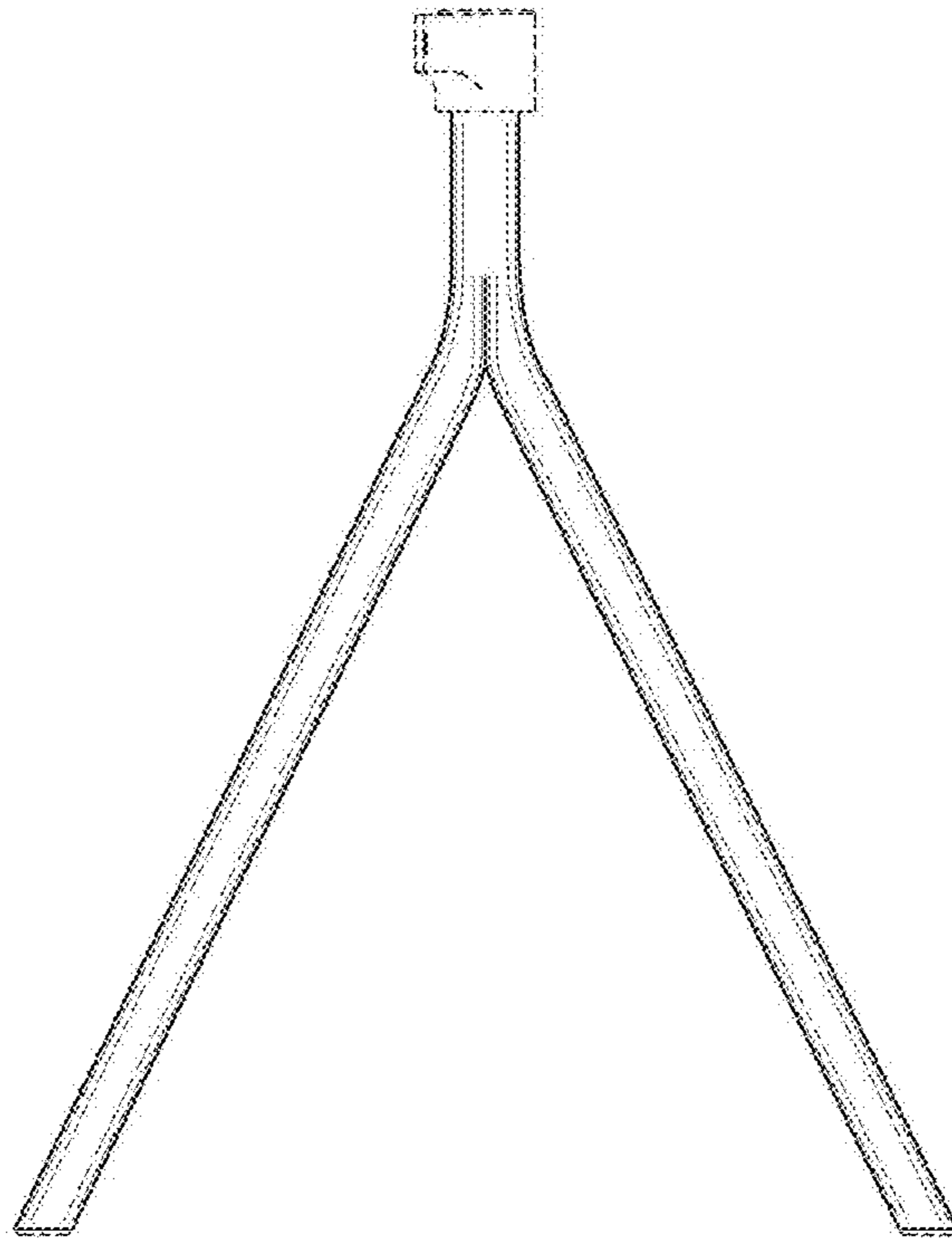


FIG. 6

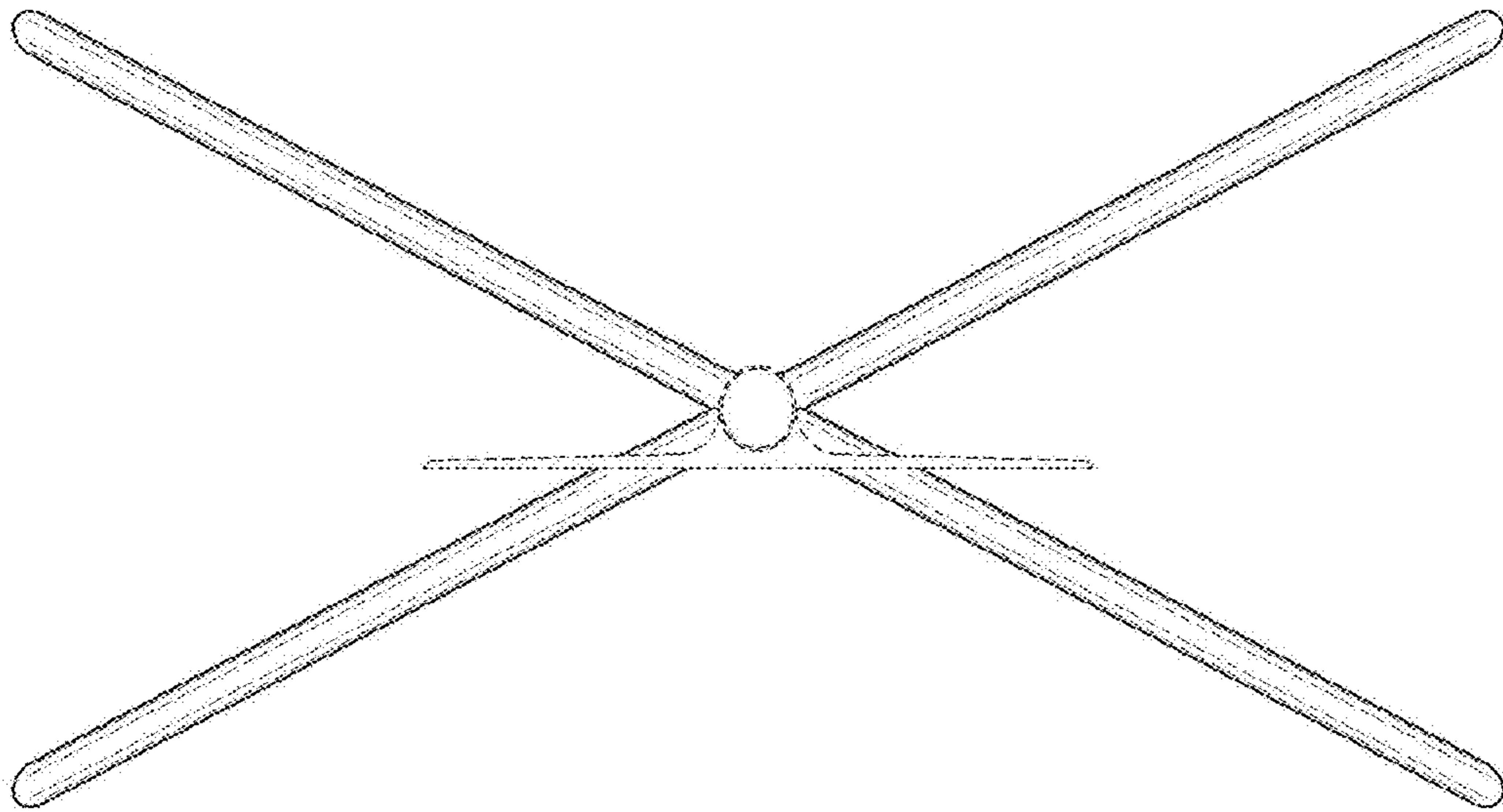




FIG. 7

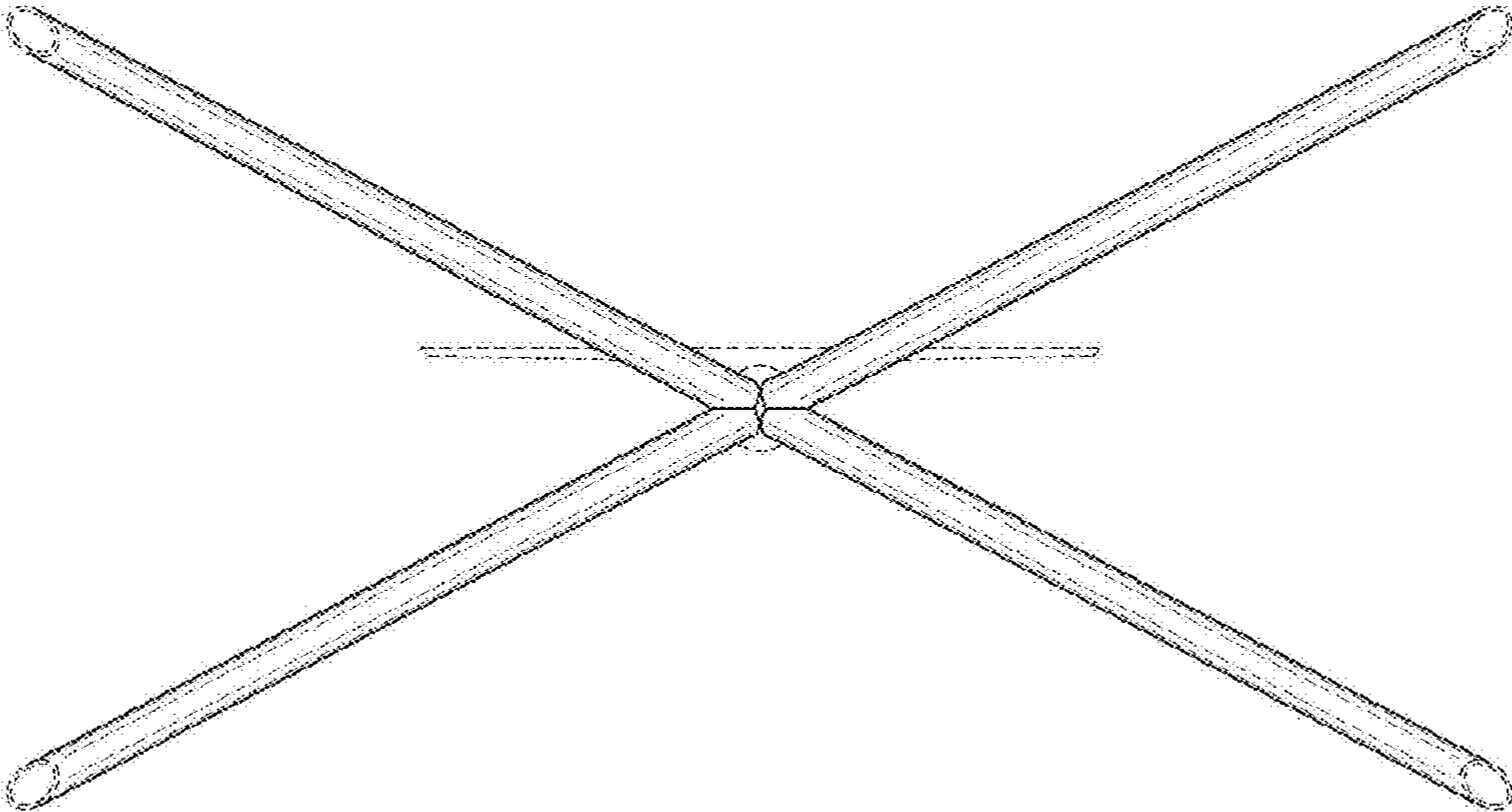




FIG. 8

