



US00D716273S

(12) **United States Design Patent**  
**Yamamoto**

(10) **Patent No.:** **US D716,273 S**  
(45) **Date of Patent:** **\*\* Oct. 28, 2014**

(54) **PAIR OF HEADPHONES**

(71) Applicant: **Ever Win International Corporation,**  
City of Industry, CA (US)

(72) Inventor: **Yasuhiro Yamamoto,** Los Angeles, CA  
(US)

(73) Assignee: **Ever Win International Corporation,**  
City of Industry, CA (US)

(\*\*) Term: **14 Years**

(21) Appl. No.: **29/460,294**

(22) Filed: **Jul. 9, 2013**

(51) **LOC (10) Cl.** ..... **14-01**

(52) **U.S. Cl.**  
USPC ..... **D14/223**

(58) **Field of Classification Search**  
CPC ..... H04R 1/10  
USPC ..... D14/223, 205; 181/129, 130, 135;  
379/430, 431; 381/380, 381; 455/90.3,  
455/575.1  
See application file for complete search history.

(56) **References Cited**

**U.S. PATENT DOCUMENTS**

626,823 A	6/1899	Bowles
671,138 A	4/1901	Knudson et al.
2,022,060 A	11/1935	Swickard
D102,655 S	1/1937	Nicholides
D105,261 S	7/1937	Breen
D118,923 S	2/1940	Williams
4,634,816 A	1/1987	O'Malley et al.
D300,322 S	3/1989	Lam
D304,944 S	12/1989	Behringer
4,917,504 A	4/1990	Scott et al.
D311,007 S	10/1990	Daido
D318,473 S	7/1991	Miyashuta et al.
D318,864 S	8/1991	Daido et al.
D318,865 S	8/1991	Ichikawa

D328,900 S	8/1992	Harle
5,166,984 A	11/1992	Hsiao
D348,067 S	6/1994	Lucey et al.
D362,442 S	9/1995	Goldfarb
5,677,964 A	10/1997	Sun
5,832,098 A	11/1998	Chen
D427,994 S	7/2000	Pirelli
D430,145 S	8/2000	Boyden et al.
D446,785 S	8/2001	Ohta
D464,638 S	10/2002	Huang
D487,455 S	3/2004	Asahina et al.
D523,846 S	6/2006	Lee

(Continued)

*Primary Examiner* — Paula Greene

(74) *Attorney, Agent, or Firm* — Joe Nieh

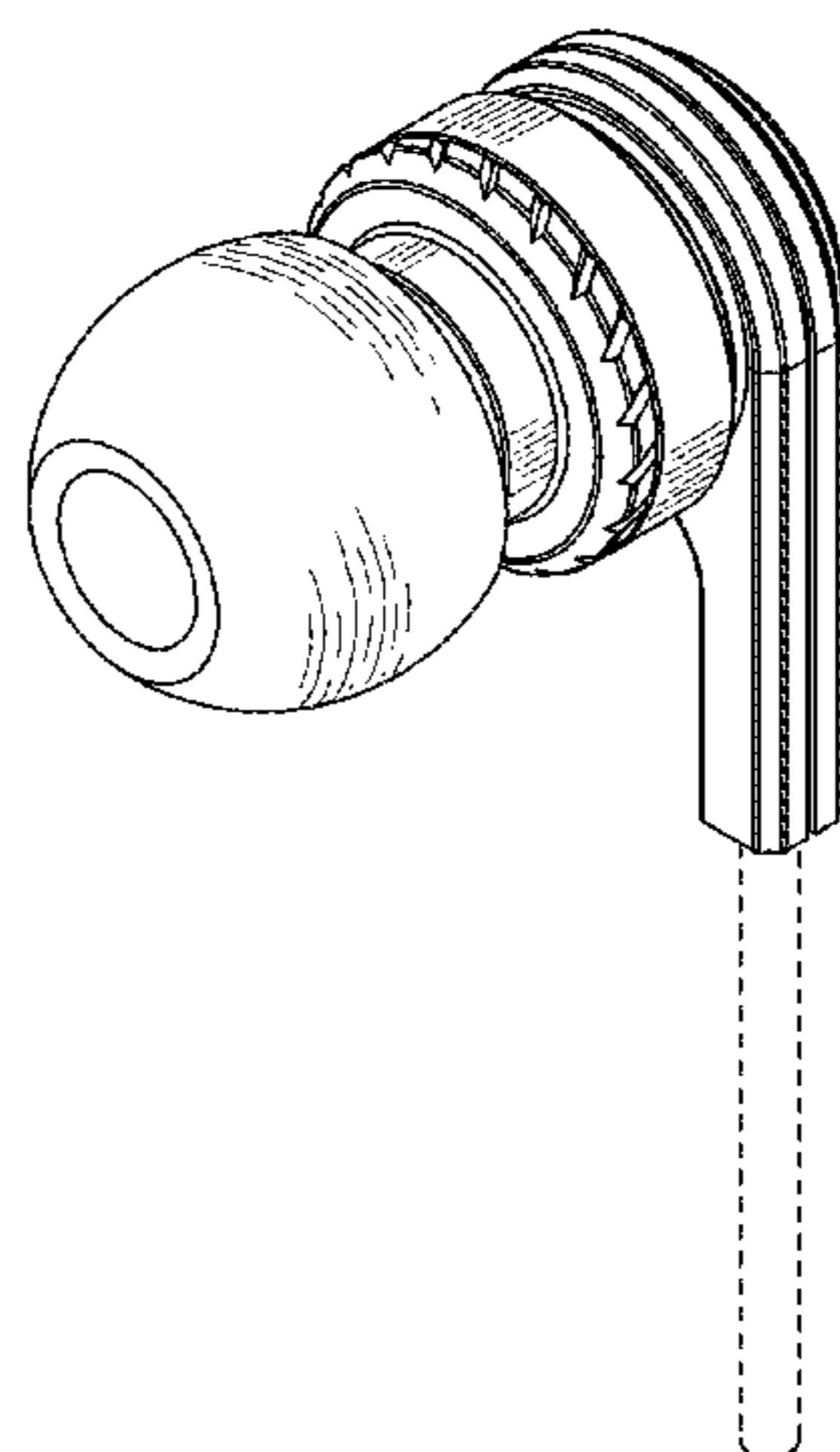
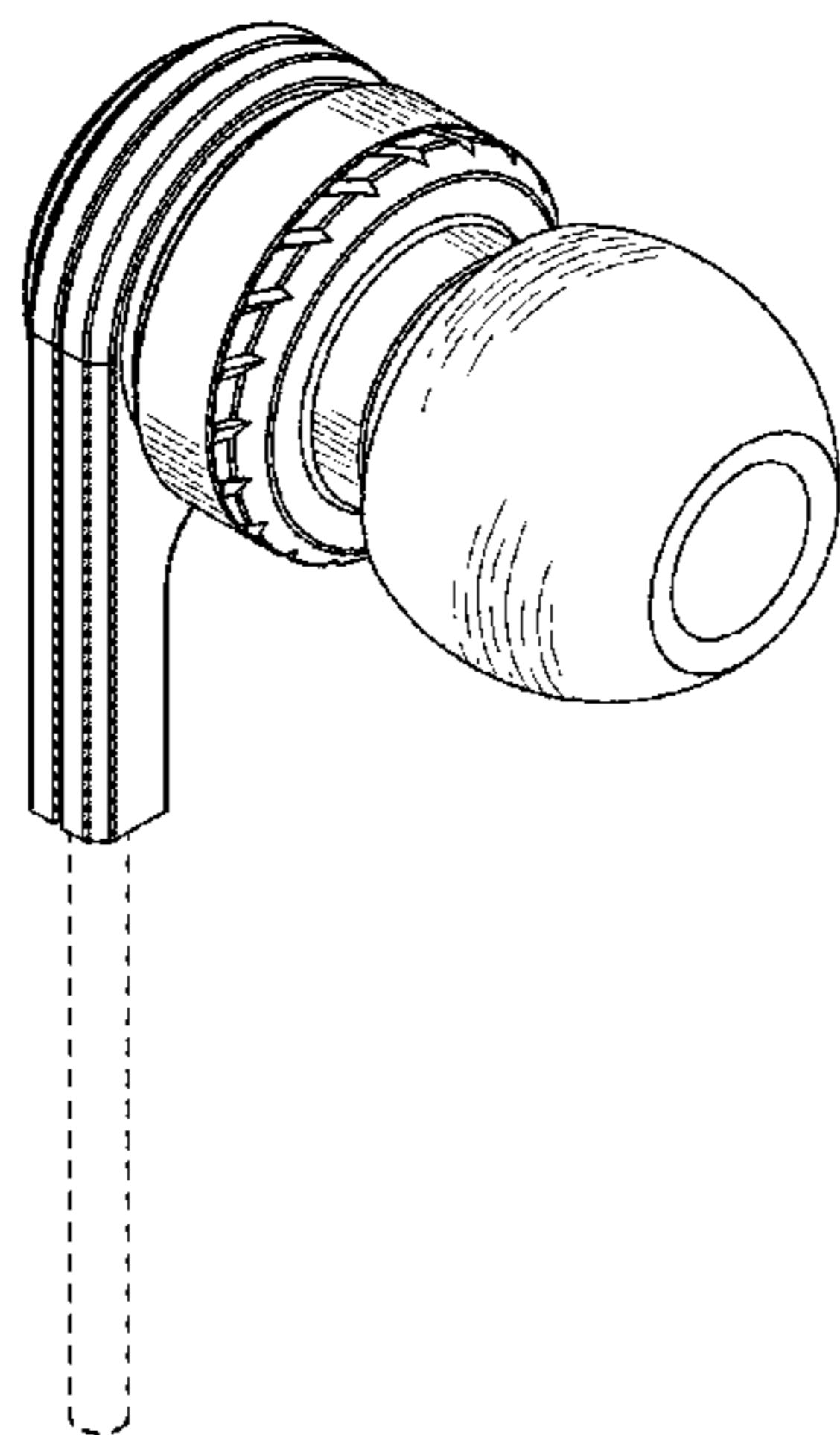
(57) **CLAIM**

The ornamental design for an pair of headphones, as shown and described.

**DESCRIPTION**

FIG. 1 is a perspective front view of a right pair of headphones showing my new design;  
FIG. 2 is a perspective rear view thereof;  
FIG. 3 is a front view thereof;  
FIG. 4 is a rear view thereof;  
FIG. 5 is a left side view thereof;  
FIG. 6 is a top view thereof;  
FIG. 7 is a bottom view thereof;  
FIG. 8 is a perspective front view of a left pair of headphones;  
FIG. 9 is a perspective rear view thereof;  
FIG. 10 is a front view thereof;  
FIG. 11 is a rear view thereof;  
FIG. 12 is a right side view thereof;  
FIG. 13 is a top view thereof; and,  
FIG. 14 is a bottom view thereof.  
The broken lines shown in the drawings are included for the purpose of illustrating environmental structure and form no part of the claimed design.

**1 Claim, 4 Drawing Sheets**



(56)

**References Cited**

U.S. PATENT DOCUMENTS

D531,169 S *	10/2006	Tokioka et al.	.....	D14/223	D626,117 S *	10/2010	Lowry	.....	D14/223
D567,217 S *	4/2008	Kamo et al.	.....	D14/205	D642,056 S *	7/2011	Brown et al.	.....	D9/452
D591,264 S	4/2009	Hong et al.			D642,163 S *	7/2011	Lee et al.	.....	D14/223
D600,675 S *	9/2009	Lee et al.	.....	D14/205	D658,157 S *	4/2012	McManigal	.....	D14/205
D602,475 S *	10/2009	Martin	.....	D14/223	D683,332 S *	5/2013	Lee et al.	.....	D14/223
7,717,226 B2	5/2010	Purcell et al.			D686,597 S *	7/2013	Lee et al.	.....	D14/223
D625,709 S *	10/2010	Yamamoto	.....	D14/223	D690,685 S *	10/2013	Iacovelli et al.	.....	D14/223
					D690,686 S *	10/2013	Iacovelli et al.	.....	D14/223
					D697,050 S *	1/2014	Thompson et al.	.....	D14/206

\* cited by examiner

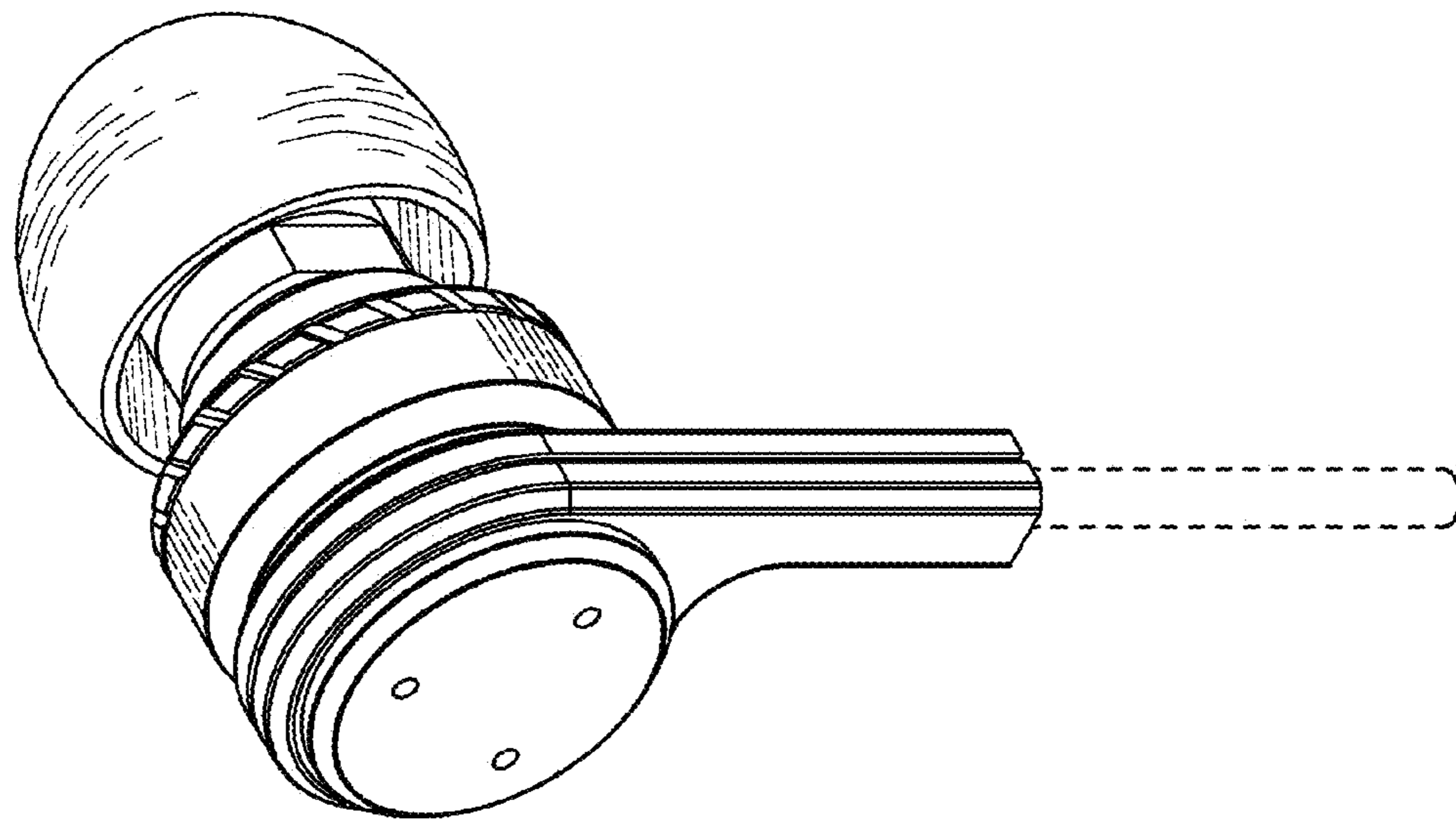


Fig. 2

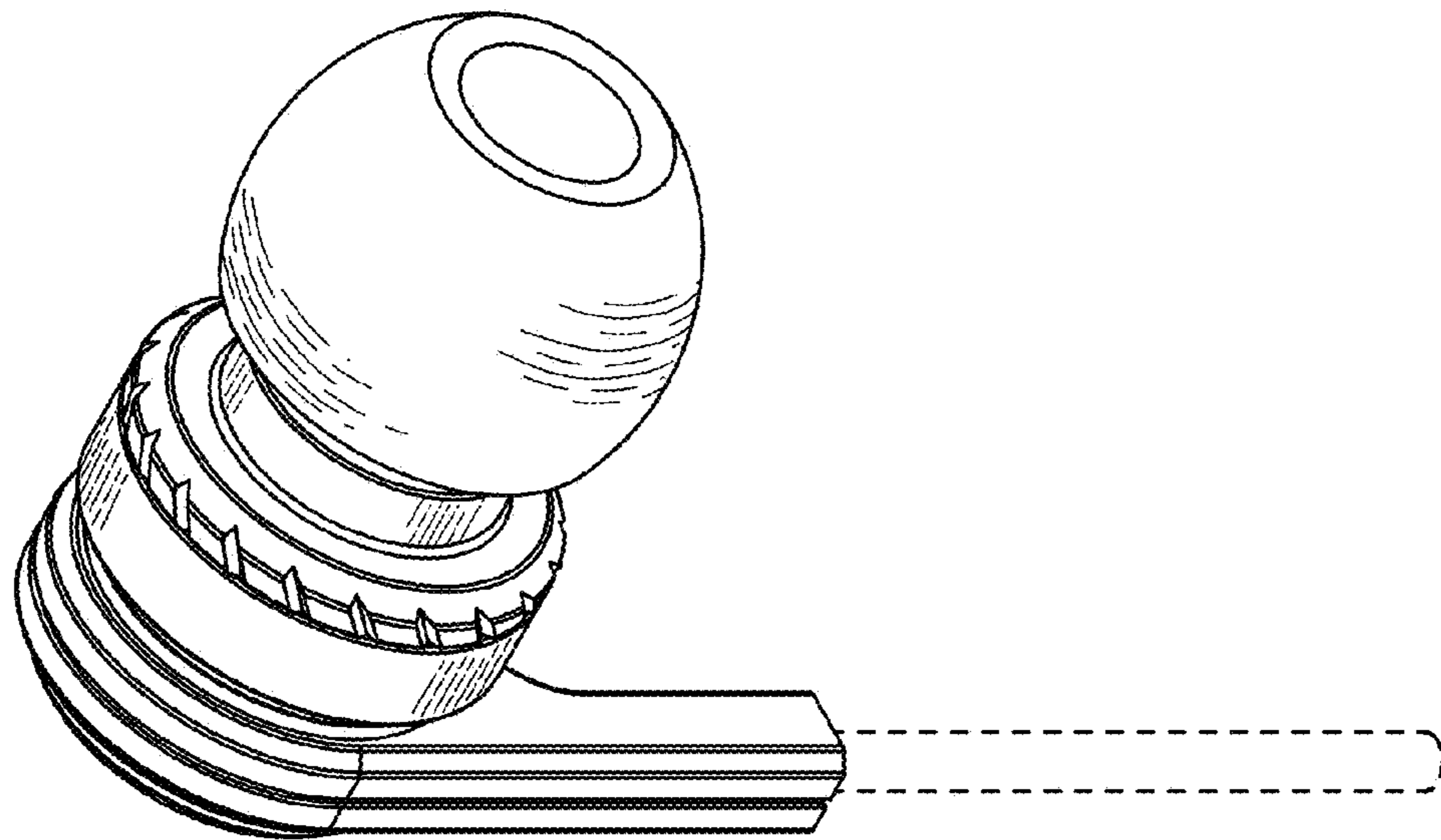


Fig. 1

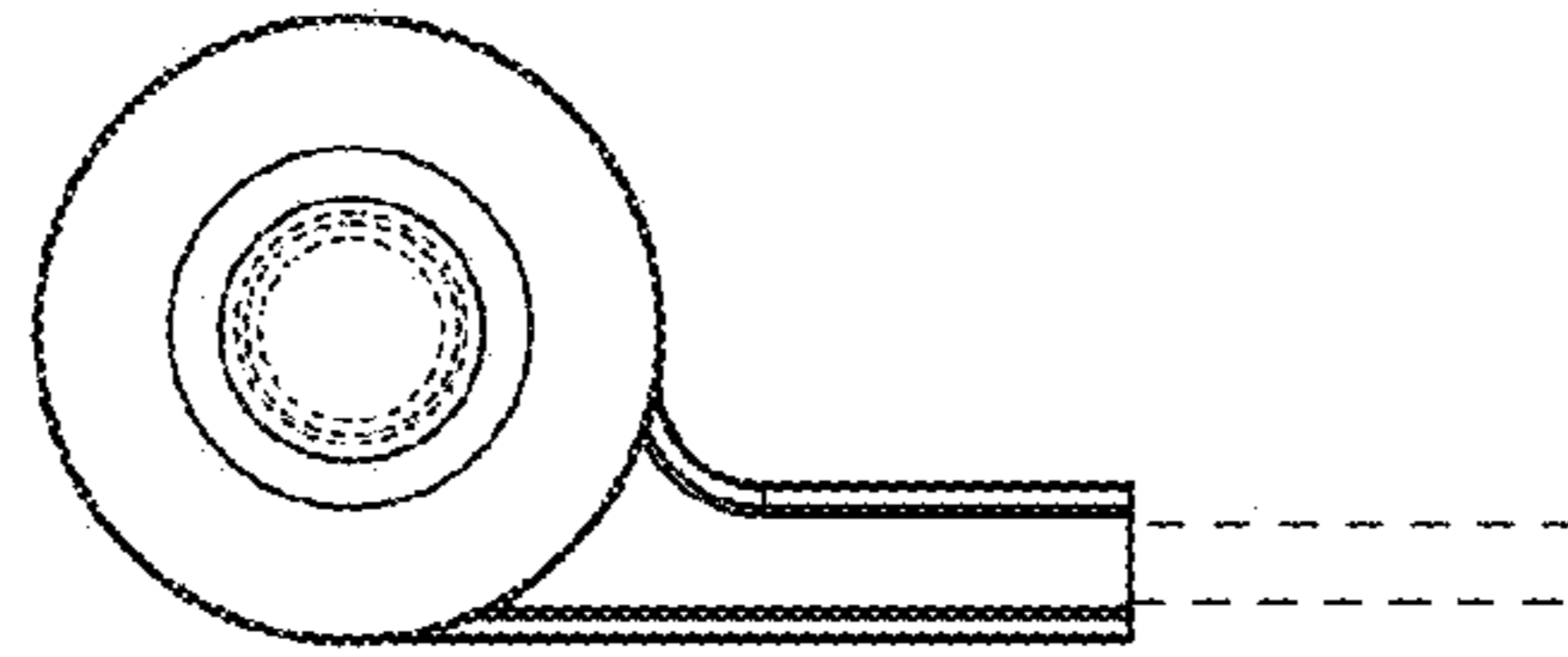


Fig. 3

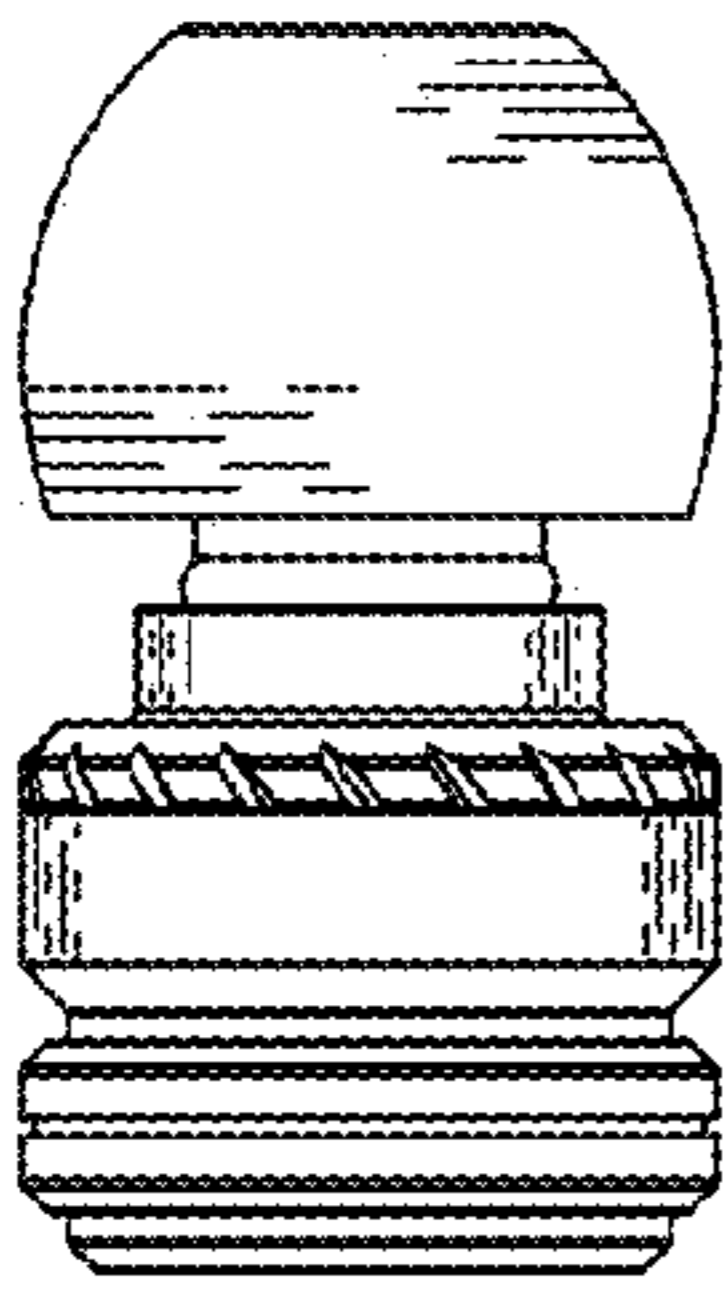


Fig. 6

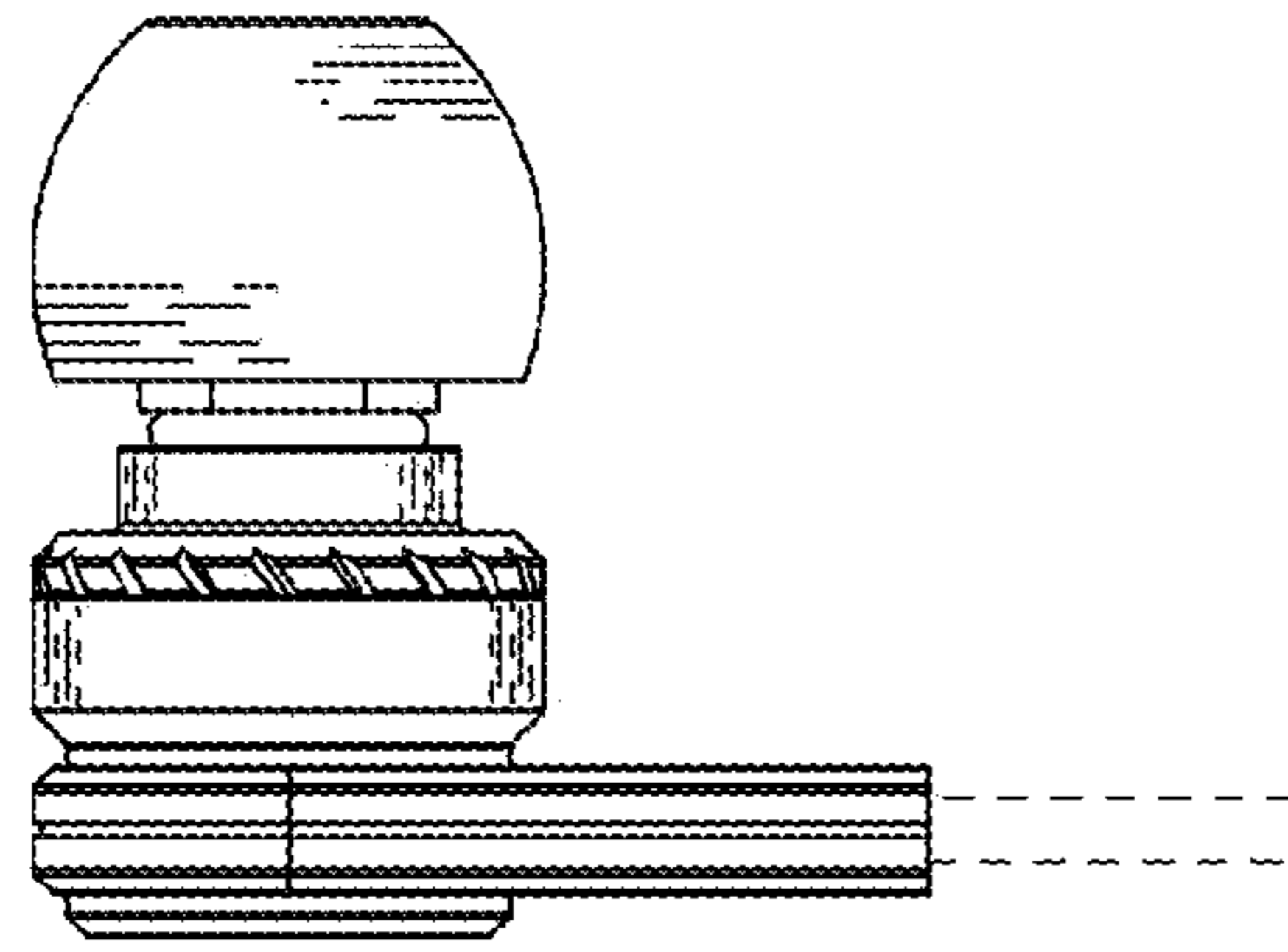


Fig. 5

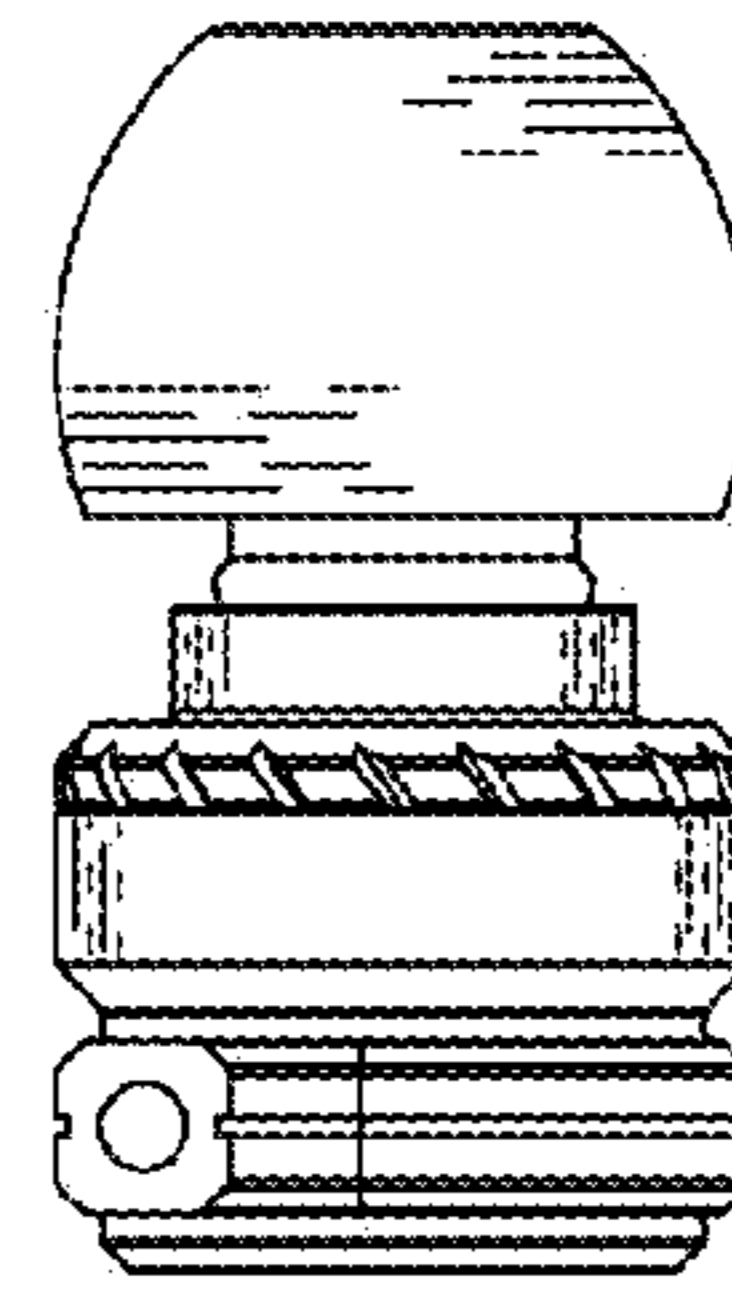


Fig. 7

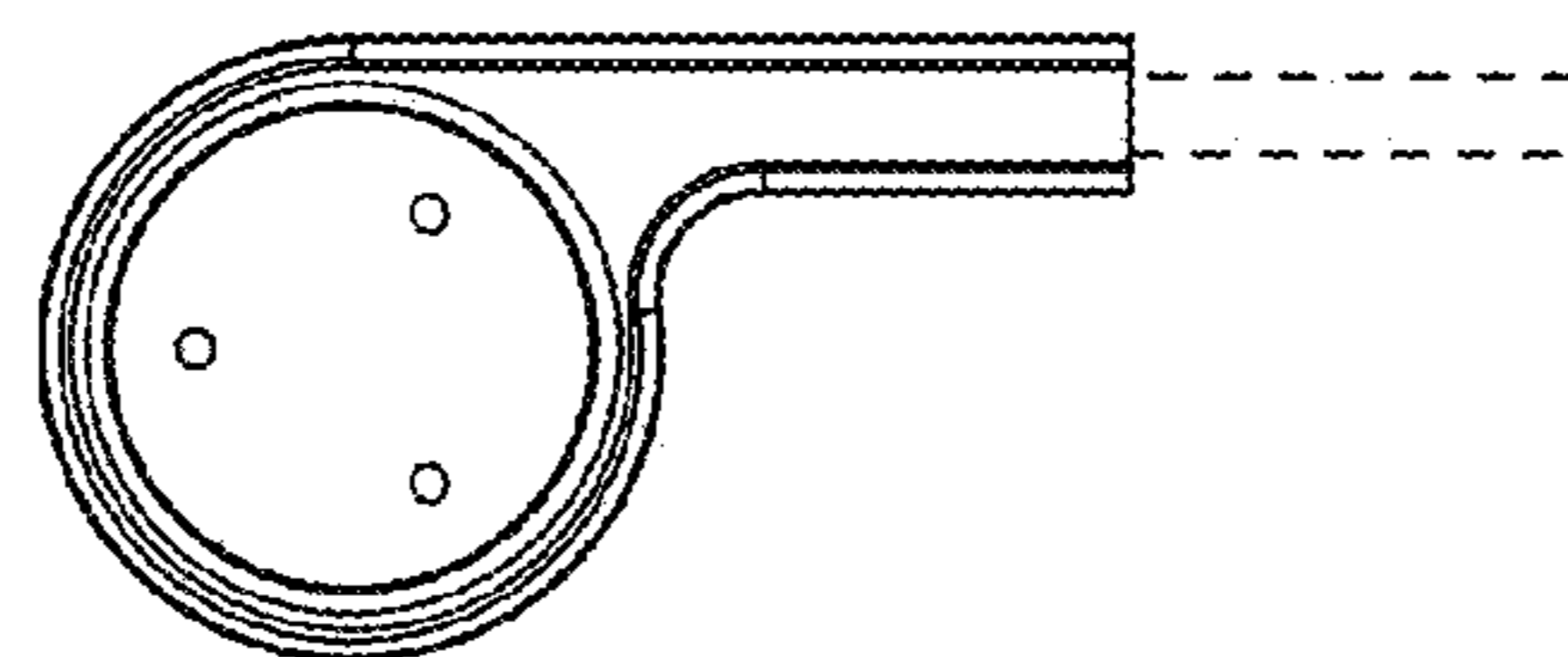


Fig. 4

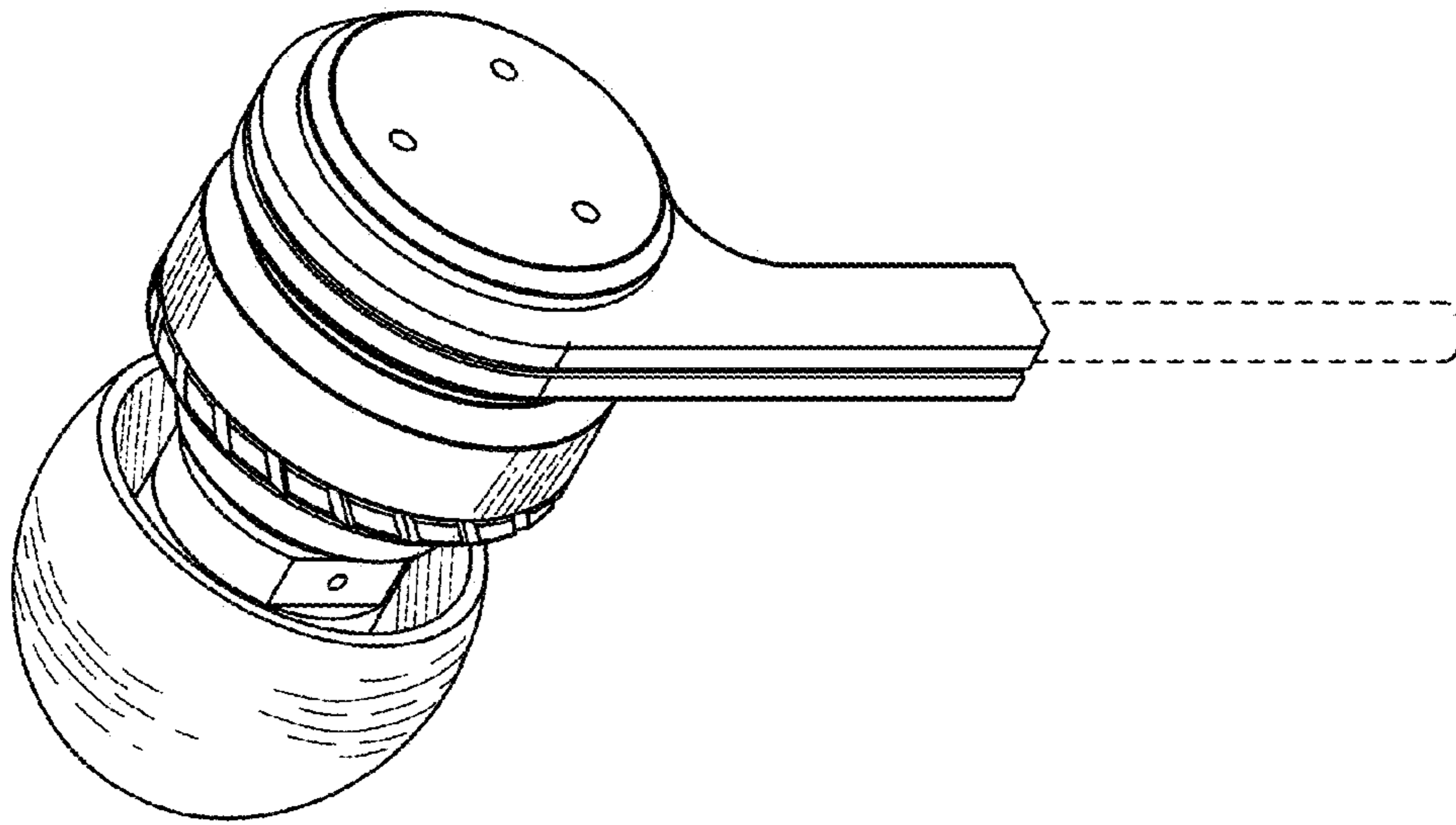


Fig. 9

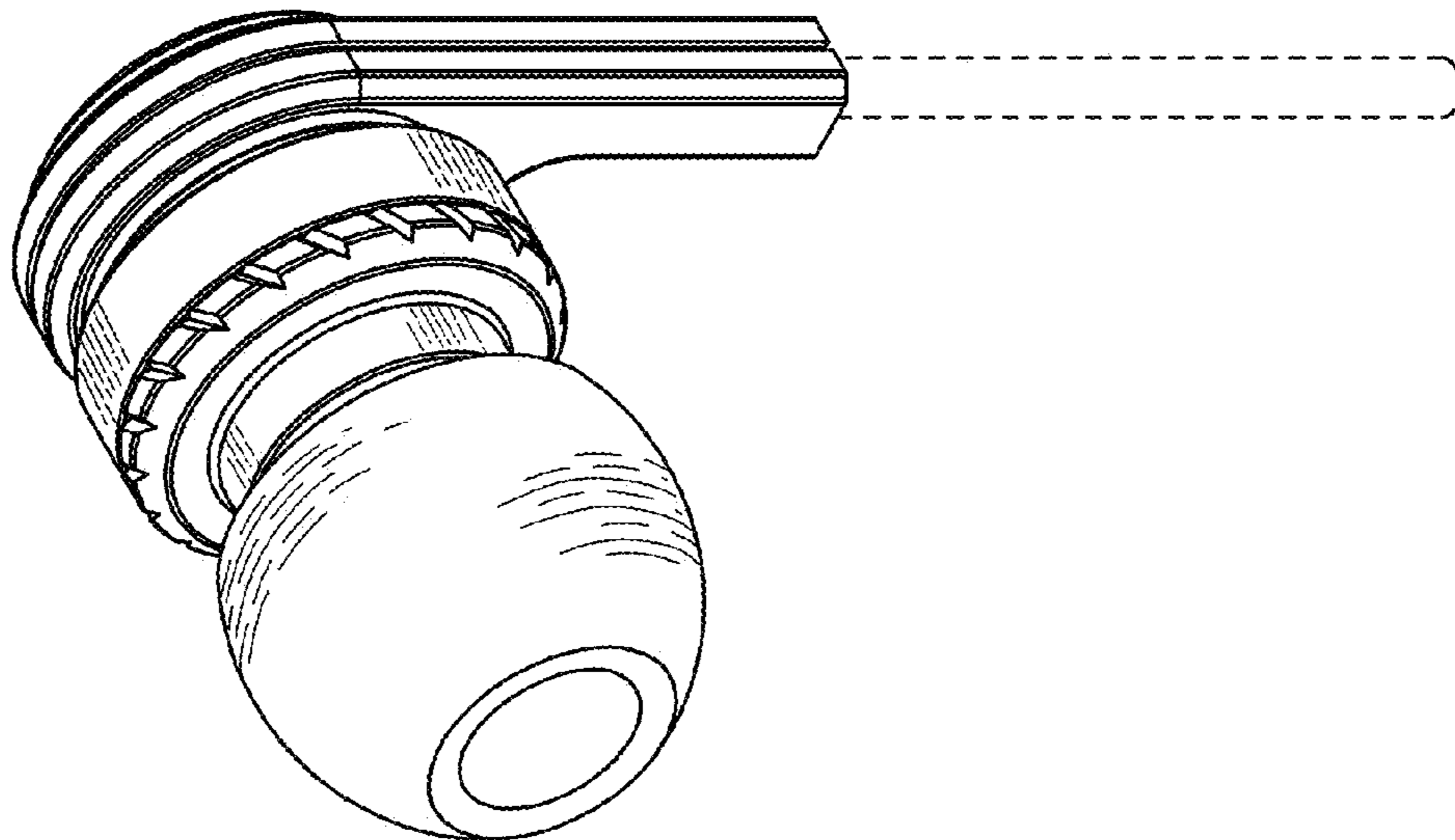


Fig. 8

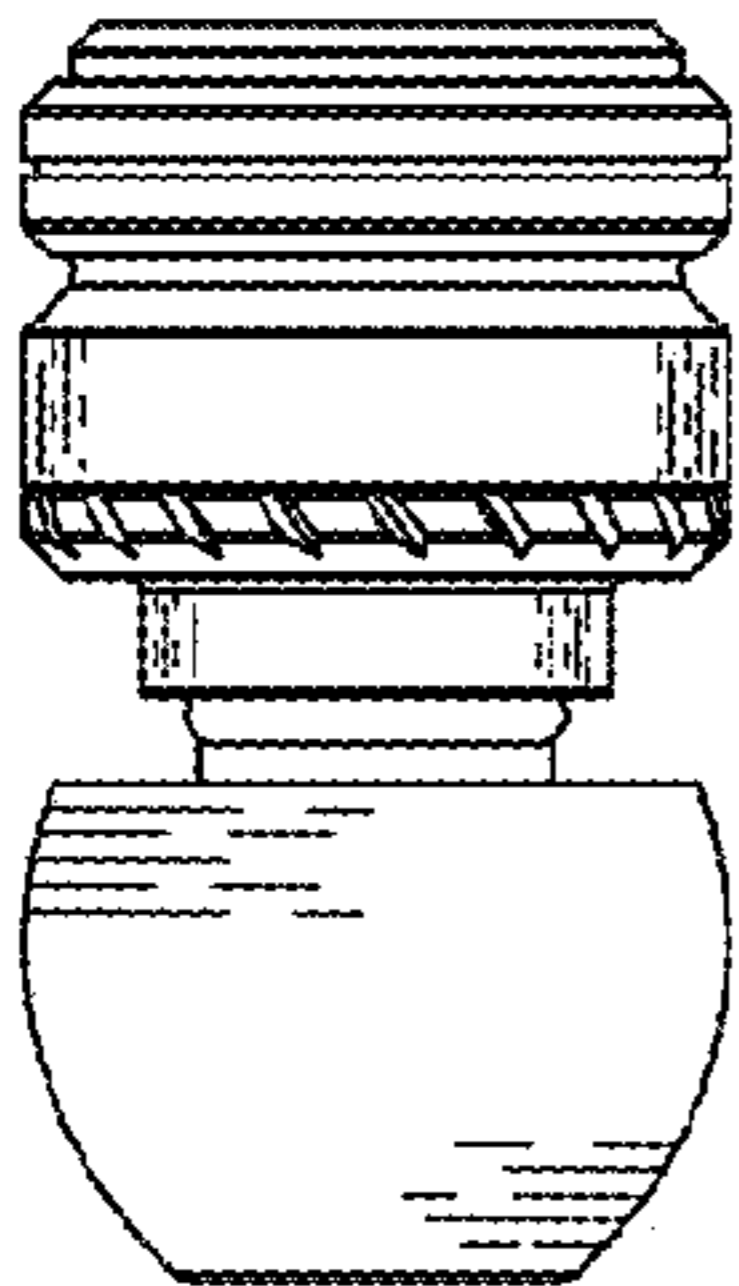


Fig. 13

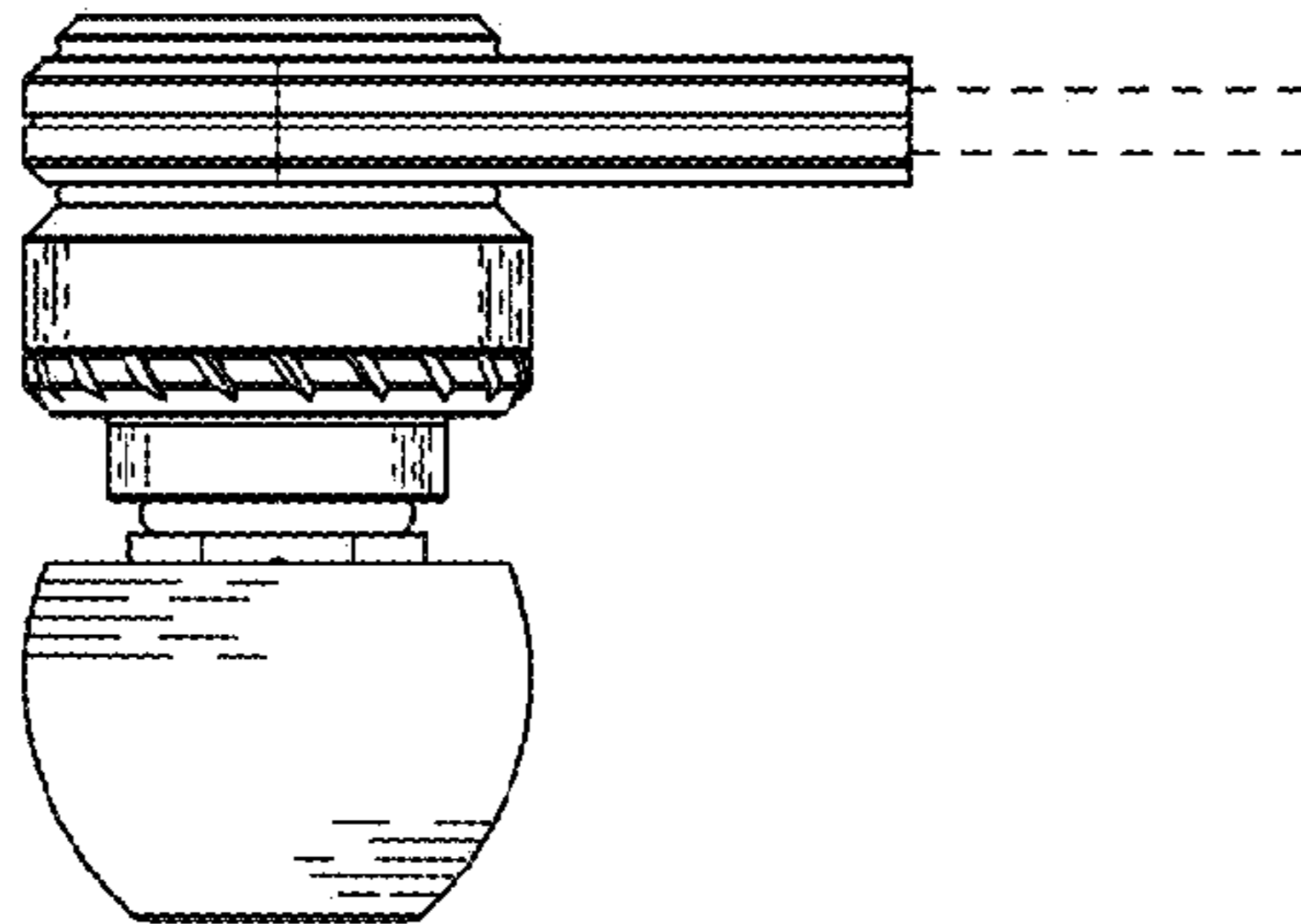


Fig. 12

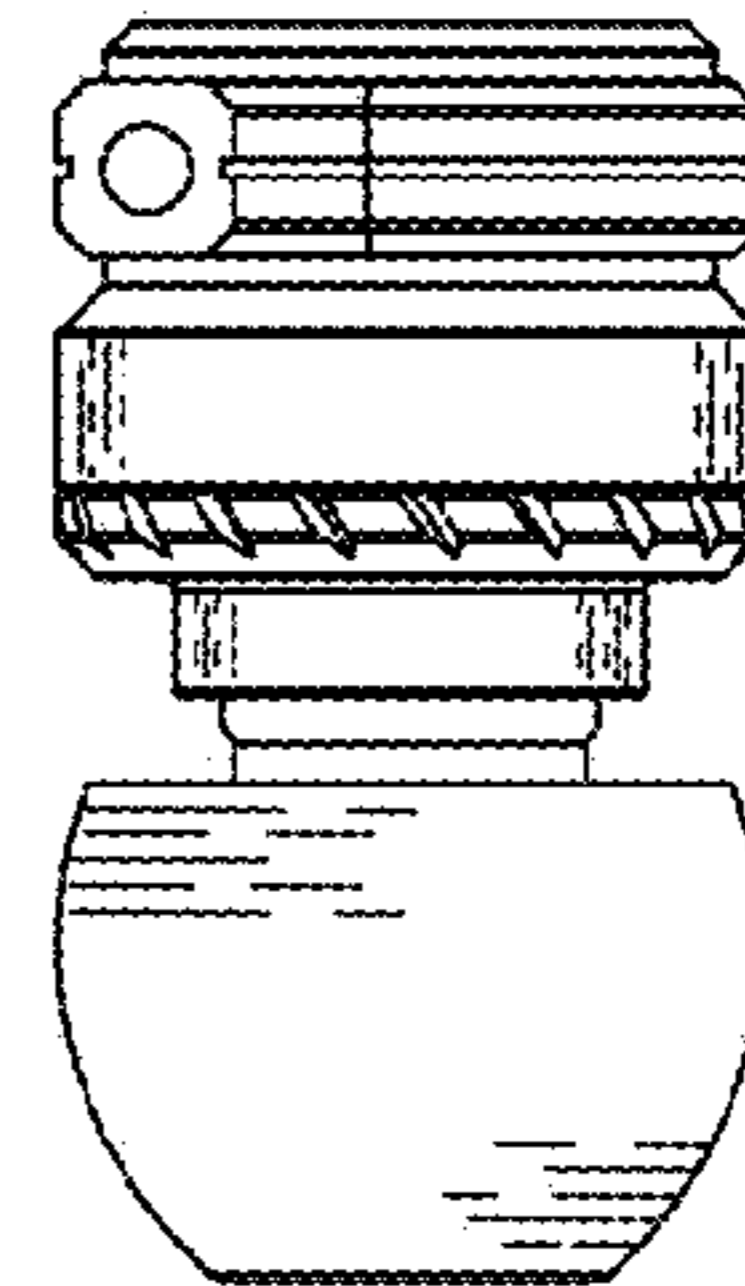


Fig. 14

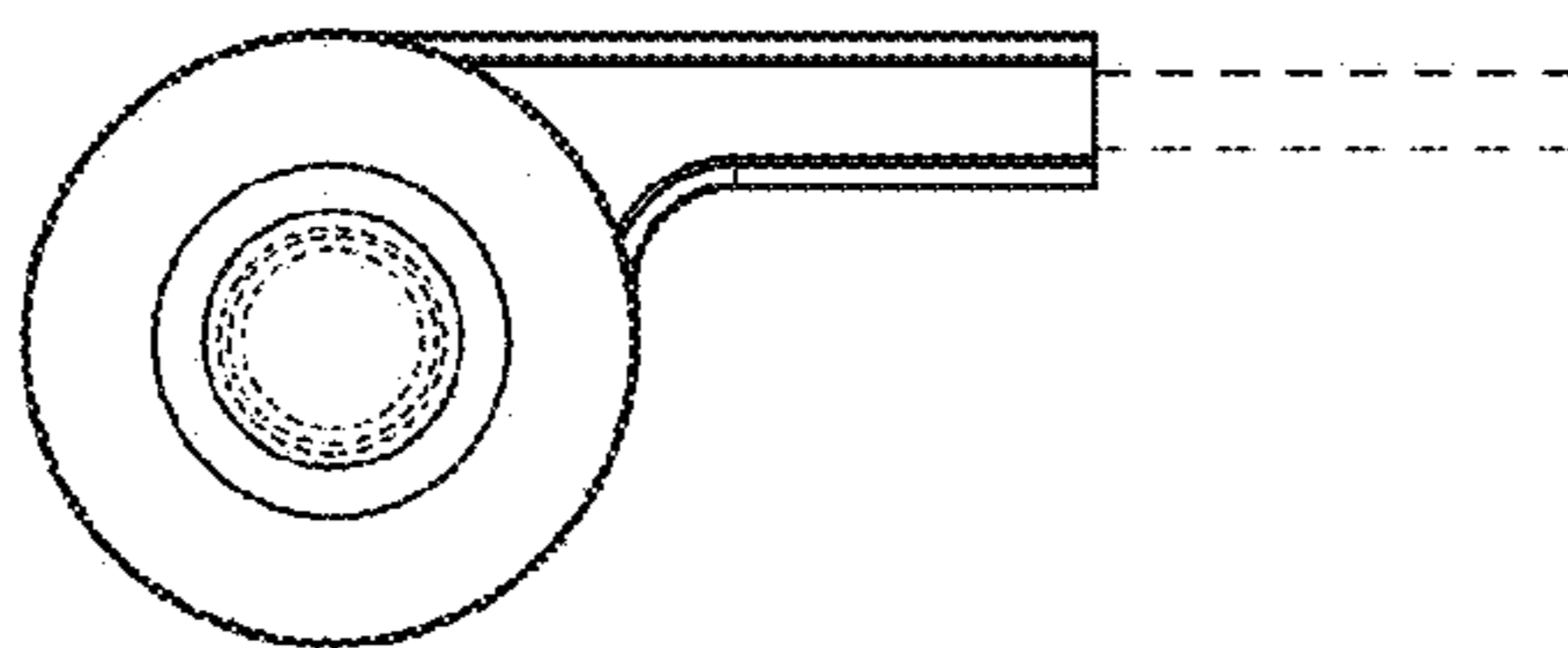


Fig. 10

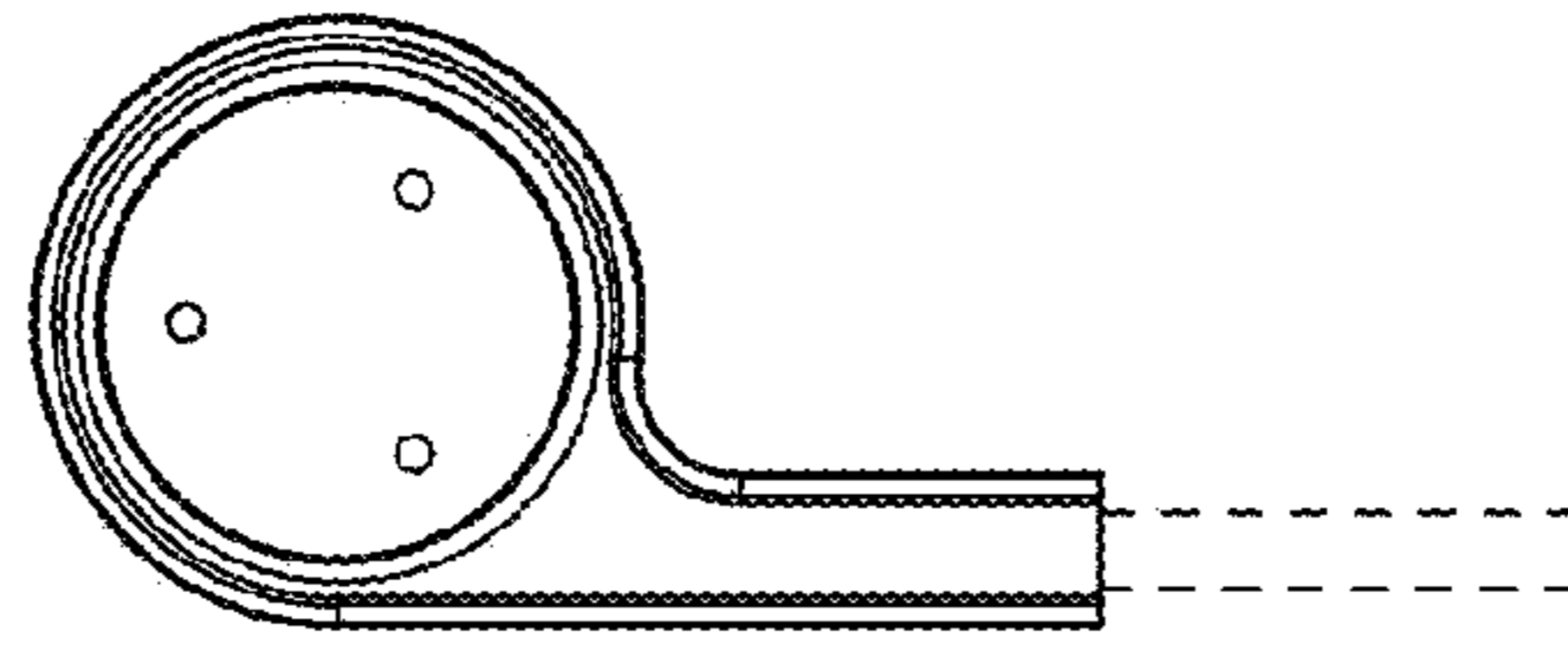


Fig. 11