



US00D716270S

(12) **United States Design Patent**
Wang et al.

(10) **Patent No.:** **US D716,270 S**
(45) **Date of Patent:** **** Oct. 28, 2014**

(54) **REMOTE CONTROL**

(71) Applicant: **Hon Hai Precision Industry Co., Ltd.**,
New Taipei (TW)

(72) Inventors: **Wen-Pin Wang**, New Taipei (TW);
Hao-Yuan Wu, New Taipei (TW)

(73) Assignee: **Hon Hai Precision Industry Co., Ltd.**,
New Taipei (TW)

(**) Term: **14 Years**

(21) Appl. No.: **29/465,028**

(22) Filed: **Aug. 23, 2013**

(30) **Foreign Application Priority Data**

Aug. 12, 2013 (TW) 102305454 A

(51) **LOC (10) Cl.** **14-03**

(52) **U.S. Cl.**
USPC **D14/218**

(58) **Field of Classification Search**
USPC D14/218, 137-139, 174, 151, 191-193,
D14/299, 167, 168; D13/168, 162-164;
D21/512-517, 566; D10/104, 106;
455/352-355, 151.1-151.4, 128, 347,
455/90.3; 348/114, 734
See application file for complete search history.

(56) **References Cited**

U.S. PATENT DOCUMENTS

D405,796 S * 2/1999 Uehara D14/218
D413,328 S * 8/1999 Kazama D14/218
D435,580 S * 12/2000 Grinkus D17/99

D443,596 S * 6/2001 Ohkuma D13/168
D506,612 S * 6/2005 Rosa et al. D3/301
D531,588 S * 11/2006 Peh D13/168
D531,964 S * 11/2006 Peh D13/168
D543,197 S * 5/2007 Loughnane D14/218
D551,215 S * 9/2007 Lee et al. D14/218
D557,666 S * 12/2007 Schroter D13/168
D564,976 S * 3/2008 Billings et al. D13/168
D639,782 S * 6/2011 Kim D14/218
D641,718 S * 7/2011 Sakai D13/168
D656,487 S * 3/2012 Corsini et al. D14/218
D665,383 S * 8/2012 McManigal et al. D14/218
D670,659 S * 11/2012 Ishikawa et al. D13/168
D688,214 S * 8/2013 Ducret et al. D13/168
D692,398 S * 10/2013 Felegy et al. D13/168
2009/0303199 A1 * 12/2009 Cho et al. 345/173

* cited by examiner

Primary Examiner — John Windmuller

(74) *Attorney, Agent, or Firm* — Novak Druce Connolly
Bove + Quigg LLP

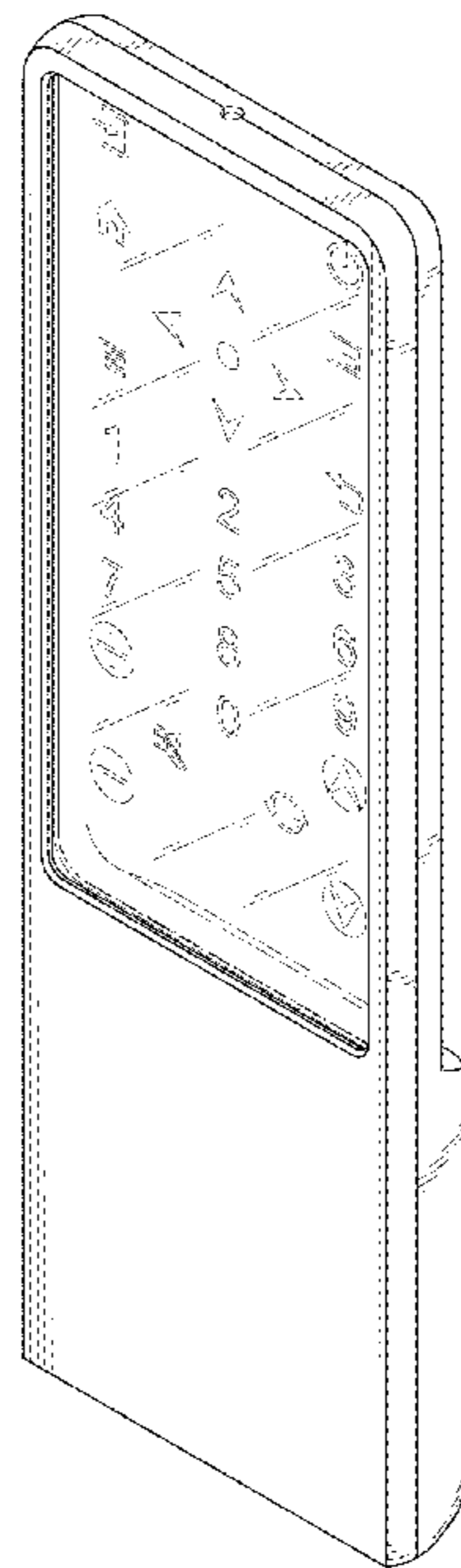
(57) **CLAIM**

The ornamental design for a remote control, as shown and
described.

DESCRIPTION

FIG. 1 is a perspective view of a remote control showing our
design;
FIG. 2 is a front elevational view thereof;
FIG. 3 is a rear elevational view thereof;
FIG. 4 is a left side, elevational view thereof;
FIG. 5 is a right side, elevational view thereof;
FIG. 6 is a top plan view thereof; and,
FIG. 7 is a bottom plan view thereof.
The broken lines in FIGS. 1, 3, 6, and 7 depict portions of the
remote control that form no part of the claimed design.

1 Claim, 7 Drawing Sheets



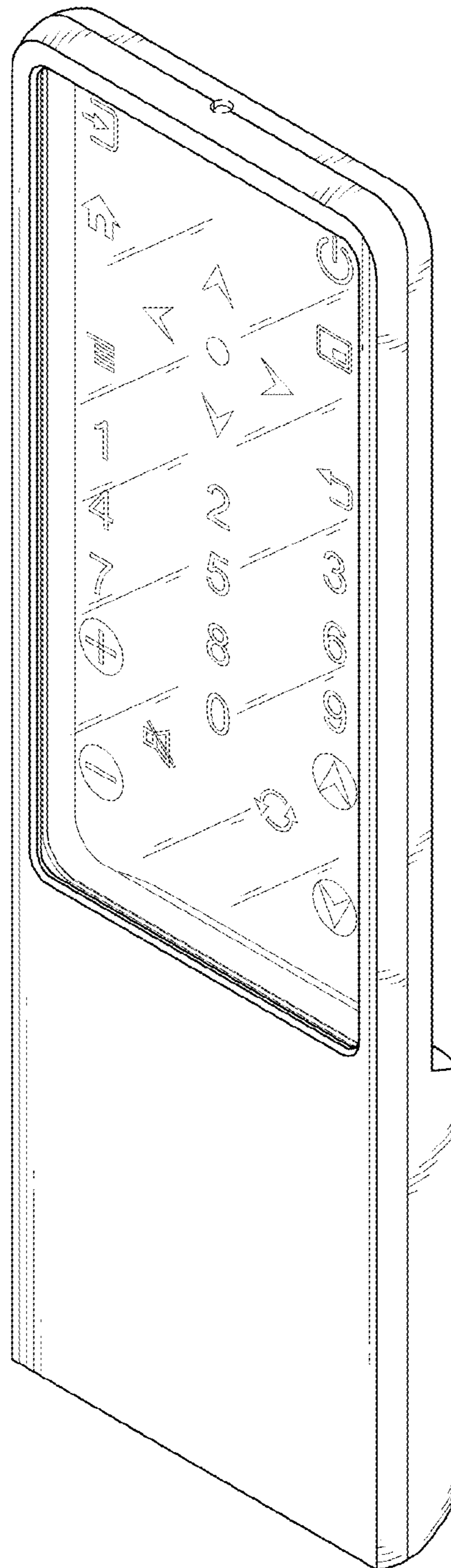


FIG. 1

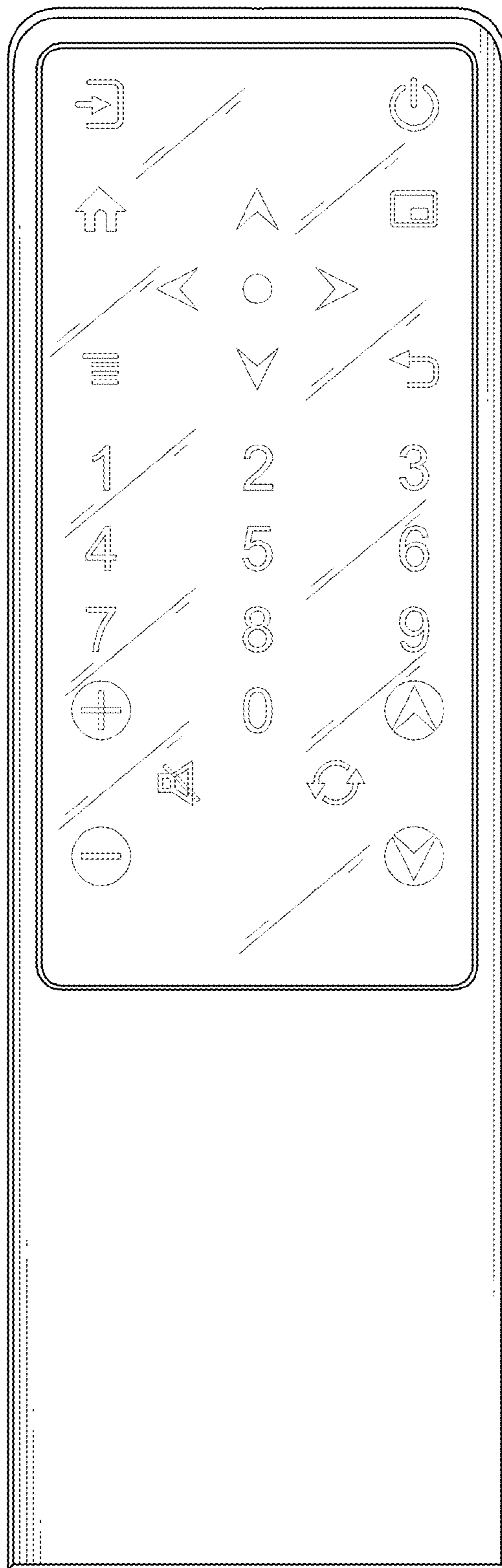


FIG. 2

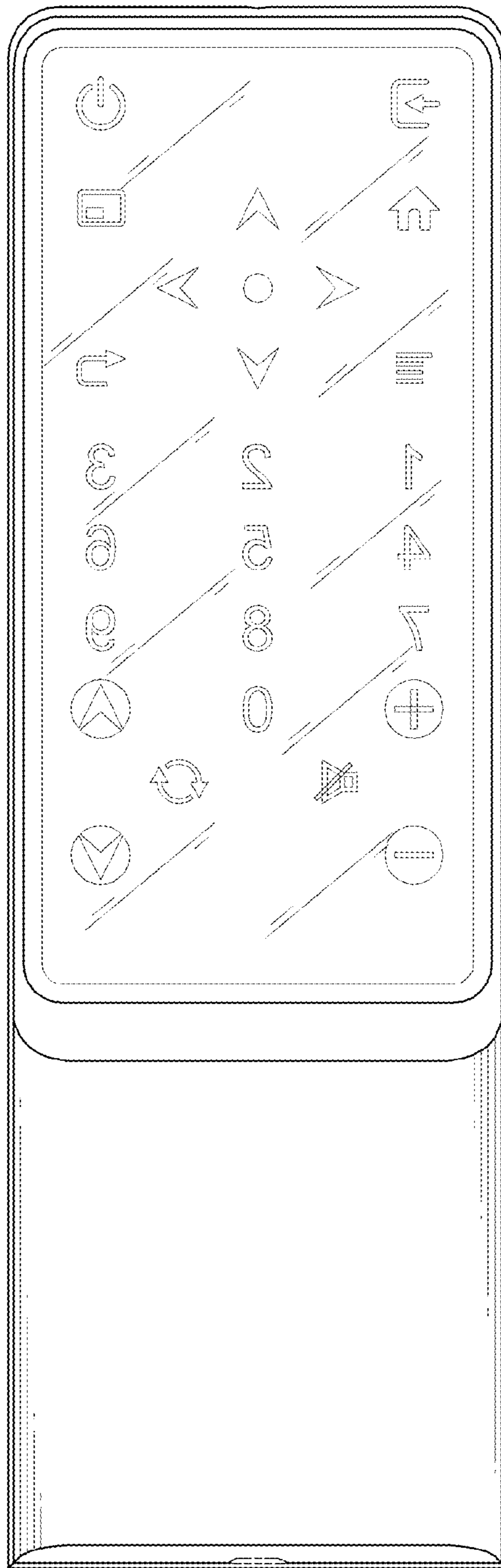


FIG. 3

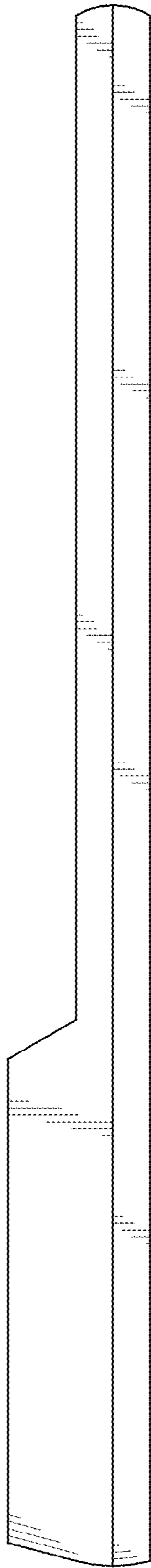


FIG. 4

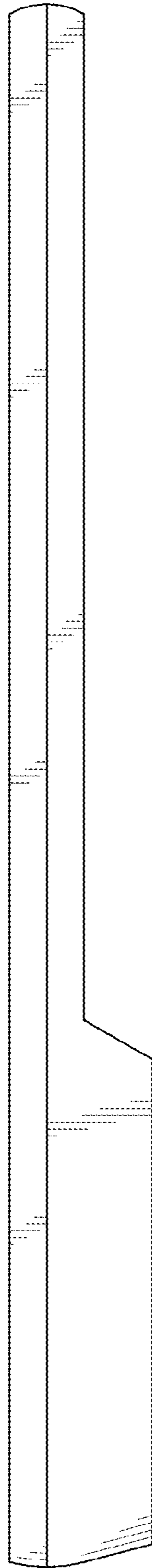


FIG. 5

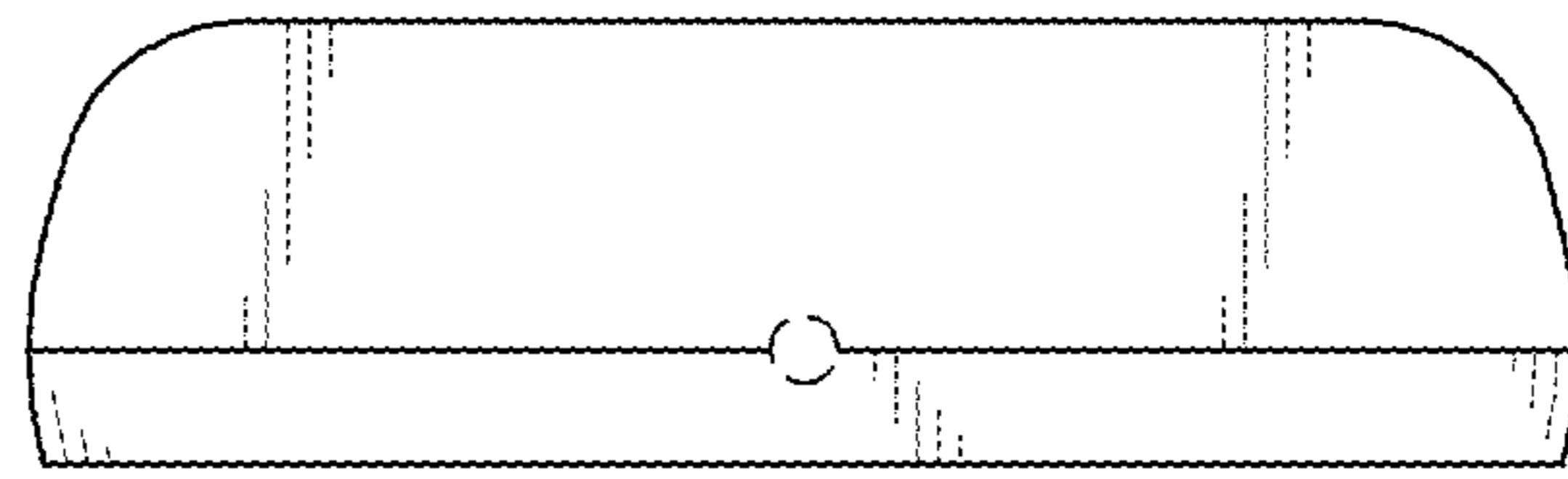


FIG. 6

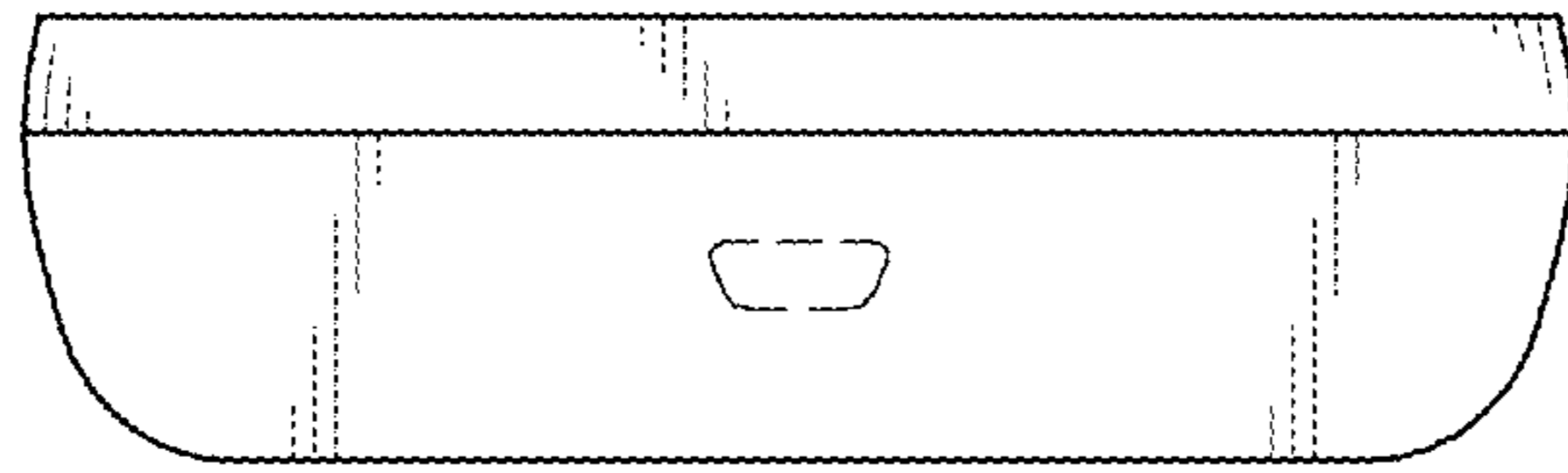


FIG. 7