



US00D716268S

(12) **United States Design Patent**
Yamamoto

(10) **Patent No.:** **US D716,268 S**
(45) **Date of Patent:** **** Oct. 28, 2014**

(54) **REMOTE CONTROL**

(71) Applicant: **Ever Win International Corporation,**
City of Industry, CA (US)

(72) Inventor: **Yasuhiro Yamamoto,** Los Angeles, CA
(US)

(73) Assignee: **Ever Win International Corporation,**
City of Industry, CA (US)

(**) Term: **14 Years**

(21) Appl. No.: **29/460,296**

(22) Filed: **Jul. 9, 2013**

(51) **LOC (10) Cl.** **14-03**

(52) **U.S. Cl.**
USPC **D14/218**

(58) **Field of Classification Search**
USPC D14/218, 137-139, 174, 151, 191-193,
D14/299, 167, 168; D13/168, 162-164;
D21/512-517, 566; D10/104, 106;
455/352-355, 151.1-151.4, 128, 347,
455/90.3; 348/114, 734
See application file for complete search history.

(56) **References Cited**

U.S. PATENT DOCUMENTS

D299,922 S *	2/1989	Schremmer	D14/218
D316,550 S *	4/1991	Sogabe	D14/168
D326,655 S *	6/1992	Iribe	D14/192
D334,043 S *	3/1993	Taniguchi et al.	D14/218
D446,499 S *	8/2001	Andre et al.	D13/110
D582,354 S *	12/2008	Andre et al.	D13/158

D597,071 S *	7/2009	Andre et al.	D14/206
D600,237 S *	9/2009	Kwon et al.	D14/223
D606,980 S *	12/2009	Bradford	D14/218
D624,058 S *	9/2010	Kolton	D14/225
D625,294 S *	10/2010	Wada	D14/218
D626,921 S *	11/2010	Pang	D13/158
D643,832 S *	8/2011	Park	D14/218
D652,817 S *	1/2012	Lee et al.	D14/205
D682,808 S *	5/2013	Fletcher et al.	D14/205
D685,750 S *	7/2013	Nakagawa	D13/168
D698,750 S *	2/2014	Yoon	D14/206
D699,703 S *	2/2014	Schaal et al.	D14/205
D700,167 S *	2/2014	Hardi	D14/205

* cited by examiner

Primary Examiner — John Windmuller

(74) *Attorney, Agent, or Firm* — Joe Nieh

(57) **CLAIM**

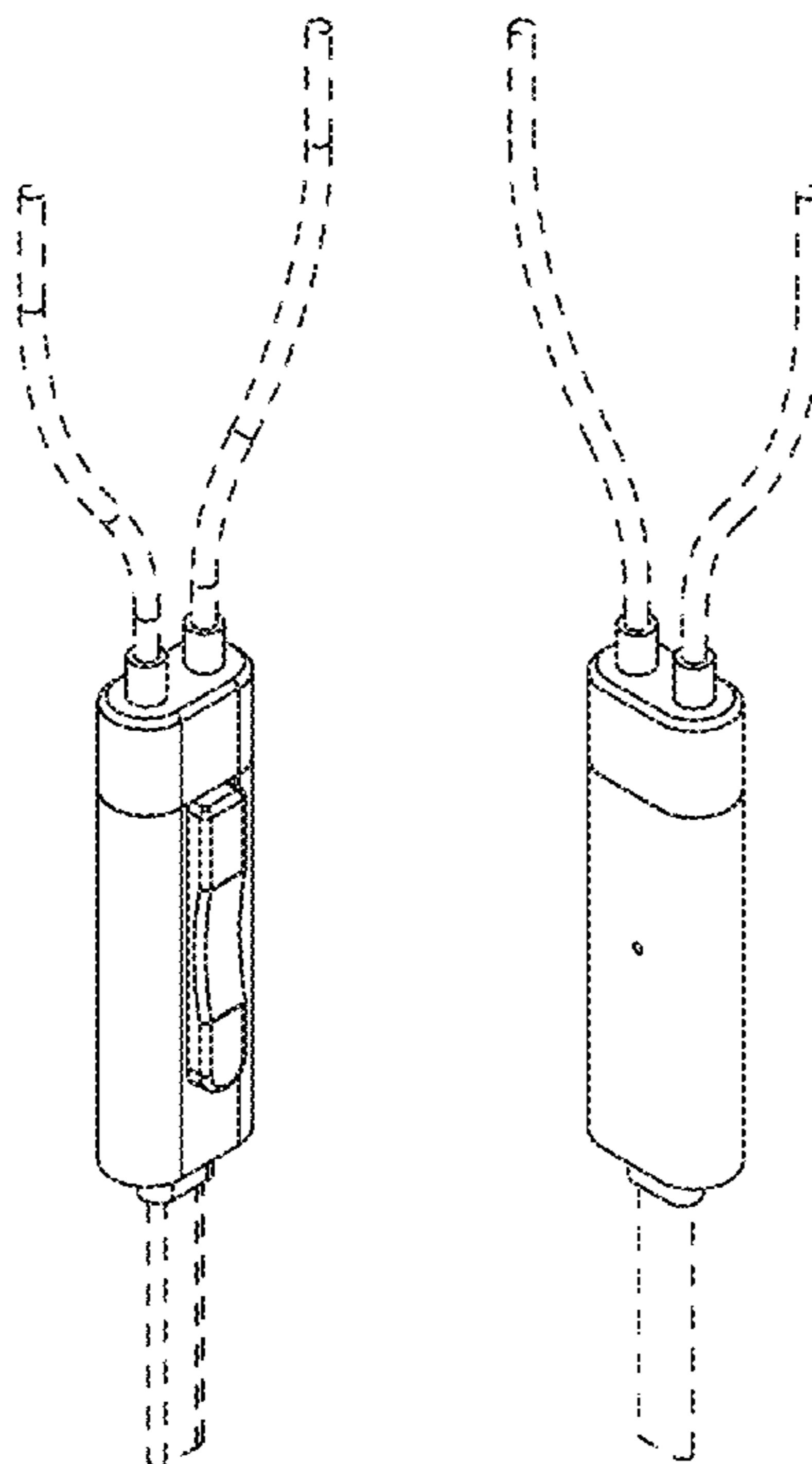
The ornamental design for a remote control, as shown and described.

DESCRIPTION

FIG. 1 is a front perspective view of a remote control showing my new design;
FIG. 2 is a rear perspective view thereof;
FIG. 3 is a front view thereof;
FIG. 4 is a left side view thereof;
FIG. 5 is a right side view thereof;
FIG. 6 is a rear view thereof;
FIG. 7 is a top view thereof; and,
FIG. 8 is a bottom view thereof.

The broken lines shown in the drawings are included for the purpose of illustrating unclaimed portions of the remote control and form no part of the claimed design.

1 Claim, 2 Drawing Sheets



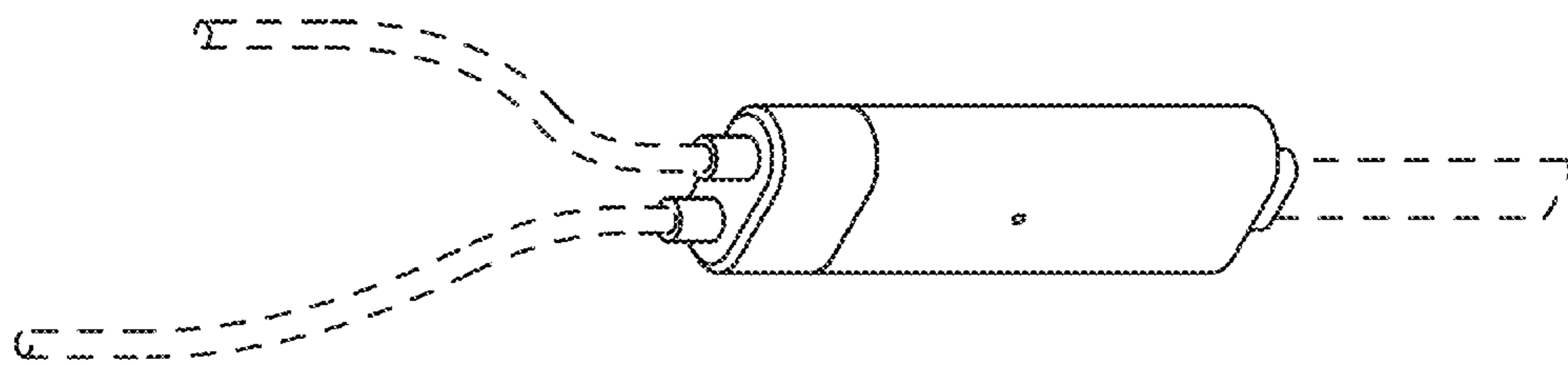


Fig. 2

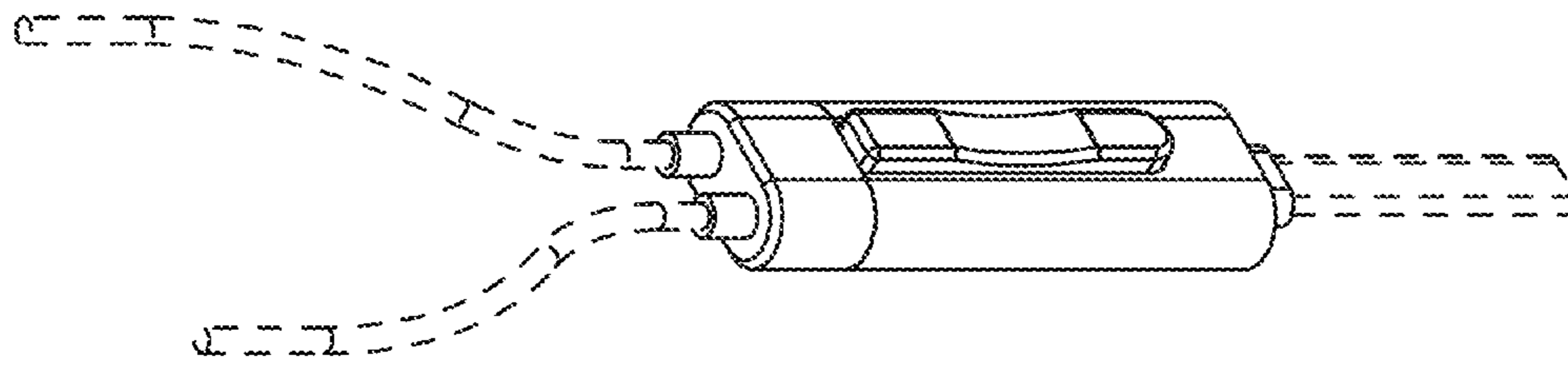


Fig. 1



Fig. 7

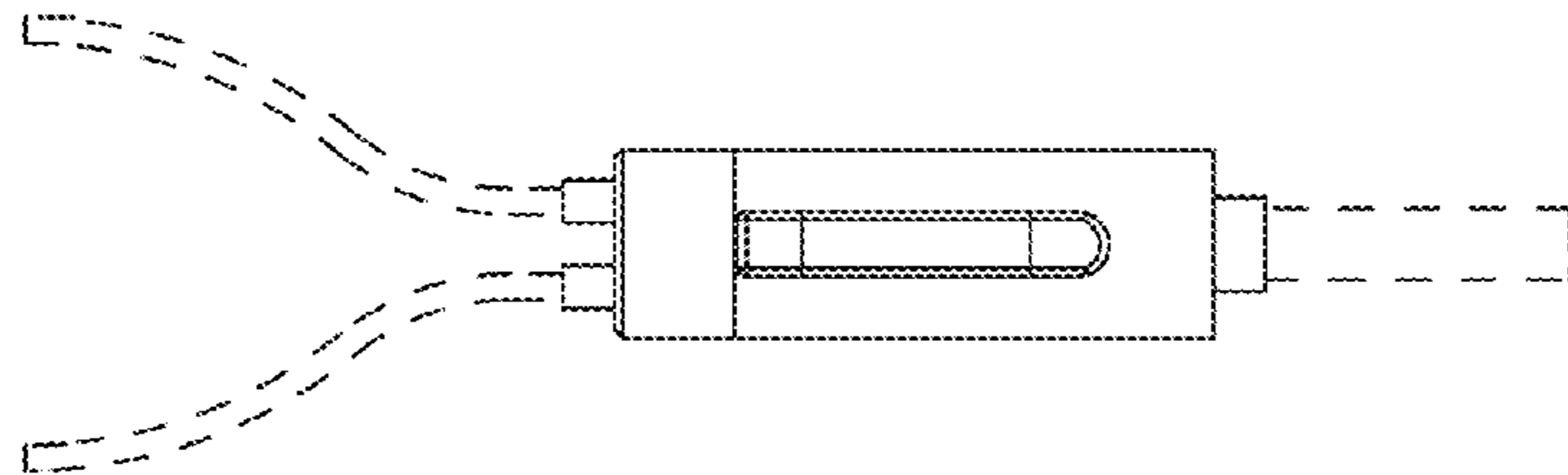


Fig. 3



Fig. 8

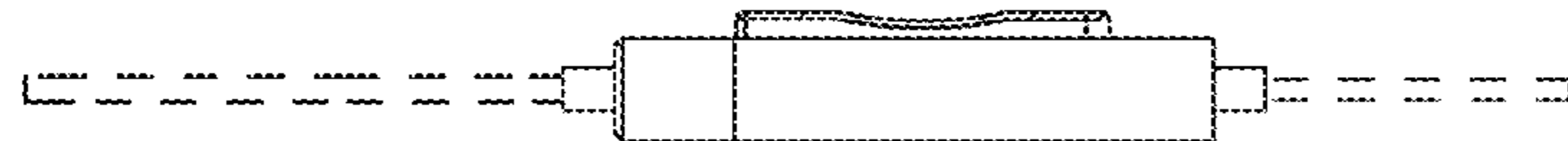


Fig. 4

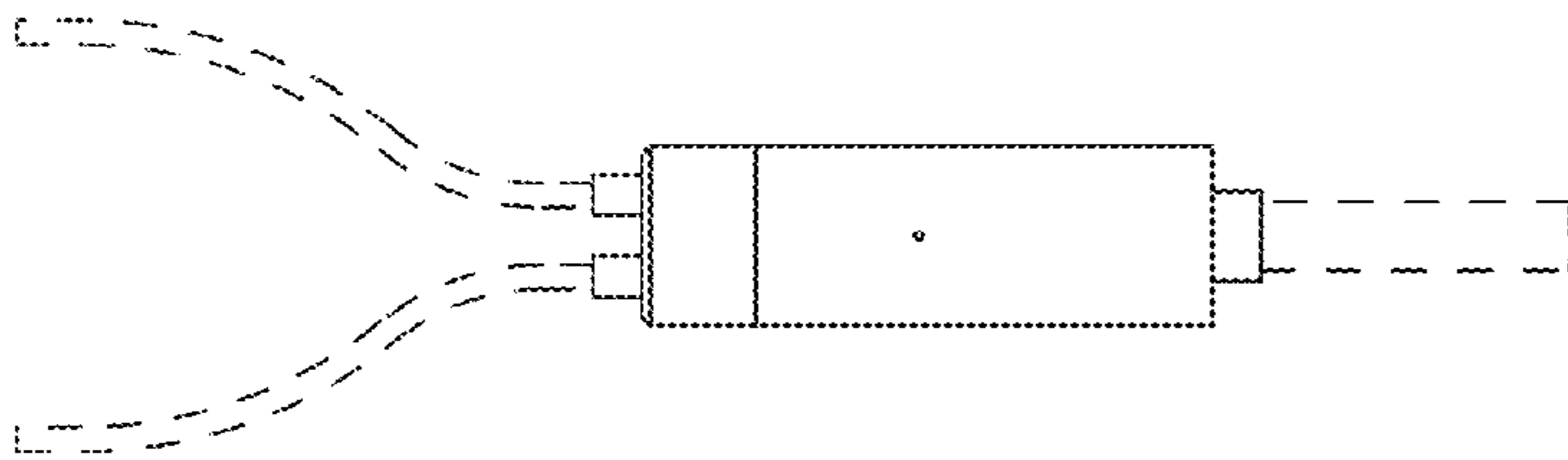


Fig. 6



Fig. 5