



US00D716267S

(12) **United States Design Patent**
Kim et al.

(10) **Patent No.:** **US D716,267 S**
(45) **Date of Patent:** **** Oct. 28, 2014**

(54) **WIRELESS AUDIO**

(71) Applicant: **Samsung Electronics Co., Ltd.**,
Suwon-si (KR)

(72) Inventors: **Ji-Gwang Kim**, Seoul (KR); **Jae-Neung Lee**, Ahnsan-Si (KR); **Joon-Soo Kim**, Seoul (KR)

(73) Assignee: **Samsung Electronics Co., Ltd.**,
Suwon-si (KR)

(**) Term: **14 Years**

(21) Appl. No.: **29/446,973**

(22) Filed: **Feb. 28, 2013**

(30) **Foreign Application Priority Data**

Aug. 29, 2012 (KR) 30-2012-0041601

(51) **LOC (10) Cl.** **14-03**

(52) **U.S. Cl.**
USPC **D14/217; D14/188; D14/204**

(58) **Field of Classification Search**
USPC D14/131, 132, 137, 155, 157, 168-171,
D14/188, 193-195, 197, 198, 204, 210-217,
D14/239, 257, 258, 496, 498-508;
455/90.1-90.3, 344-355; 369/6-12
See application file for complete search history.

(56) **References Cited**

U.S. PATENT DOCUMENTS

D239,734 S * 4/1976 Vong D14/192
D277,724 S * 2/1985 Daenen et al. D7/392

D503,409 S * 3/2005 Wong et al. D14/203.7
D556,186 S * 11/2007 Bhavnani D14/192
D568,310 S * 5/2008 Franck et al. D14/356
D579,915 S * 11/2008 Yeo D14/214
D658,180 S * 4/2012 Kim et al. D14/402
D677,623 S * 3/2013 Fitch et al. D13/108
D682,199 S * 5/2013 Rautiainen D13/108
D690,286 S * 9/2013 Petersen D14/211
D690,648 S * 10/2013 Ireland et al. D13/108

* cited by examiner

Primary Examiner — Keli L Hill

(74) *Attorney, Agent, or Firm* — NSIP Law

(57) **CLAIM**

The ornamental design for a wireless audio, as shown and described.

DESCRIPTION

FIG. 1 is a front perspective view of a wireless audio, showing an example environment;
FIG. 2 is a front view of the wireless audio of FIG. 1;
FIG. 3 is a rear view of the wireless audio of FIG. 1;
FIG. 4 is a right-side view of the wireless audio of FIG. 1;
FIG. 5 is a top plan view of the wireless audio of FIG. 1;
FIG. 6 is a bottom plan view of the wireless audio of FIG. 1;
FIG. 7 is a rear perspective view of the wireless audio of FIG. 1;
FIG. 8 is a rear perspective view of the wireless audio with the stand in the open position;
FIG. 9 is a right-side view of the wireless audio of FIG. 8; and,
FIG. 10 is a perspective view of the wireless audio.
Features shown in broken lines in FIGS. 1, 2, 3, 4, 5, 6, 7, 8, 9, and 10, form no part of the claimed design.

1 Claim, 8 Drawing Sheets

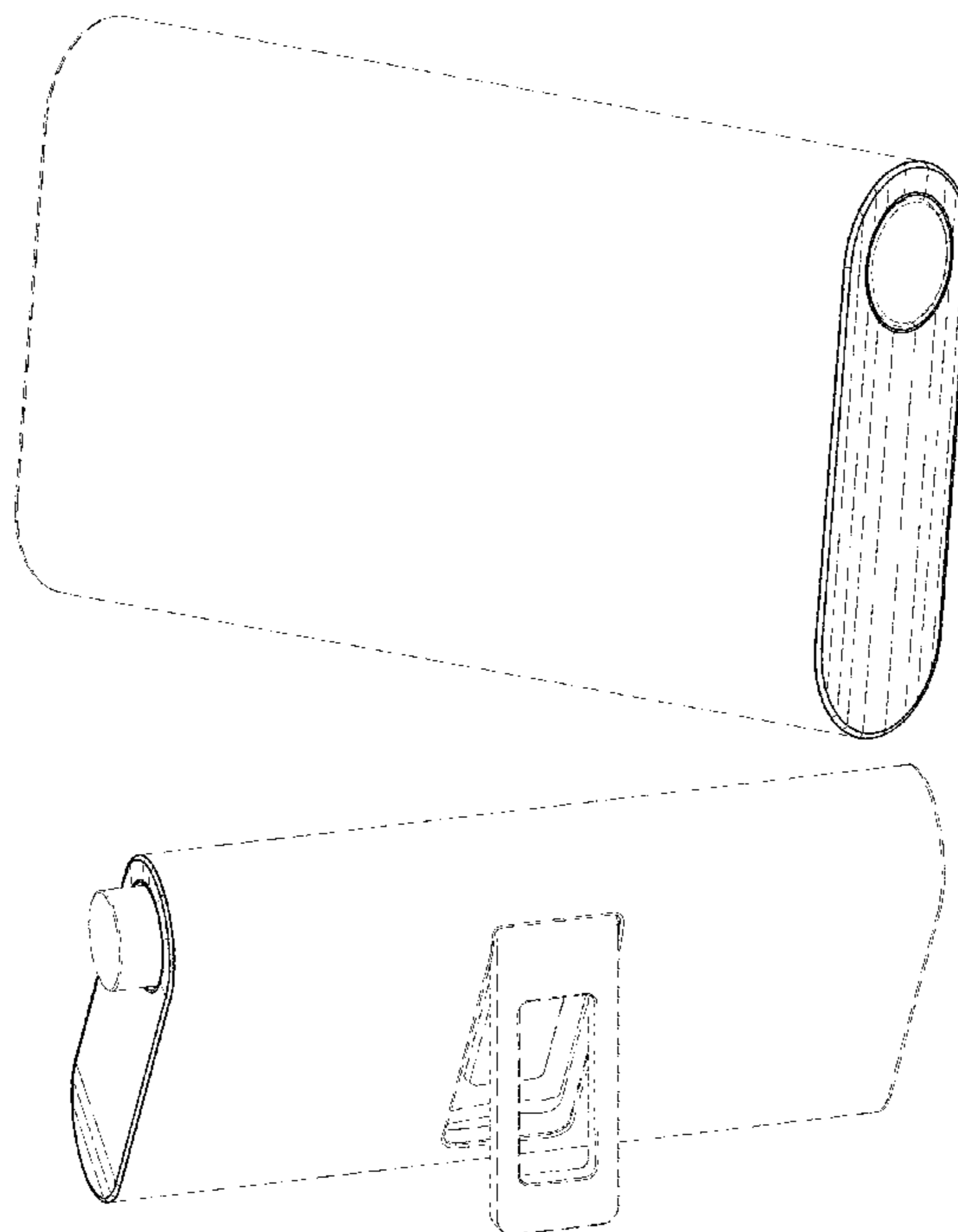


FIG. 1

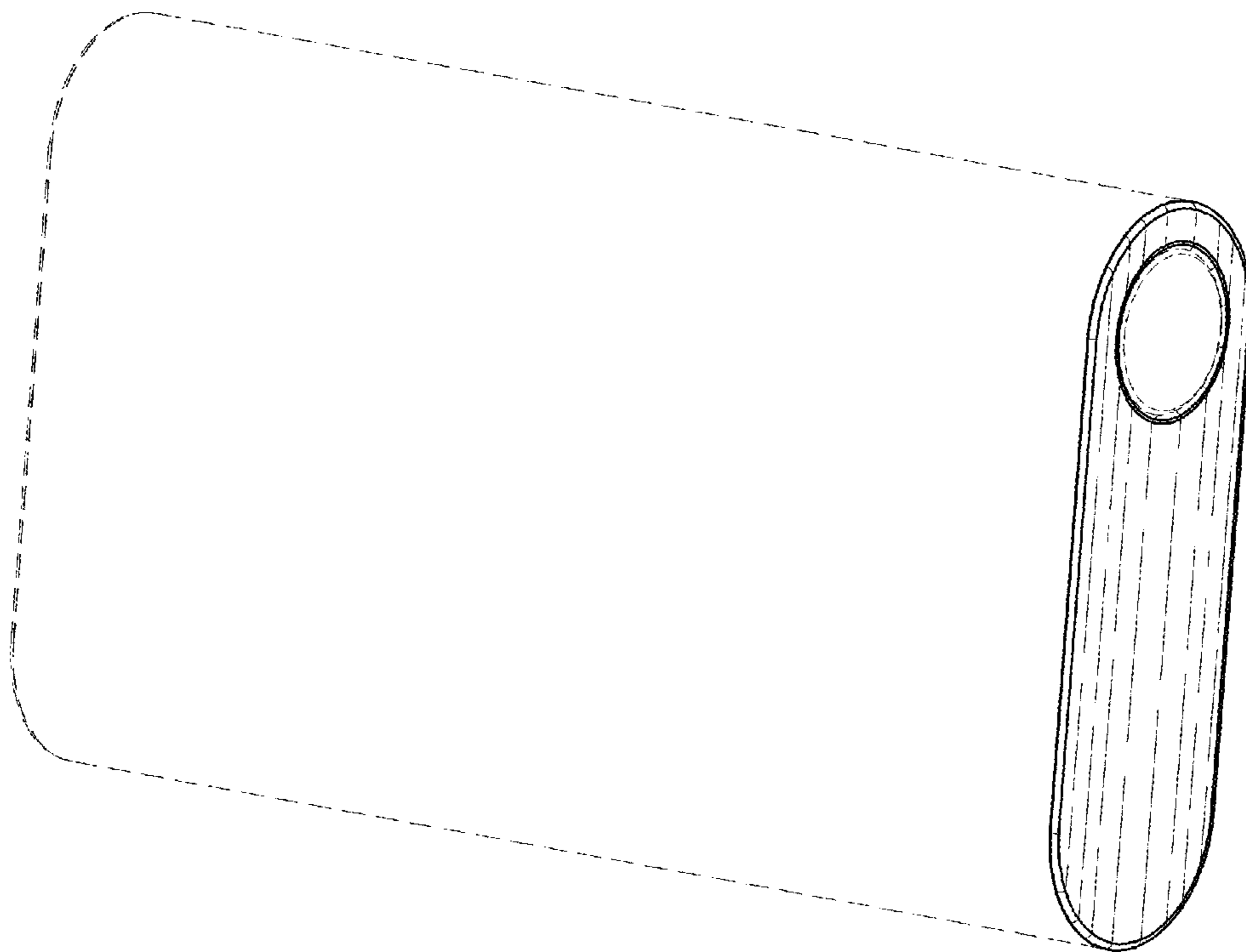


FIG. 2

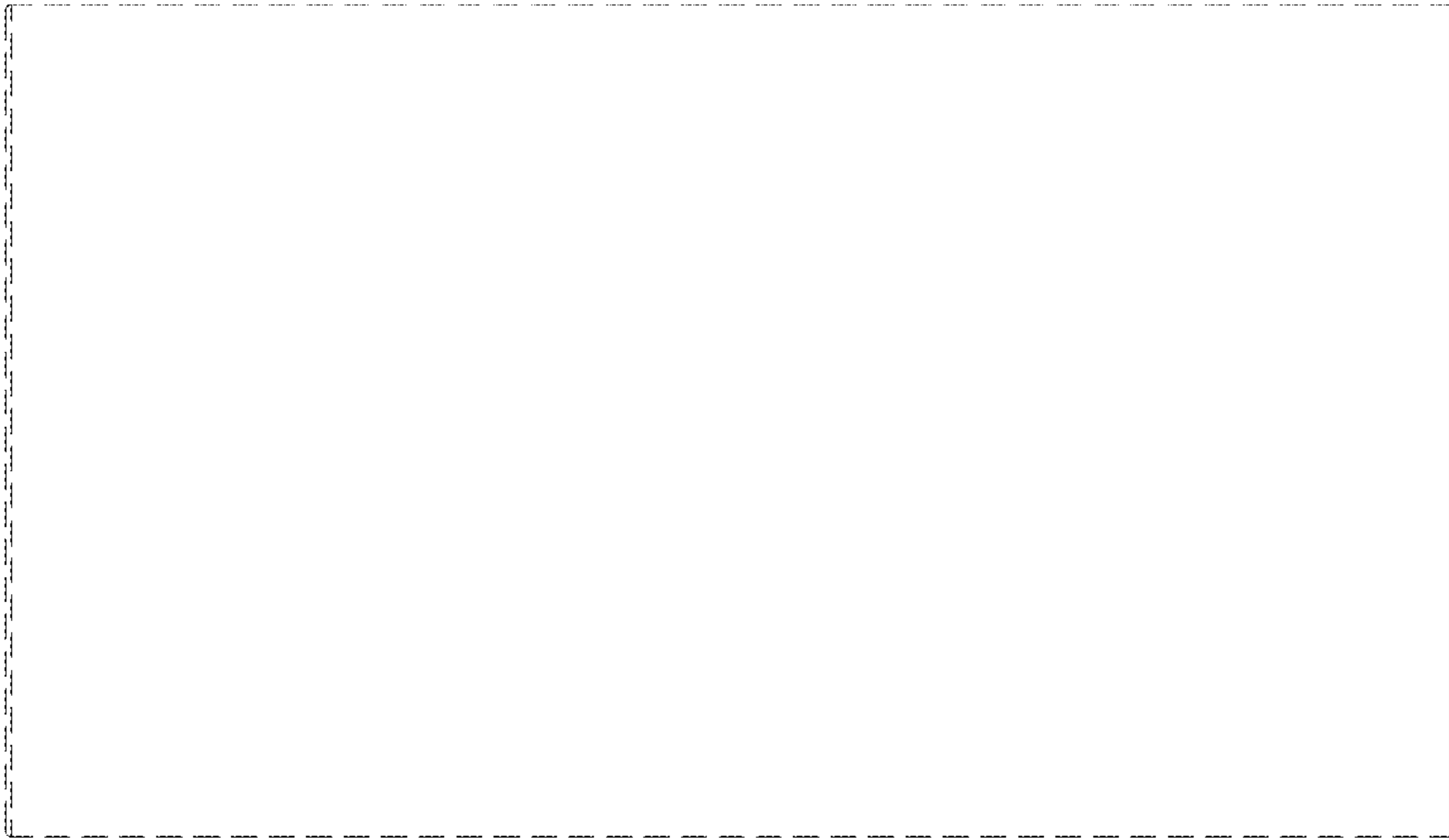


FIG. 3

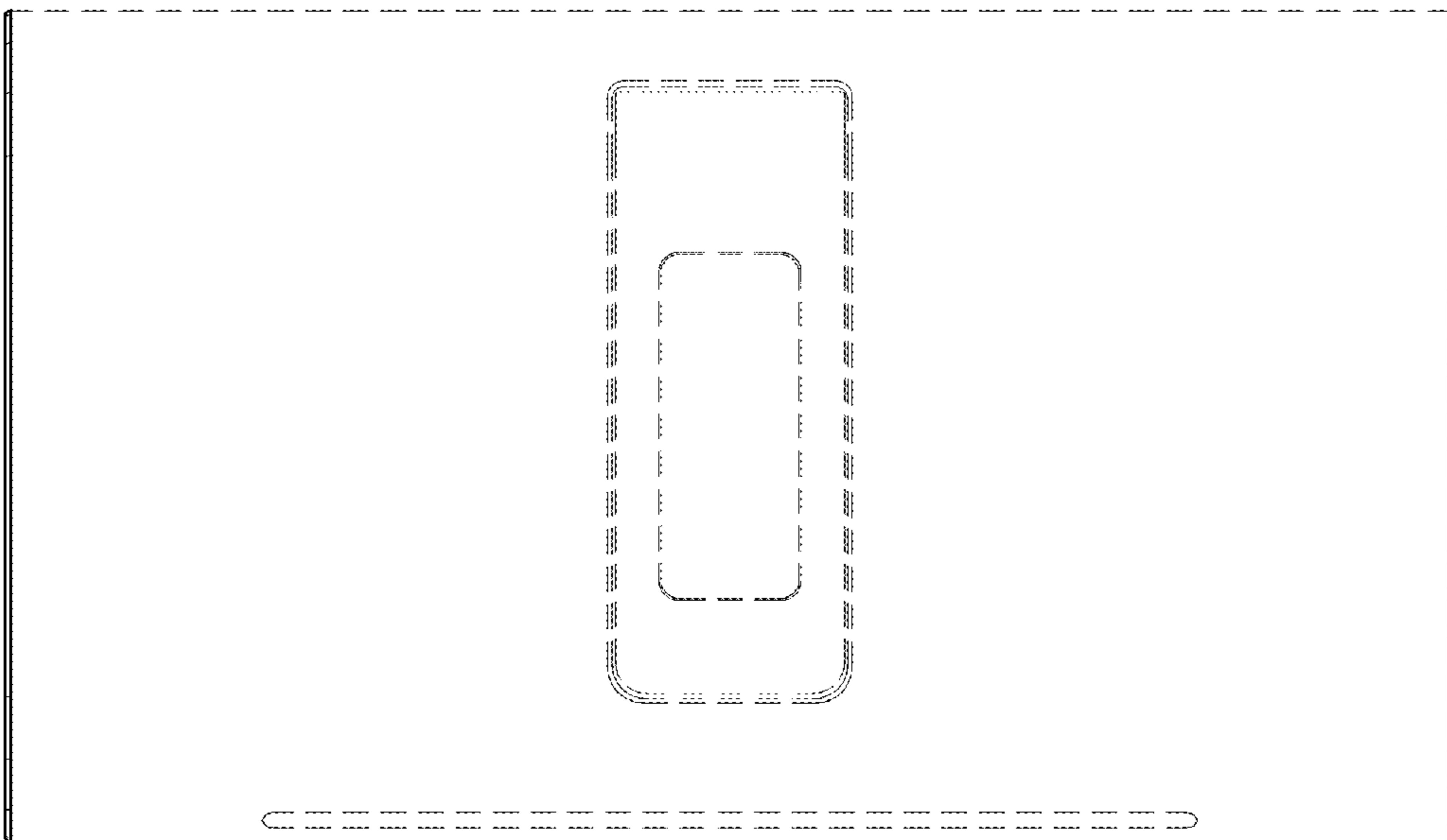


FIG. 4

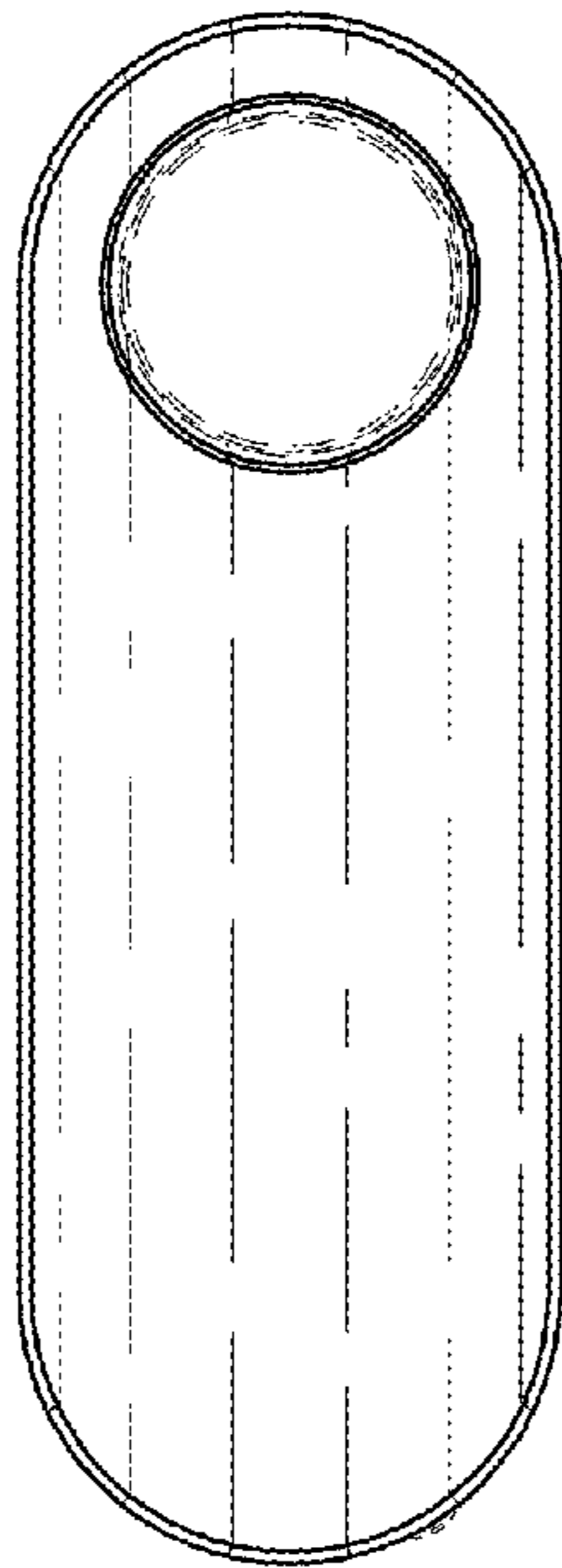


FIG. 5

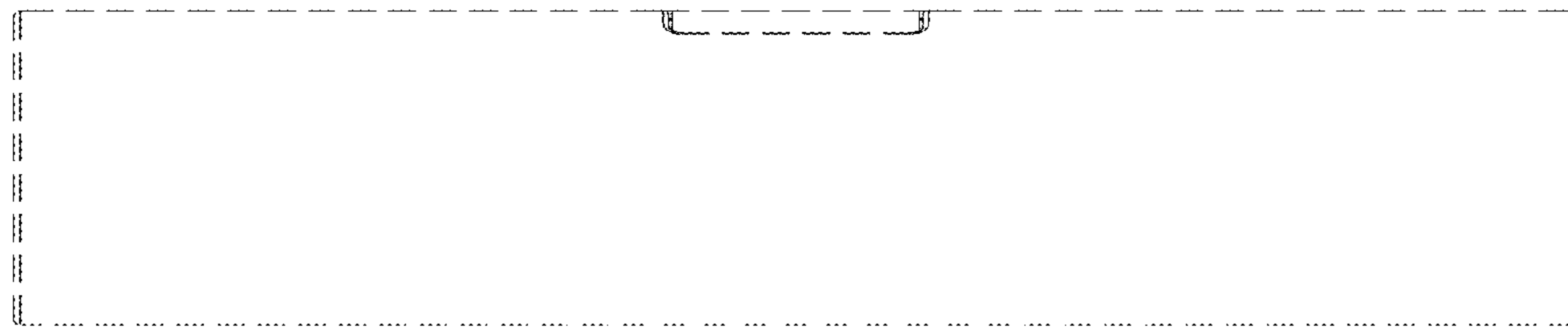


FIG. 6

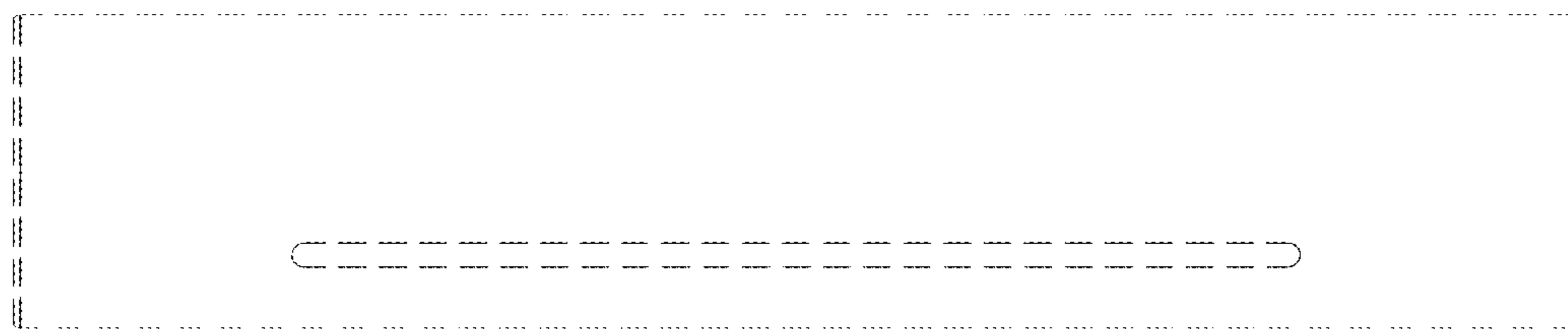


FIG. 7

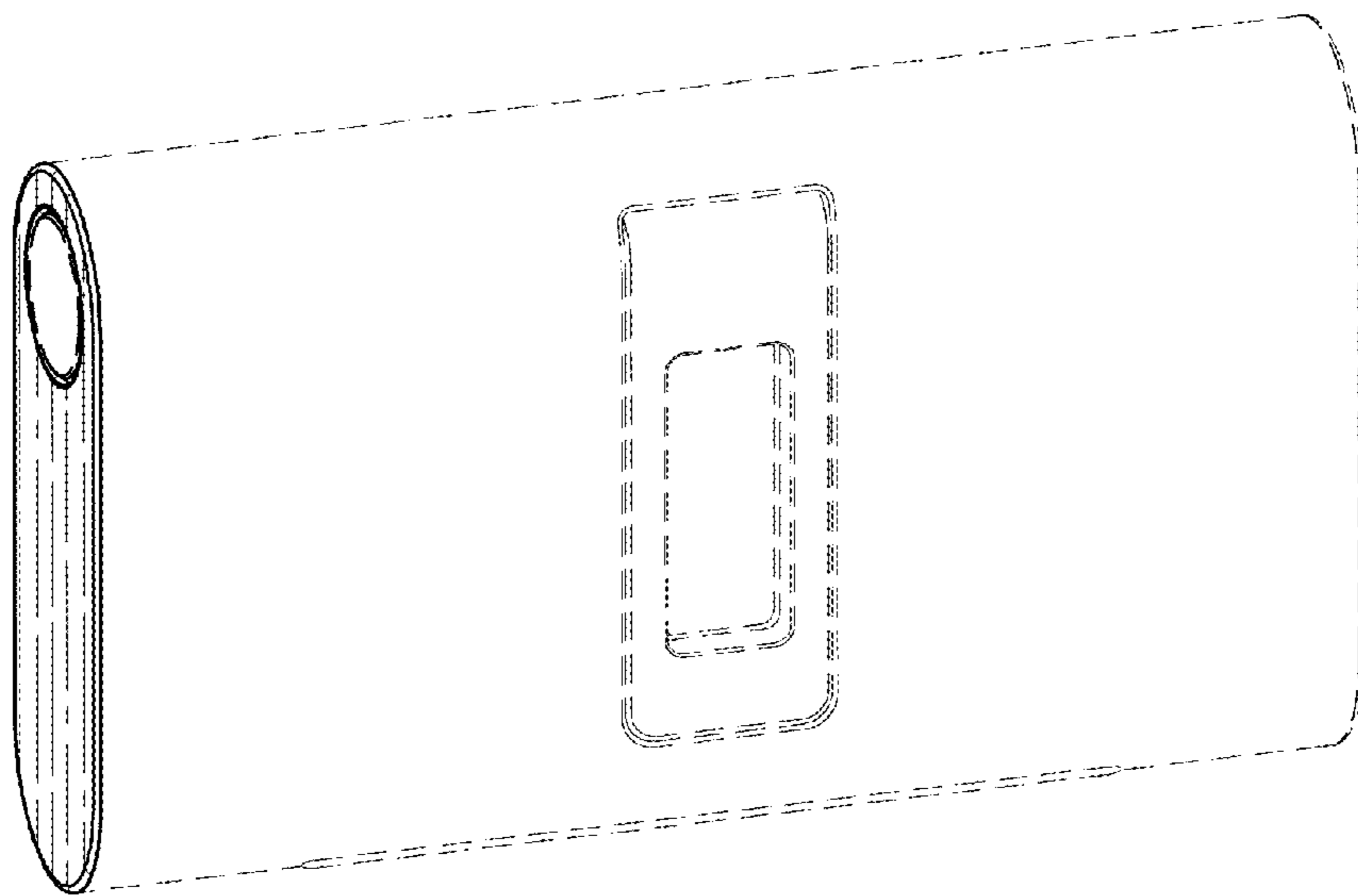


FIG. 8

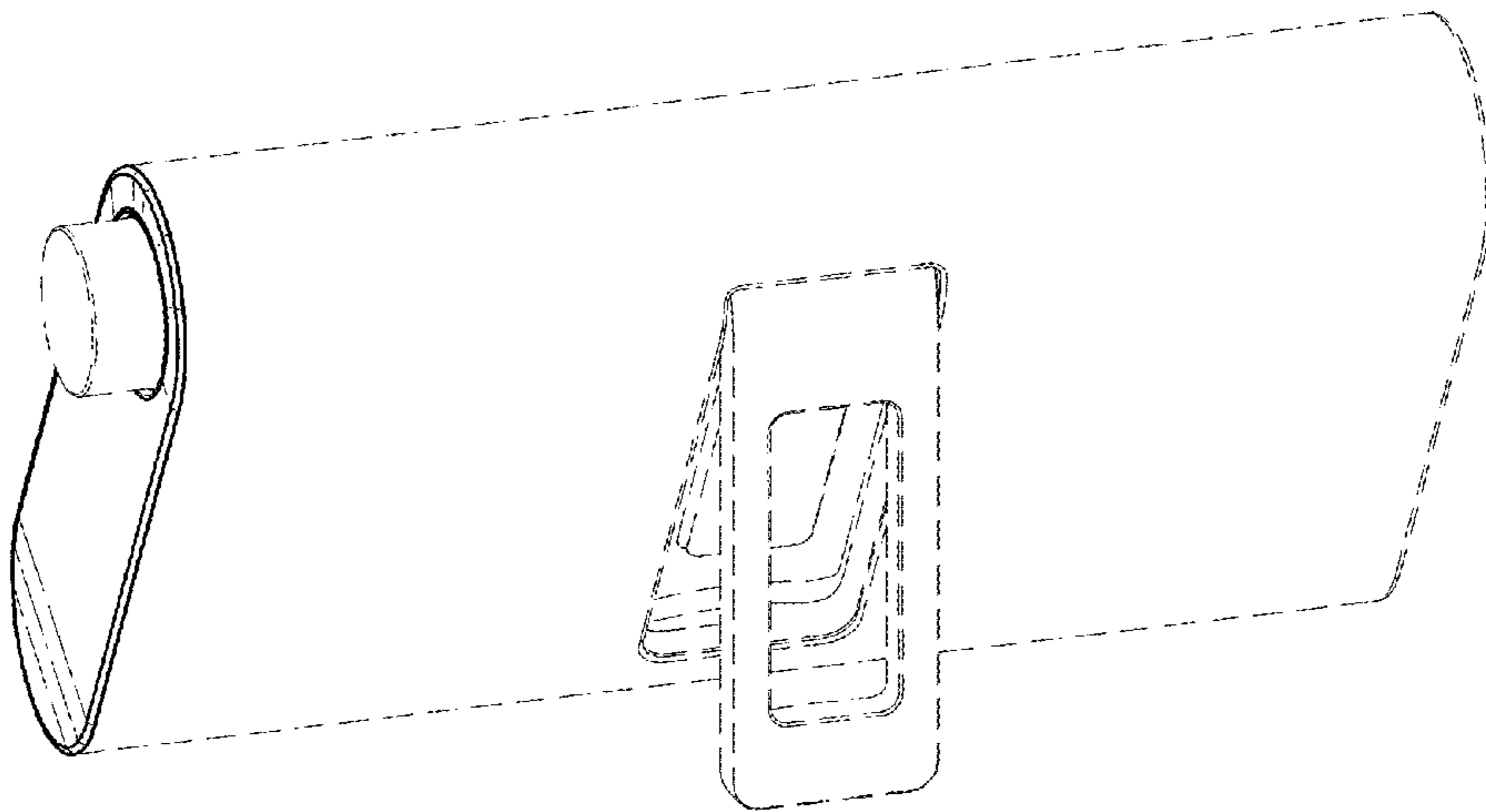


FIG. 9

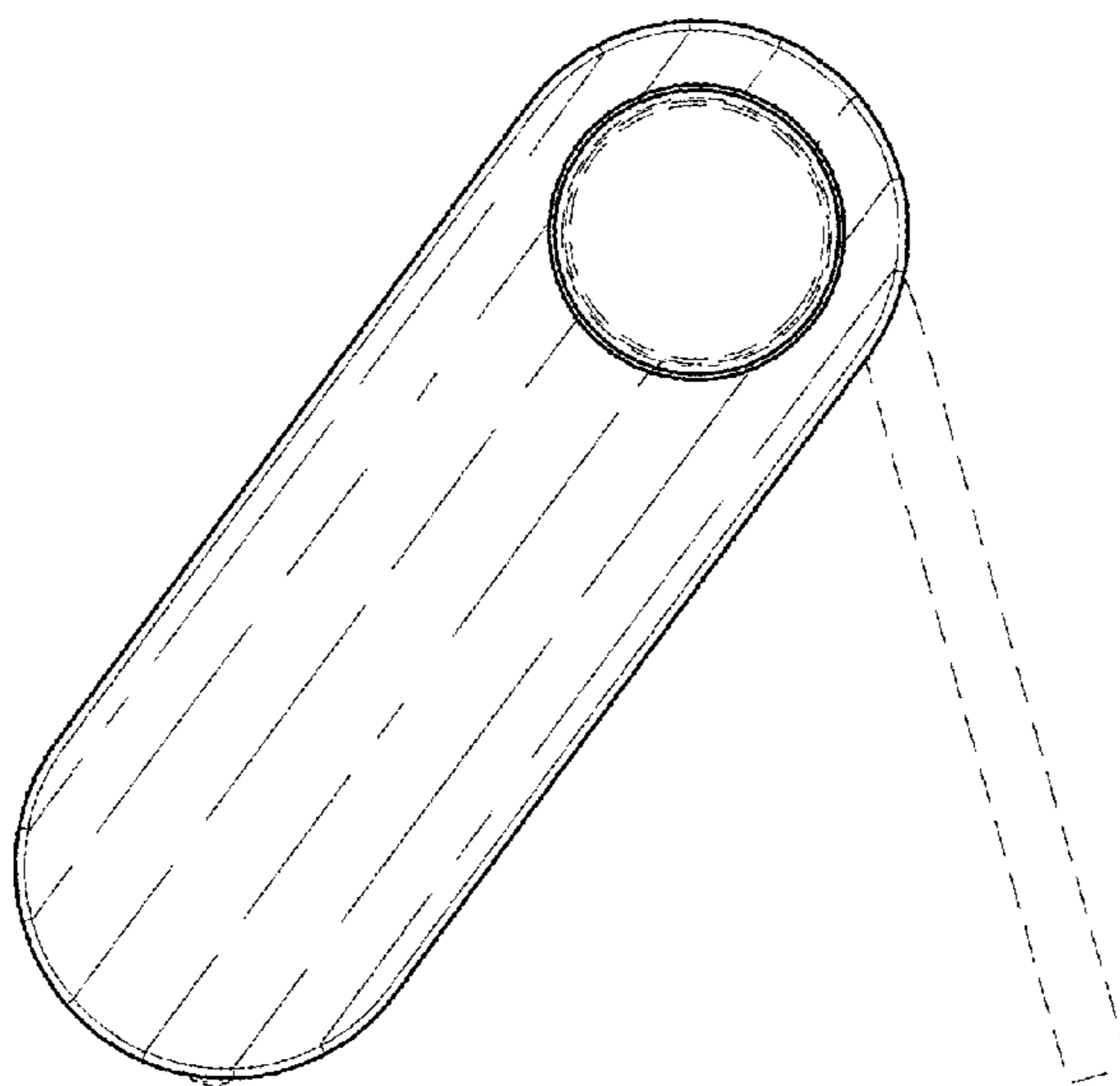


FIG. 10

