



US00D716266S

(12) **United States Design Patent**
Kim et al.

(10) **Patent No.:** **US D716,266 S**
(45) **Date of Patent:** **** Oct. 28, 2014**

(54) **SPEAKER FOR HOME THEATER** 381/333, 336, 345, 361–364, 386–388;
369/6–12

(71) Applicant: **LG Electronics Inc.**, Seoul (KR) See application file for complete search history.

(72) Inventors: **Yongsoo Kim**, Seoul (KR); **Sooyoung Park**, Seoul (KR); **Gangho Woo**, Seoul (KR); **Woosuk Park**, Jeonbuk (KR)

(56) **References Cited**

U.S. PATENT DOCUMENTS

D645,448 S *	9/2011	Kim et al.	D14/211
D659,120 S *	5/2012	Kim et al.	D14/211
D676,422 S *	2/2013	Onoue	D14/214
D683,330 S *	5/2013	Ryu et al.	D14/209.1
D687,812 S *	8/2013	Lee	D14/211
D693,794 S *	11/2013	Nauroy	D14/214

(73) Assignee: **LG Electronics Inc.**, Seoul (KR)

(**) Term: **14 Years**

* cited by examiner

(21) Appl. No.: **29/455,949**

Primary Examiner — Keli L Hill

(22) Filed: **May 28, 2013**

(74) *Attorney, Agent, or Firm* — Morgan, Lewis & Bockius LLP

(30) **Foreign Application Priority Data**

Dec. 6, 2012 (KR) 30-2012-0058785

(51) **LOC (10) Cl.** **14-03**

(52) **U.S. Cl.**
USPC **D14/215; D14/213**

(57) **CLAIM**

The ornamental design for a speaker for home theater, as shown and described.

(58) **Field of Classification Search**

CPC H04M 1/03; H04M 1/035; H04R 1/02;
H04R 1/06; H04R 1/021; H04R 1/025;
H04R 1/026; H04R 1/105; H04R 1/323;
H04R 1/345; H04R 1/403; H04R 1/2803;
H04R 1/2834; H04R 5/02; H04R 7/20;
H04R 9/06; H04R 9/025; H04R 2201/021;
H04R 2400/07; H04R 2499/11; H04R
2499/13; H04R 2499/15; G06F 1/1688;
H04N 5/642

USPC D14/167, 168, 170–172, 188, 194–196,
D14/204, 207, 209.1, 210–216, 221, 222,
D14/224; 181/143, 144, 147, 148, 150, 153,
181/157, 198, 199; 381/300–303, 306, 332,

DESCRIPTION

FIG. 1 is a front, right side, perspective view of a speaker for home theater showing our new design;
FIG. 2 is a front view thereof;
FIG. 3 is a rear view thereof;
FIG. 4 is a left side view thereof;
FIG. 5 is a right side view thereof;
FIG. 6 is a top view thereof; and,
FIG. 7 is a bottom view thereof.

The broken lines shown in the drawings represent unclaimed portions of the speaker for home theater and form no part of the claimed design.

1 Claim, 6 Drawing Sheets

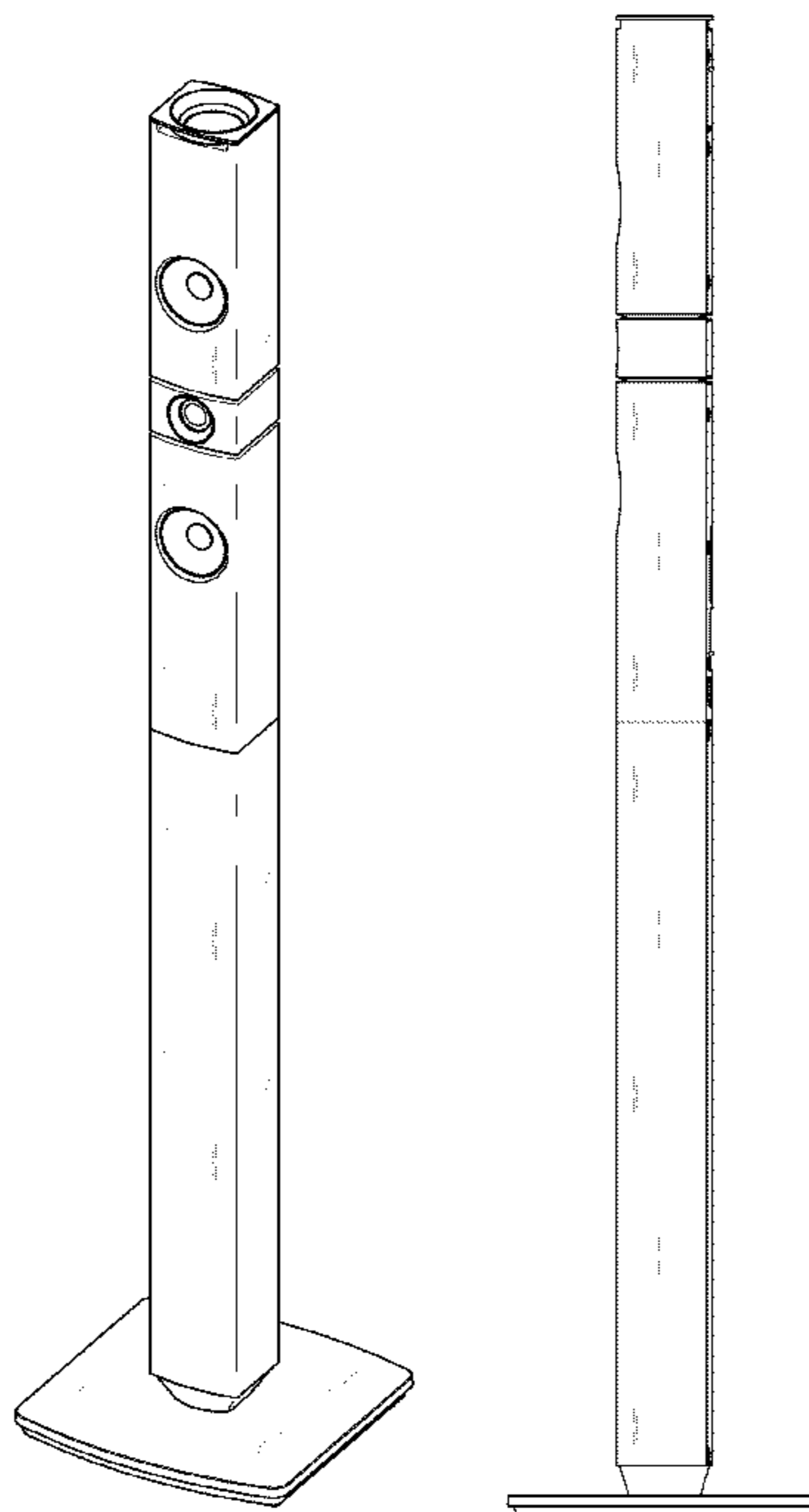


FIG. 1

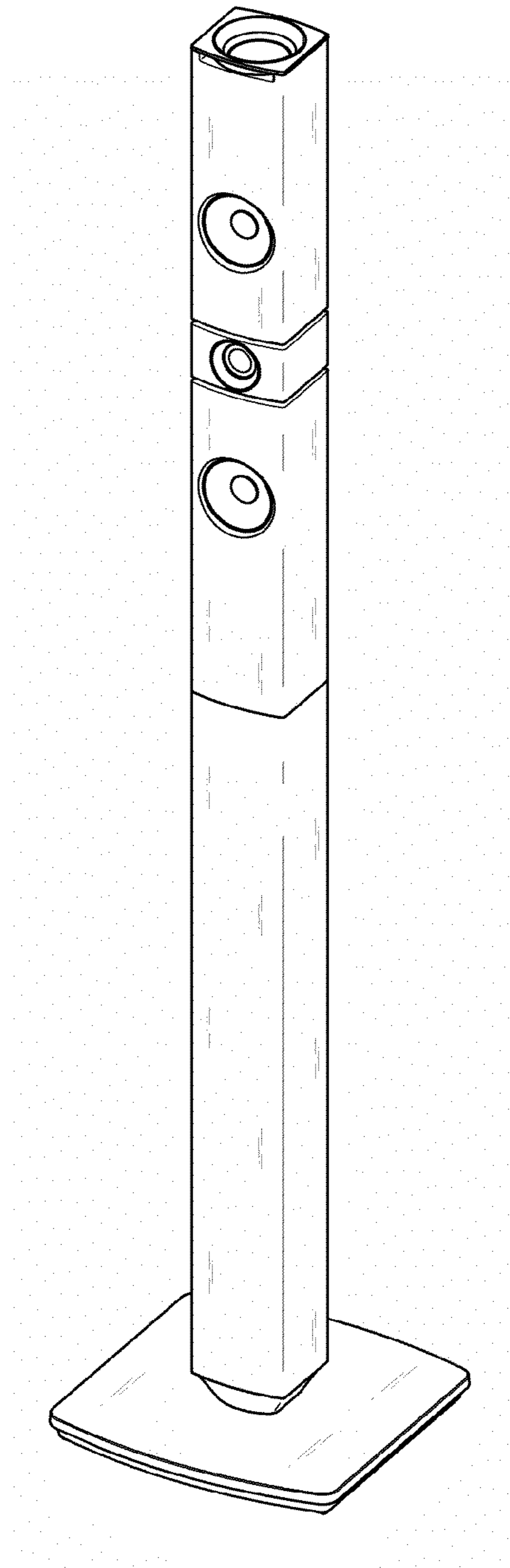


FIG. 2

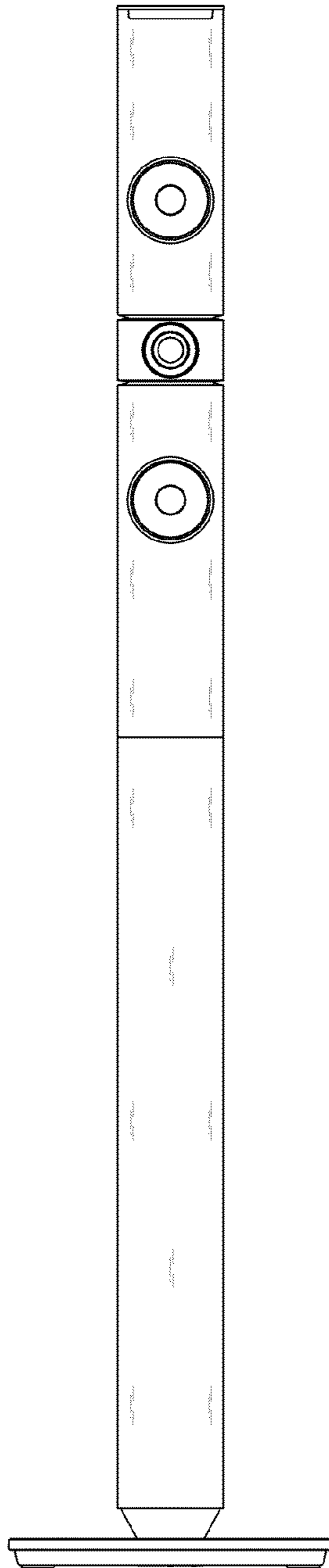


FIG. 3

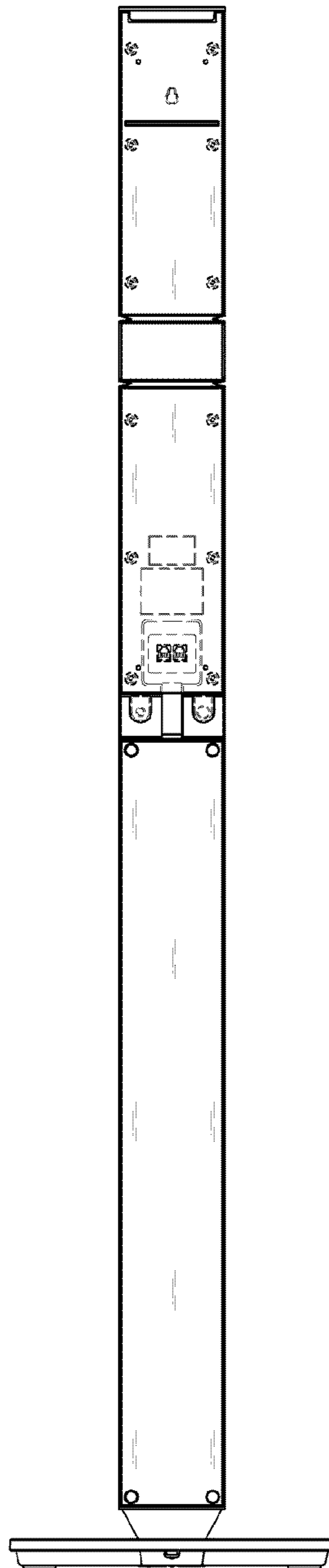


FIG. 4

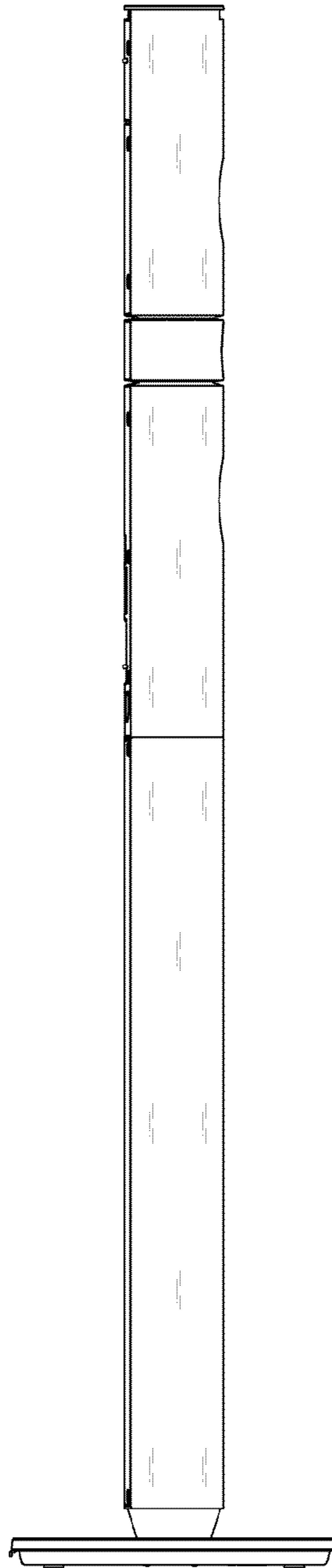


FIG. 5

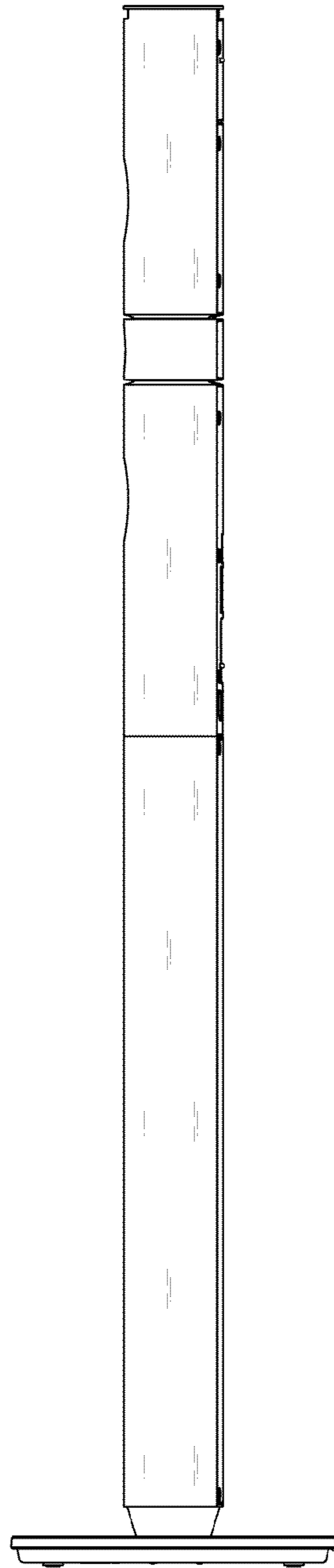


FIG. 6

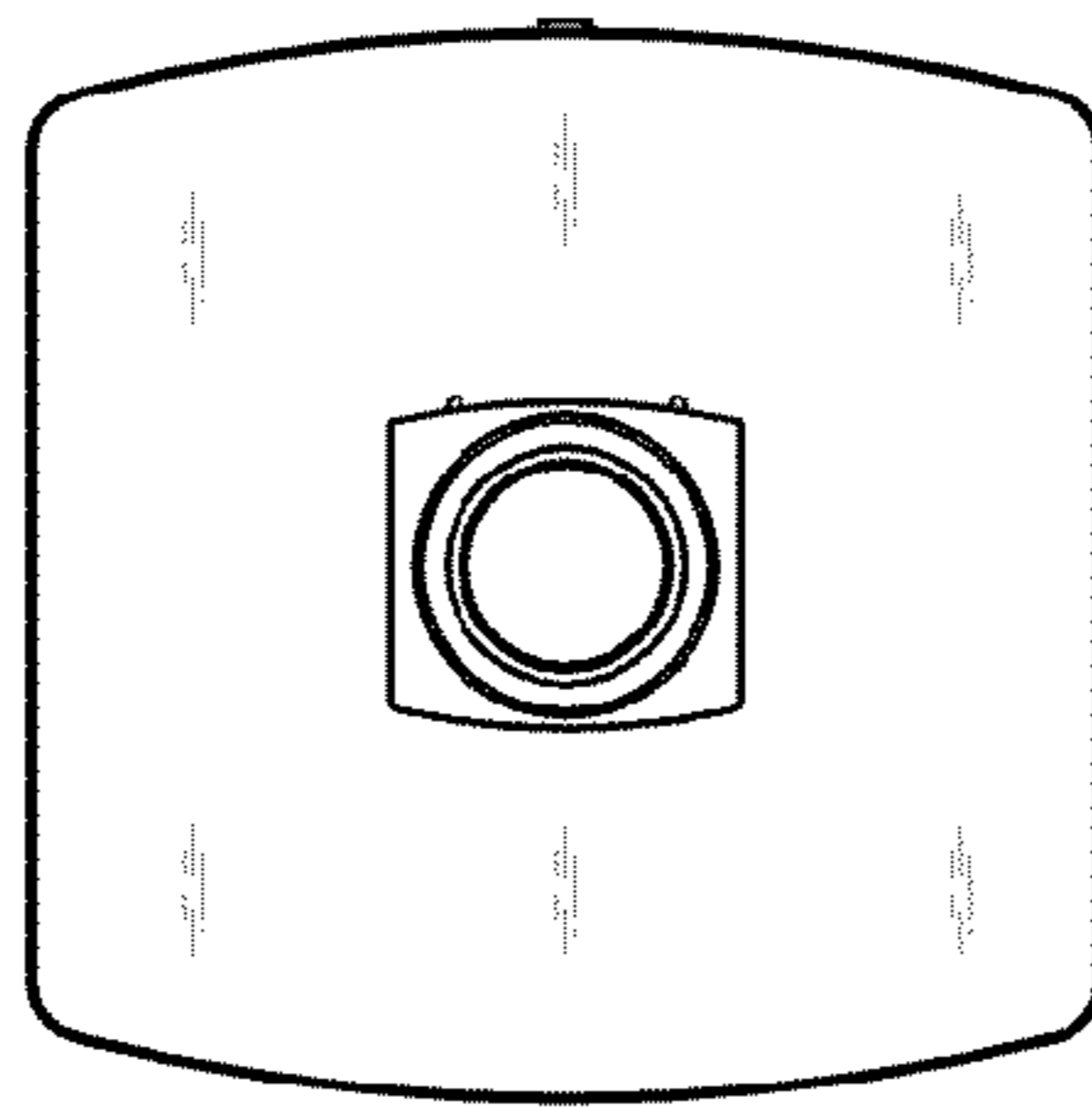


FIG. 7

