



US00D716265S

(12) **United States Design Patent**  
**Park et al.**

(10) **Patent No.:** **US D716,265 S**  
(45) **Date of Patent:** **\*\* Oct. 28, 2014**

(54) **SPEAKER FOR HOME THEATER**

381/333, 336, 345, 361–364, 386–388;  
369/6–12

(71) Applicant: **LG Electronics Inc.**, Seoul (KR)

See application file for complete search history.

(72) Inventors: **Sooyoung Park**, Seoul (KR); **Yongsoo Kim**, Seoul (KR)

(56) **References Cited**

(73) Assignee: **LG Electronics Inc.**, Seoul (KR)

U.S. PATENT DOCUMENTS

(\*\*) Term: **14 Years**

D470,126 S *	2/2003	Ljungberg et al.	.....	D14/214
D578,109 S *	10/2008	Han	.....	D14/215
D676,025 S *	2/2013	Davies et al.	.....	D14/215
D676,831 S *	2/2013	Onoue	.....	D14/215
D678,246 S *	3/2013	Davies et al.	.....	D14/215

(21) Appl. No.: **29/455,785**

\* cited by examiner

(22) Filed: **May 24, 2013**

*Primary Examiner* — Keli L Hill

(30) **Foreign Application Priority Data**

(74) *Attorney, Agent, or Firm* — Morgan, Lewis & Bockius LLP

Dec. 6, 2012 (KR) ..... 30-2012-0058784

(51) **LOC (10) Cl.** ..... **14-03**

(52) **U.S. Cl.**  
USPC ..... **D14/215**

(57) **CLAIM**

The ornamental design for a speaker for home theater, as shown and described.

(58) **Field of Classification Search**

**DESCRIPTION**

CPC ..... H04M 1/03; H04M 1/035; H04R 1/02;  
H04R 1/06; H04R 1/021; H04R 1/025;  
H04R 1/026; H04R 1/105; H04R 1/323;  
H04R 1/345; H04R 1/403; H04R 1/2803;  
H04R 1/2834; H04R 5/02; H04R 7/20;  
H04R 9/06; H04R 9/025; H04R 2201/021;  
H04R 2400/07; H04R 2499/11; H04R  
2499/13; H04R 2499/15; G06F 1/1688  
USPC ..... D14/167, 168, 170–172, 188, 194–196,  
D14/204, 207, 209.1, 210–216, 221, 222,  
D14/224; 181/143, 144, 147, 148, 150, 153,  
181/157, 198, 199; 381/300–303, 306, 332,

FIG. 1 is a front, right side, perspective view of a speaker for home theater showing our new design;  
FIG. 2 is a front view thereof;  
FIG. 3 is a rear view thereof;  
FIG. 4 is a left side view thereof;  
FIG. 5 is a right side view thereof;  
FIG. 6 is a top view thereof; and,  
FIG. 7 is a bottom view thereof.

The broken lines shown in the drawings represent unclaimed portions of the speaker for home theater and form no part of the claimed design.

**1 Claim, 4 Drawing Sheets**

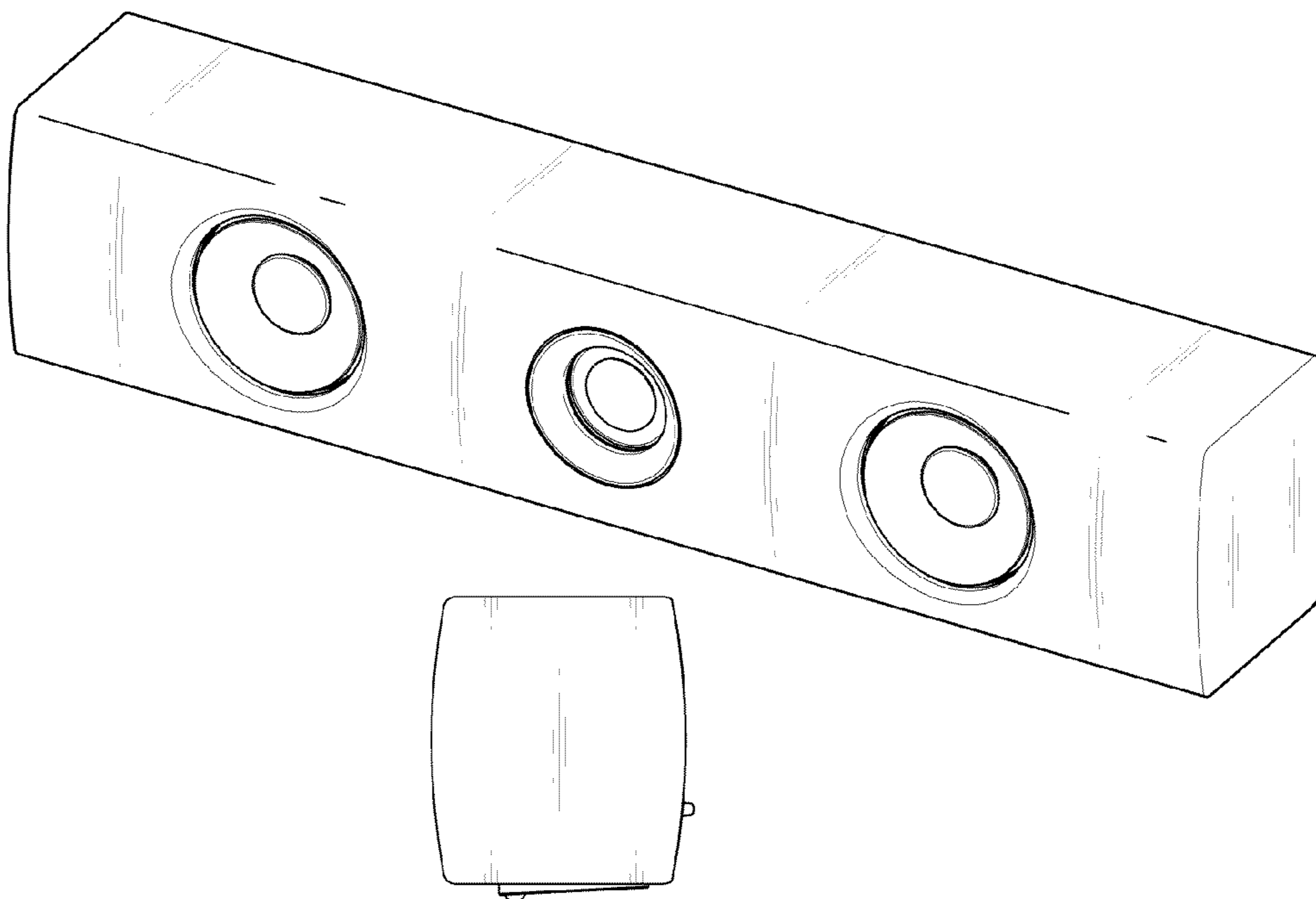


FIG. 1

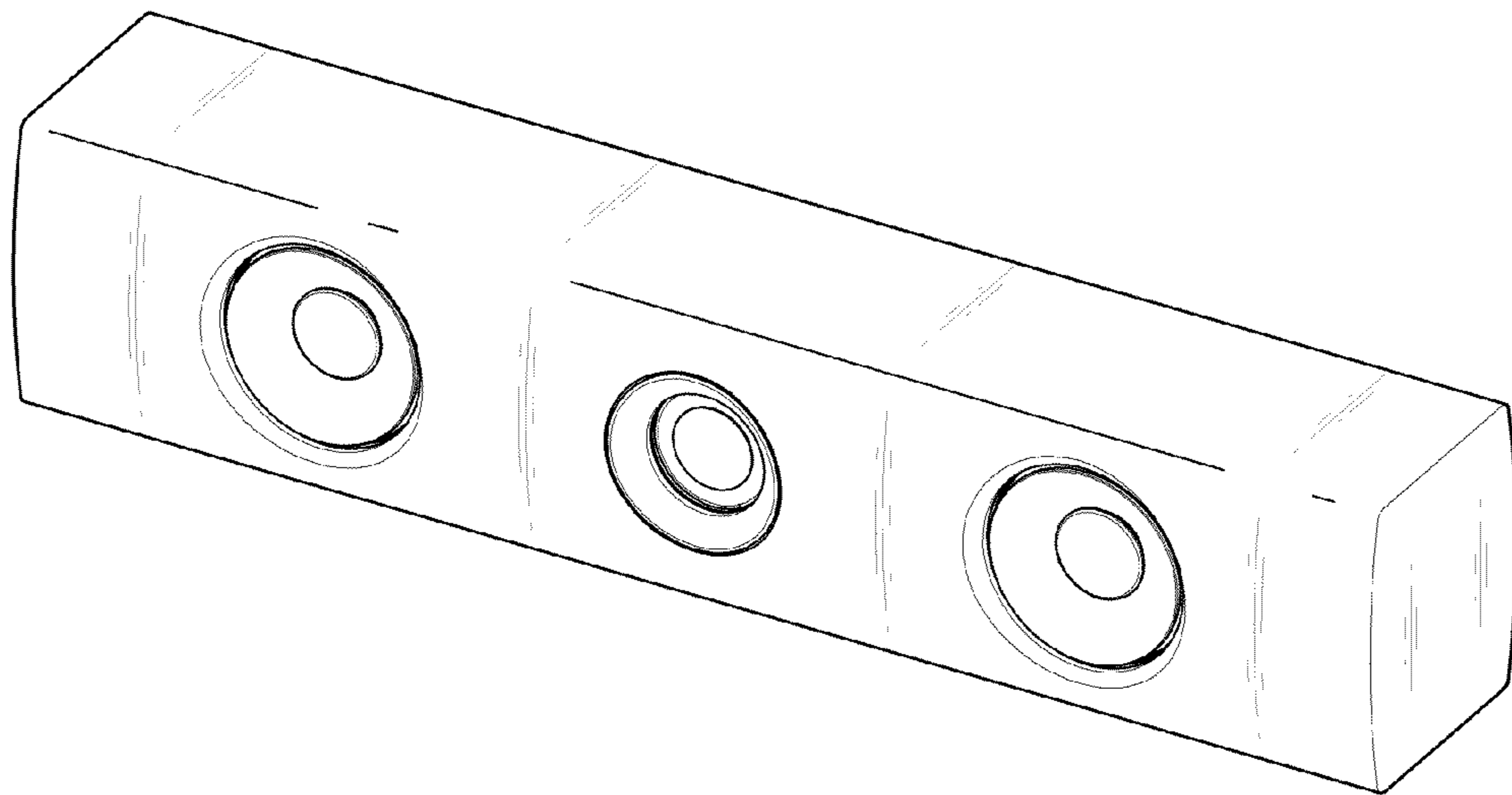


FIG. 2

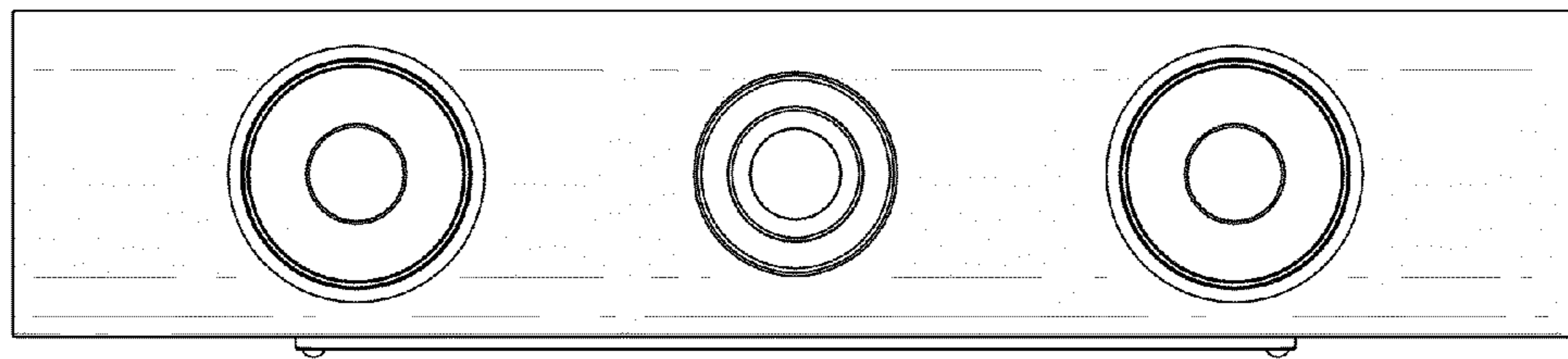


FIG. 3

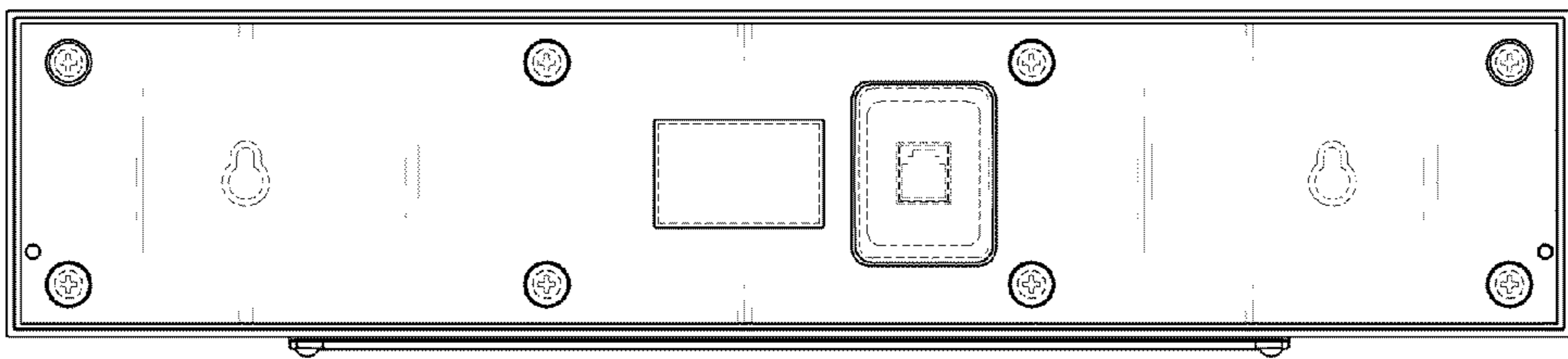


FIG. 4

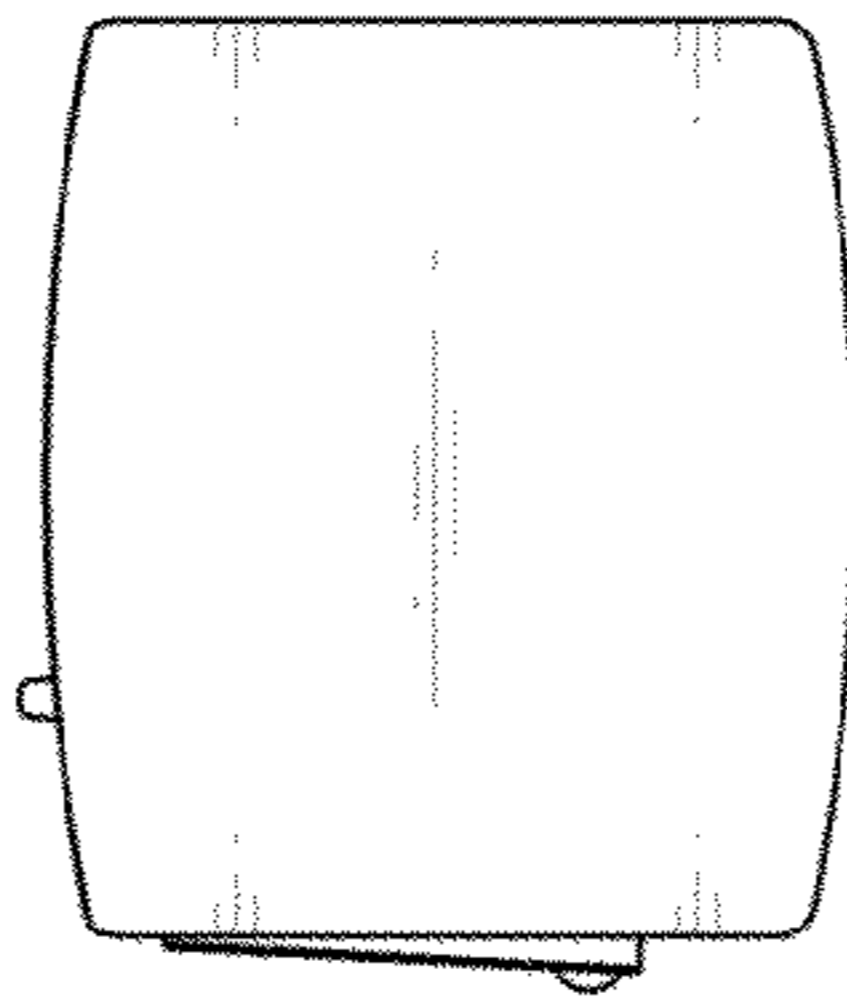


FIG. 5

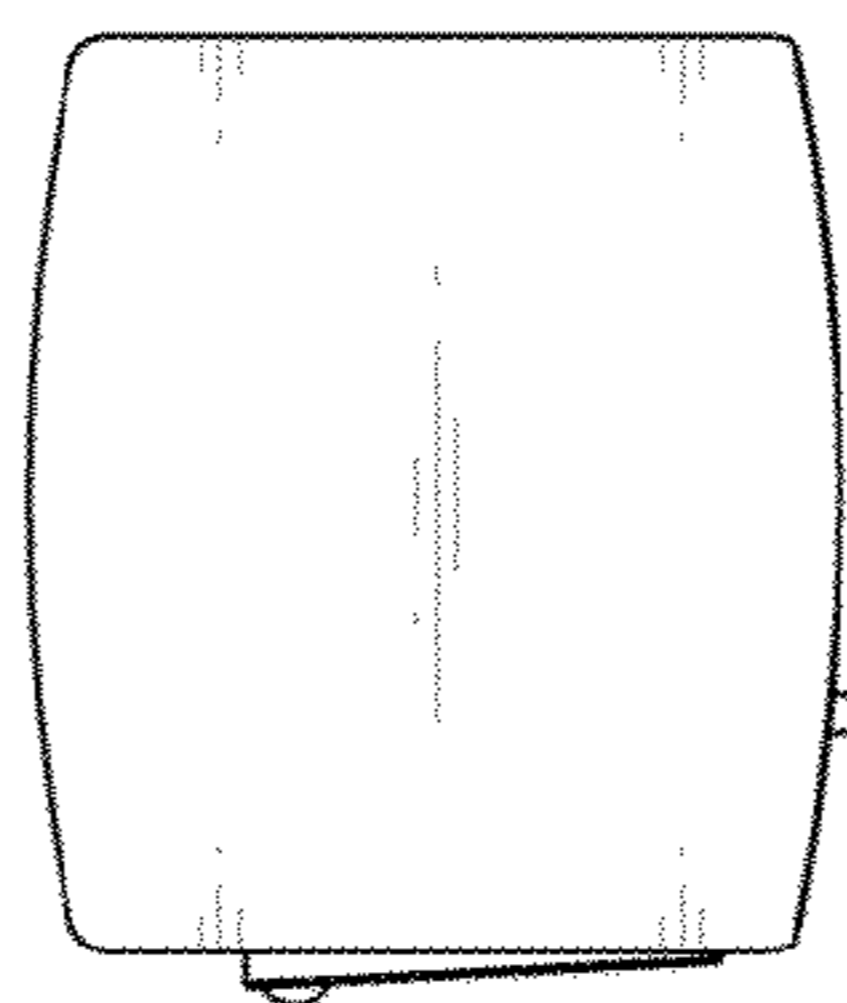


FIG. 6

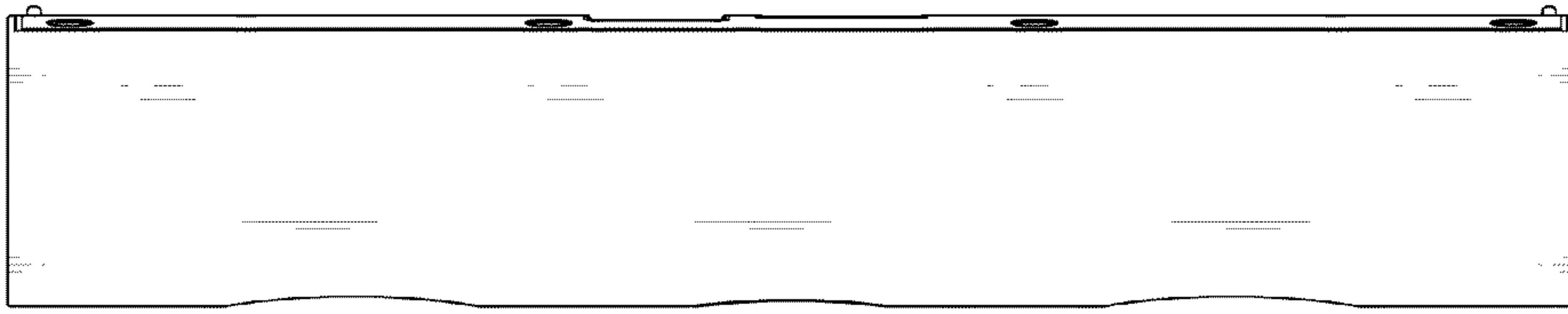


FIG. 7

