



US00D716264S

(12) **United States Design Patent**
Park et al.

(10) **Patent No.:** **US D716,264 S**

(45) **Date of Patent:** **** Oct. 28, 2014**

(54) **HOME THEATER WOOFER SPEAKER**

(71) Applicant: **LG Electronics Inc.**, Seoul (KR)

(72) Inventors: **Sooyoung Park**, Seoul (KR); **Yongsoo Kim**, Seoul (KR)

(73) Assignee: **LG Electronics Inc.**, Seoul (KR)

(**) Term: **14 Years**

(21) Appl. No.: **29/451,816**

(22) Filed: **Apr. 9, 2013**

(30) **Foreign Application Priority Data**

Oct. 24, 2012 (KR) 30-2012-0050518

(51) **LOC (10) Cl.** **14-03**

(52) **U.S. Cl.**
USPC **D14/215**

(58) **Field of Classification Search**

CPC H04M 1/03; H04M 1/035; H04R 1/02;
H04R 1/06; H04R 1/021; H04R 1/025;
H04R 1/026; H04R 1/105; H04R 1/323;
H04R 1/345; H04R 1/403; H04R 1/2803;
H04R 1/2834; H04R 5/02; H04R 7/20;
H04R 9/06; H04R 9/025; H04R 2201/021;
H04R 2400/07; H04R 2499/11; H04R
2499/13; H04R 2499/15; G06F 1/1688
USPC D14/167, 168, 170-172, 188, 194-196,
D14/204, 207, 209.1, 210-216, 221, 222,
D14/224; 181/143, 144, 147, 148, 150, 153,
181/157, 198, 199; 381/300-303, 306, 332,
381/333, 336, 345, 361-364, 386-388;
369/6-12

See application file for complete search history.

(56) **References Cited**

U.S. PATENT DOCUMENTS

D230,194 S *	1/1974	Buckler	D14/197
D531,617 S *	11/2006	Rozier	D14/215
D624,048 S *	9/2010	Kim	D14/215
D645,453 S *	9/2011	Kim et al.	D14/215
D664,122 S *	7/2012	Cho et al.	D14/215
D671,527 S *	11/2012	Lee et al.	D14/215
D680,097 S *	4/2013	Davies et al.	D14/215
D683,719 S *	6/2013	Onoue	D14/215

* cited by examiner

Primary Examiner — Keli L Hill

(74) *Attorney, Agent, or Firm* — Morgan, Lewis & Bockius LLP

(57) **CLAIM**

The ornamental design for a home theater woofer speaker, as shown and described.

DESCRIPTION

FIG. 1 is a front, right side, perspective view of a home theater woofer speaker showing our new design;
FIG. 2 is a front view thereof;
FIG. 3 is a rear view thereof;
FIG. 4 is a left side view thereof;
FIG. 5 is a right side view thereof;
FIG. 6 is a top view thereof;
FIG. 7 is a bottom view thereof; and,
FIG. 8 is a rear, right side perspective view thereof.
The broken lines shown in the drawings represent unclaimed portions of the home theater woofer speaker and form no part of the claimed design.

1 Claim, 5 Drawing Sheets

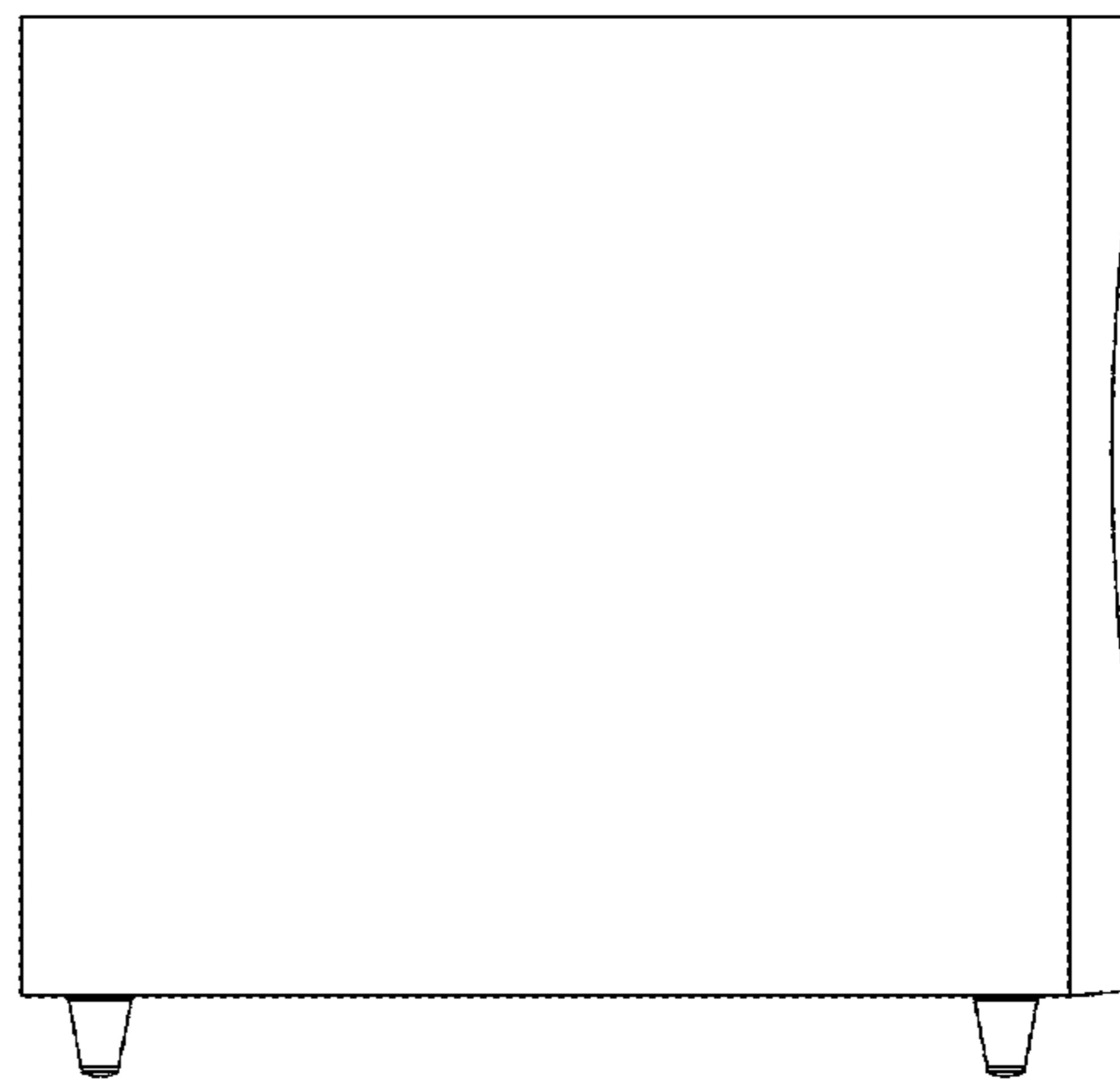
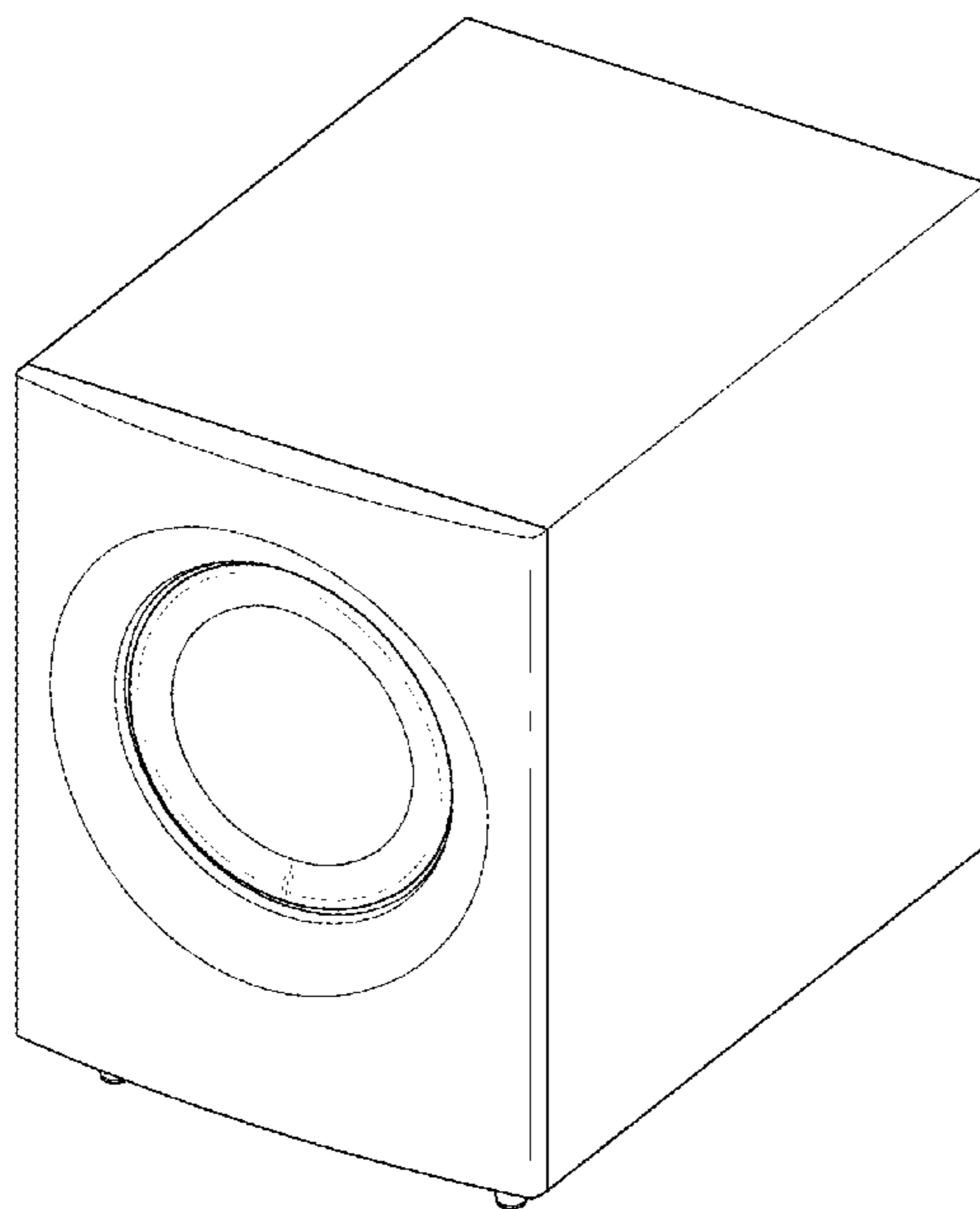


FIG. 1

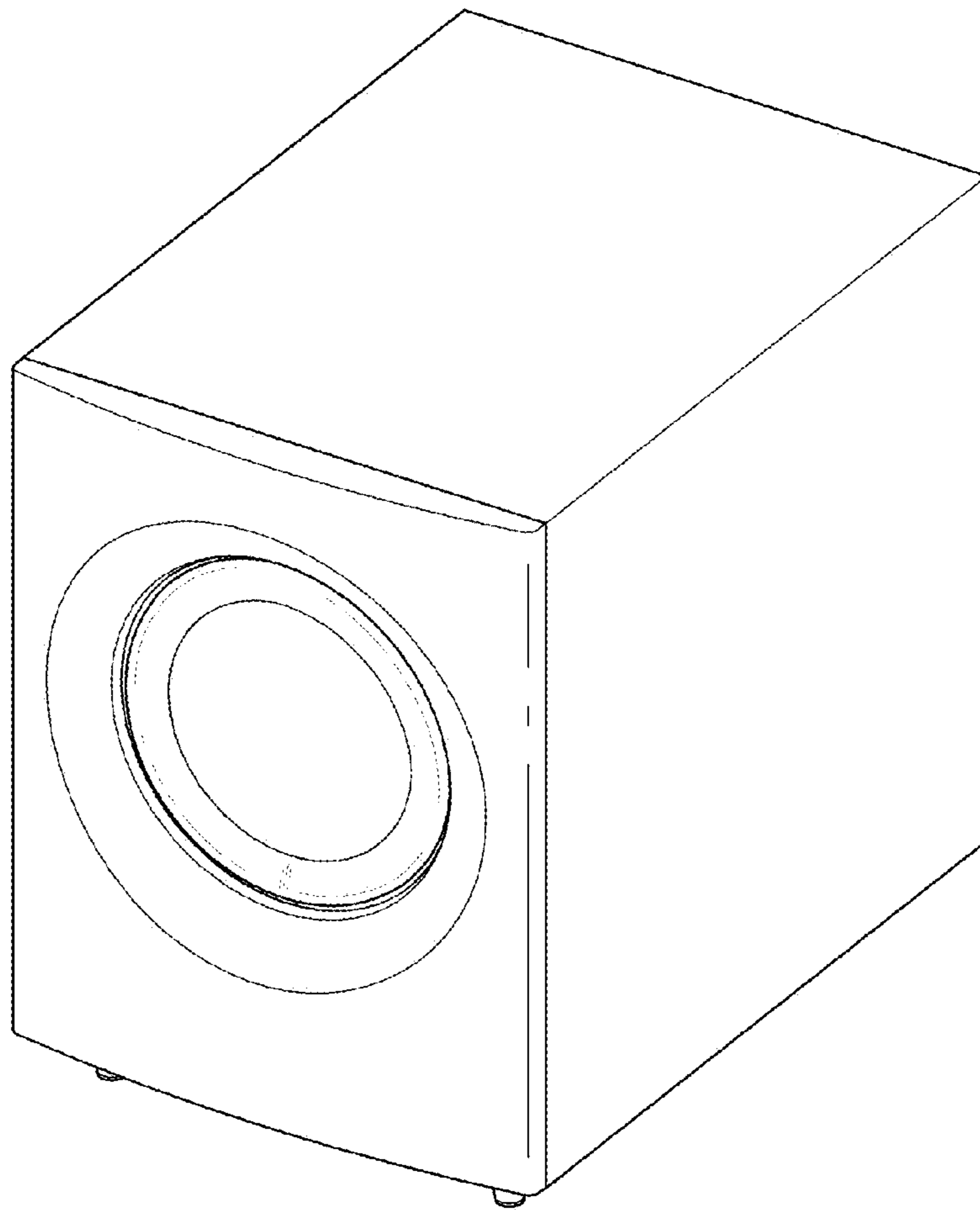


FIG. 2

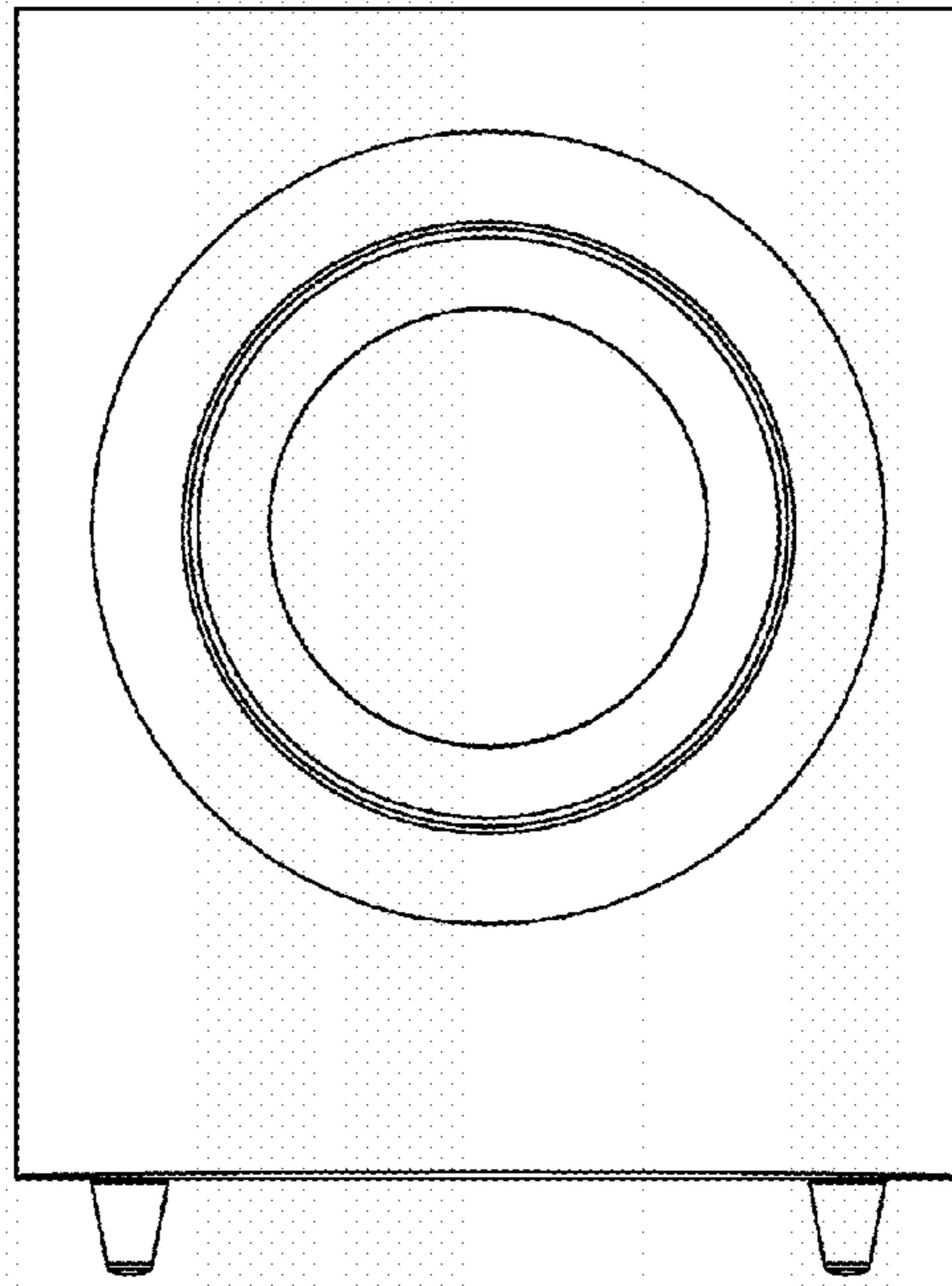


FIG. 3

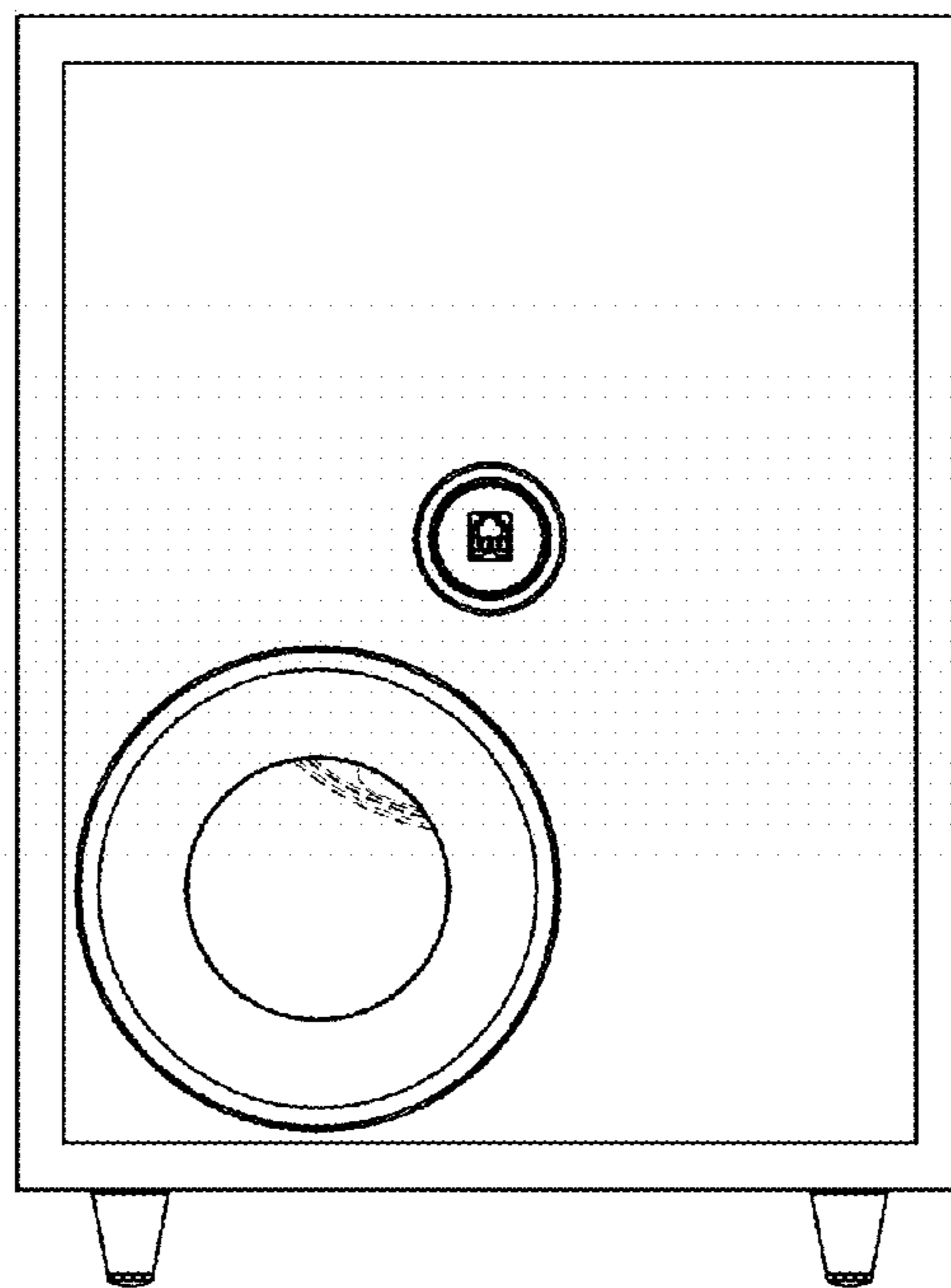


FIG. 4

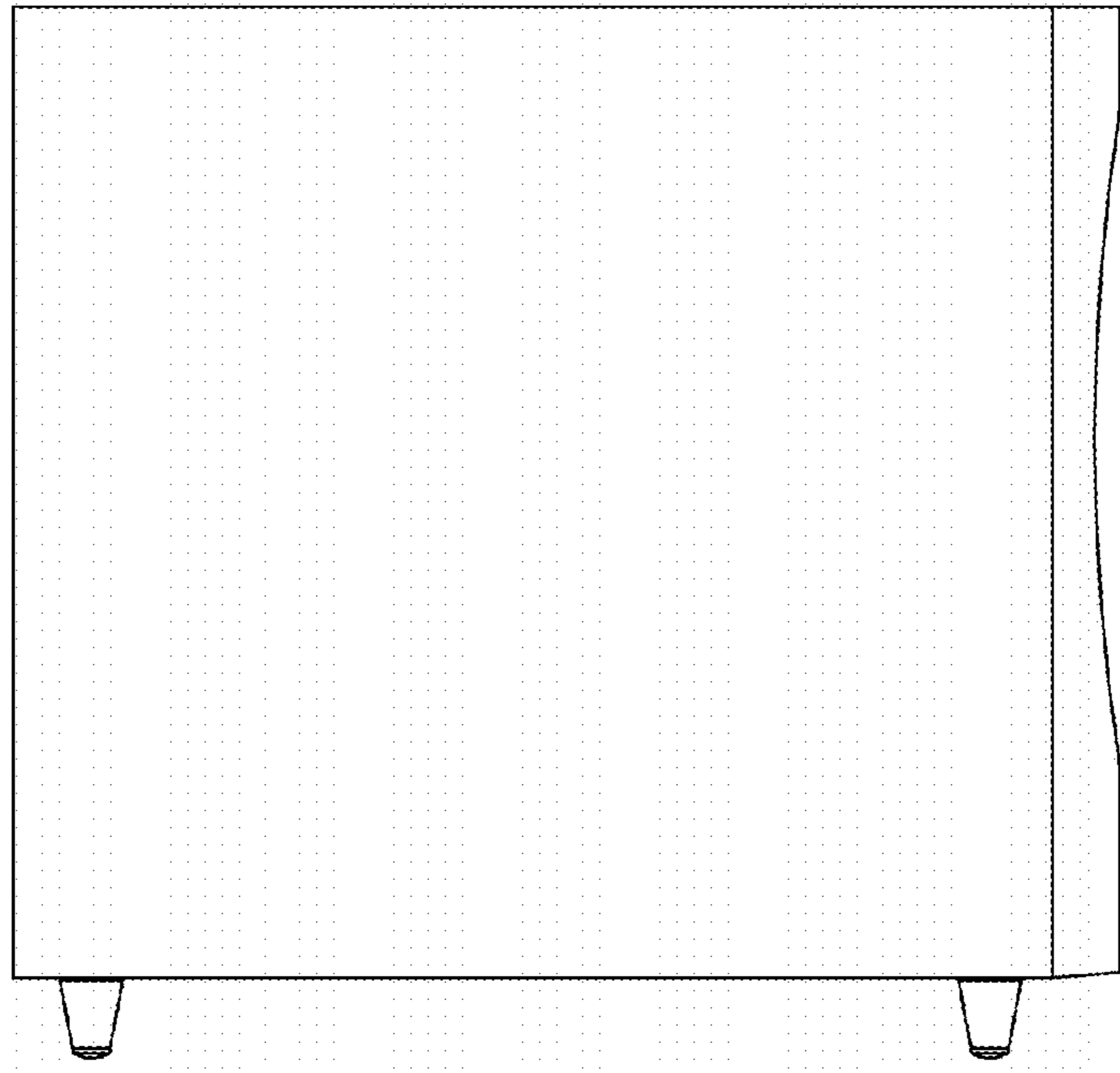


FIG. 5

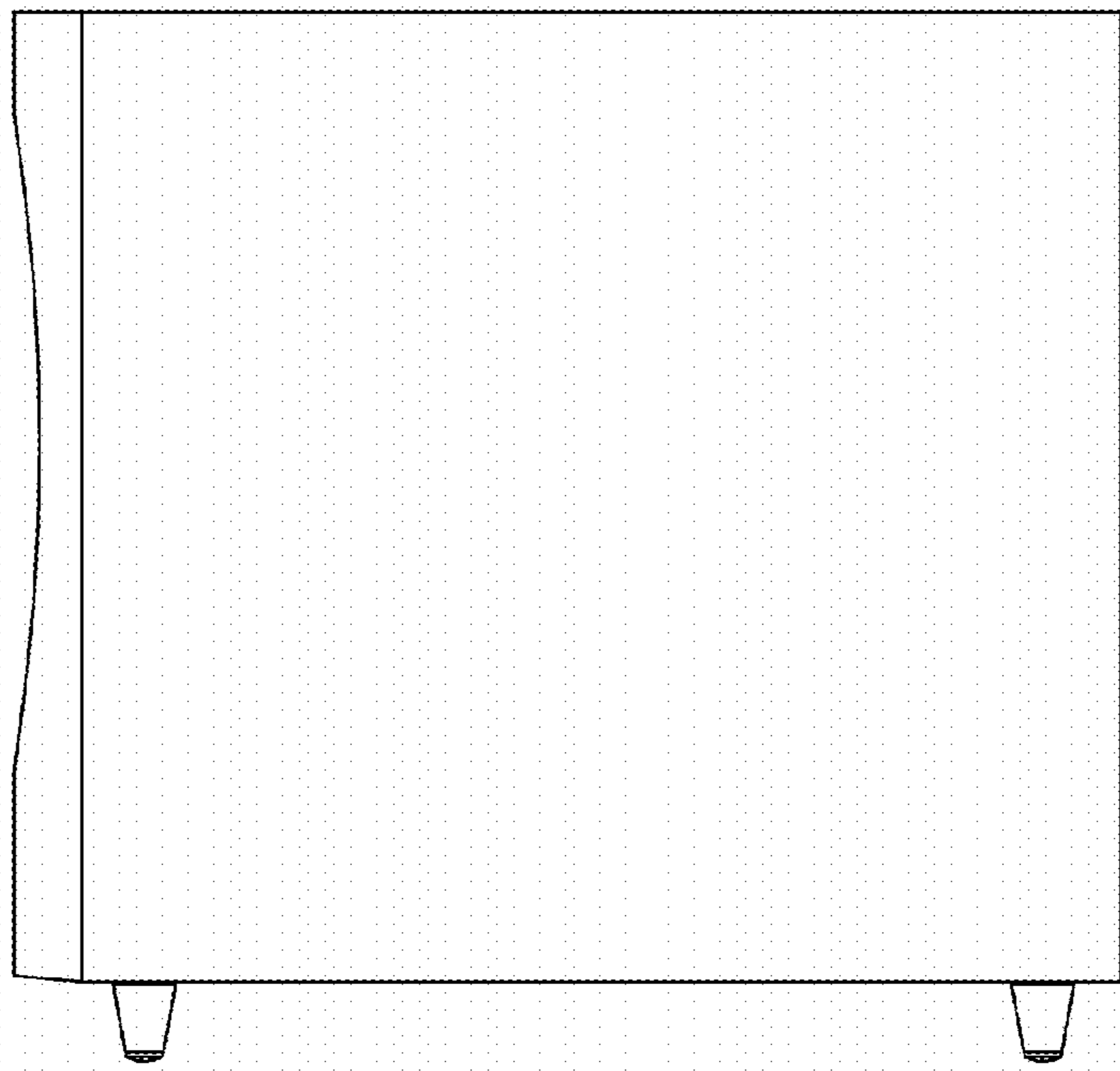


FIG. 6

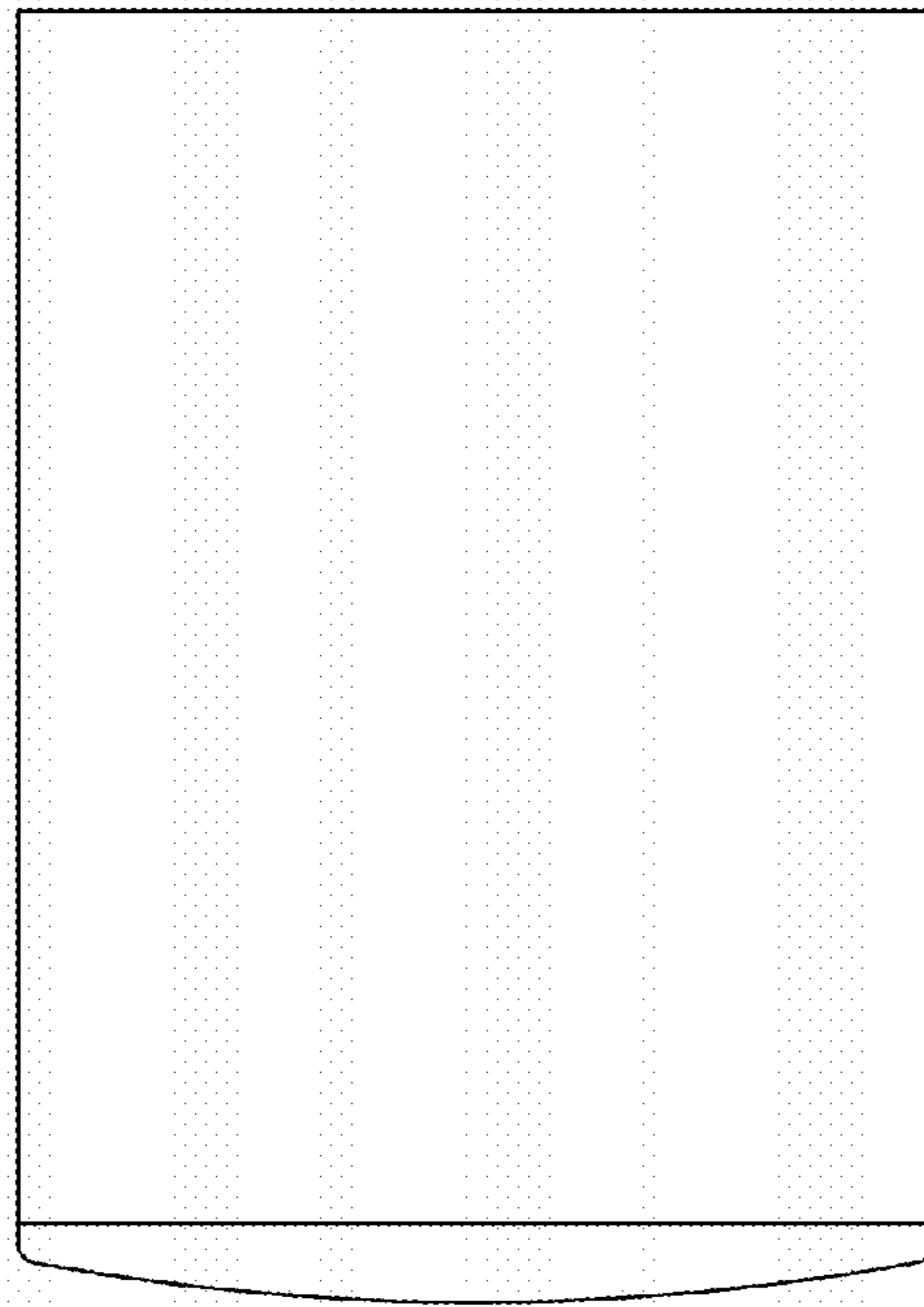


FIG. 7

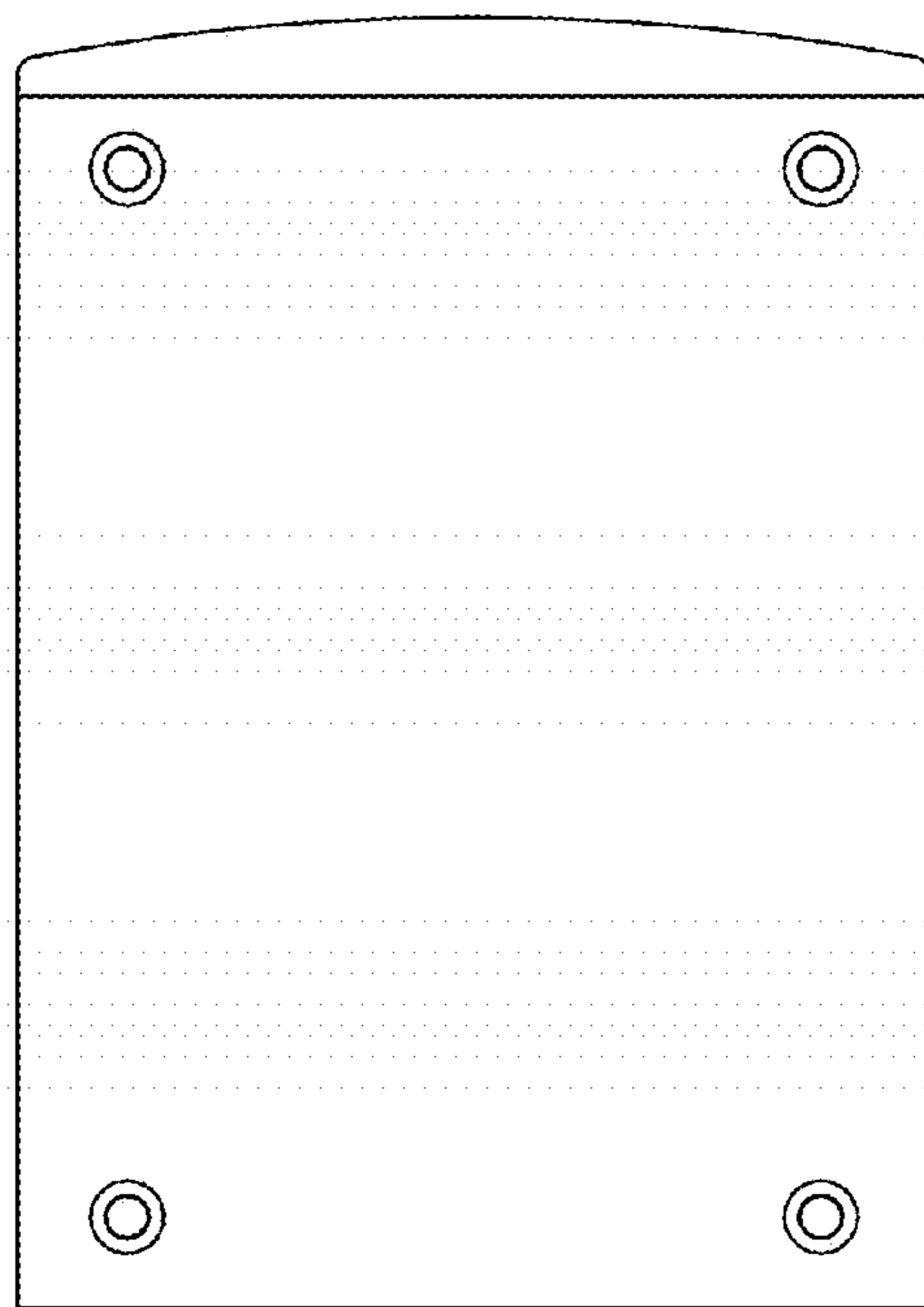


FIG. 8

