



US00D716263S

(12) **United States Design Patent**
Lewis

(10) **Patent No.:** **US D716,263 S**
(45) **Date of Patent:** **** Oct. 28, 2014**

(54) **LOUDSPEAKER**

(75) Inventors: **David Lewis**, Copenhagen N (DK);
Torsten Valeur, legal representative,
Copenhagen V (DK)

(73) Assignee: **Bang & Olufsen A/S**, Struer (DK)

(**) Term: **14 Years**

(21) Appl. No.: **29/417,780**

(22) Filed: **Apr. 9, 2012**

(30) **Foreign Application Priority Data**

Oct. 11, 2011 (EP) 001929985-0001

(51) **LOC (10) Cl.** **14-01**

(52) **U.S. Cl.**
USPC **D14/215**

(58) **Field of Classification Search**

USPC D6/685, 686, 688.21, 688.26, 691,
D6/708.16; D7/367, 698; D9/432; D10/92;
D13/133, 137.1-137.4, 139.1-139.8;
D14/138 G, 159, 172, 188, 194, 204,
D14/209, 209.1, 210-215, 217, 354, 371,
D14/374, 375, 446, 496, 499, 502; D26/26,
D26/72, 113-120; D30/106; 177/25.13,
177/25.16, 126, 127; 181/143, 144, 147,
181/148, 150-153, 157, 198, 199;
381/300-303, 306, 332, 333, 336, 345,
381/361-364, 386-388

See application file for complete search history.

(56) **References Cited**

U.S. PATENT DOCUMENTS

D442,164 S *	5/2001	Dunk et al.	D14/214
D449,829 S *	10/2001	Gustavsson et al.	D14/214
D491,552 S *	6/2004	Niitsu	D14/211
D535,942 S *	1/2007	Kim	D13/108
D633,075 S *	2/2011	Kim et al.	D14/168
D659,121 S *	5/2012	Chen	D14/215
D670,268 S *	11/2012	Allen	D14/211
2013/0306399 A1 *	11/2013	Swan et al.	181/199

* cited by examiner

Primary Examiner — Prabhakar Deshmukh

Assistant Examiner — Janice Lim

(74) *Attorney, Agent, or Firm* — Dykema Gossett PLLC

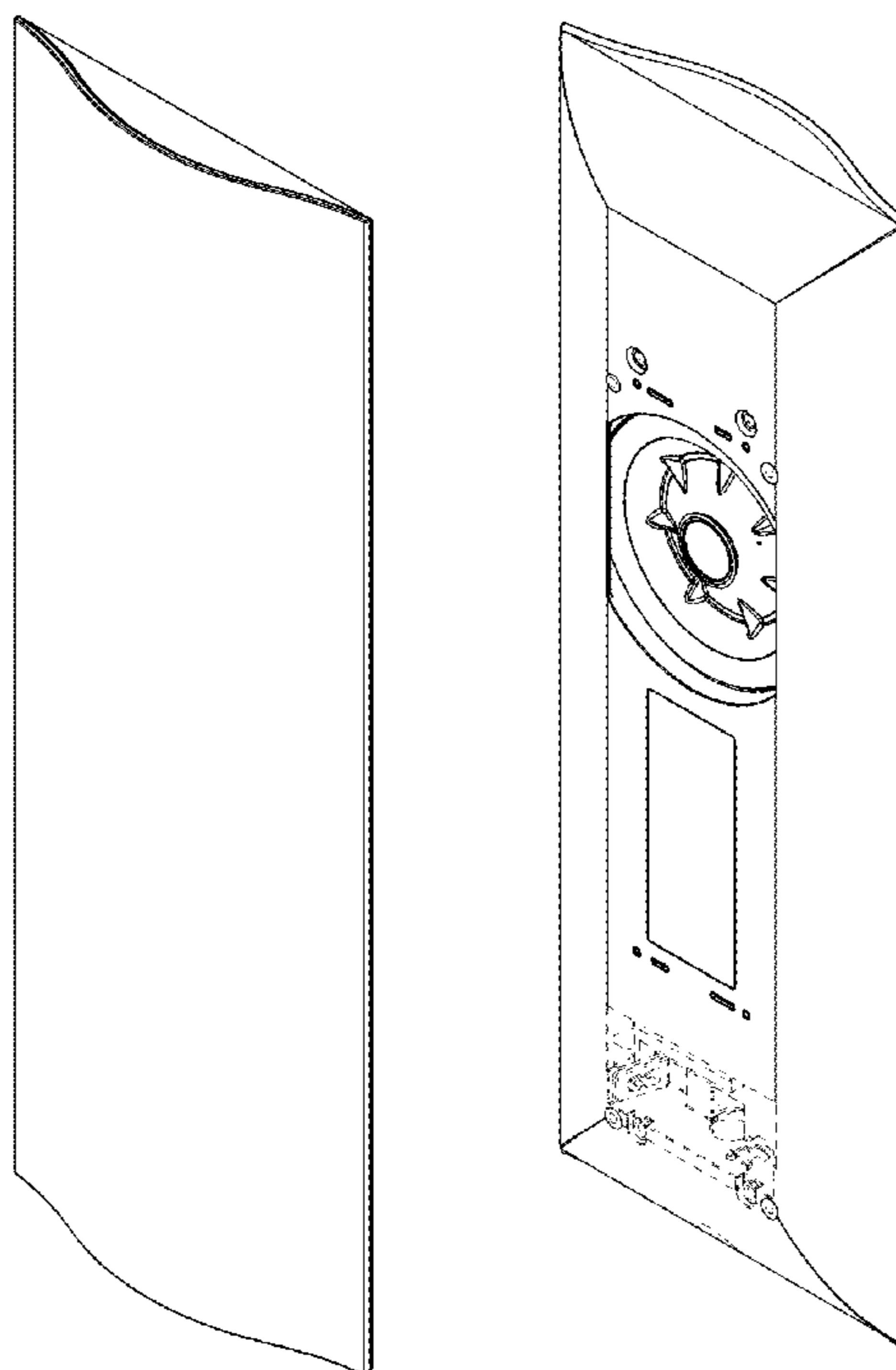
(57) **CLAIM**

The ornamental design for a loudspeaker, as shown and described.

DESCRIPTION

FIG. 1 is a front perspective view of a loudspeaker, showing our new design;
FIG. 2 is a rear elevational view thereof;
FIG. 3 is a front elevational view thereof;
FIG. 4 is a left side elevational view thereof wherein the right side is a mirror image thereof;
FIG. 5 is a top plan view thereof;
FIG. 6 is a bottom plan view thereof; and,
FIG. 7 is a rear perspective view thereof.
The broken lines in FIGS. 2, 6, and 7 shown in the drawings illustrate unclaimed subject matter only and form no part of the claimed design.

1 Claim, 6 Drawing Sheets



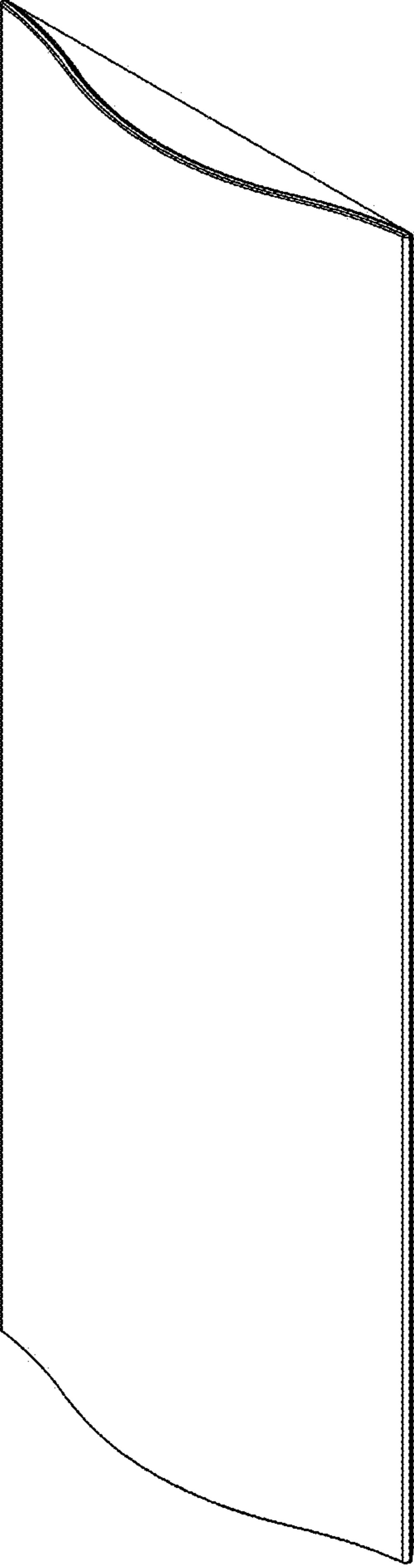


FIG. 1

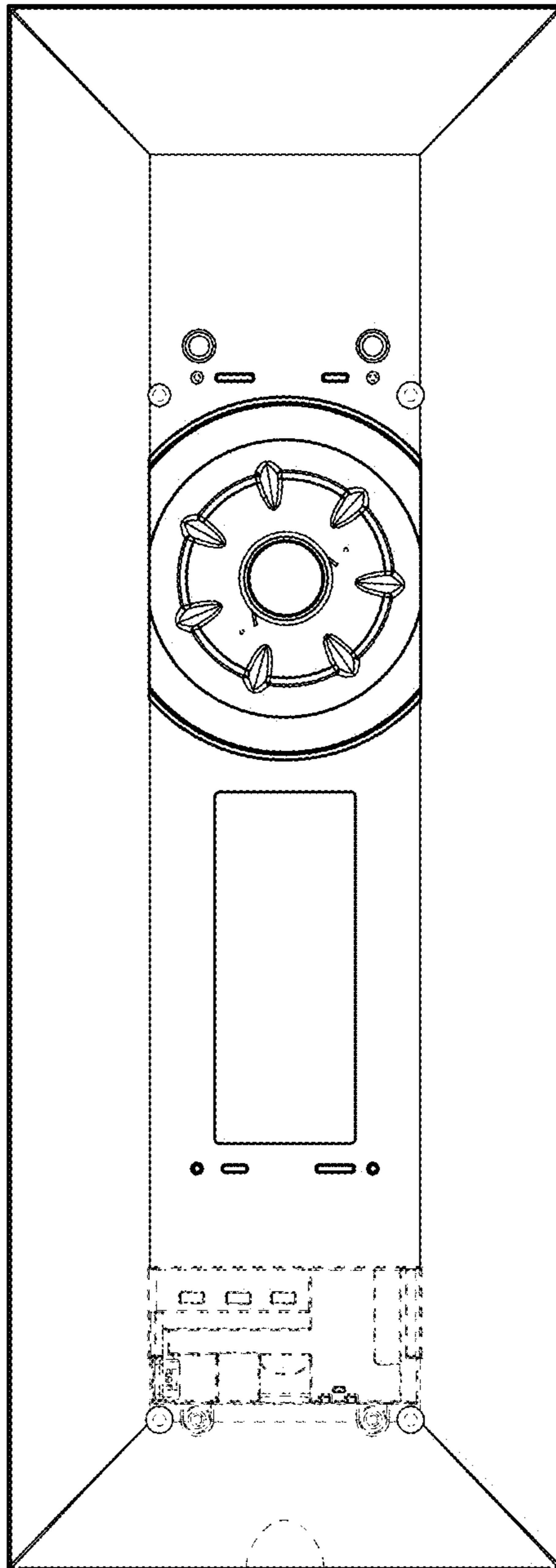


FIG. 2

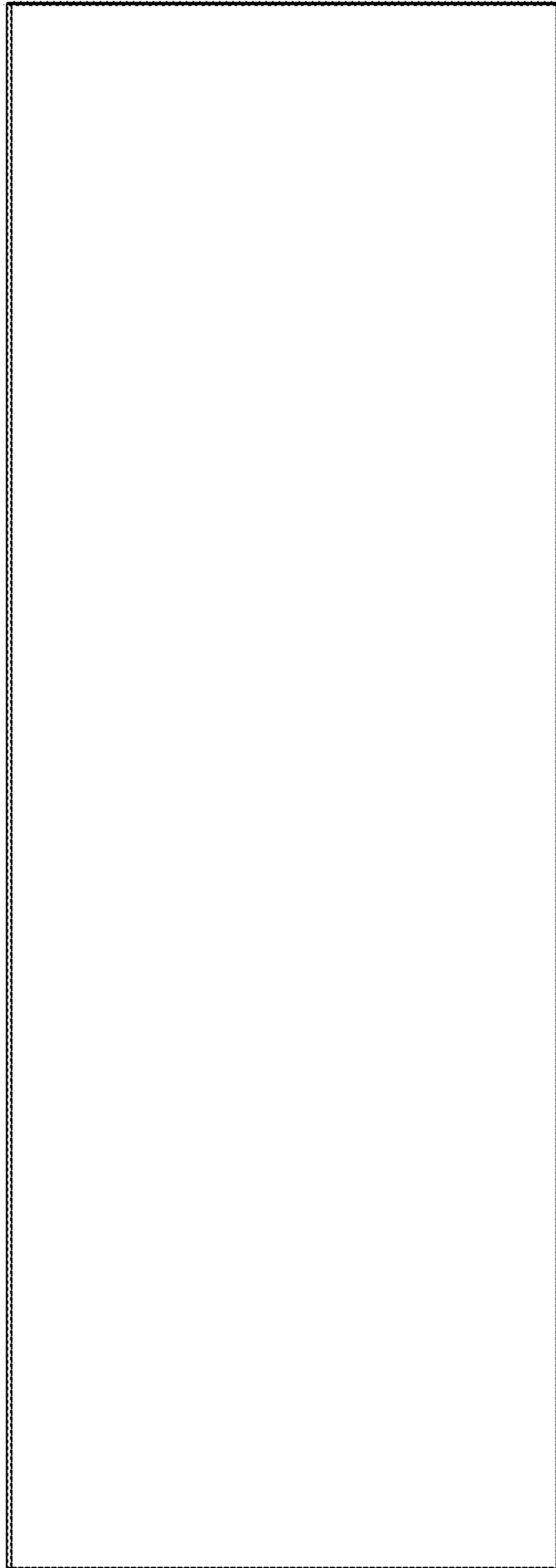


FIG. 3

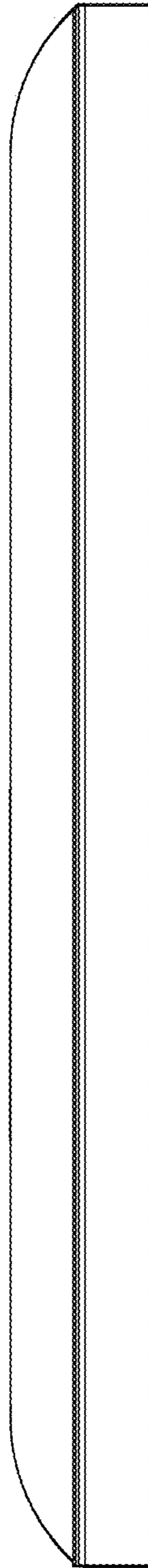


FIG. 4

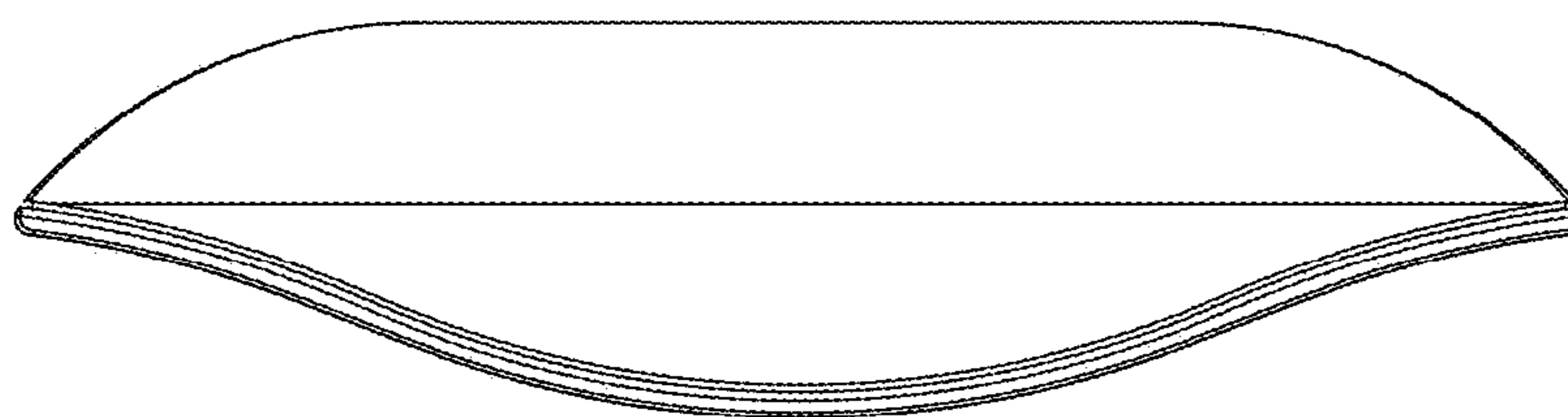


FIG. 5

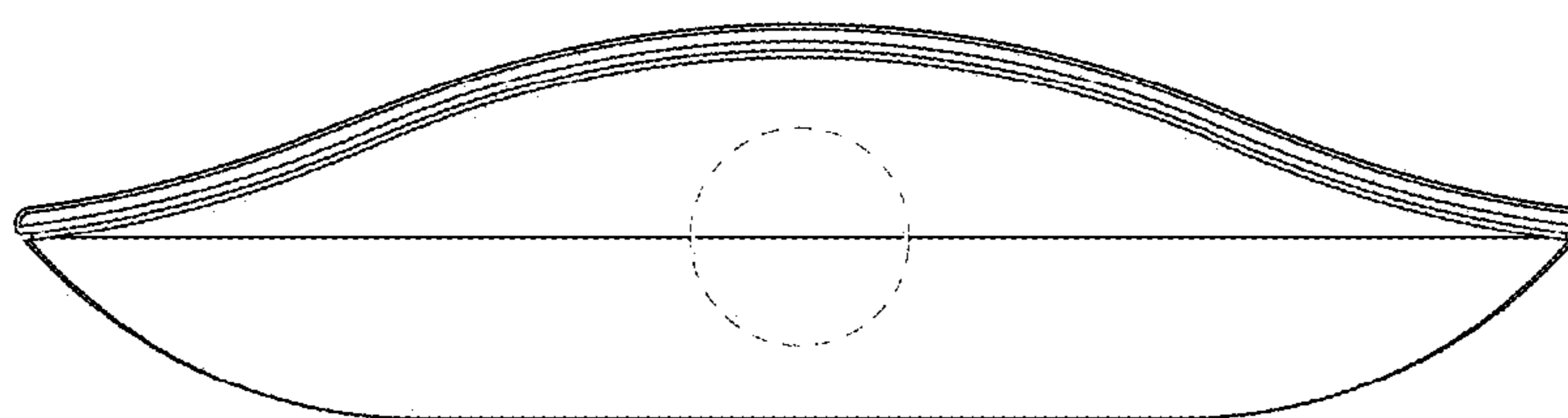


FIG. 6

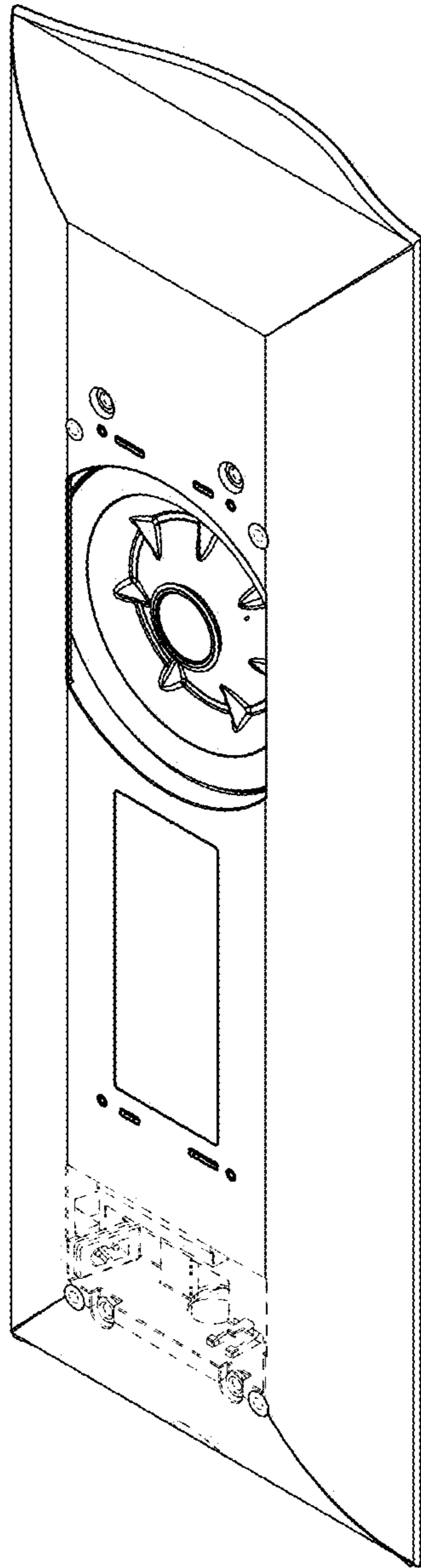


FIG. 7

UNITED STATES PATENT AND TRADEMARK OFFICE
CERTIFICATE OF CORRECTION

PATENT NO. : D716,263 S
APPLICATION NO. : 29/417780
DATED : October 28, 2014
INVENTOR(S) : Lewis

Page 1 of 1

It is certified that error appears in the above-identified patent and that said Letters Patent is hereby corrected as shown below:

On the Title Page, Item (30) Foreign Application Priority Data

delete "Oct. 11, 2011 (EP).....001929985-0001"

and insert --Oct. 11, 2011 (EM).....001929985-0001--

Signed and Sealed this
Seventeenth Day of February, 2015



Michelle K. Lee
Deputy Director of the United States Patent and Trademark Office