



US00D716260S

(12) **United States Design Patent**
Park et al.

(10) **Patent No.:** **US D716,260 S**

(45) **Date of Patent:** **** Oct. 28, 2014**

(54) **SPEAKER FOR HOME THEATER**

(71) Applicant: **LG Electronics Inc.**, Seoul (KR)

(72) Inventors: **Sooyoung Park**, Seoul (KR); **Yongsoo Kim**, Seoul (KR)

(73) Assignee: **LG Electronics Inc.**, Seoul (KR)

(**) Term: **14 Years**

(21) Appl. No.: **29/455,784**

(22) Filed: **May 24, 2013**

(30) **Foreign Application Priority Data**

Dec. 6, 2012 (KR) 30-2012-0058759

(51) **LOC (10) Cl.** **14-03**

(52) **U.S. Cl.**
USPC **D14/210; D14/215**

(58) **Field of Classification Search**

CPC H04M 1/03; H04M 1/035; H04R 1/02;
H04R 1/06; H04R 1/021; H04R 1/025;
H04R 1/026; H04R 1/105; H04R 1/323;
H04R 1/345; H04R 1/403; H04R 1/2803;
H04R 1/2834; H04R 5/02; H04R 7/20;
H04R 9/06; H04R 9/025; H04R 2201/021;
H04R 2440/07; H04R 2499/11; H04R
2499/13; H04R 2499/15; G06F 1/1688
USPC D14/167, 168, 170-172, 188, 194-196,
D14/204, 207, 209.1, 210-216, 221, 222,
D14/224; 181/143, 144, 147, 148, 150, 153,
181/157, 198, 199; 381/300-303, 306, 332,
381/333, 336, 345, 361-364, 386-388;
369/6-12

See application file for complete search history.

(56) **References Cited**

U.S. PATENT DOCUMENTS

D516,543	S	*	3/2006	Kubota	D14/214
D523,418	S	*	6/2006	Kubota	D14/214
D547,748	S	*	7/2007	Tsuge	D14/211
D645,449	S	*	9/2011	Kusuki	D14/214
D660,285	S	*	5/2012	Lee et al.	D14/214
D676,831	S	*	2/2013	Onoue	D14/215

* cited by examiner

Primary Examiner — Keli L Hill

(74) *Attorney, Agent, or Firm* — Morgan, Lewis & Bockius LLP

(57) **CLAIM**

The ornamental design for a speaker for home theater, as shown and described.

DESCRIPTION

FIG. 1 is a front, right side, perspective view of a speaker for home theater showing our new design;
FIG. 2 is a front view thereof;
FIG. 3 is a rear view thereof;
FIG. 4 is a left side view thereof;
FIG. 5 is a right side view thereof;
FIG. 6 is a top view thereof;
FIG. 7 is a bottom view thereof; and,
FIG. 8 is an alternate front perspective view thereof, shown with the front cover removed.

The broken lines shown in the drawings represent unclaimed portions of the speaker for home theater and form no part of the claimed design.

1 Claim, 7 Drawing Sheets

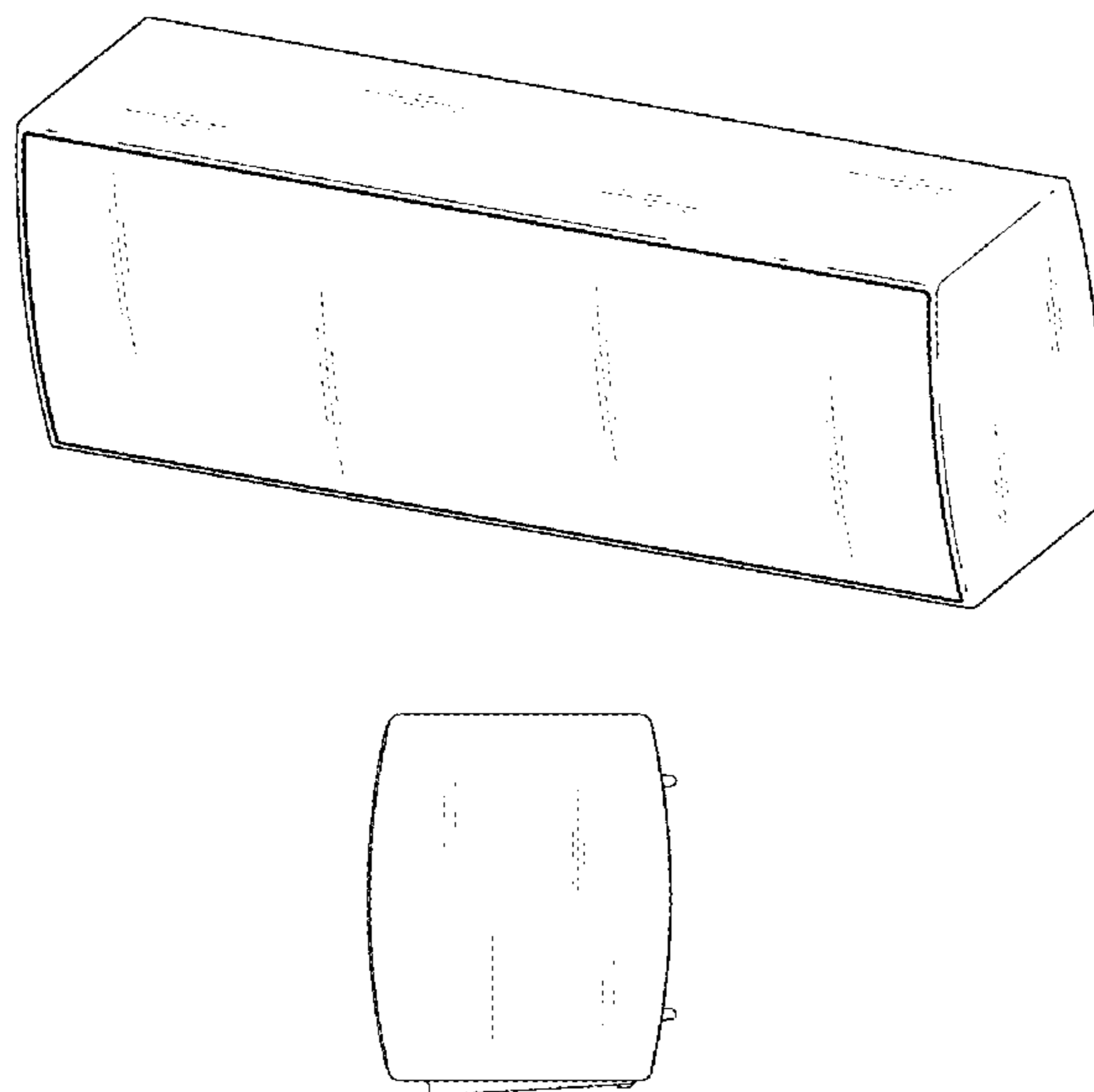


FIG. 1

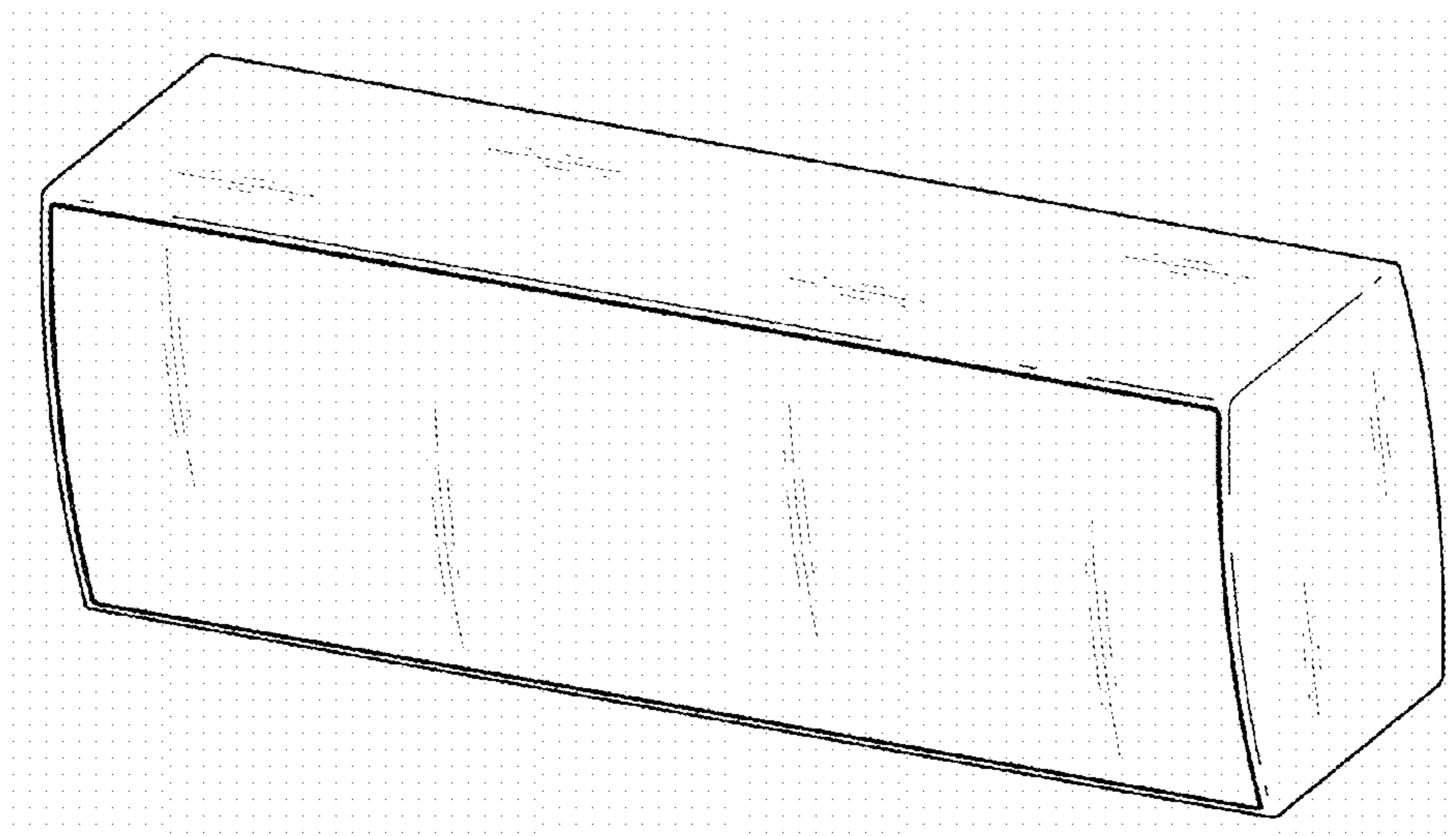


FIG. 2

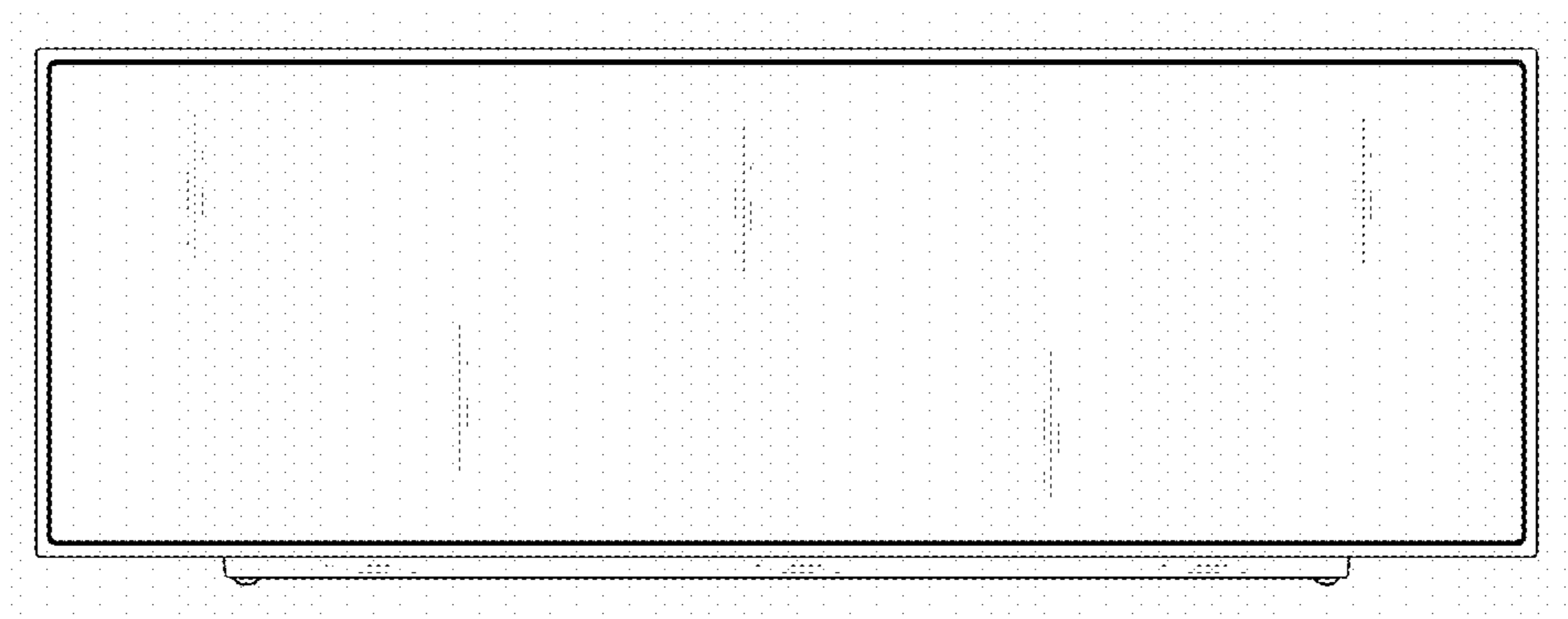


FIG. 3

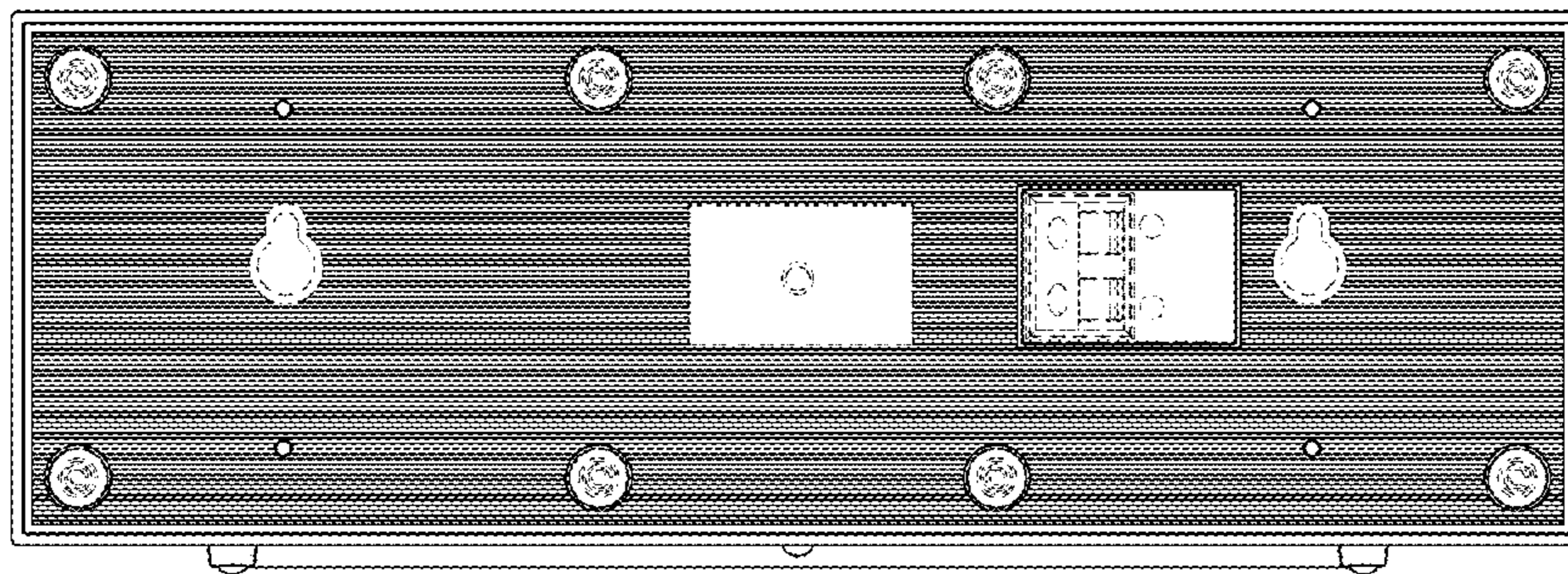


FIG. 4

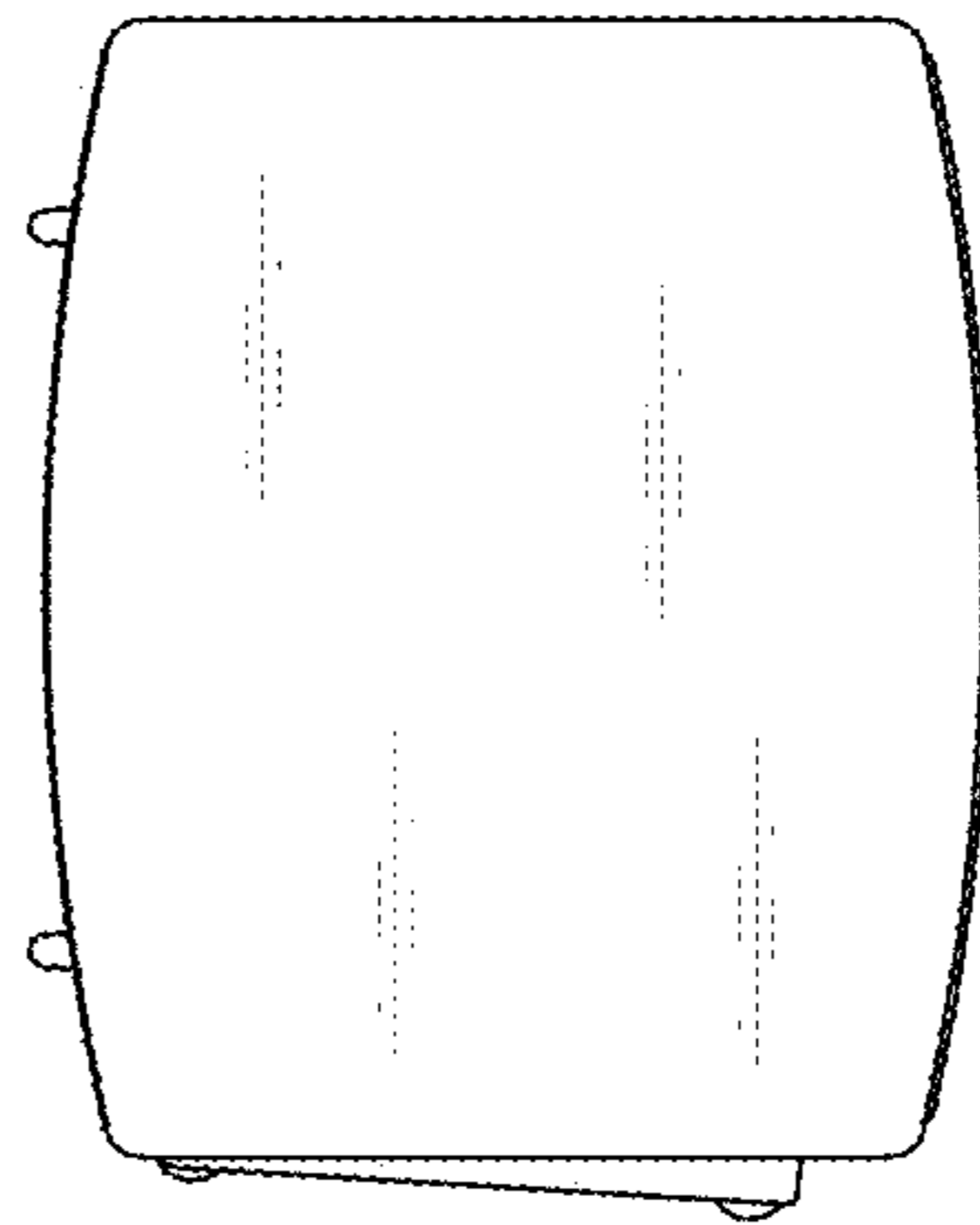


FIG. 5

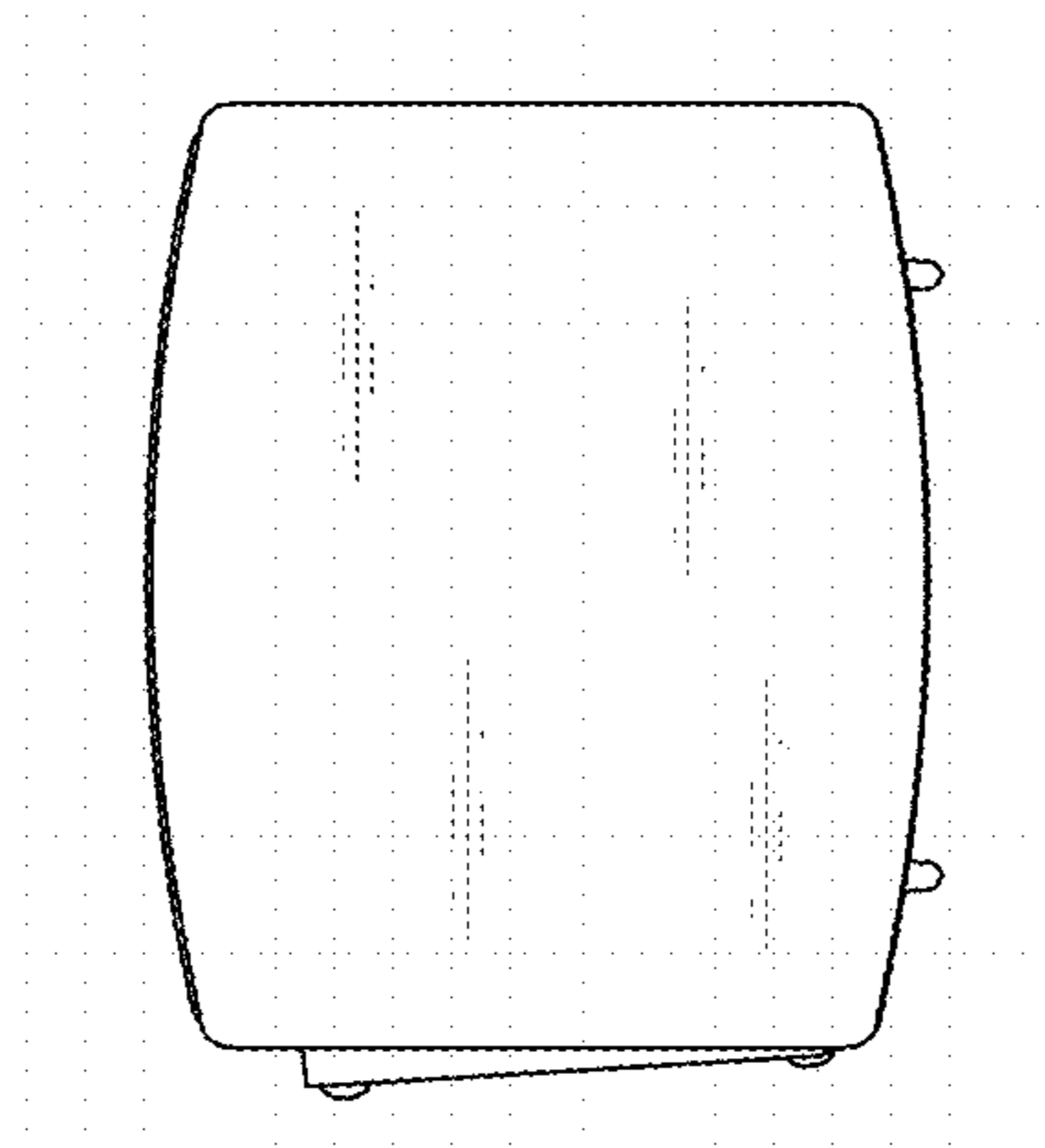


FIG. 6

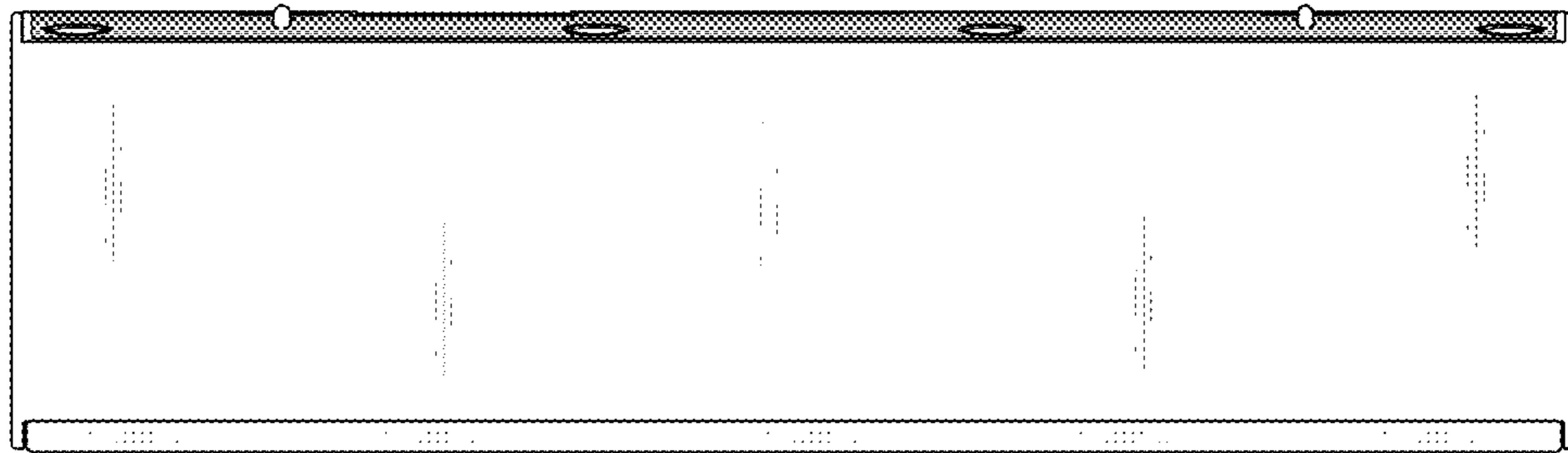


FIG. 7

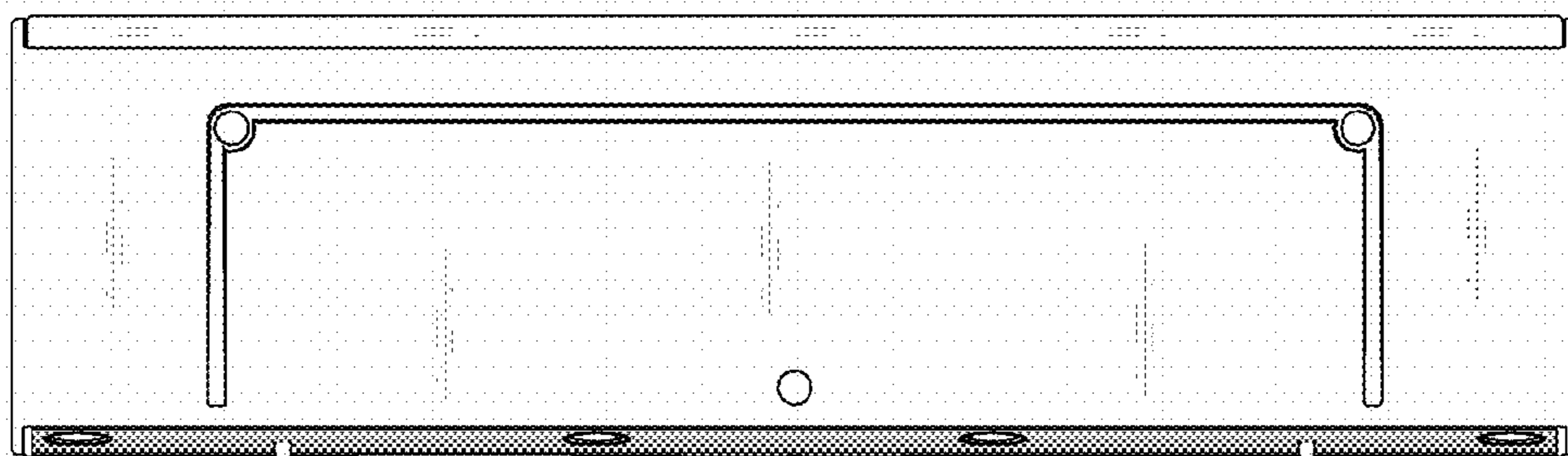


FIG. 8

