



US00D716256S

(12) **United States Design Patent**
Ang

(10) **Patent No.:** **US D716,256 S**
(45) **Date of Patent:** **** Oct. 28, 2014**

(54) **HEADPHONE**

(71) Applicant: **Creative Technology Ltd**, Singapore
(SG)

(72) Inventor: **Huang Pheng Vince Ang**, Singapore
(SG)

(73) Assignee: **Creative Technology Ltd**, Singapore
(SG)

(**) Term: **14 Years**

(21) Appl. No.: **29/460,021**

(22) Filed: **Jul. 6, 2013**

(30) **Foreign Application Priority Data**

Jan. 8, 2013 (SG) D2013/24/G

(51) **LOC (10) CL.** **14-01**

(52) **U.S. Cl.**
USPC **D14/205**

(58) **Field of Classification Search**
CPC H04R 5/033
USPC D14/205; D29/112; 2/209; 181/129,
181/130, 135; 379/430, 431; 381/380, 381,
381/370, 374; 455/90.3, 575.1
See application file for complete search history.

(56) **References Cited**

U.S. PATENT DOCUMENTS

D484,485 S * 12/2003 Matsuoka D14/205
D582,890 S * 12/2008 Koza et al. D14/205

D588,098 S * 3/2009 Kurihara D14/205
D594,847 S * 6/2009 Suzuki D14/205
D625,705 S * 10/2010 Ohori et al. D14/205
D637,579 S * 5/2011 Hamaura et al. D14/205
D662,080 S * 6/2012 Carr et al. D14/205
D680,516 S * 4/2013 Lee D14/205
D684,559 S * 6/2013 Groset et al. D14/205
D685,763 S * 7/2013 Lee et al. D14/205
D686,592 S * 7/2013 Gondo D14/205
D691,579 S * 10/2013 Lee et al. D14/205
D697,895 S * 1/2014 Lee D14/205
D697,896 S * 1/2014 Lee et al. D14/205
2009/0010474 A1 * 1/2009 Ouryouji 381/370
2013/0343591 A1 * 12/2013 Brunner et al. 381/371

* cited by examiner

Primary Examiner — Paula Greene

(74) *Attorney, Agent, or Firm* — Russell Swerdon; Desmond Gean

(57) **CLAIM**

The ornamental design for a headphone, substantially as shown and described.

DESCRIPTION

FIG. 1 is a front top right side perspective view of a headphone showing our new design;
FIG. 2 is a rear top right side perspective view thereof;
FIG. 3 is a front elevational view thereof;
FIG. 4 is a rear elevational view thereof;
FIG. 5 is a right side elevational view thereof;
FIG. 6 is a left side elevational view thereof;
FIG. 7 is a top plan view thereof; and,
FIG. 8 is a bottom plan view thereof.
The broken lines form no part of the claimed design.

1 Claim, 8 Drawing Sheets

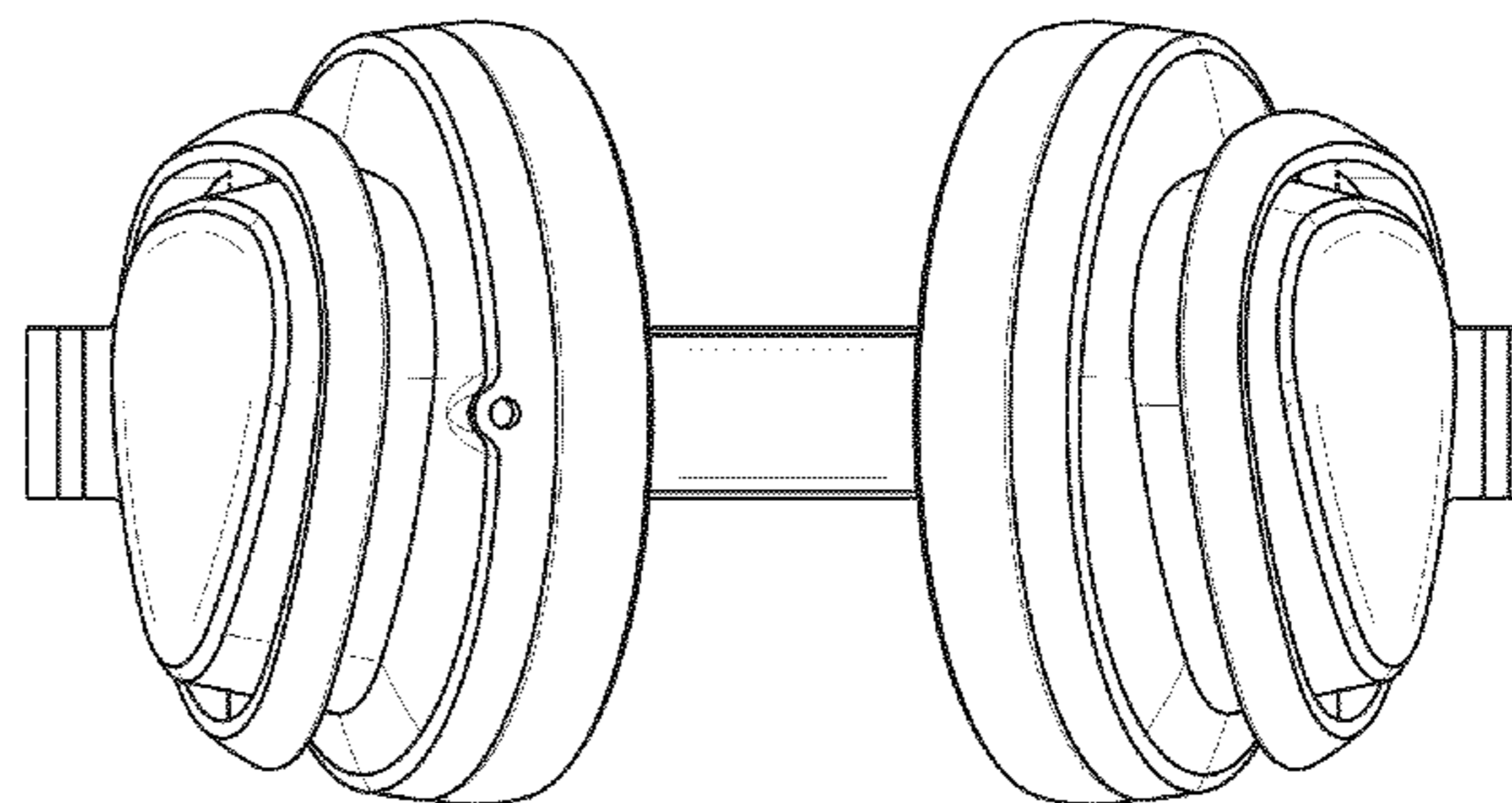




FIG. 1



FIG. 2



FIG. 3



FIG. 4

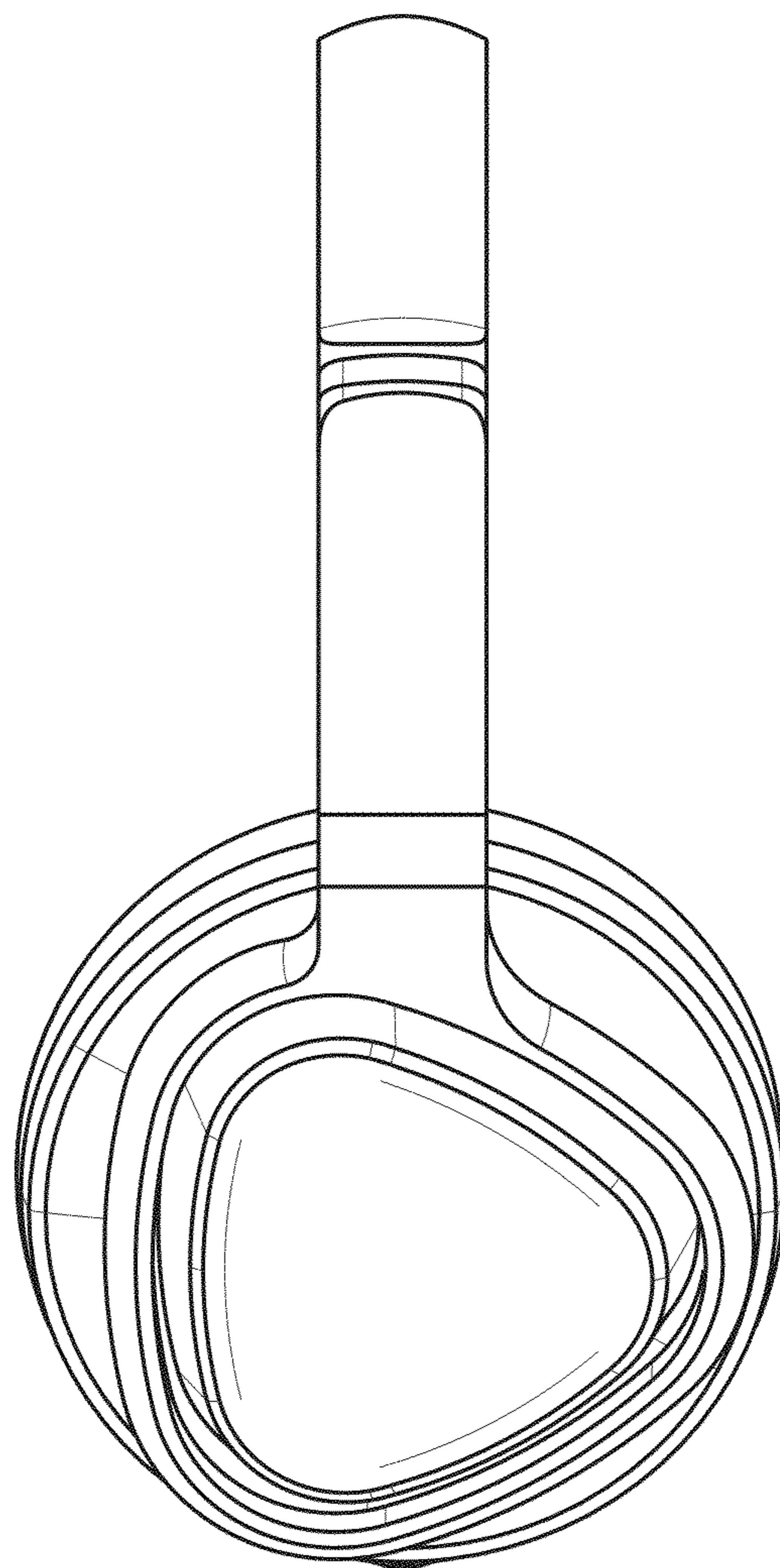


FIG. 5

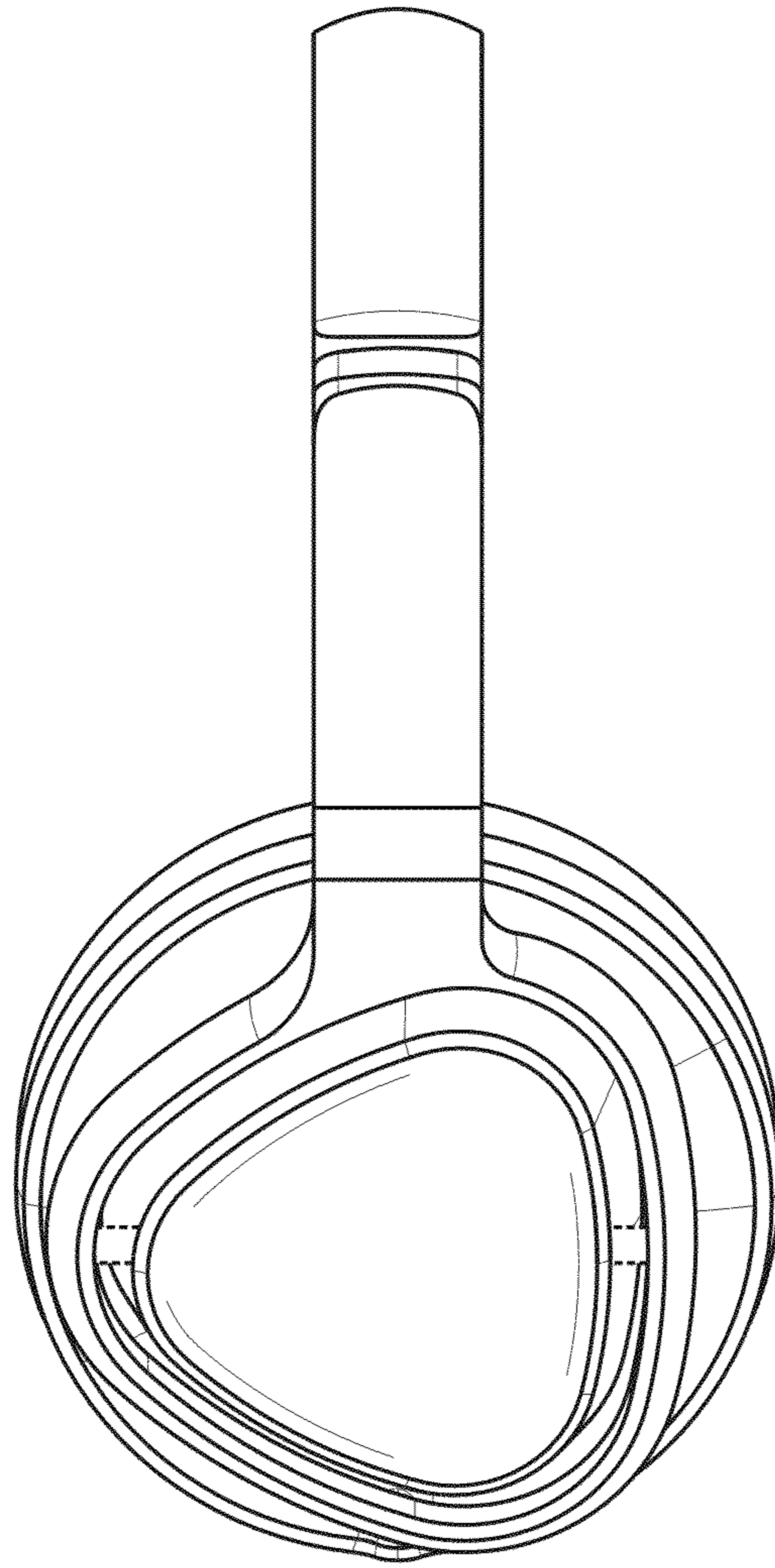


FIG. 6

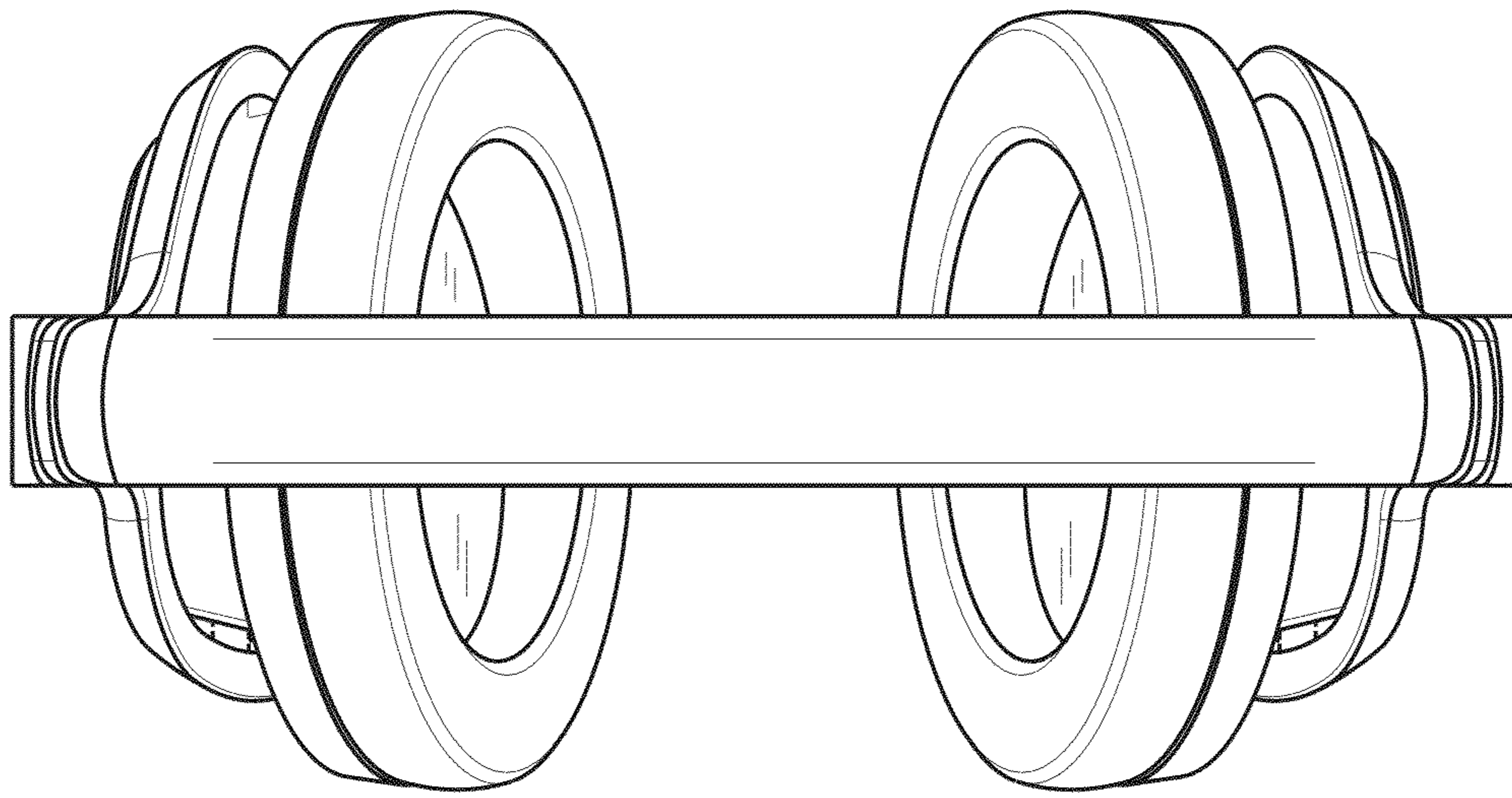


FIG. 7

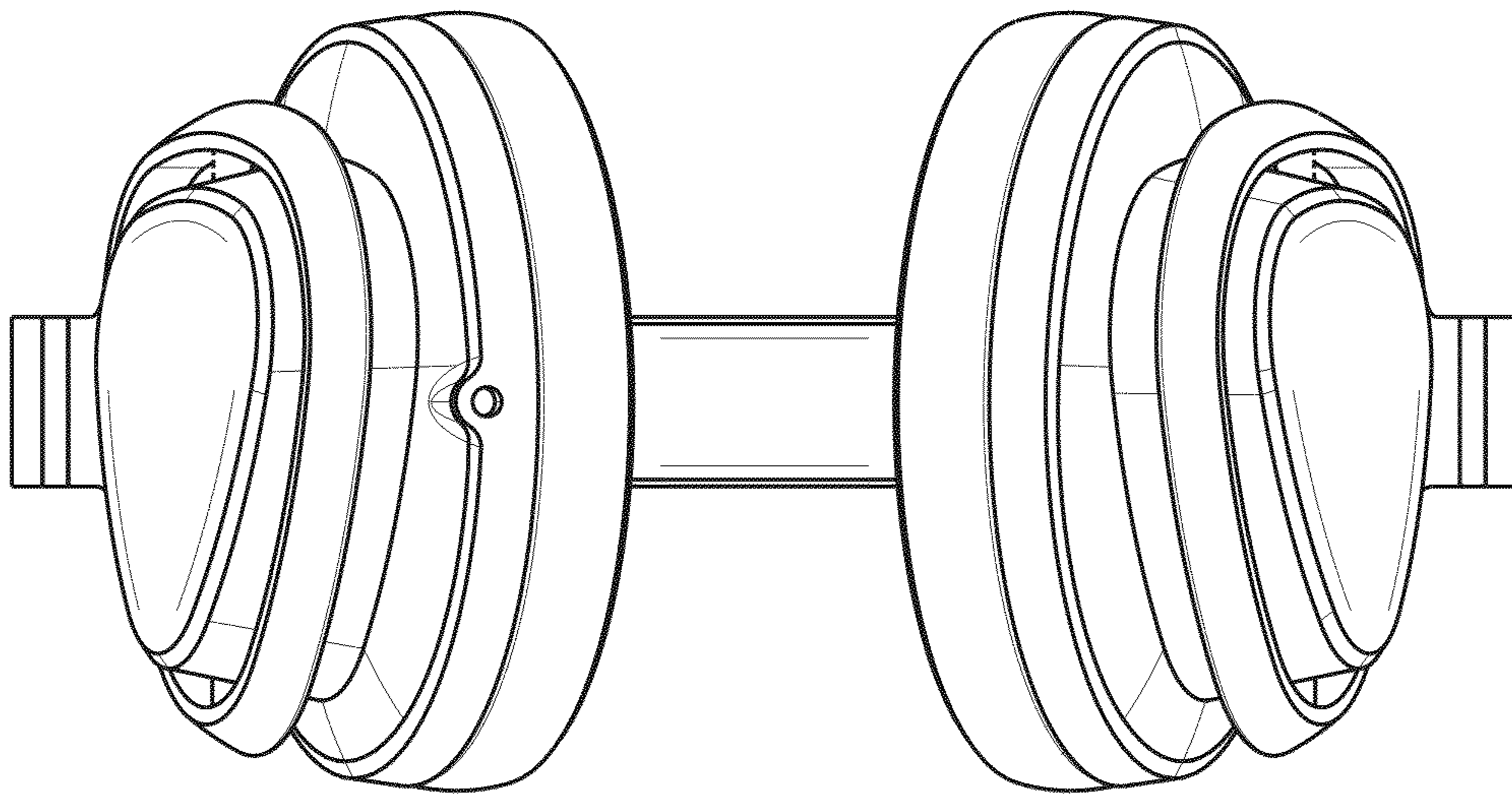


FIG. 8