



US00D716255S

(12) **United States Design Patent**  
**Cho et al.**

(10) **Patent No.:** **US D716,255 S**  
(45) **Date of Patent:** **\*\* Oct. 28, 2014**

(54) **HEADPHONE**

(71) Applicant: **Creative Technology Ltd**, Singapore (SG)

(72) Inventors: **Mei San Gigi Cho**, Singapore (SG);  
**Huang Pheng Vince Ang**, Singapore (SG)

(73) Assignee: **Creative Technology Ltd**, Singapore (SG)

(\*\*) Term: **14 Years**

(21) Appl. No.: **29/460,020**

(22) Filed: **Jul. 6, 2013**

(30) **Foreign Application Priority Data**

Jan. 8, 2013 (SG) ..... D2013/23/J

(51) **LOC (10) Cl.** ..... **14-01**

(52) **U.S. Cl.**  
USPC ..... **D14/205**

(58) **Field of Classification Search**  
CPC ..... H04R 5/033  
USPC ..... D14/205; D29/112; 2/209; 181/129,  
181/130, 135; 379/430, 431; 381/380, 381,  
381/370, 374; 455/90.3, 575.1  
See application file for complete search history.

(56) **References Cited**

**U.S. PATENT DOCUMENTS**

D484,485 S \* 12/2003 Matsuoka ..... D14/205  
D582,890 S \* 12/2008 Koza et al. .... D14/205

D588,098 S \* 3/2009 Kurihara ..... D14/205  
D625,705 S \* 10/2010 Ohori et al. .... D14/205  
D637,579 S \* 5/2011 Hamaura et al. .... D14/205  
D662,080 S \* 6/2012 Carr et al. .... D14/205  
D680,516 S \* 4/2013 Lee ..... D14/205  
D684,559 S \* 6/2013 Groset et al. .... D14/205  
D685,763 S \* 7/2013 Lee et al. .... D14/205  
D686,592 S \* 7/2013 Gondo ..... D14/205  
D691,579 S \* 10/2013 Lee et al. .... D14/205  
D697,895 S \* 1/2014 Lee ..... D14/205  
D697,896 S \* 1/2014 Lee et al. .... D14/205  
2009/0010474 A1 \* 1/2009 Ouryouji ..... 381/370  
2013/0343591 A1 \* 12/2013 Brunner et al. .... 381/371

\* cited by examiner

*Primary Examiner* — Paula Greene

(74) *Attorney, Agent, or Firm* — Russell Swerdon; Desmond Gean

(57) **CLAIM**

The ornamental design for a headphone, substantially as shown and described.

**DESCRIPTION**

FIG. 1 is a front bottom right side perspective view of a headphone showing our new design;  
FIG. 2 is a rear bottom right side perspective view thereof;  
FIG. 3 is a front elevational view thereof;  
FIG. 4 is a rear elevational view thereof;  
FIG. 5 is a right side elevational view thereof;  
FIG. 6 is a left side elevational view thereof;  
FIG. 7 is a top plan view thereof; and,  
FIG. 8 is a bottom plan view thereof.  
The broken lines form no part of the claimed design.

**1 Claim, 8 Drawing Sheets**

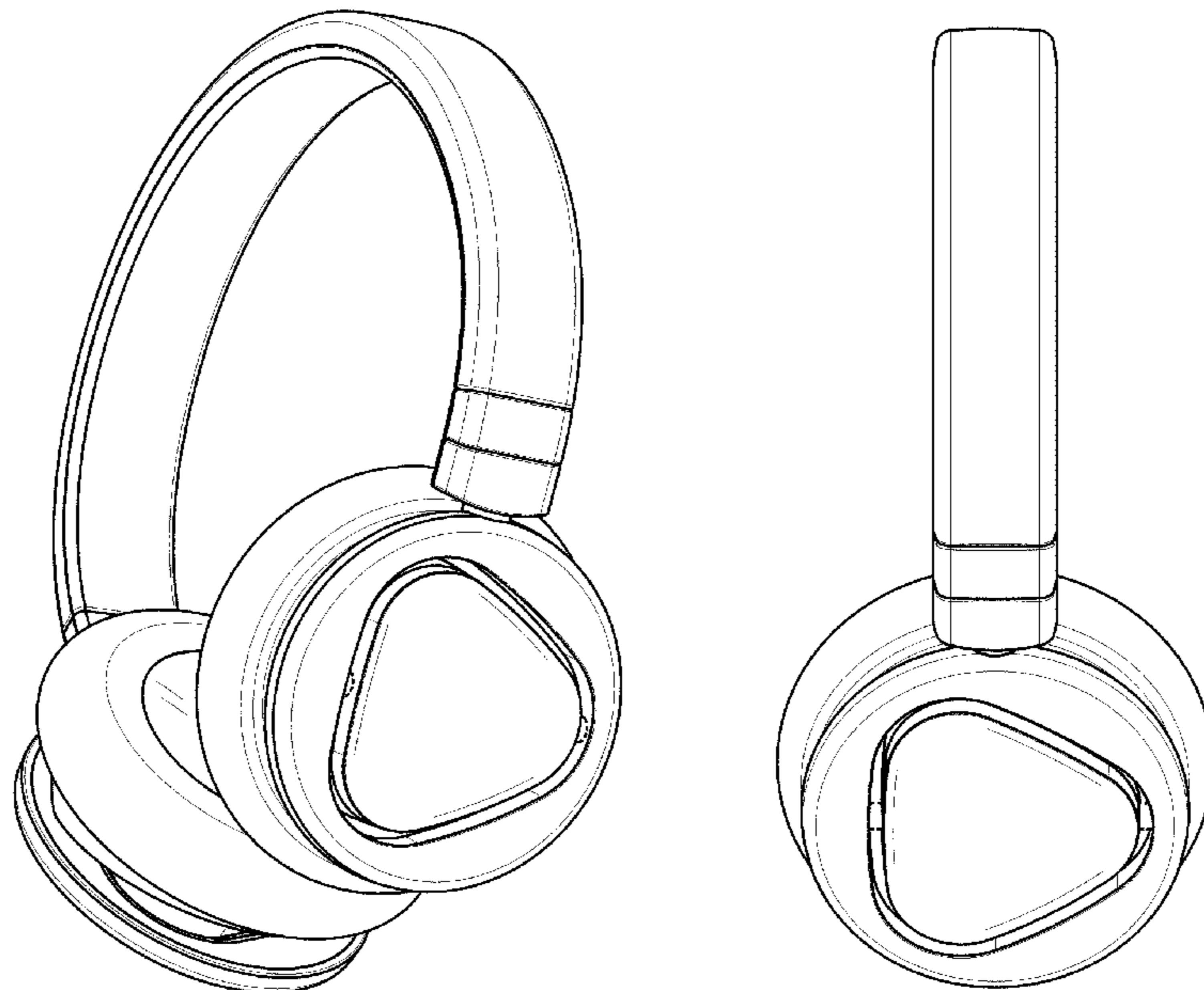




FIG. 1



FIG. 2





FIG. 3



FIG. 4

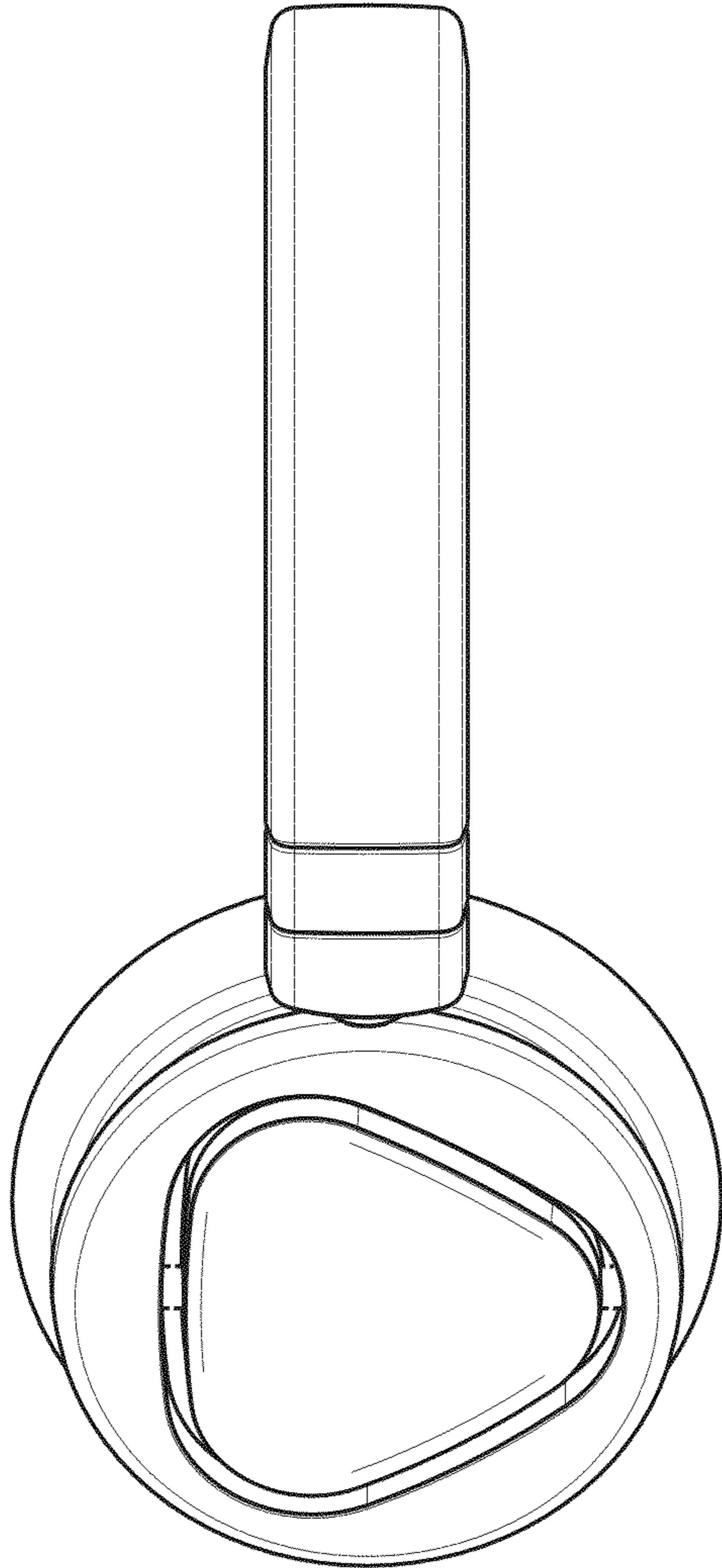


FIG. 5

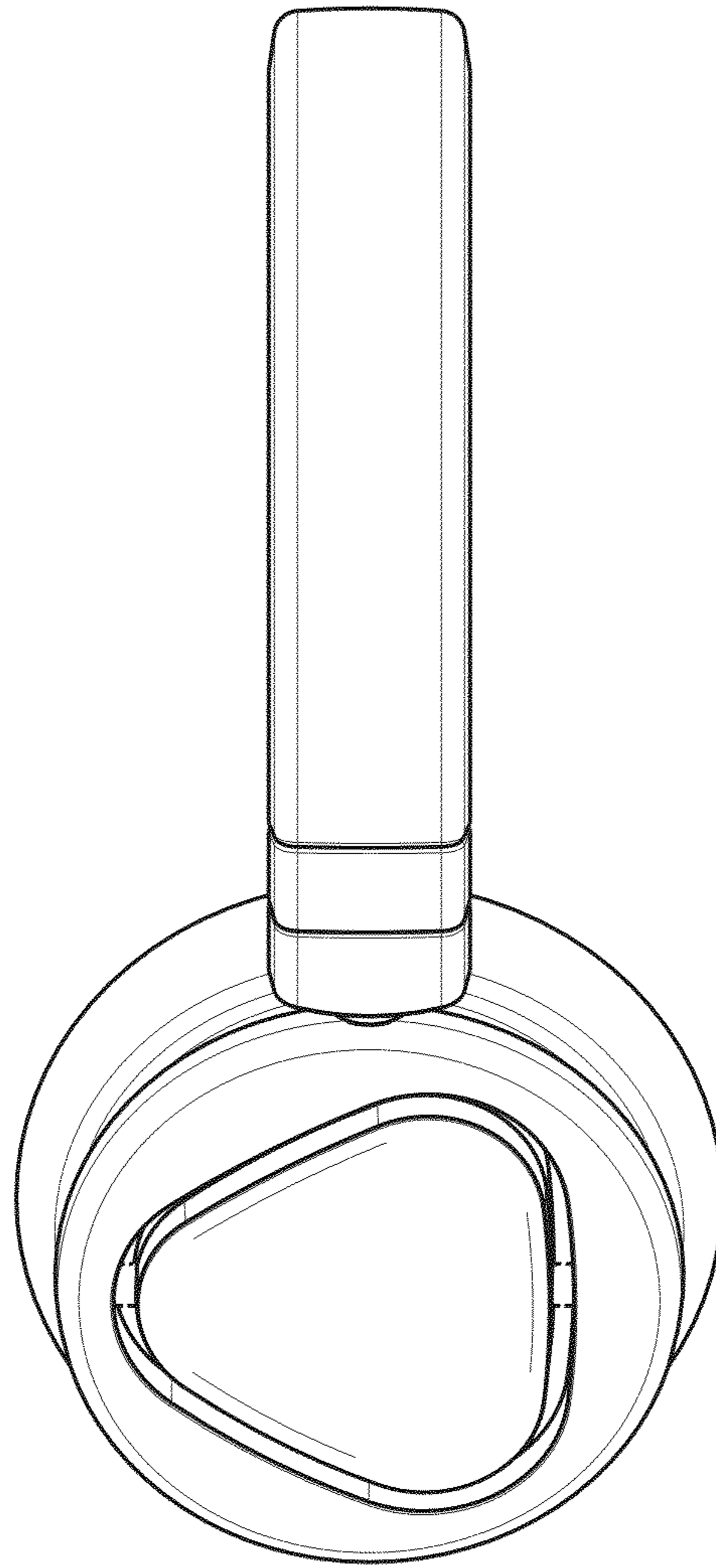


FIG. 6

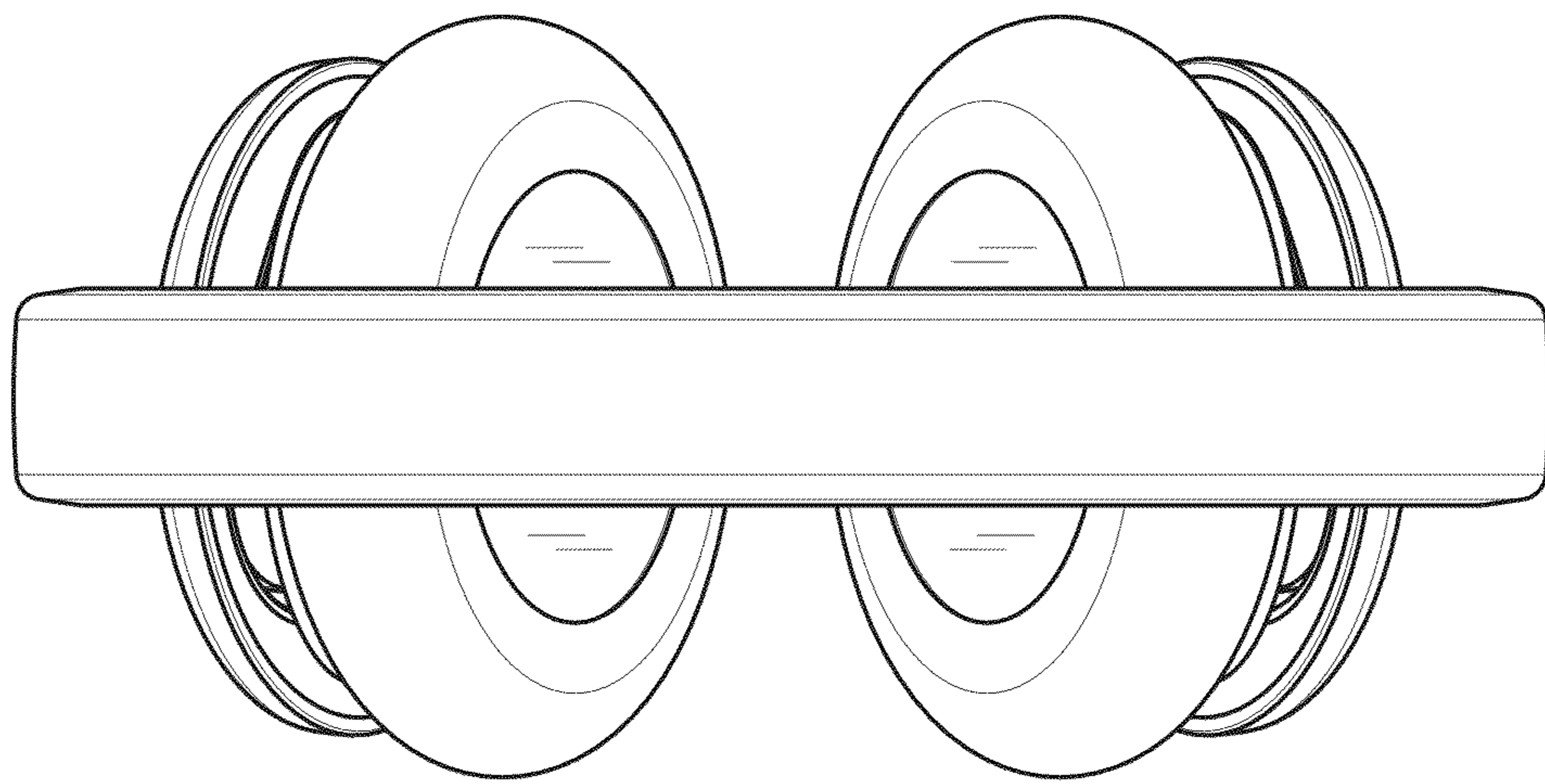


FIG. 7



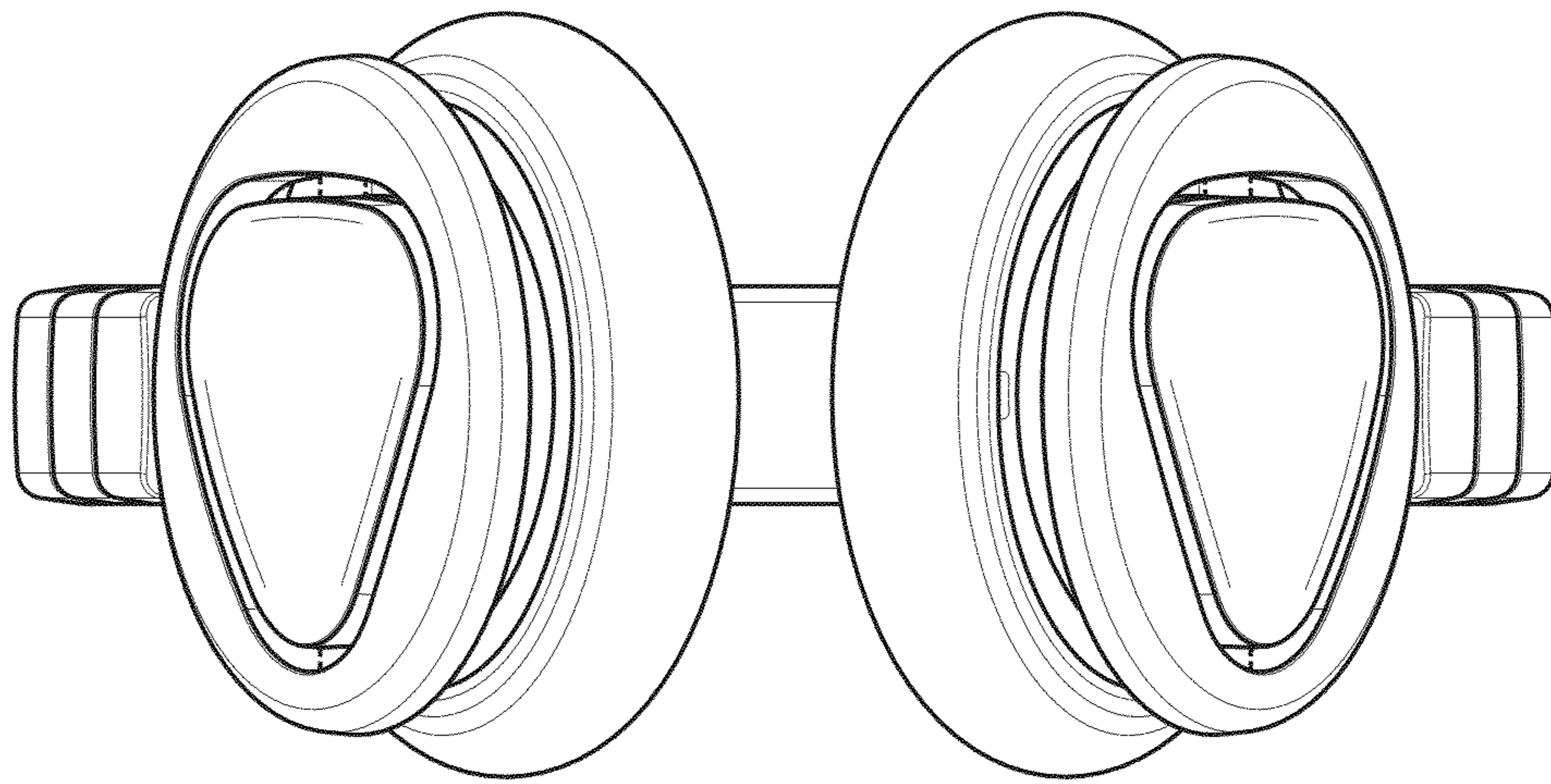


FIG. 8