



US00D716250S

(12) **United States Design Patent**  
**Becker et al.**

(10) **Patent No.:** **US D716,250 S**  
(45) **Date of Patent:** **\*\* Oct. 28, 2014**

(54) **MOBILE PHONE**

D640,219 S \* 6/2011 Sutherland et al. .... D14/138 G  
D651,601 S \* 1/2012 Ichise ..... D14/341  
D652,008 S \* 1/2012 Kim et al. .... D14/138 G

(71) Applicant: **HTC Corporation**, Taoyuan County  
(TW)

(Continued)

(72) Inventors: **Jonah Avram Becker**, San Francisco,  
CA (US); **Derek Jenchia Loh**, San  
Carlos, CA (US); **Daniel Hundt**, San  
Francisco, CA (US); **Tanatip**  
**Arunanondchai**, San Francisco, CA  
(US)

FOREIGN PATENT DOCUMENTS

JP D1476762 8/2013  
TW D149043 9/2012  
TW D156227 10/2013

(73) Assignee: **HTC Corporation**, Taoyuan County  
(TW)

OTHER PUBLICATIONS

HTC First telephone, announced Apr. 2013, [online], [site visited Jul.  
30, 2014]. Available from Internet, <URL: [http://www.gsmarena.com/htc\\_first-5395.php](http://www.gsmarena.com/htc_first-5395.php)>.\*

(\*\*) Term: **14 Years**

(Continued)

(21) Appl. No.: **29/444,616**

*Primary Examiner* — Jeffrey D Asch

(22) Filed: **Feb. 1, 2013**

(74) *Attorney, Agent, or Firm* — Jiang Chyun IP Office

(51) **LOC (10) Cl.** ..... **14-03**

(57) **CLAIM**

(52) **U.S. Cl.**

The ornamental design for a mobile phone, as shown and described.

USPC ..... **D14/138 G**

**DESCRIPTION**

(58) **Field of Classification Search**

USPC ..... D14/138 G, 138 AD, 138 AA, 341, 346,  
D14/138 R, 496, 203.1–203.7, 248, 218,  
D14/191; 455/575.1, 556.2, 575.3, 575.4;  
D21/517, 329, 331, 333; D10/65, 78;  
379/433.01, 433.04; 361/679.3, 679.56

FIG. 1 is a perspective view of a mobile phone showing our new design;

FIG. 2 is another perspective view thereof;

FIG. 3 is a front view thereof;

FIG. 4 is a rear view thereof;

FIG. 5 is a left side view thereof;

FIG. 6 is a right side view thereof;

FIG. 7 is a top view thereof; and,

FIG. 8 is a bottom view thereof.

See application file for complete search history.

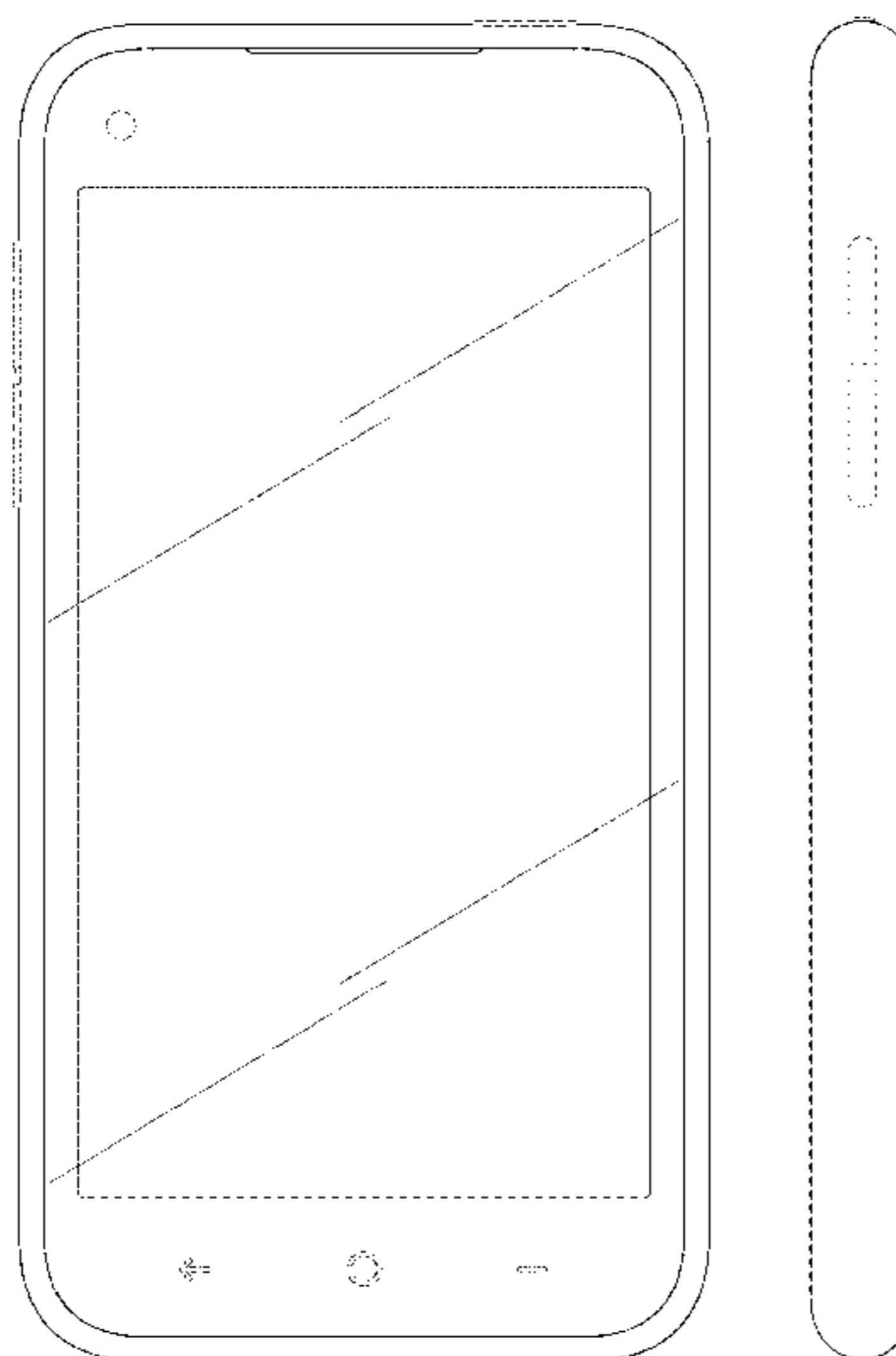
The broken lines shown in the figures that define regions within the claim, and are immediately adjacent to the claimed surfaces, represent the bounds of the claimed design. The broken line showings of icons and a sensor on the front face are directed to environment and are for illustrative purposes only. The broken lines form no part of the claimed design.

(56) **References Cited**

U.S. PATENT DOCUMENTS

D558,757 S \* 1/2008 Andre et al. .... D14/341  
D602,486 S \* 10/2009 Andre et al. .... D14/341  
D604,716 S \* 11/2009 Oh et al. .... D14/203.7  
D615,083 S \* 5/2010 Andre et al. .... D14/341  
D619,555 S \* 7/2010 Yang et al. .... D14/138 G  
D633,090 S \* 2/2011 Andre et al. .... D14/341  
D633,892 S \* 3/2011 Chen ..... D14/138 AD  
D638,814 S \* 5/2011 Sutherland et al. .... D14/138 G

**1 Claim, 6 Drawing Sheets**



(56)

**References Cited**

U.S. PATENT DOCUMENTS

D658,147	S	*	4/2012	Yoon	.....	D14/138	G
D669,444	S	*	10/2012	Shin et al.	.....	D14/138	G
D669,448	S	*	10/2012	Hong	.....	D14/138	G
D676,819	S	*	2/2013	Choi	.....	D14/138	G
D681,032	S	*	4/2013	Akana et al.	.....	D14/341	
D681,578	S		5/2013	Park			
D687,403	S	*	8/2013	Park	.....	D14/138	G
D687,799	S	*	8/2013	Shin et al.	.....	D14/138	G
D688,640	S	*	8/2013	Lee	.....	D14/138	G
D693,787	S	*	11/2013	Reivo et al.	.....	D14/138	G
D702,680	S	*	4/2014	Andre et al.	.....	D14/341	
D706,234	S	*	6/2014	Park	.....	D14/138	G
D707,647	S	*	6/2014	Kim et al.	.....	D14/138	G
D707,648	S	*	6/2014	Ryu et al.	.....	D14/138	G

OTHER PUBLICATIONS

Alcatel Pop S3 telephone, announced Feb. 2014, [online], [site visited Jul. 30, 2014]. Available from Internet, <URL: [http://www.gsmarena.com/alcatel\\_pop\\_s3-6151.php](http://www.gsmarena.com/alcatel_pop_s3-6151.php)>.\*

Prestigio MultiPhone 4044 Duo telephone, announced 2013, [online], [site visited Jul. 30, 2014]. Available from Internet, <URL: [http://www.gsmarena.com/prestigio\\_multiphone\\_4044\\_duo-5710.php](http://www.gsmarena.com/prestigio_multiphone_4044_duo-5710.php)>.\*

Nokia Lumia 1320 telephone, announced Oct. 2013, [online], [site visited Jul. 30, 2014]. Available from Internet, <URL: [http://www.gsmarena.com/nokia\\_lumia\\_1320-5791.php](http://www.gsmarena.com/nokia_lumia_1320-5791.php)>.\*

Nokia Lumia 625 telephone, announced Jul. 2013, [online], [site visited Jul. 30, 2014]. Available from Internet, <URL: [http://www.gsmarena.com/nokia\\_lumia\\_625-5438.php](http://www.gsmarena.com/nokia_lumia_625-5438.php)>.\*

BLU Studio 5.5 telephone, announced Sep. 2013, [online], [site visited Jul. 30, 2014]. Available from Internet, <URL: [http://www.gsmarena.com/blu\\_studio\\_5\\_5-5761.php](http://www.gsmarena.com/blu_studio_5_5-5761.php)>.\*

Alcatel Pop C9 telephone, announced Jan. 2014, [online], [site visited Jul. 30, 2014]. Available from Internet, <URL: [http://www.gsmarena.com/alcatel\\_pop\\_c9-5938.php](http://www.gsmarena.com/alcatel_pop_c9-5938.php)>.\*

Apple iPhone 3GS telephone, announced Jun. 2009, [online], [site visited Jul. 30, 2014]. Available from Internet, <URL: [http://www.gsmarena.com/apple\\_iphone\\_3gs-2826.php](http://www.gsmarena.com/apple_iphone_3gs-2826.php)>.\*

“Office Action of Taiwan counterpart application”, issued on Dec. 23, 2013, p. 1-p. 3, in which the listed references were cited.

\* cited by examiner

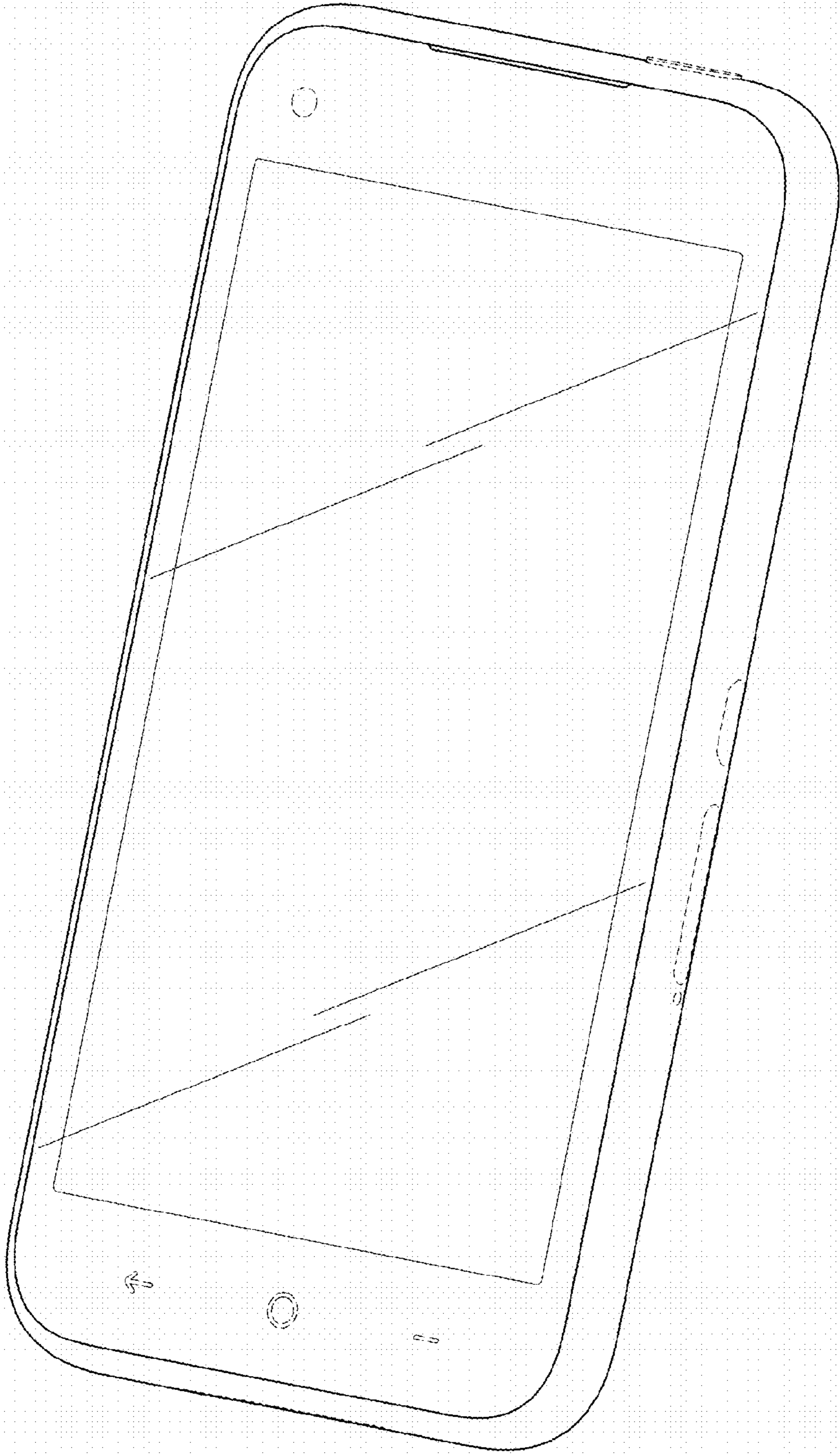


FIG.1

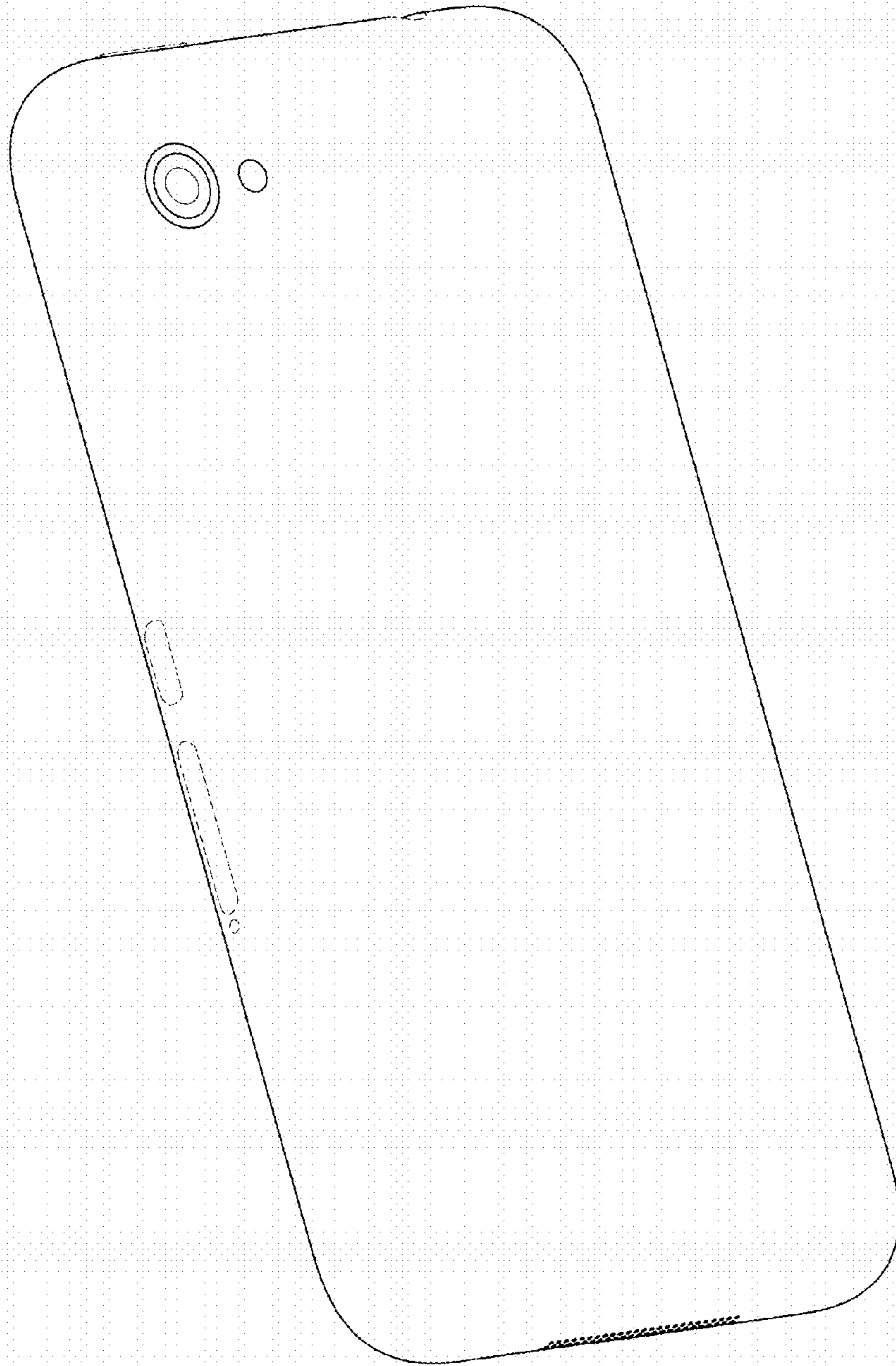


FIG.2

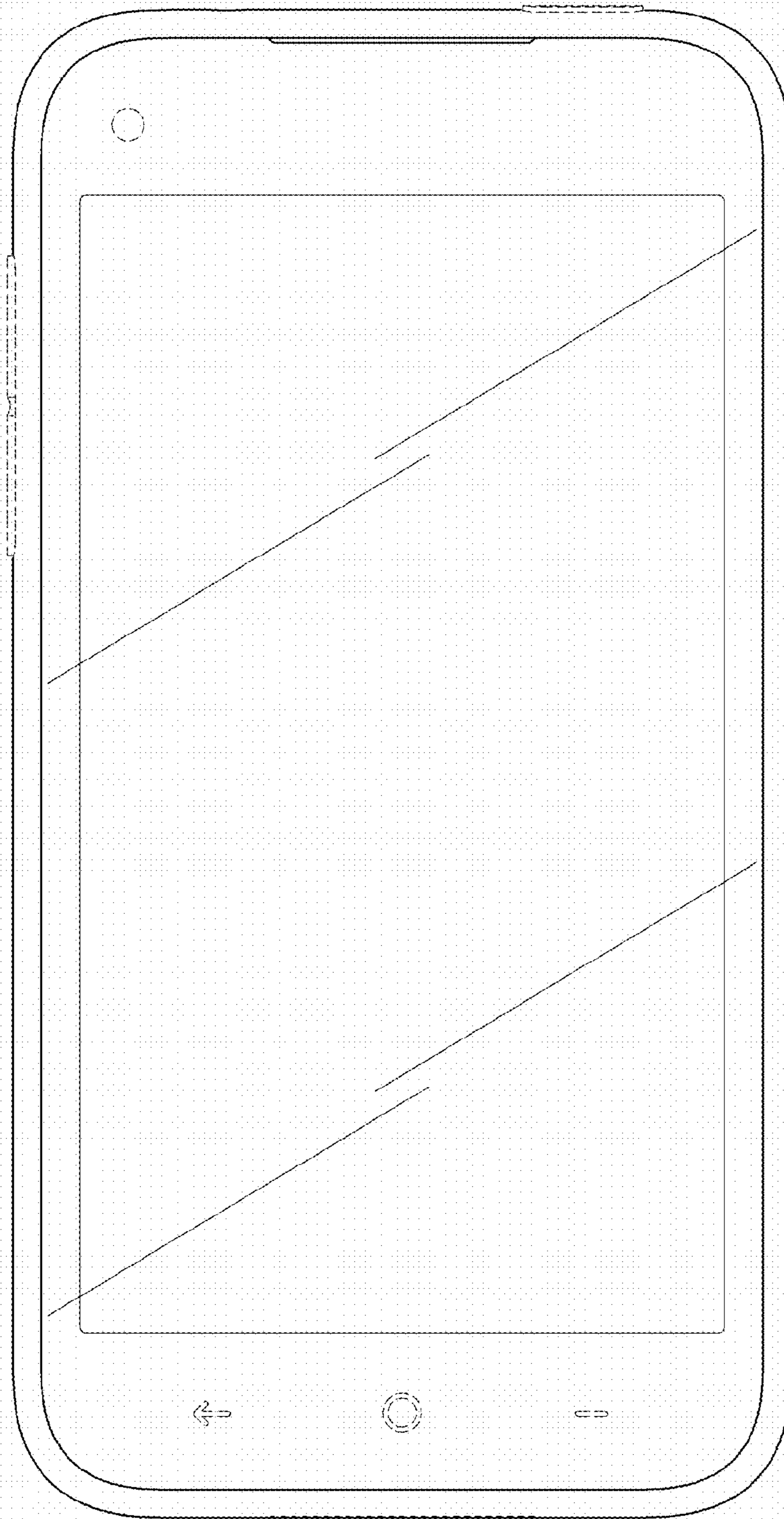


FIG.3

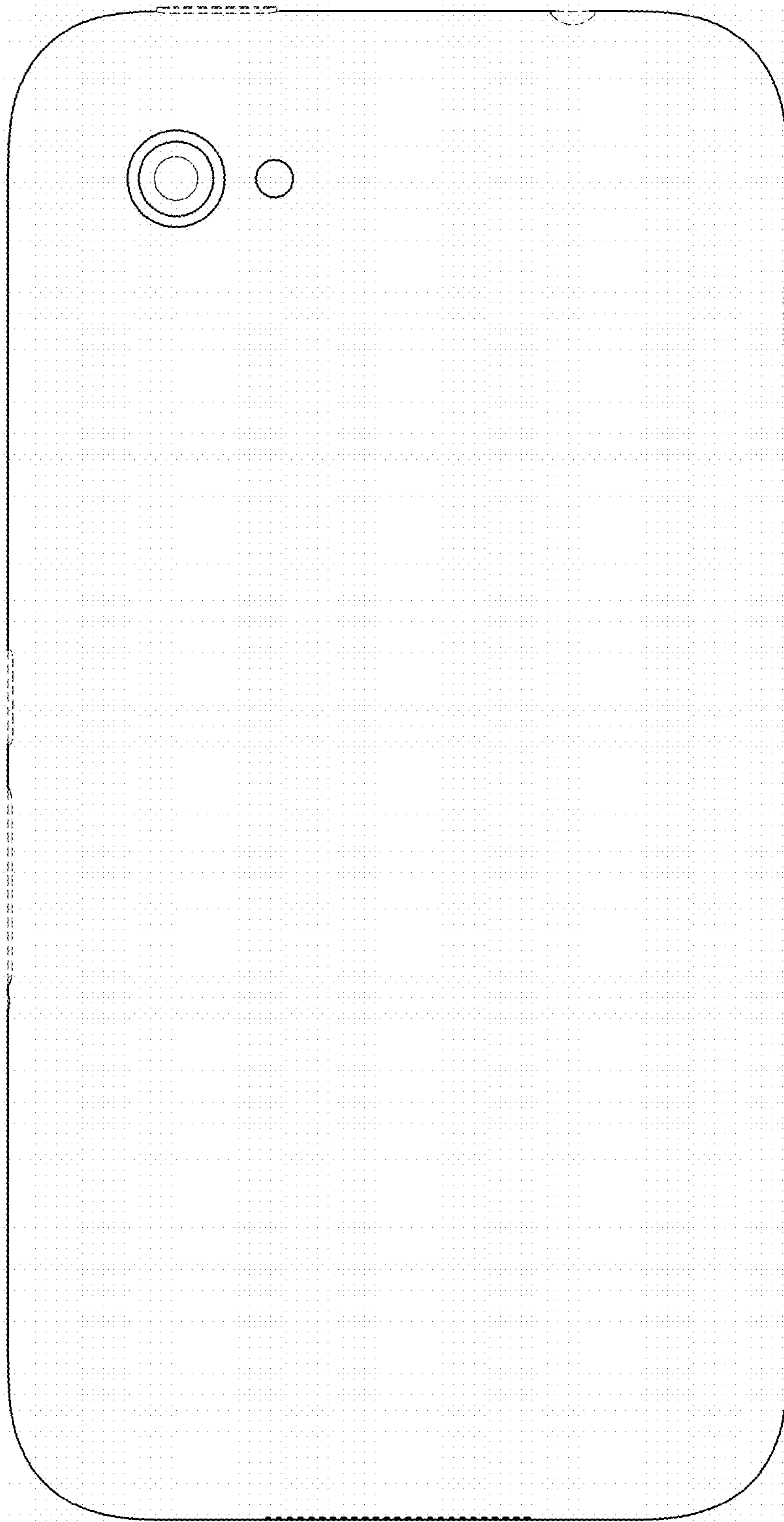


FIG.4

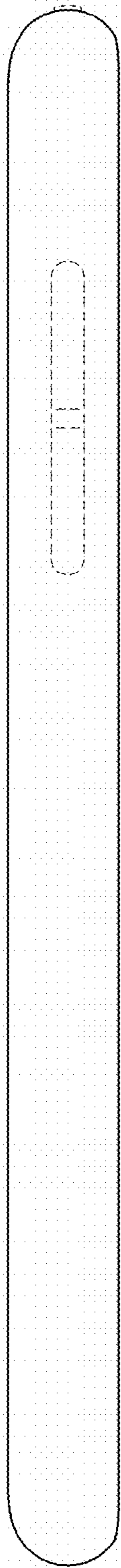


FIG. 5

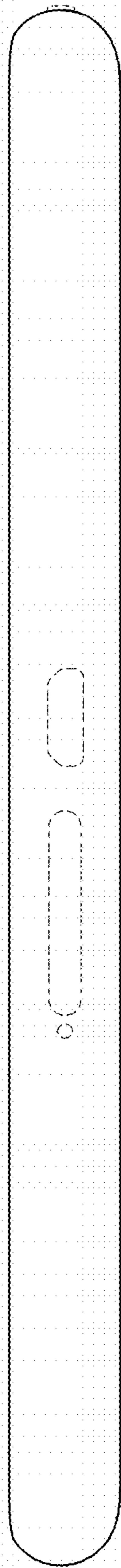


FIG. 6

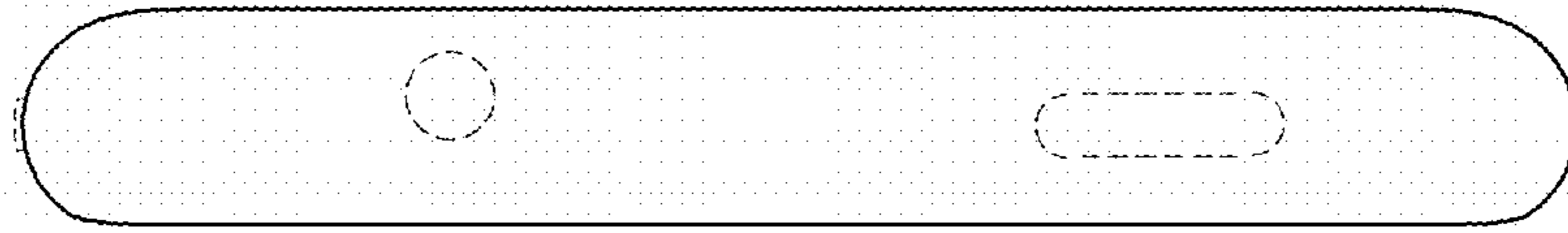


FIG. 7

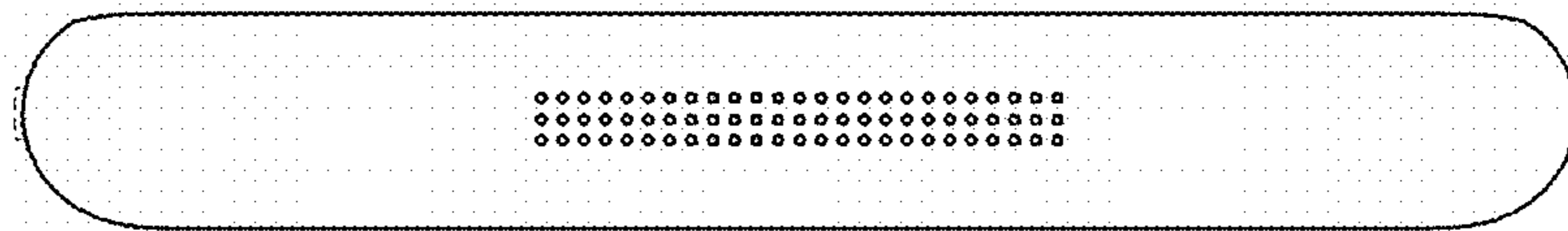


FIG. 8