



US00D716244S

(12) **United States Design Patent**
Kim et al.

(10) **Patent No.:** **US D716,244 S**
(45) **Date of Patent:** **** Oct. 28, 2014**

(54) **TELEVISION RECEIVER**

(71) Applicant: **LG Electronics Inc.**, Seoul (KR)

(72) Inventors: **Jongchul Kim**, Seoul (KR); **Jiyeon Lee**, Seoul (KR)

(73) Assignee: **LG Electronics Inc.**, Seoul (KR)

(**) Term: **14 Years**

(21) Appl. No.: **29/479,507**

(22) Filed: **Jan. 16, 2014**

(30) **Foreign Application Priority Data**

Jan. 7, 2014 (KR) 30-2014-0000872

(51) **LOC (10) Cl.** **14-03**

(52) **U.S. Cl.**
USPC **D14/126**

(58) **Field of Classification Search**

CPC ... G06F 1/1601; G06F 1/1643; H05K 5/0004;
H05K 5/0017; H05K 5/02; H05K 5/0217
USPC D14/125-134, 239, 371, 136, 374-377,
D14/440, 450, 448, 336, 342, 159; 312/7.2;
348/836, 838, 180, 184, 325, 739;
248/917-924, 465; 345/104, 133, 156,
345/168, 87, 173; D21/329, 515, 577, 622,
D21/333, 433, 448, 452, 450, 331, 505;
D10/15, 26; 446/484, 175, 356;
D6/477, 479, 300

See application file for complete search history.

(56) **References Cited**

U.S. PATENT DOCUMENTS

D489,342 S * 5/2004 Campbell et al. D14/130
D529,883 S * 10/2006 Hoehn et al. D14/126

D543,960 S * 6/2007 Bloem D14/126
D563,337 S * 3/2008 Bloem D14/126
D680,106 S * 4/2013 Hwangbo et al. D14/239
D699,205 S * 2/2014 Kim et al. D14/126
D700,187 S * 2/2014 Lee D14/451
D708,596 S * 7/2014 Park D14/126

OTHER PUBLICATIONS

[CES 2014] Samsung VS LG, 'War in Las Vegas', Jan. 6, 2014,
"http://www.eto.co.kr/news/newsPrint.
asp?Code=20140106112645877", pp. 1-5.

* cited by examiner

Primary Examiner — Raphael Barkai

(74) *Attorney, Agent, or Firm* — Birch, Stewart, Kolasch &
Birch, LLP

(57) **CLAIM**

The ornamental design for a television receiver, as shown and described.

DESCRIPTION

FIG. 1 is a perspective view of a television receiver showing our new design;
FIG. 2 is a front view thereof;
FIG. 3 is a rear view thereof;
FIG. 4 is a left side view thereof where the right side view is a mirror image;
FIG. 5 is a top plan view thereof;
FIG. 6 is a bottom plan view thereof;
FIG. 7 is a rear perspective view thereof; and,
FIG. 8 is a reference front view thereof showing the state in which the speaker is protruding downward.
The broken lines are for illustrative purposes only and form no part of the claimed design.

1 Claim, 7 Drawing Sheets

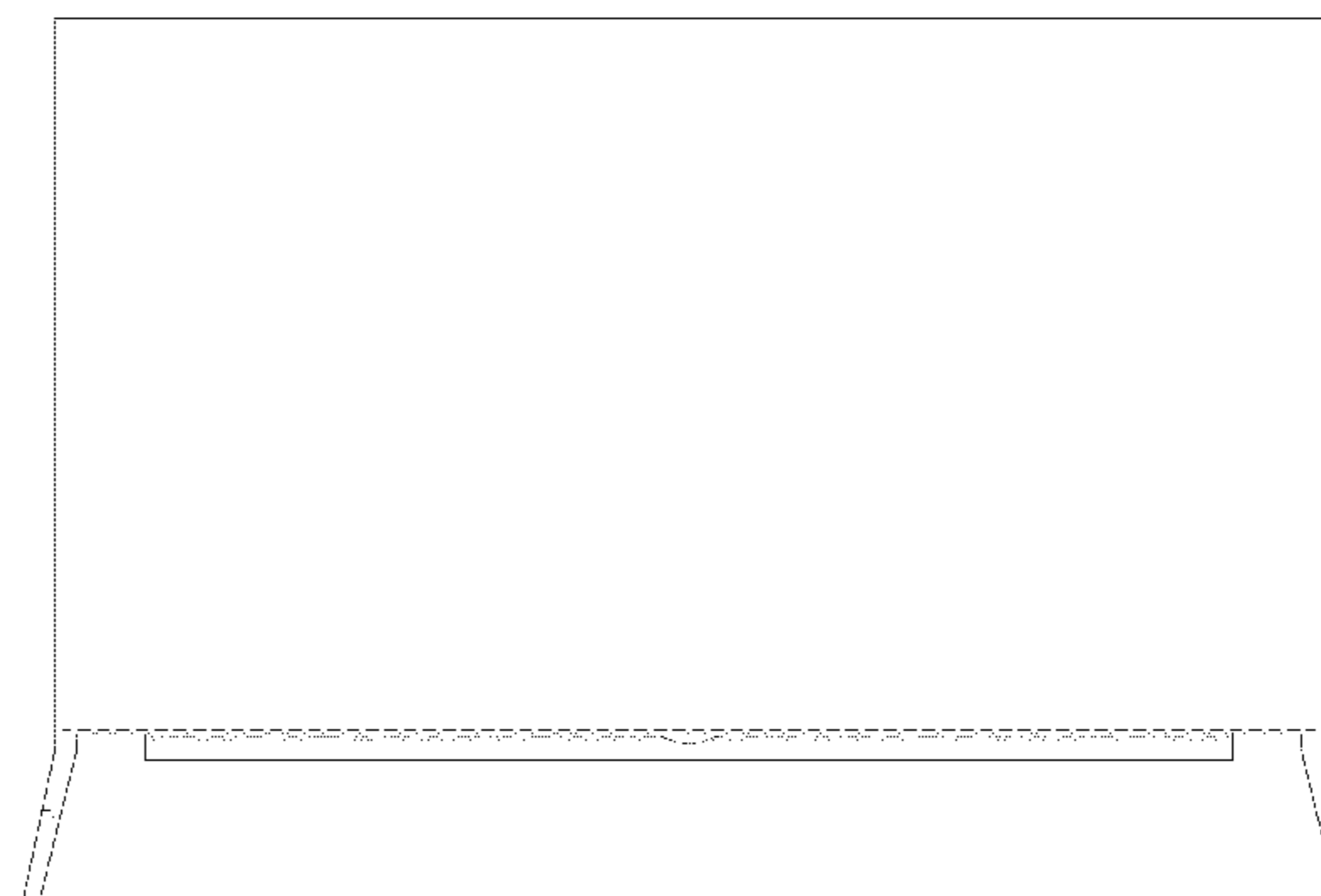
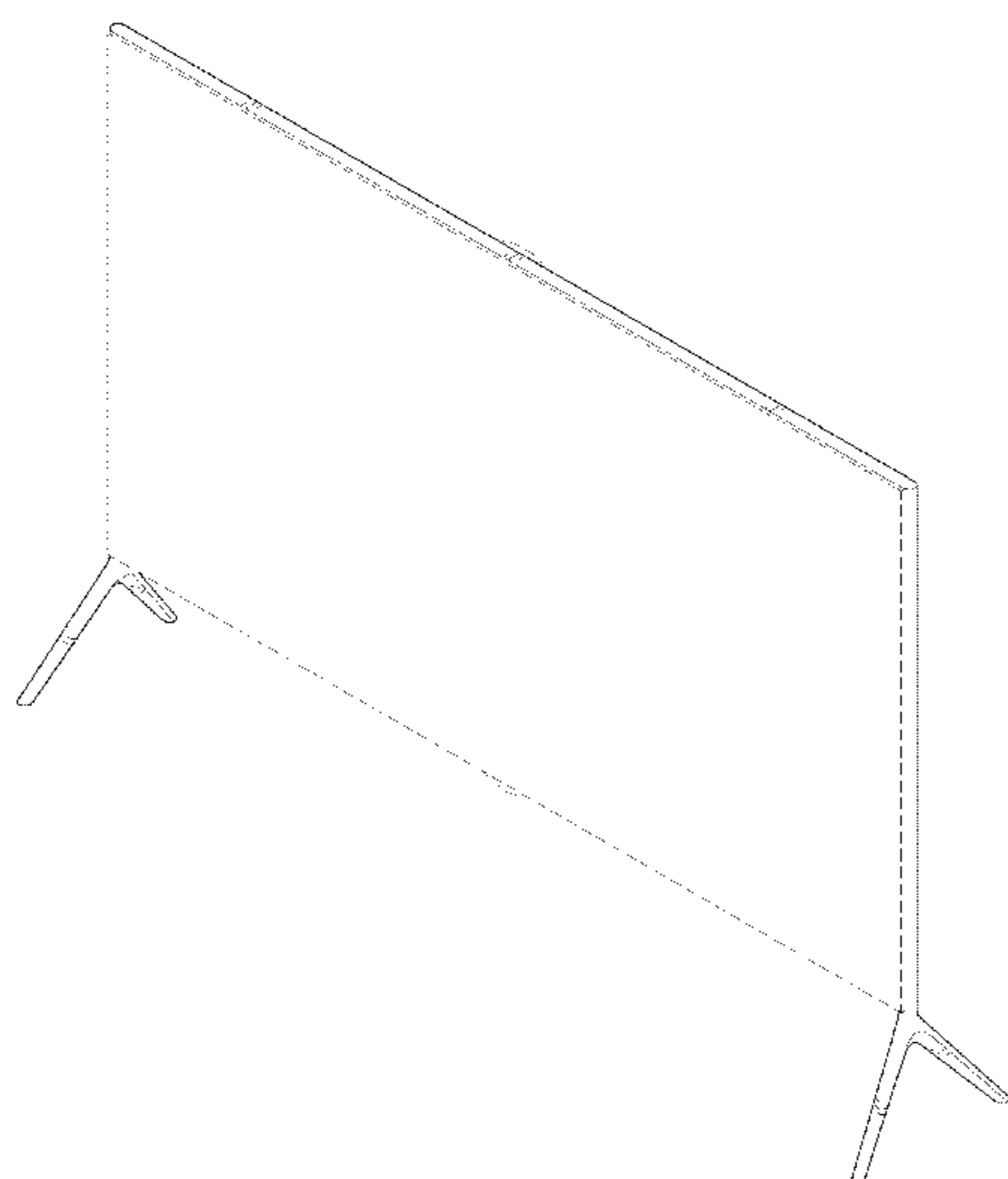


FIG. 1

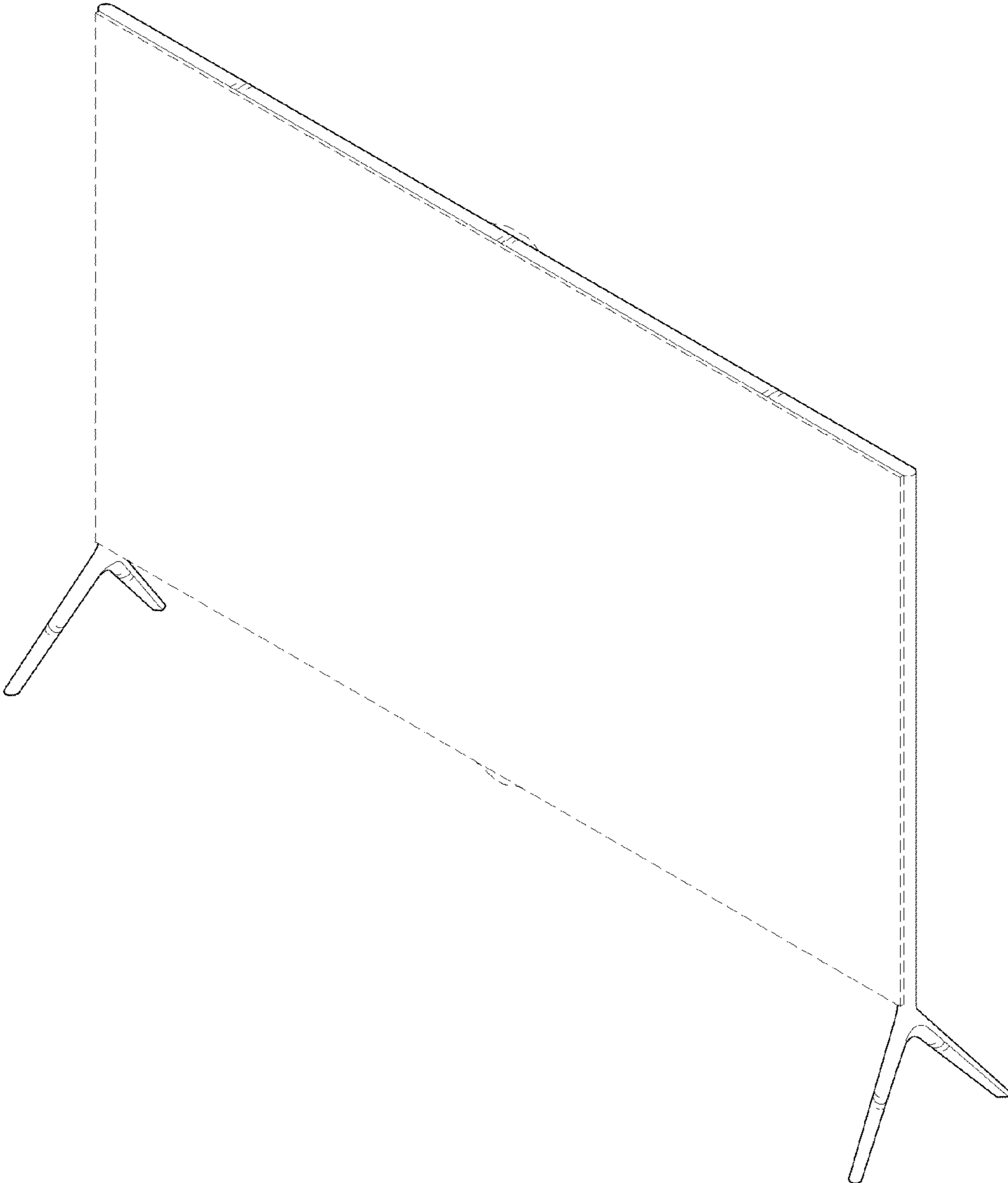


FIG. 2



FIG. 3

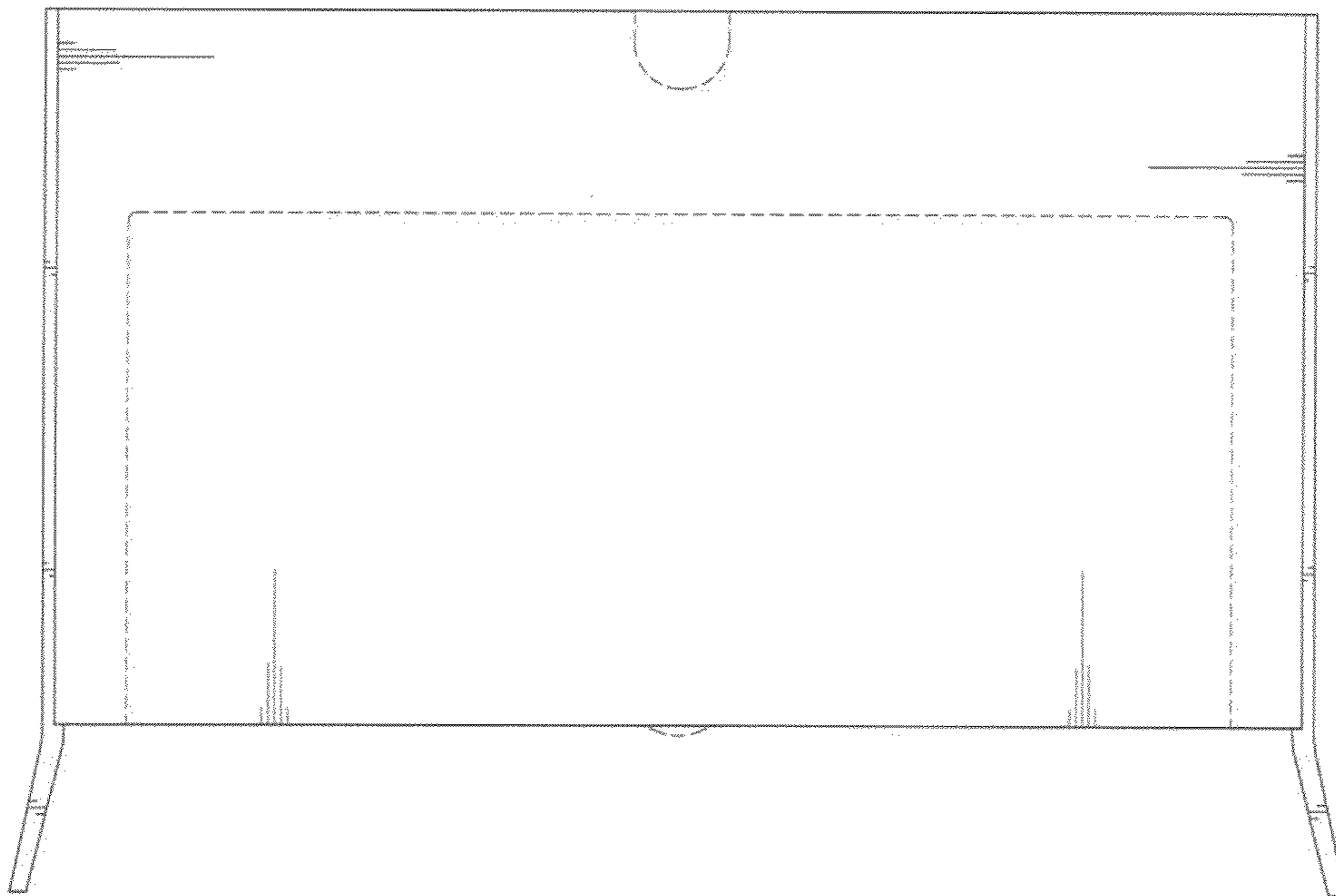


FIG. 4

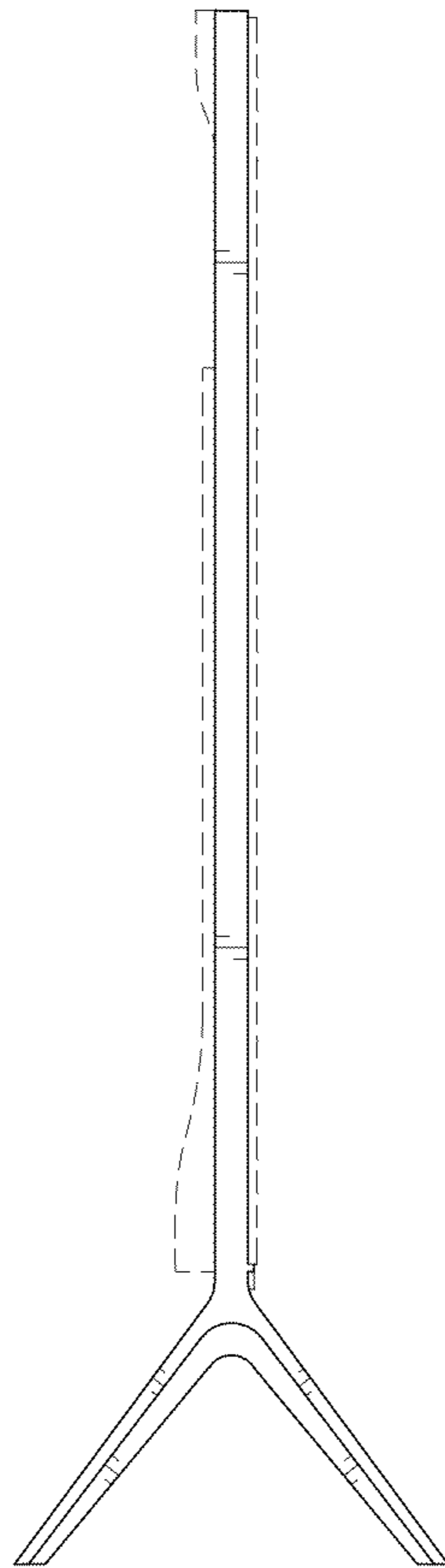


FIG. 5

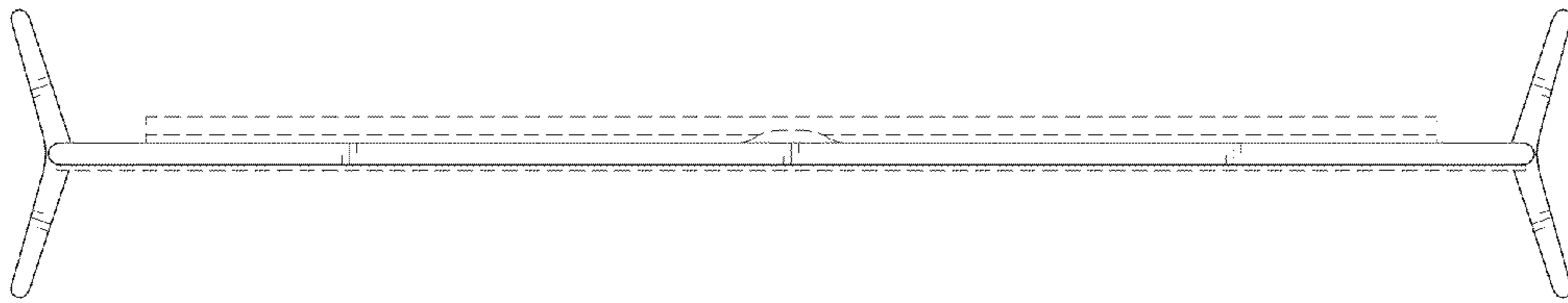


FIG. 6

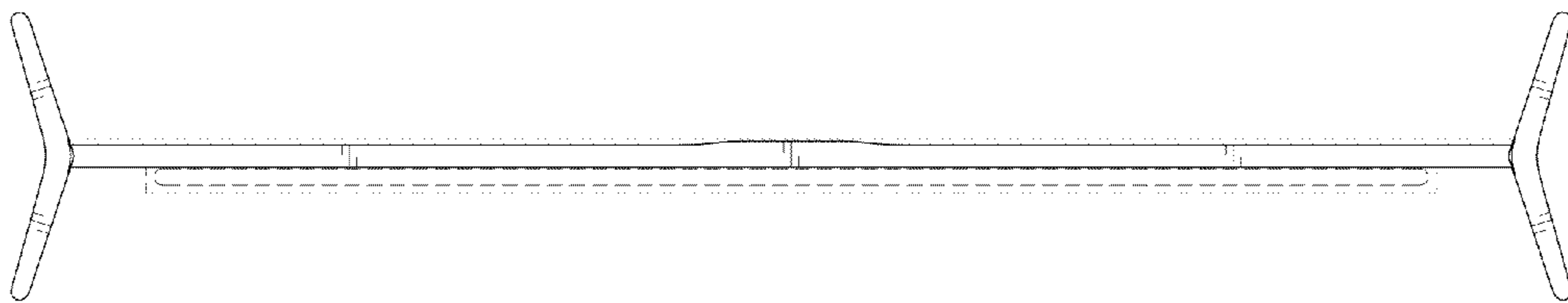


FIG. 7

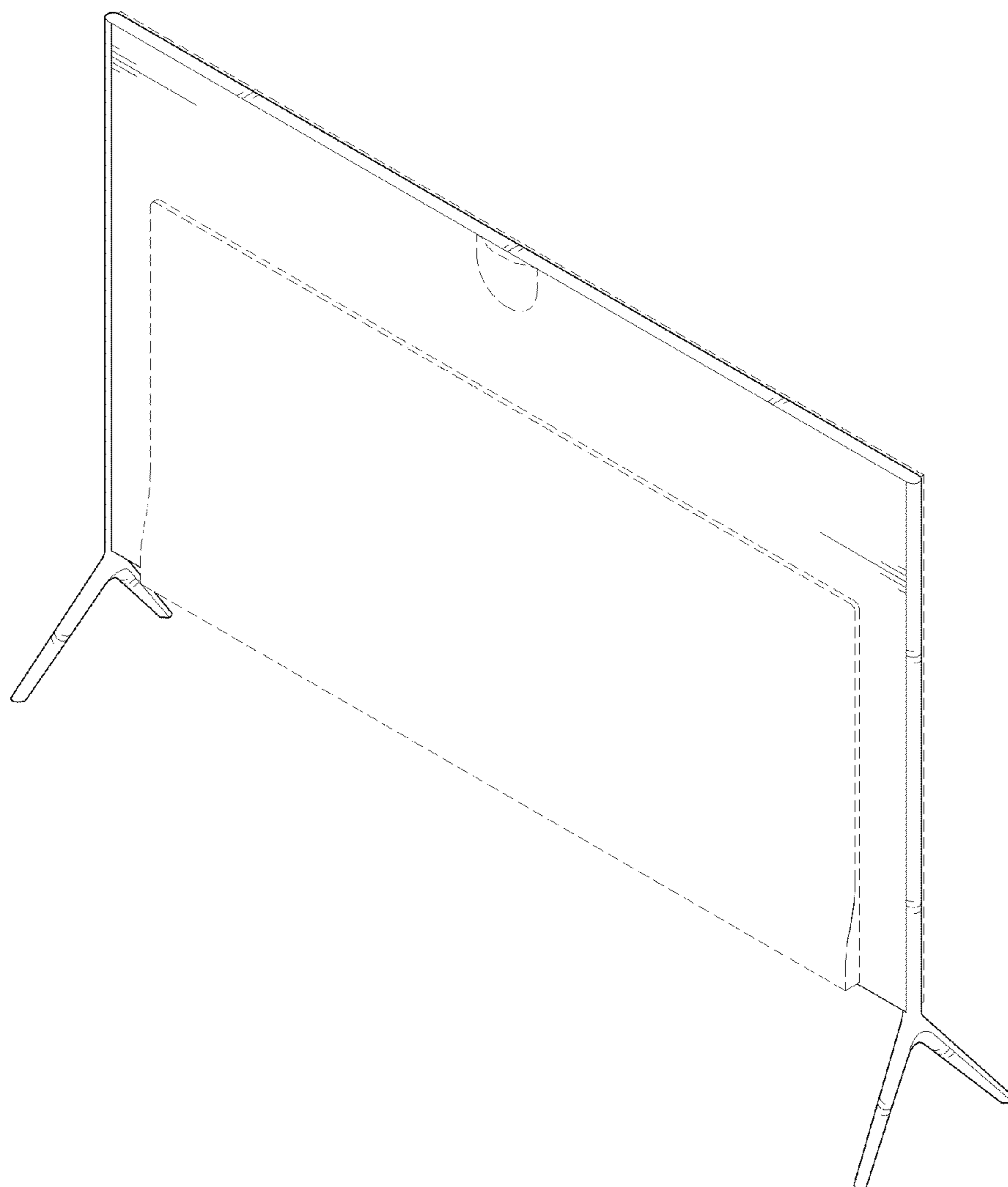


FIG. 8

