



US00D716240S

(12) **United States Design Patent**  
**Lau et al.**

(10) **Patent No.:** **US D716,240 S**  
(45) **Date of Patent:** **\*\* Oct. 28, 2014**

- (54) **LOWER CHAMBER LINER**
- (71) Applicant: **Applied Materials, Inc.**, Santa Clara, CA (US)
- (72) Inventors: **Shu-Kwan Lau**, Sunnyvale, CA (US); **Mehmet Tugrul Samir**, Mountain View, CA (US); **Anzhong Chang**, San Jose, CA (US); **Paul Brillhart**, Pleasanton, CA (US); **Richard O. Collins**, Santa Clara, CA (US)
- (73) Assignee: **Applied Materials, Inc.**, Santa Clara, CA (US)
- (\*\*) Term: **14 Years**
- (21) Appl. No.: **29/472,055**
- (22) Filed: **Nov. 7, 2013**
- (51) **LOC (10) Cl.** ..... **13-03**
- (52) **U.S. Cl.**  
USPC ..... **D13/182**
- (58) **Field of Classification Search**  
USPC ..... D13/182; 118/50, 715, 728, 500, 501, 118/504, 428, 722, 505, 506; 156/345.51  
See application file for complete search history.

- D600,221 S \* 9/2009 Sato ..... D13/182
- D600,222 S \* 9/2009 Sato ..... D13/182
- 7,942,969 B2 \* 5/2011 Riker et al. .... 118/715
- 7,987,814 B2 \* 8/2011 Carducci et al. .... 118/723 R
- 8,118,938 B2 \* 2/2012 Carducci et al. .... 118/715
- D658,691 S \* 5/2012 Suzuki et al. .... D15/138
- D658,692 S \* 5/2012 Suzuki et al. .... D15/138
- D658,693 S \* 5/2012 Suzuki et al. .... D15/138

(Continued)

*Primary Examiner* — Elizabeth J Oswecki  
(74) *Attorney, Agent, or Firm* — Patterson & Sheridan, LLP

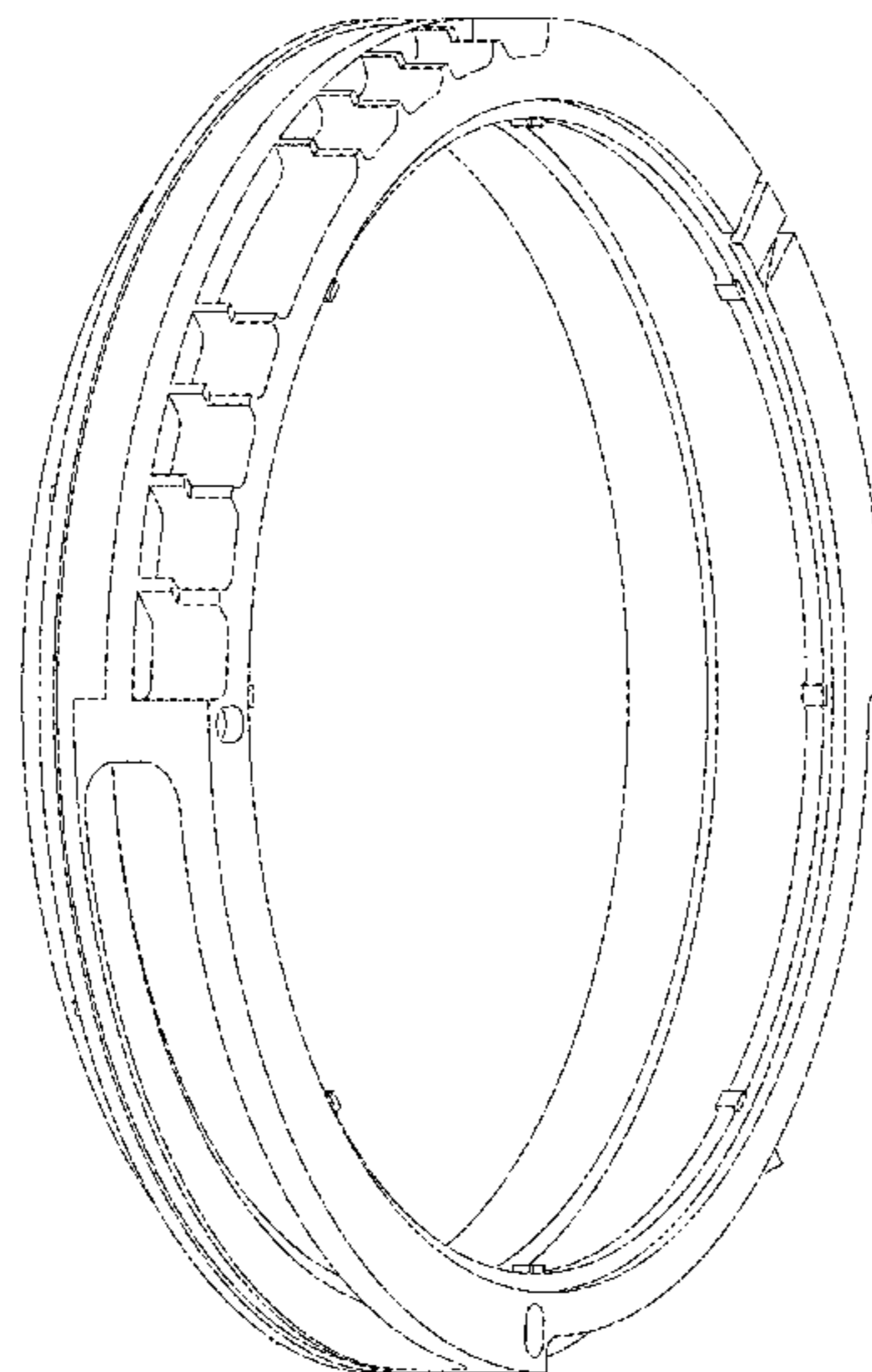
(57) **CLAIM**  
The ornamental design for a lower chamber liner, as shown and described.

**DESCRIPTION**

FIG. 1 is a top perspective view of a lower chamber liner showing our new design;  
 FIG. 2 is another top perspective view thereof;  
 FIG. 3 is a bottom perspective view thereof;  
 FIG. 4 is another bottom perspective view thereof;  
 FIG. 5 is a top plan view thereof;  
 FIG. 6 is a bottom plan view thereof;  
 FIG. 7 is a side view thereof;  
 FIG. 8 is another side view thereof;  
 FIG. 9 is another side view thereof;  
 FIG. 10 is a cross sectional view taken along line 10-10 in FIG. 5;  
 FIG. 11 is an enlarged portion view taken along lines 11-11 in FIG. 10; and,  
 FIG. 12 is an enlarged portion view taken along lines 12-12 in FIG. 10.  
 The broken lines in the figures form no part of the claimed design.  
 The upper chamber liner is shown broken away in FIGS. 11 and 12 to indicate that no particular length is claimed.  
 All surfaces not shown, form no part of the claimed design.

**1 Claim, 8 Drawing Sheets**

- (56) **References Cited**  
U.S. PATENT DOCUMENTS
- 4,340,462 A \* 7/1982 Koch ..... 204/298.35
- D404,370 S \* 1/1999 Kimura ..... D13/182
- D404,372 S \* 1/1999 Ishii ..... D13/182
- 6,170,429 B1 \* 1/2001 Schoepp et al. .... 118/723 R
- 6,277,237 B1 \* 8/2001 Schoepp et al. .... 156/345.1
- 6,884,297 B2 \* 4/2005 Park et al. .... 118/715
- 7,011,039 B1 \* 3/2006 Mohn et al. .... 118/723 R
- 7,234,412 B2 \* 6/2007 Carpenter et al. .... 118/723 R
- D556,704 S \* 12/2007 Nakamura et al. .... D13/182
- D557,226 S \* 12/2007 Uchino et al. .... D13/182
- D593,969 S \* 6/2009 Li ..... D13/182



# US D716,240 S

Page 2

---

(56)

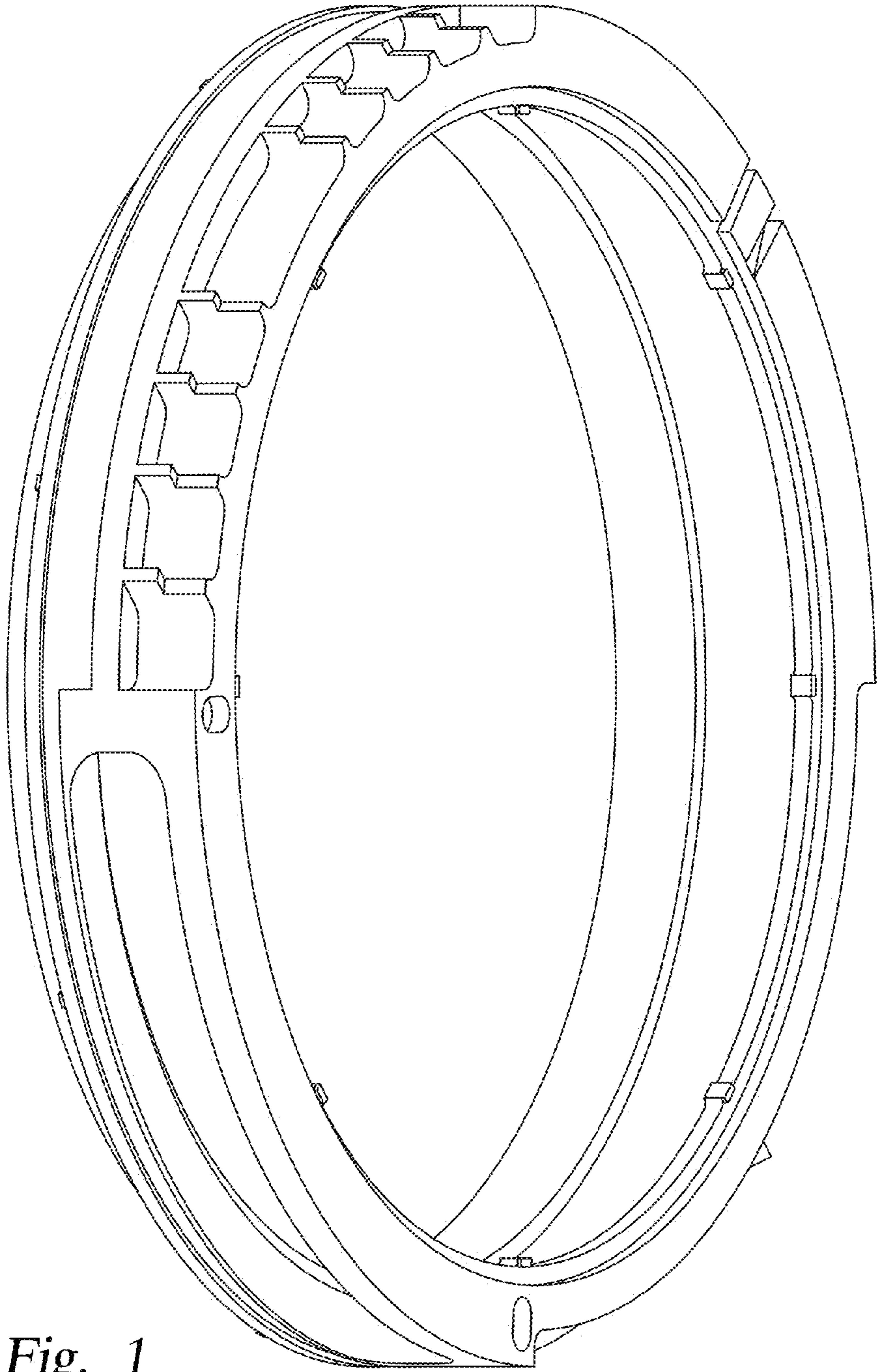
## References Cited

### U.S. PATENT DOCUMENTS

8,282,736 B2 \* 10/2012 Carducci et al. .... 118/715  
8,313,578 B2 \* 11/2012 Carducci et al. .... 118/715  
D678,228 S \* 3/2013 Suzuki et al. .... D13/199

D699,692 S \* 2/2014 Yousif ..... D13/182  
2002/0069970 A1 \* 6/2002 Noorbakhsh et al. .... 156/345.37  
2005/0229849 A1 \* 10/2005 Silvetti et al. .... 118/715  
2008/0041820 A1 \* 2/2008 Tong et al. .... 216/67  
2008/0121620 A1 \* 5/2008 Guo et al. .... 216/67

\* cited by examiner



*Fig. 1*

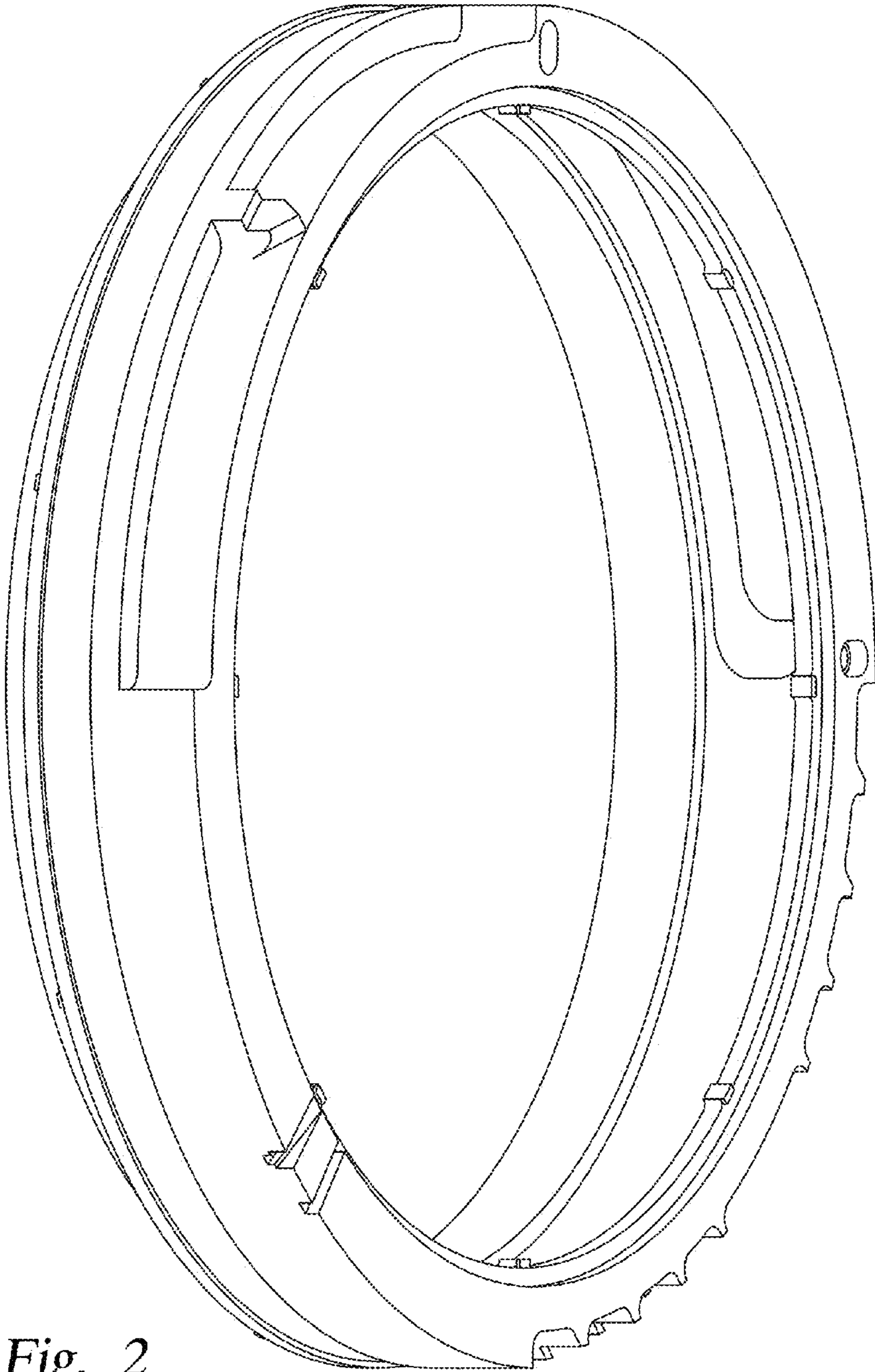


Fig. 2



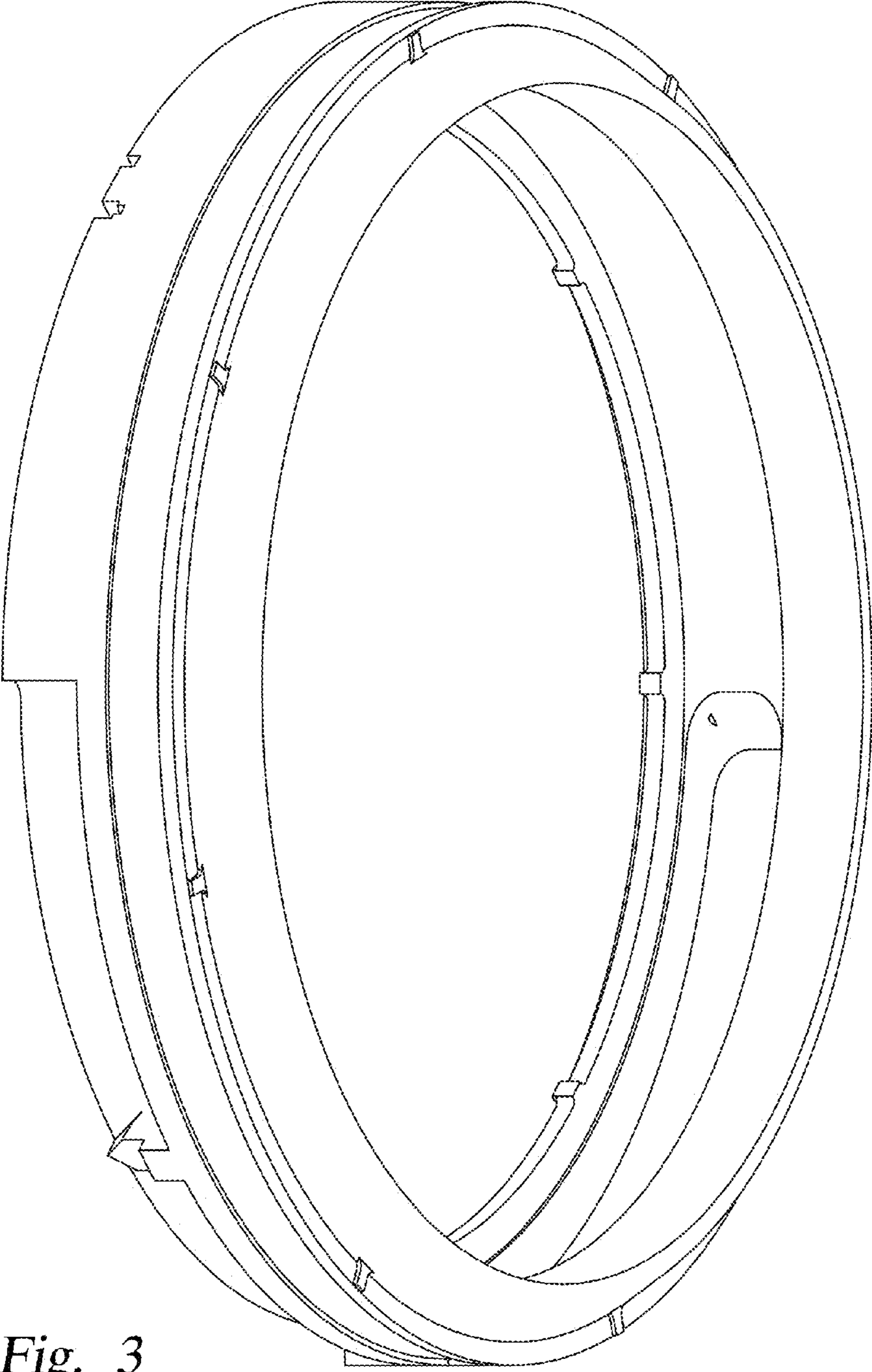


Fig. 3

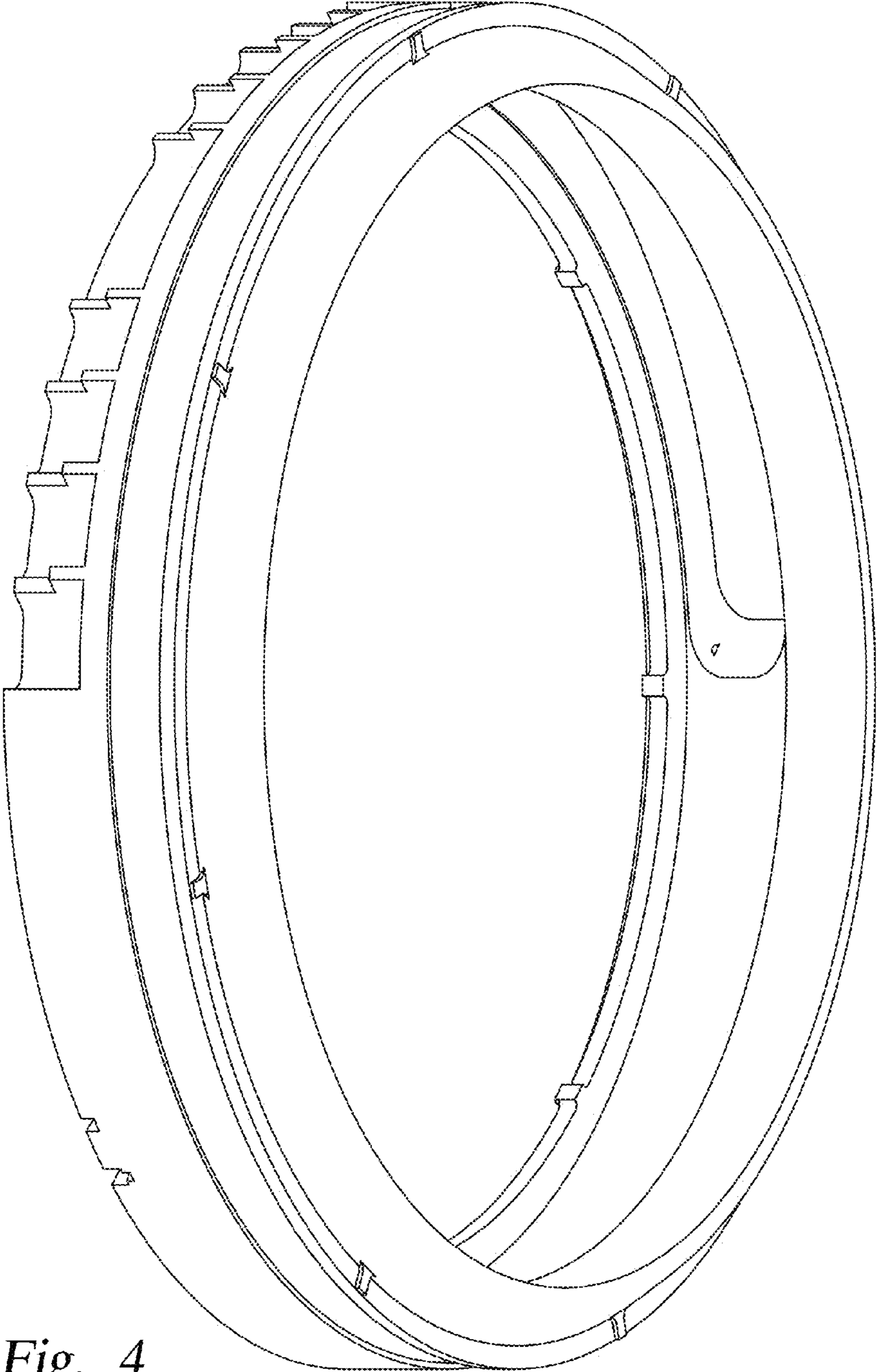
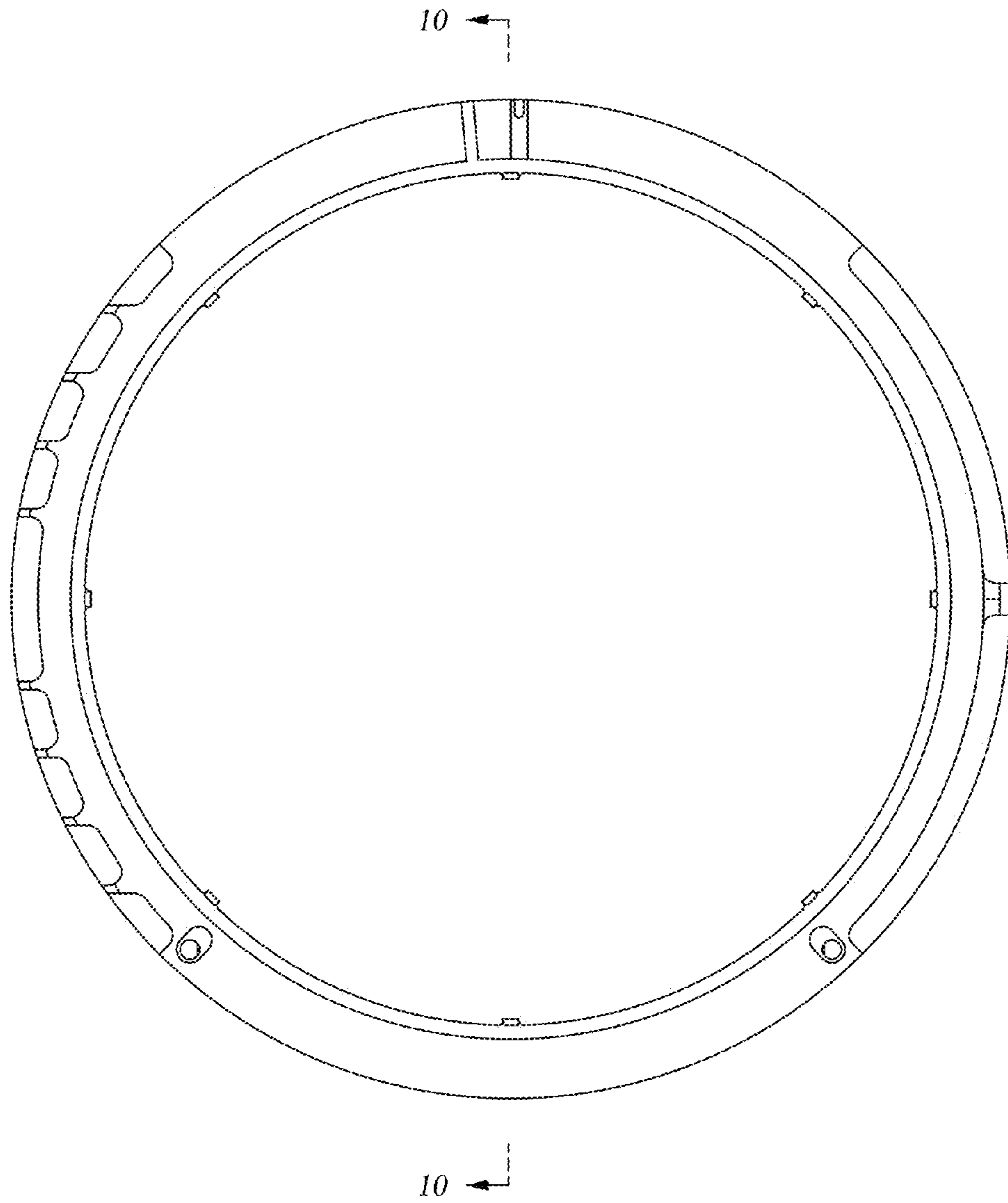
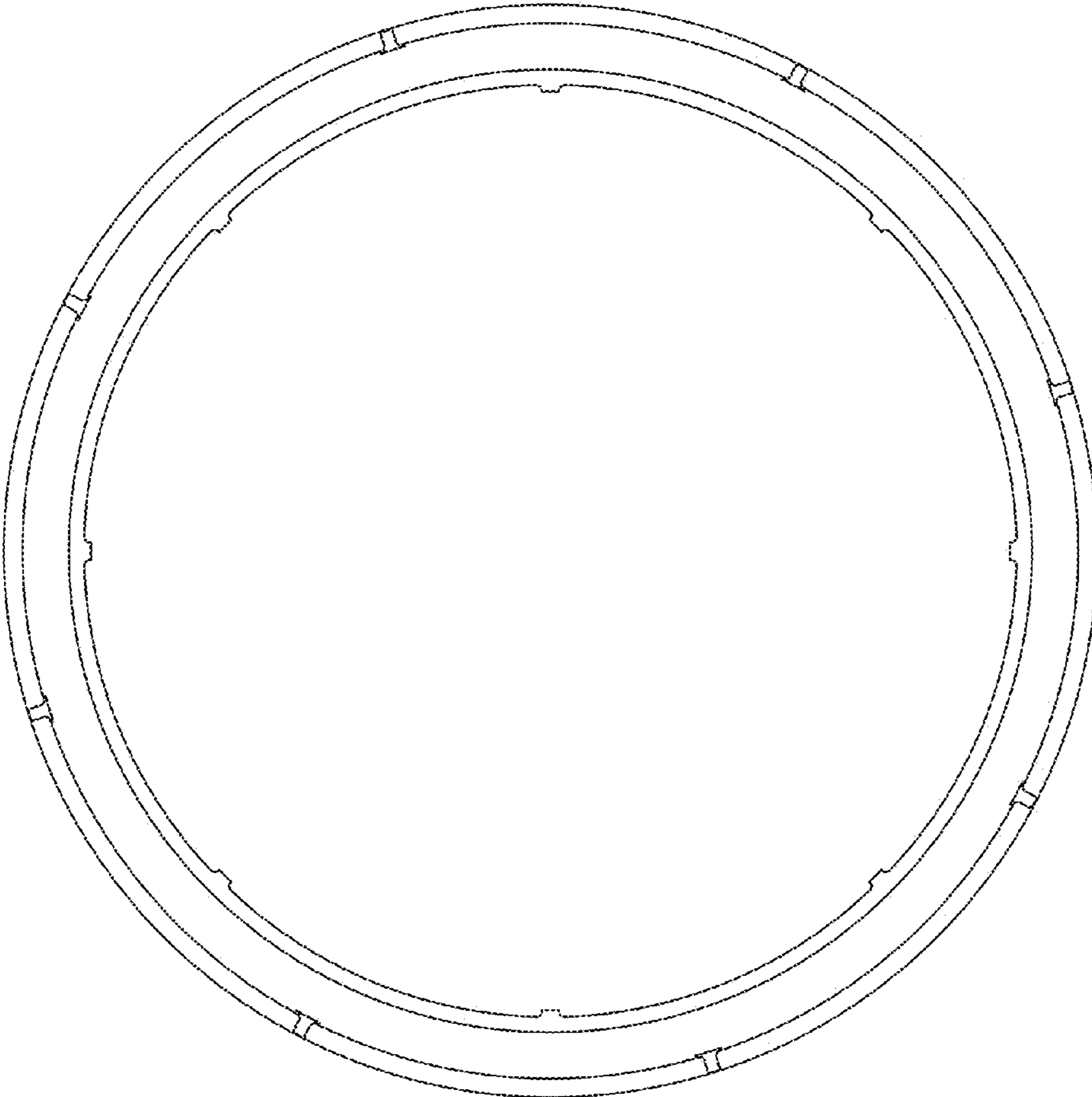


Fig. 4



*Fig. 5*



*Fig. 6*



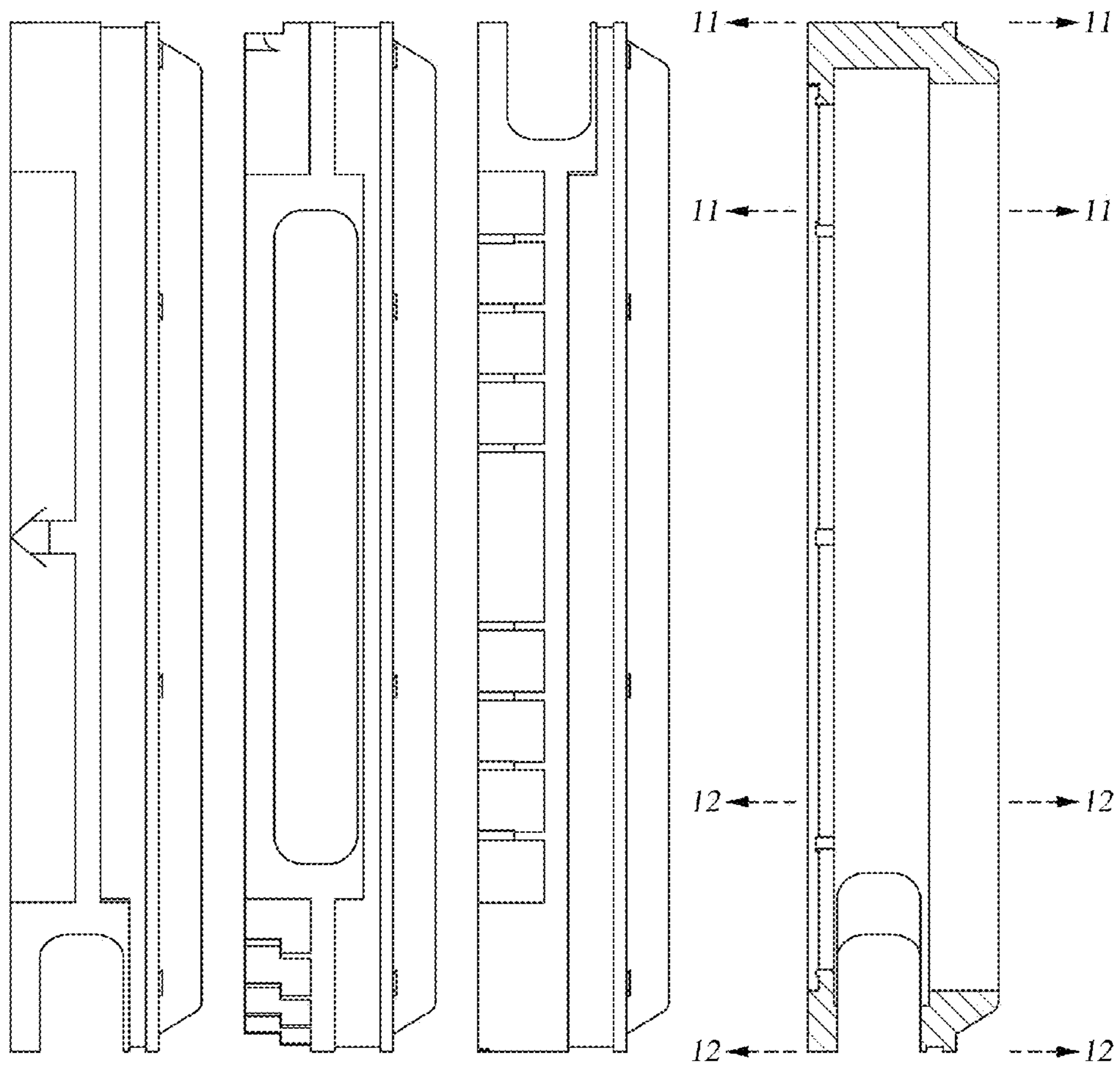


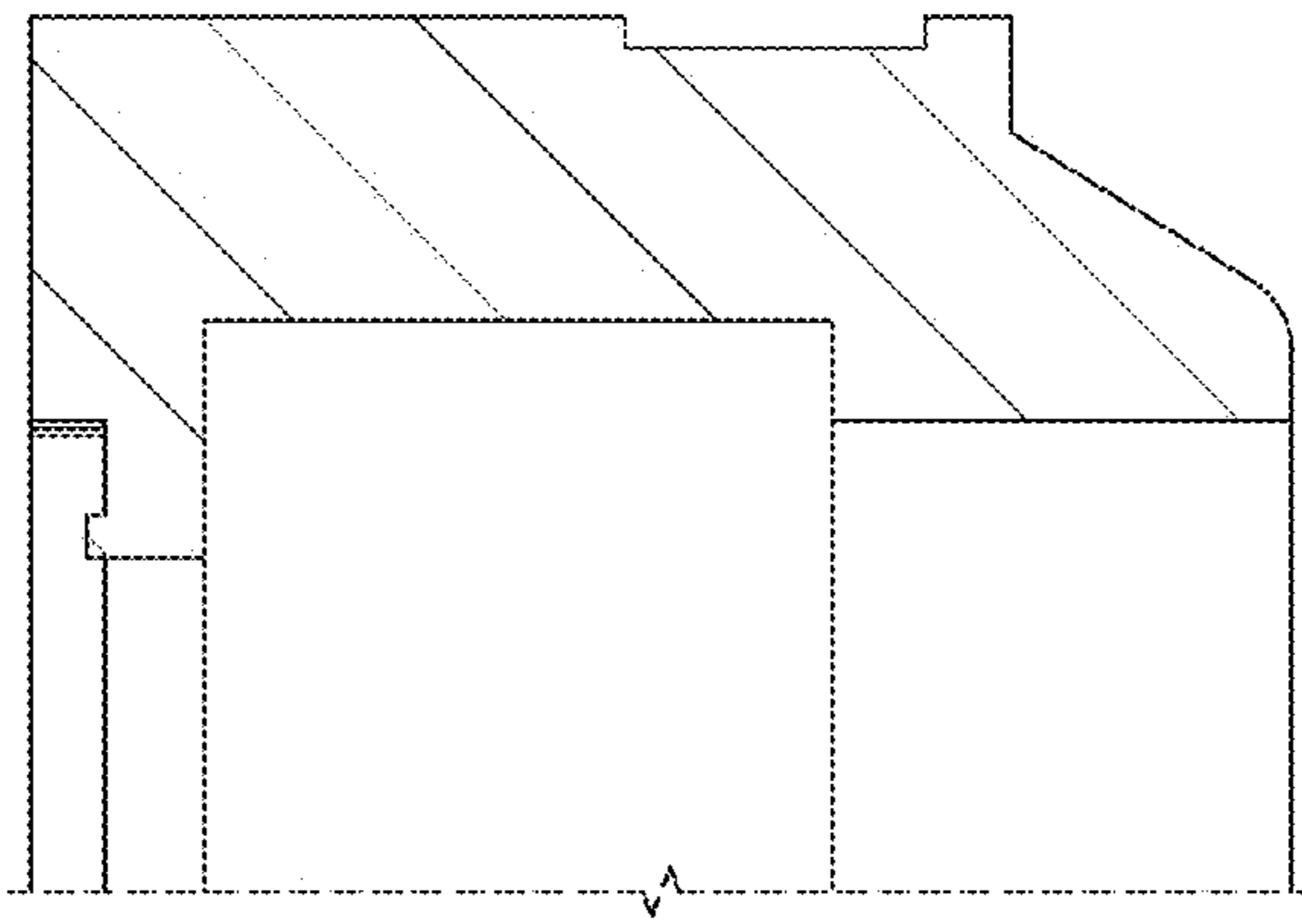
Fig. 7

Fig. 8

Fig. 9

Fig. 10

*Fig. 11*



*Fig. 12*

