



US00D716239S

(12) **United States Design Patent**  
**Lau et al.**

(10) **Patent No.:** **US D716,239 S**  
(45) **Date of Patent:** **\*\* Oct. 28, 2014**

- (54) **UPPER CHAMBER LINER**
- (71) Applicant: **Applied Materials, Inc.**, Santa Clara, CA (US)
- (72) Inventors: **Shu-Kwan Lau**, Sunnyvale, CA (US); **Mehmet Tugrul Samir**, Mountain View, CA (US)
- (73) Assignee: **Applied Materials, Inc.**, Santa Clara, CA (US)
- (\*\*) Term: **14 Years**
- (21) Appl. No.: **29/471,945**
- (22) Filed: **Nov. 6, 2013**
- (51) **LOC (10) Cl.** ..... **13-03**
- (52) **U.S. Cl.**  
USPC ..... **D13/182**
- (58) **Field of Classification Search**  
USPC ..... D13/182; 118/50, 715, 728, 500, 501, 118/504, 428, 722, 505, 506; 156/345.51  
See application file for complete search history.

(56) **References Cited**

**U.S. PATENT DOCUMENTS**

4,340,462	A *	7/1982	Koch	.....	204/298.35
D404,370	S *	1/1999	Kimura	.....	D13/182
D404,372	S *	1/1999	Ishii	.....	D13/182
6,170,429	B1 *	1/2001	Schoepp et al.	.....	118/723 R
6,277,237	B1 *	8/2001	Schoepp et al.	.....	156/345.1
6,884,297	B2 *	4/2005	Park et al.	.....	118/715
7,011,039	B1 *	3/2006	Mohn et al.	.....	118/723 R
7,234,412	B2 *	6/2007	Carpenter et al.	.....	118/723 R
D556,704	S *	12/2007	Nakamura et al.	.....	D13/182
D557,226	S *	12/2007	Uchino et al.	.....	D13/182
D593,969	S *	6/2009	Li	.....	D13/182
D600,221	S *	9/2009	Sato	.....	D13/182
D600,222	S *	9/2009	Sato	.....	D13/182
7,942,969	B2 *	5/2011	Riker et al.	.....	118/715
7,987,814	B2 *	8/2011	Carducci et al.	.....	118/723 R
8,118,938	B2 *	2/2012	Carducci et al.	.....	118/715
D658,691	S *	5/2012	Suzuki et al.	.....	D15/138

D658,692	S *	5/2012	Suzuki et al.	.....	D15/138
D658,693	S *	5/2012	Suzuki et al.	.....	D15/138
8,282,736	B2 *	10/2012	Carducci et al.	.....	118/715
8,313,578	B2 *	11/2012	Carducci et al.	.....	118/715
D678,228	S *	3/2013	Suzuki et al.	.....	D13/199
D699,692	S *	2/2014	Yousif	.....	D13/182
2002/0069970	A1 *	6/2002	Noorbakhsh et al.	....	156/345.37
2005/0229849	A1 *	10/2005	Silvetti et al.	.....	118/715
2008/0041820	A1 *	2/2008	Tong et al.	.....	216/67
2008/0121620	A1 *	5/2008	Guo et al.	.....	216/67

\* cited by examiner

*Primary Examiner* — Elizabeth J Oswecki

(74) *Attorney, Agent, or Firm* — Patterson & Sheridan, LLP

(57) **CLAIM**

The ornamental design for an upper chamber liner, as shown and described.

**DESCRIPTION**

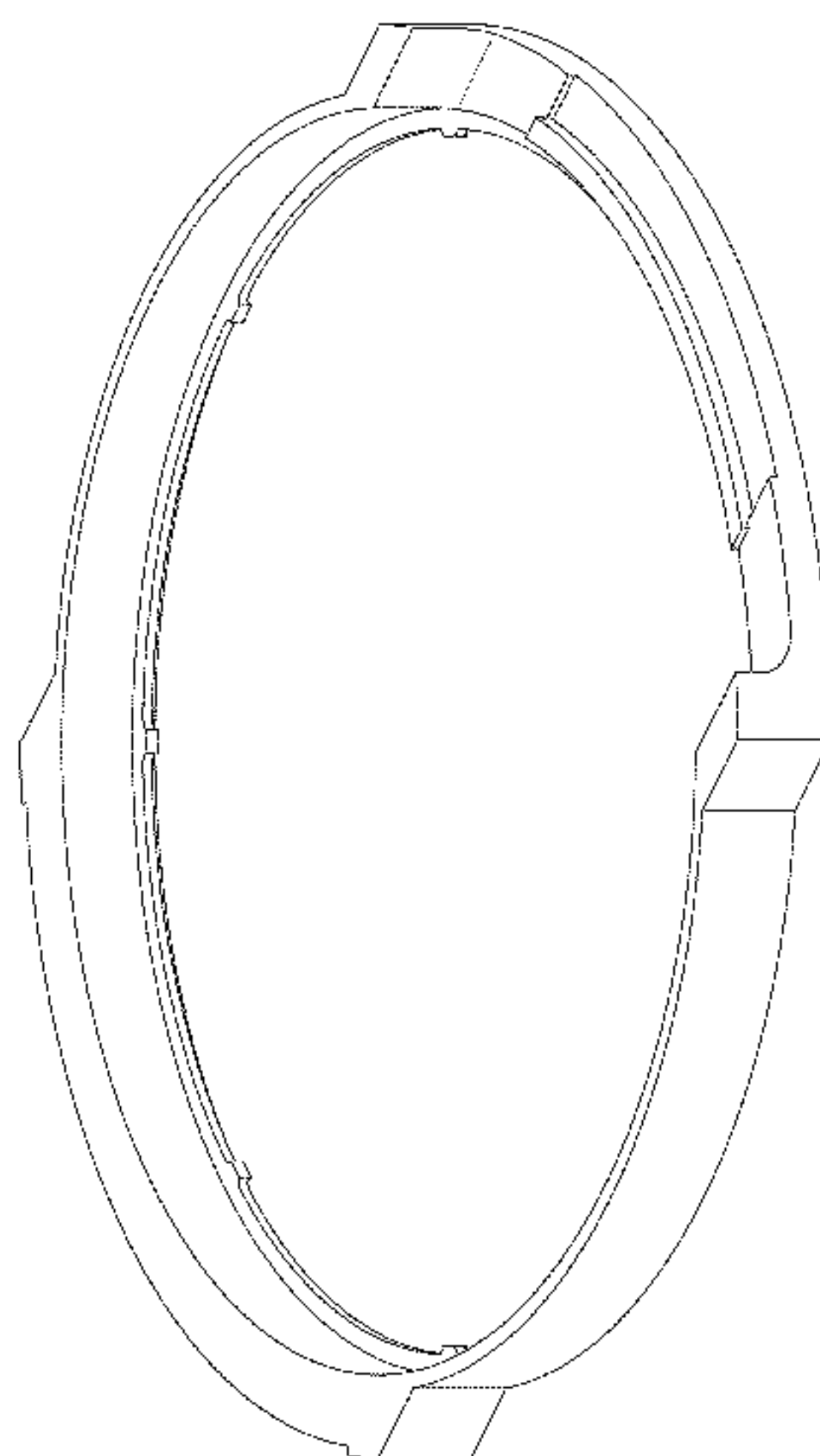
FIG. 1 is a top perspective view of an upper chamber liner showing our new design;  
 FIG. 2 is another perspective view thereof;  
 FIG. 3 is a bottom perspective thereof;  
 FIG. 4 is another perspective view thereof;  
 FIG. 5 is a top plan view thereof;  
 FIG. 6 is a bottom plan view thereof;  
 FIG. 7 is a side view thereof;  
 FIG. 8 is another side view thereof;  
 FIG. 9 is another side view thereof;  
 FIG. 10 is a cross sectional view taken along line 10-10 in FIG. 5;  
 FIG. 11 is an enlarged portion view taken along lines 11-11 in FIG. 10; and,  
 FIG. 12 is an enlarged portion view taken along lines 12-12 in FIG. 10.

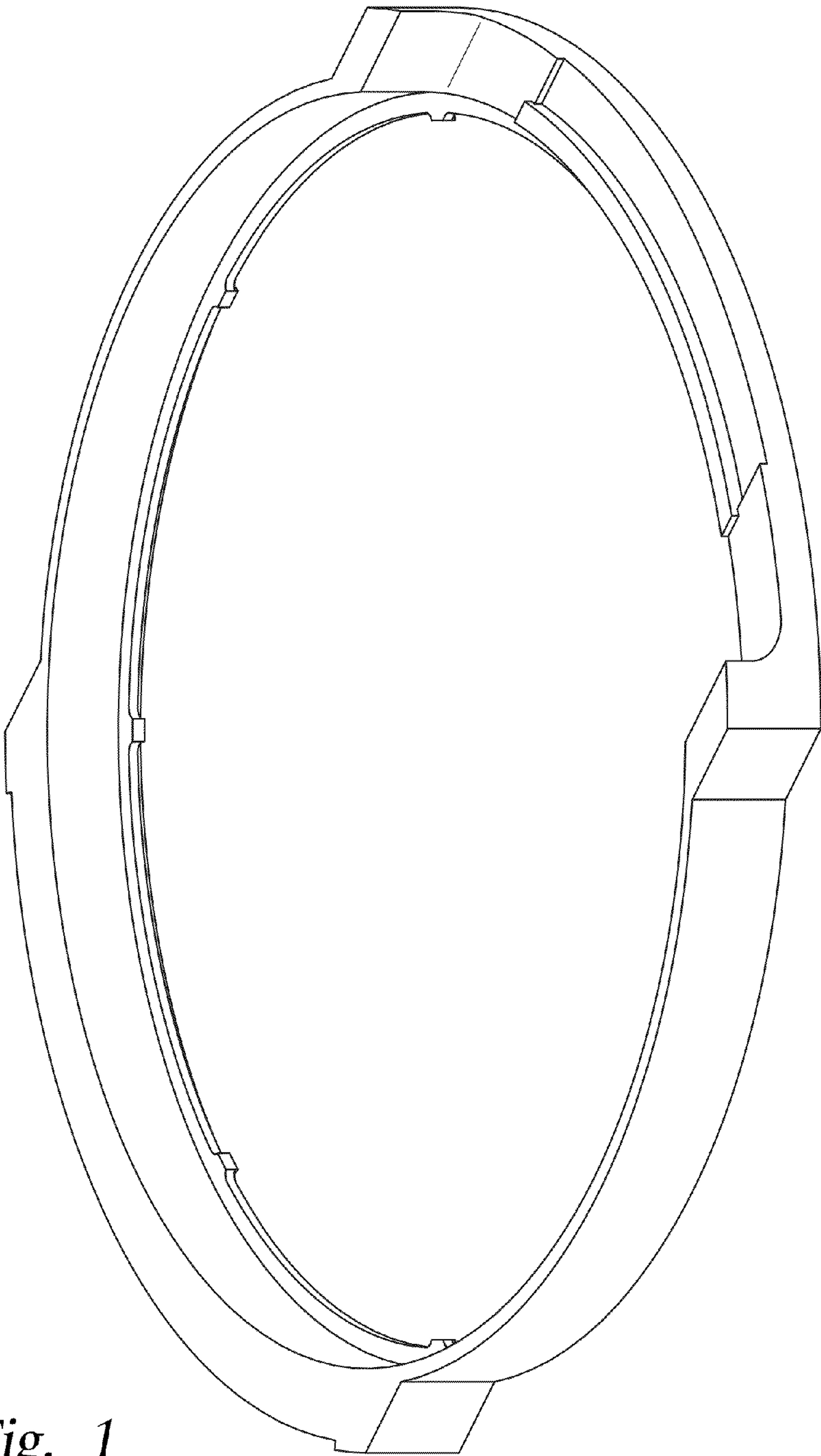
The broken lines in the figures form no part of the claimed design.

The upper chamber liner is shown broken away in FIGS. 11 and 12 to indicate that no particular length is claimed.

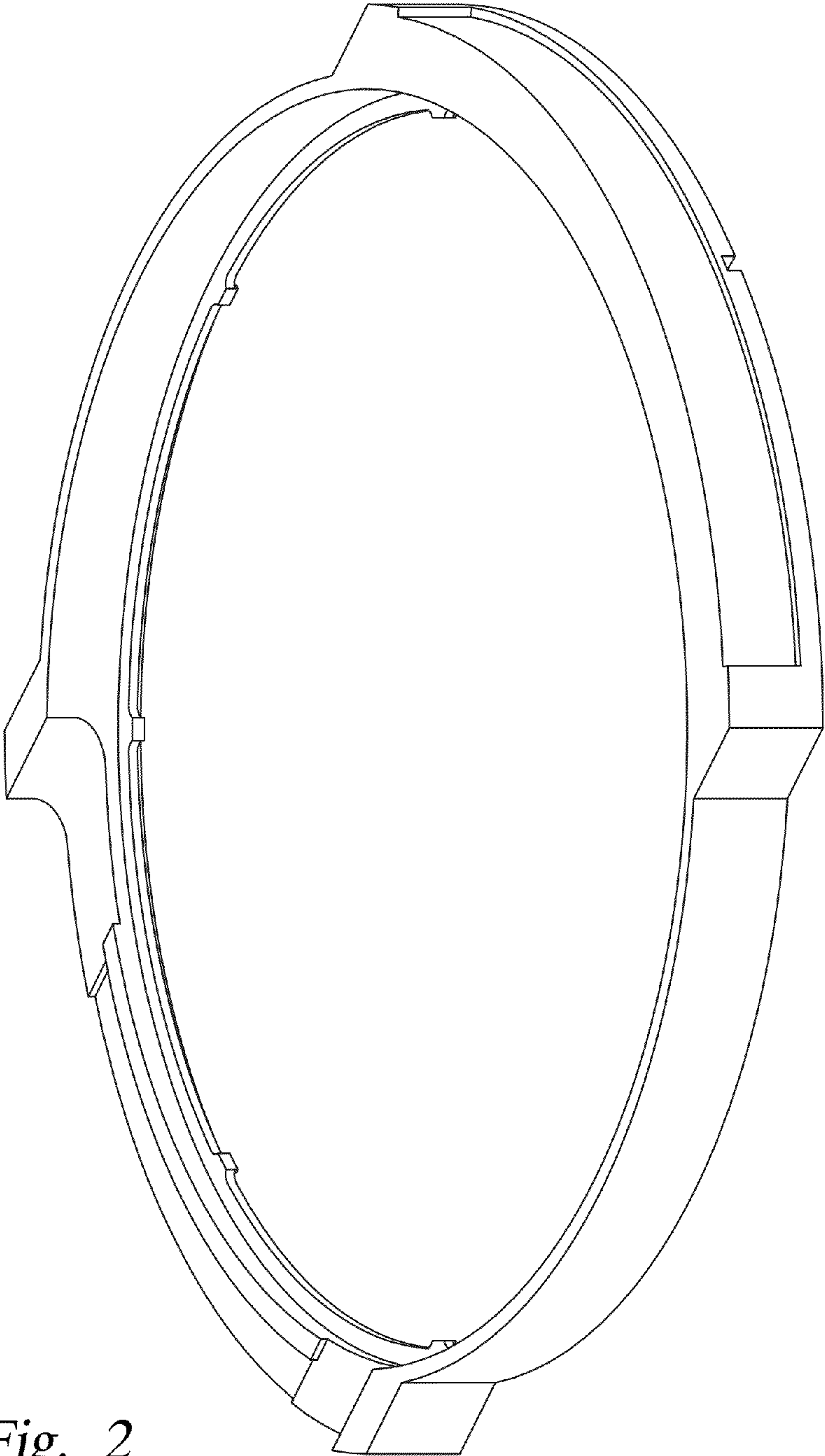
All surfaces not shown, form no part of the claimed design.

**1 Claim, 8 Drawing Sheets**

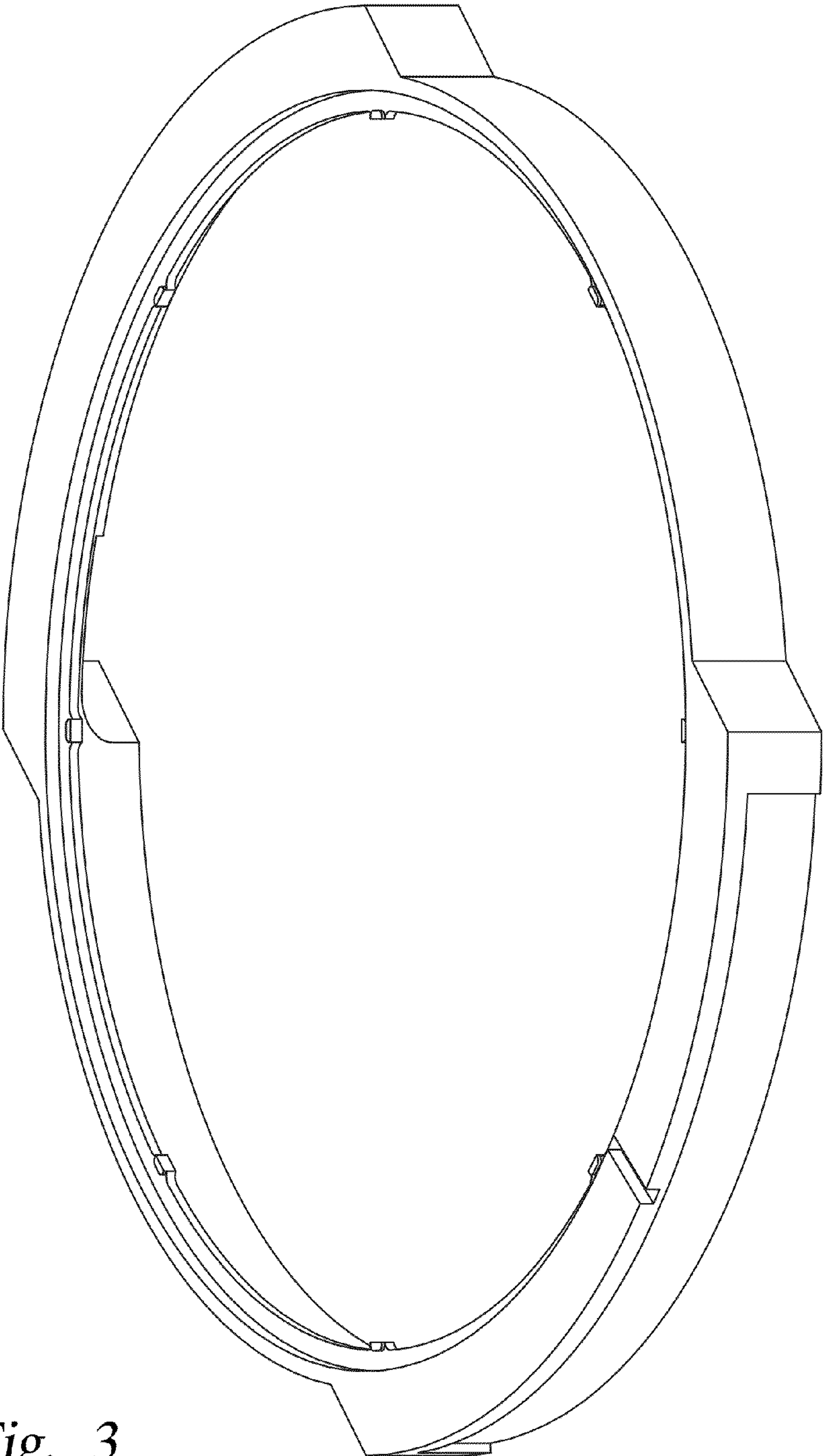




*Fig. 1*

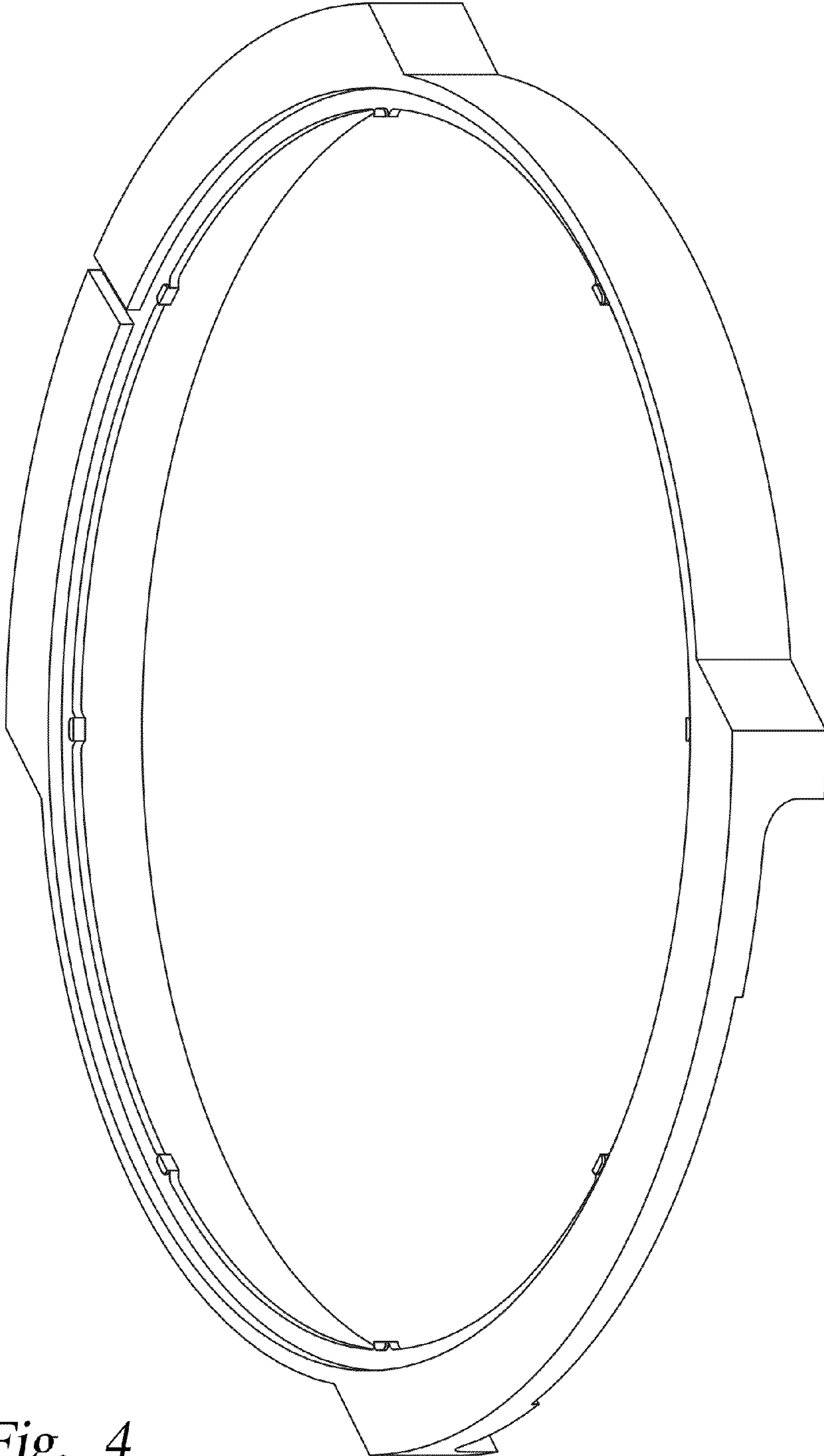


*Fig. 2*

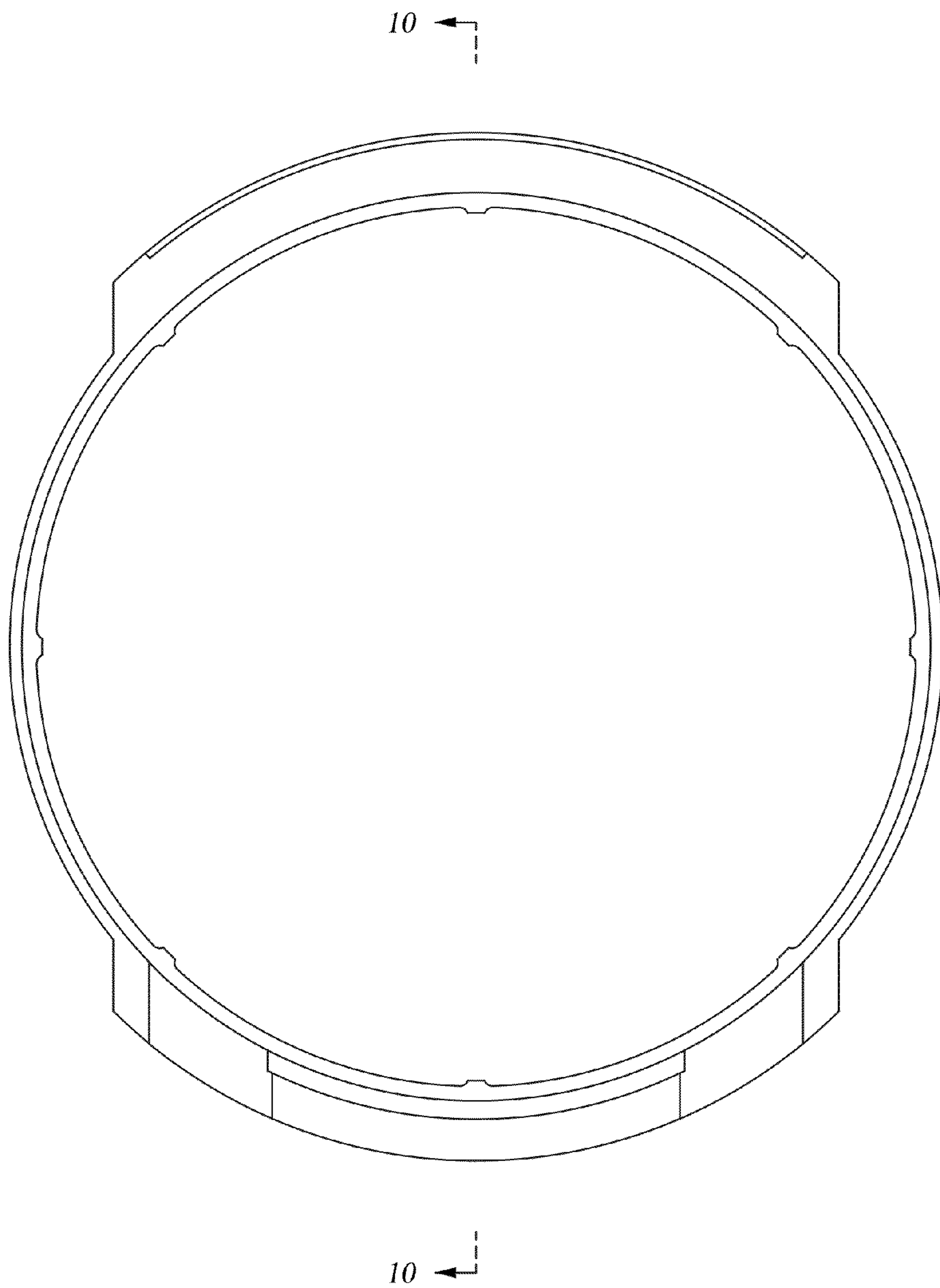


*Fig. 3*

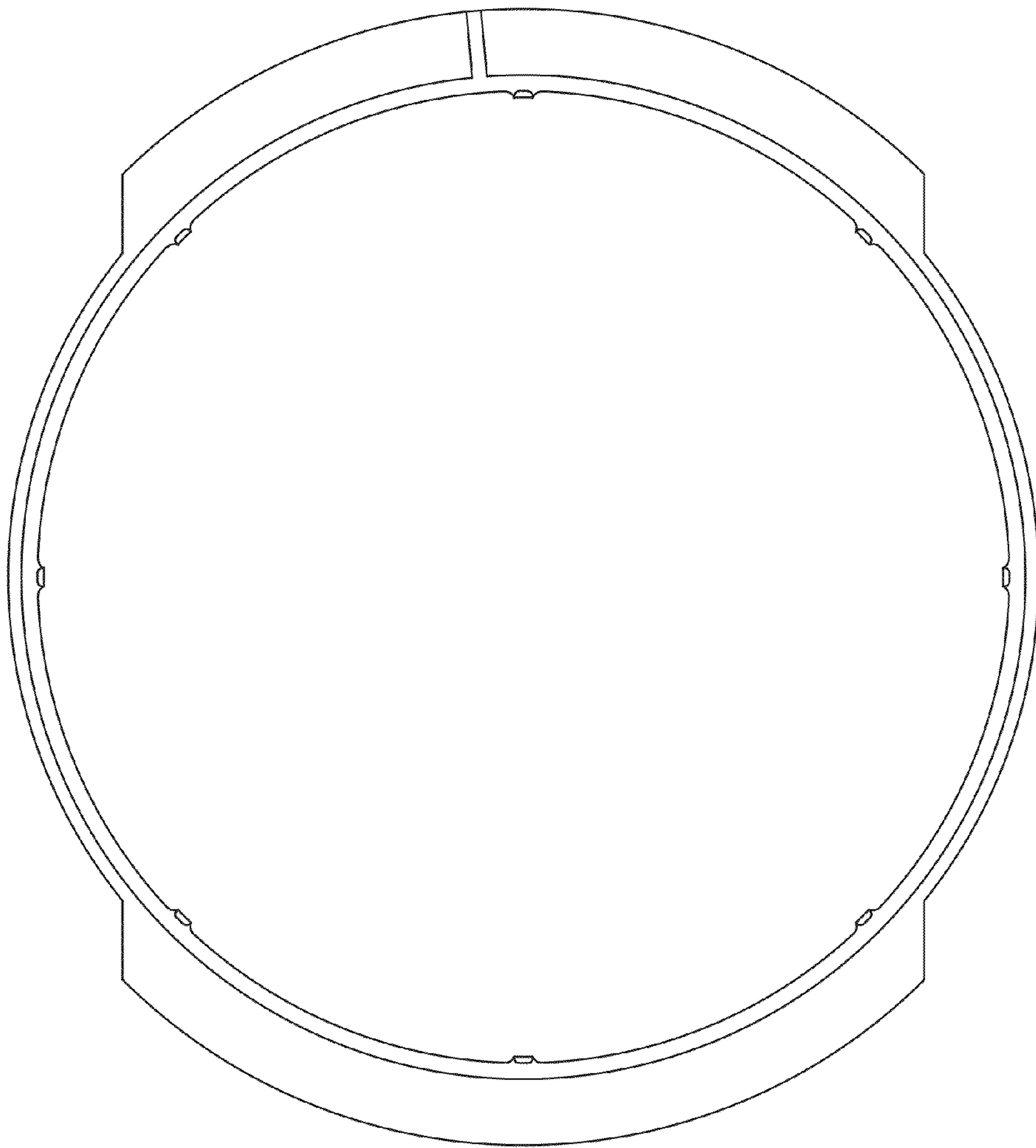




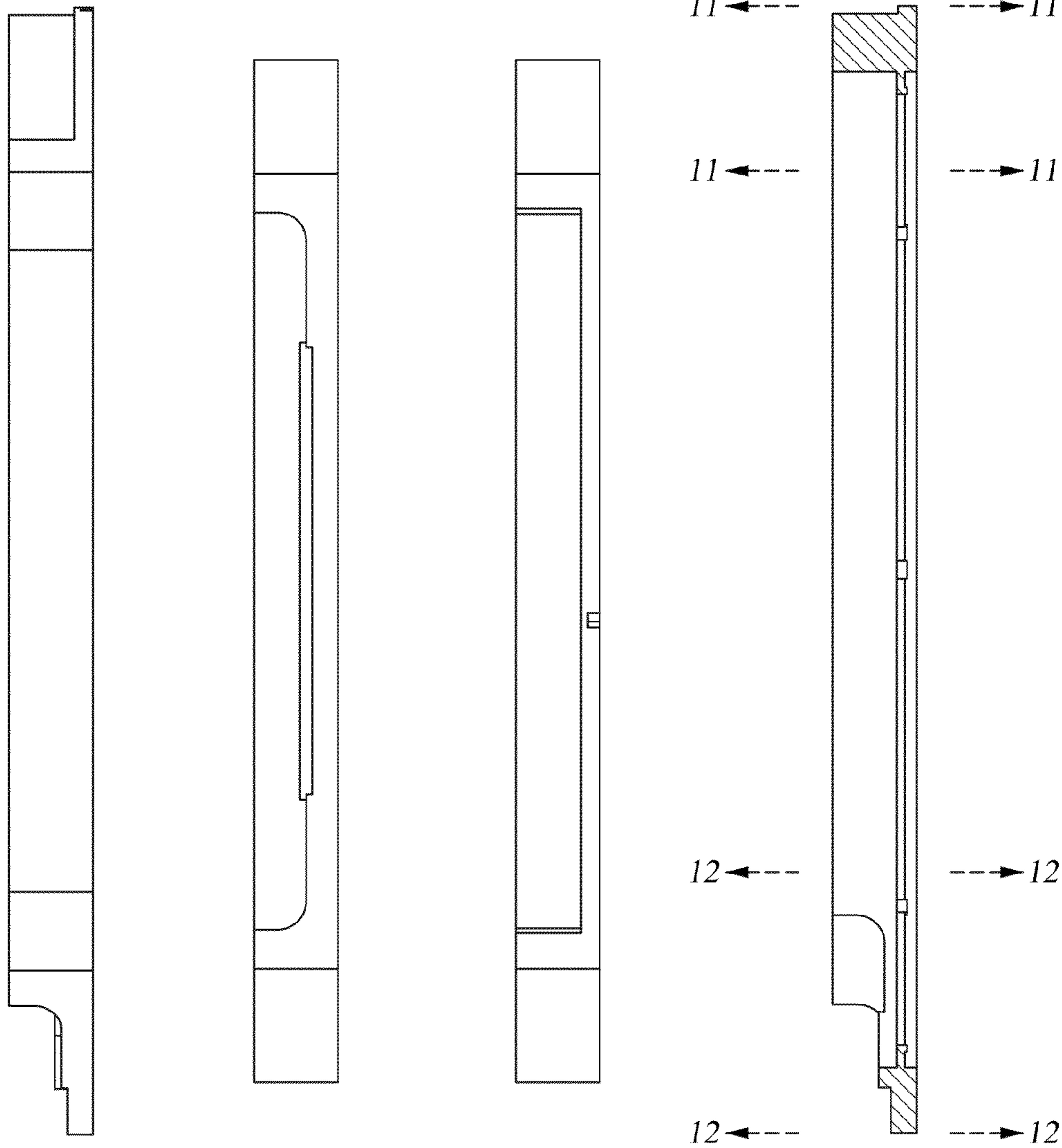
*Fig. 4*



*Fig. 5*



*Fig. 6*



*Fig. 7*

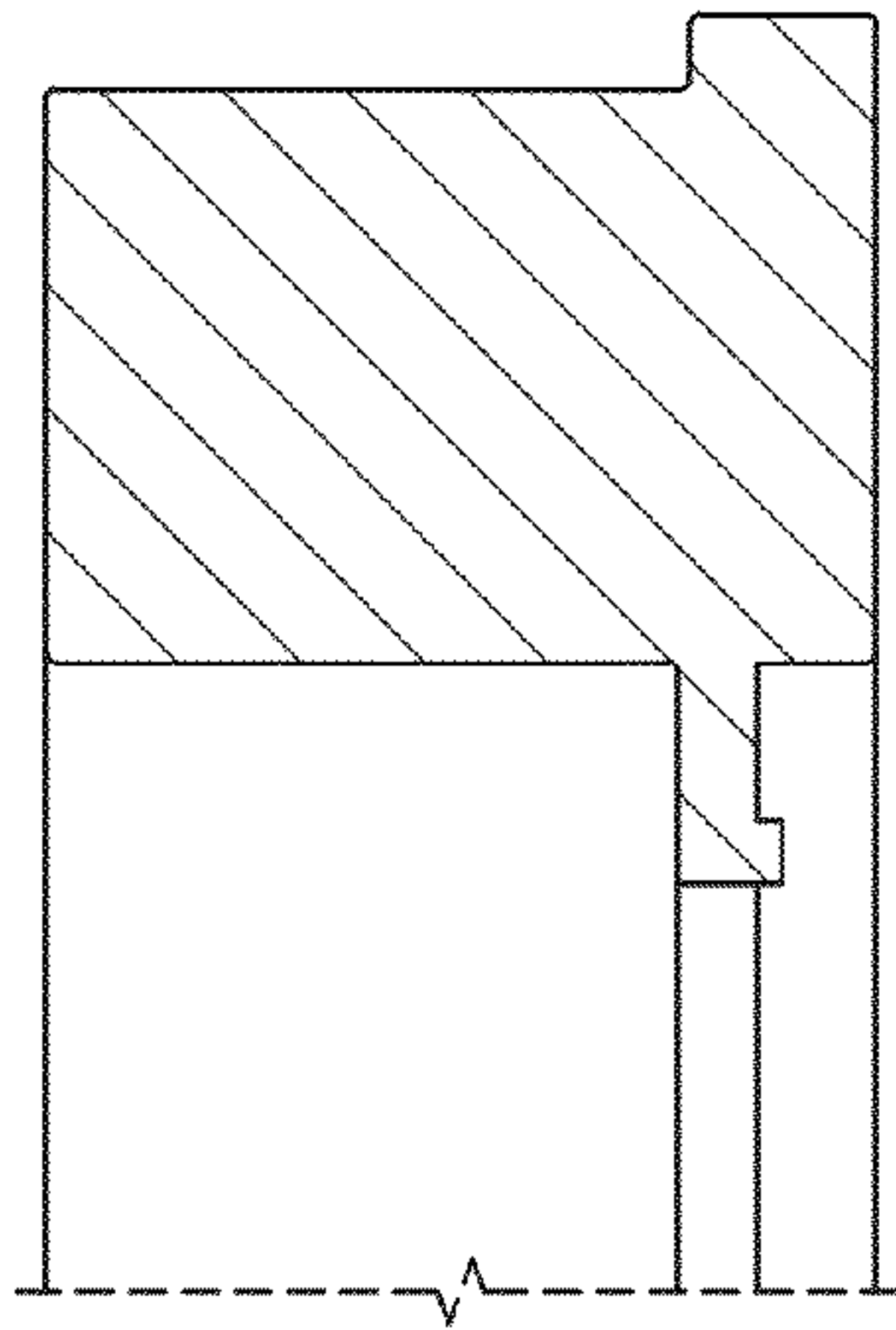
*Fig. 8*

*Fig. 9*

*Fig. 10*



*Fig. 11*



*Fig. 12*

