



US00D716238S

(12) **United States Design Patent**
Yeh et al.

(10) **Patent No.:** **US D716,238 S**
(45) **Date of Patent:** **** Oct. 28, 2014**

(54) **LIGHT-EMITTING DIODE ARRAY**

(56) **References Cited**

(71) Applicant: **Epistar Corporation**, Hsinchu (TW)

U.S. PATENT DOCUMENTS

(72) Inventors: **Hui-chun Yeh**, Hsinchu (TW);
Chien-Fu Shen, Hsinchu (TW);
Tsun-Kai Ko, Hsinchu (TW)

D566,057	S	*	4/2008	Edmond et al.	D13/180
D579,019	S	*	10/2008	Lei et al.	D14/435
D638,377	S	*	5/2011	Yan et al.	D13/180
7,947,996	B2	*	5/2011	Sakamoto et al.	257/98
D648,287	S	*	11/2011	Hsu et al.	D13/180
8,120,057	B2	*	2/2012	Sano et al.	257/99
8,188,504	B2	*	5/2012	Lee	257/99
8,188,505	B2	*	5/2012	Shen et al.	257/99
D681,569	S	*	5/2013	Yeh et al.	D13/180
D684,550	S	*	6/2013	Yeh et al.	D13/180
D687,396	S	*	8/2013	Chen et al.	D13/180
D697,490	S	*	1/2014	Yeh et al.	D13/180
2006/0163604	A1	*	7/2006	Shin et al.	257/103
2007/0085089	A1	*	4/2007	Hsu	257/81
2012/0241808	A1	*	9/2012	Akiyama et al.	257/99

(73) Assignee: **Epistar Corporation**, Hsinchu (TW)

(**) Term: **14 Years**

(21) Appl. No.: **29/453,527**

(22) Filed: **Apr. 30, 2013**

* cited by examiner

(30) **Foreign Application Priority Data**

Dec. 31, 2012 (CN) 2012 3 0660303

Primary Examiner — Selina Sikder

(51) **LOC (10) Cl.** **13-03**

(74) *Attorney, Agent, or Firm* — Muncy, Geissler, Olds & Lowe, P.C.

(52) **U.S. Cl.**
USPC **D13/180**

(57) **CLAIM**

The ornamental design for a light-emitting diode array, as shown and described.

(58) **Field of Classification Search**

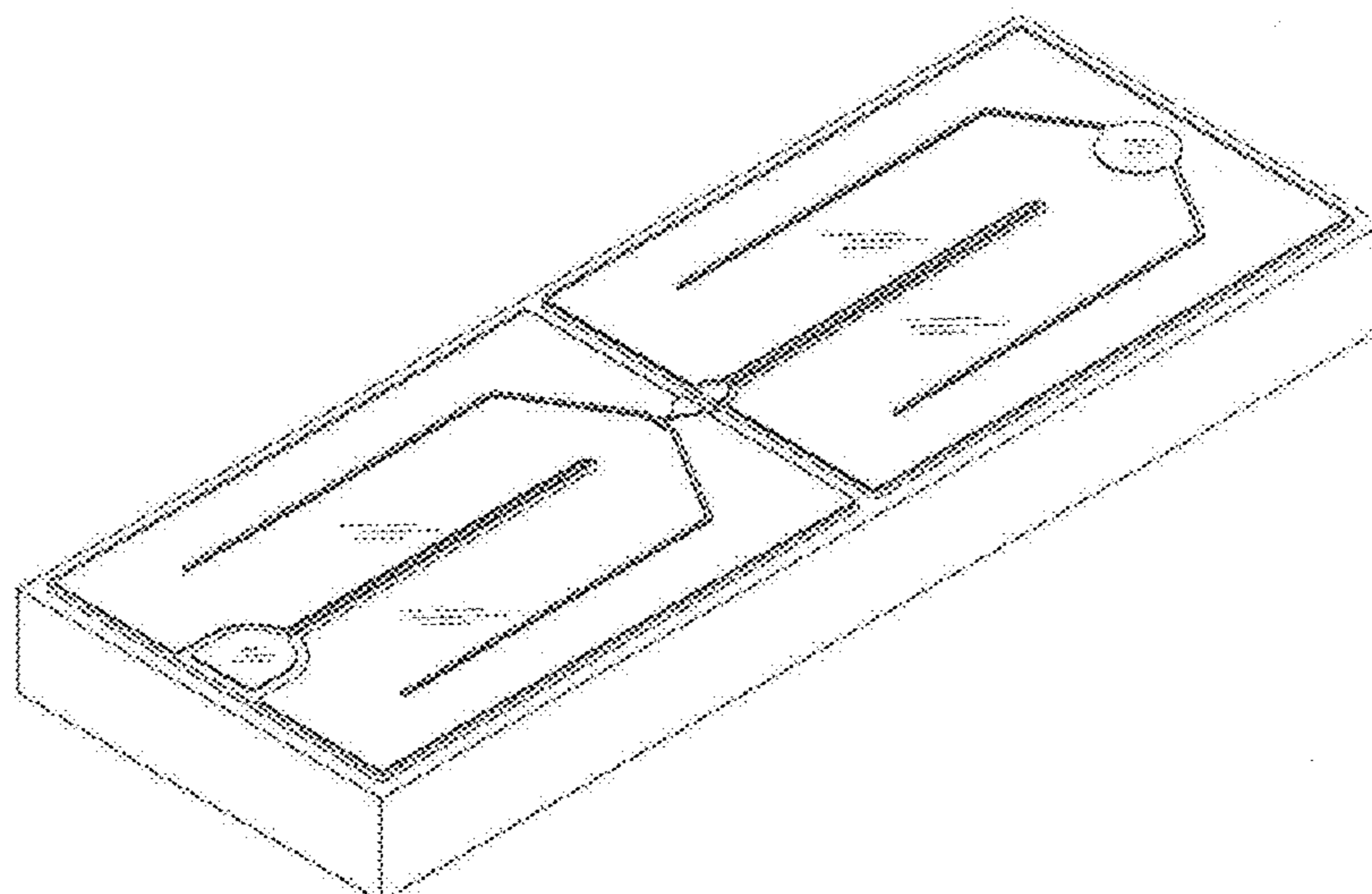
DESCRIPTION

CPC ... H01L 25/167; H01L 25/0753; H01L 27/15;
H01L 27/156; H01L 31/02; H01L 33/00;
H01L 33/04; H01L 33/08; H01L 33/10;
H01L 33/20; H01L 33/38; H01L 33/42;
H01L 33/4862; H01L 33/483; H01L 33/486
USPC D13/180; D26/1; 257/79, 80, 81, 88,
257/89, 95, 98, 99, 100, E33.058; 313/483,
313/498, 500; 362/555, 800

FIG. 1 is a perspective view of a light-emitting diode array showing our new design;
FIG. 2 is another perspective view thereof;
FIG. 3 is a front elevational view thereof;
FIG. 4 is a rear elevational view thereof;
FIG. 5 is a left side view thereof;
FIG. 6 is a right side view thereof;
FIG. 7 is a top plan view thereof; and,
FIG. 8 is a bottom plan view thereof.

See application file for complete search history.

1 Claim, 6 Drawing Sheets



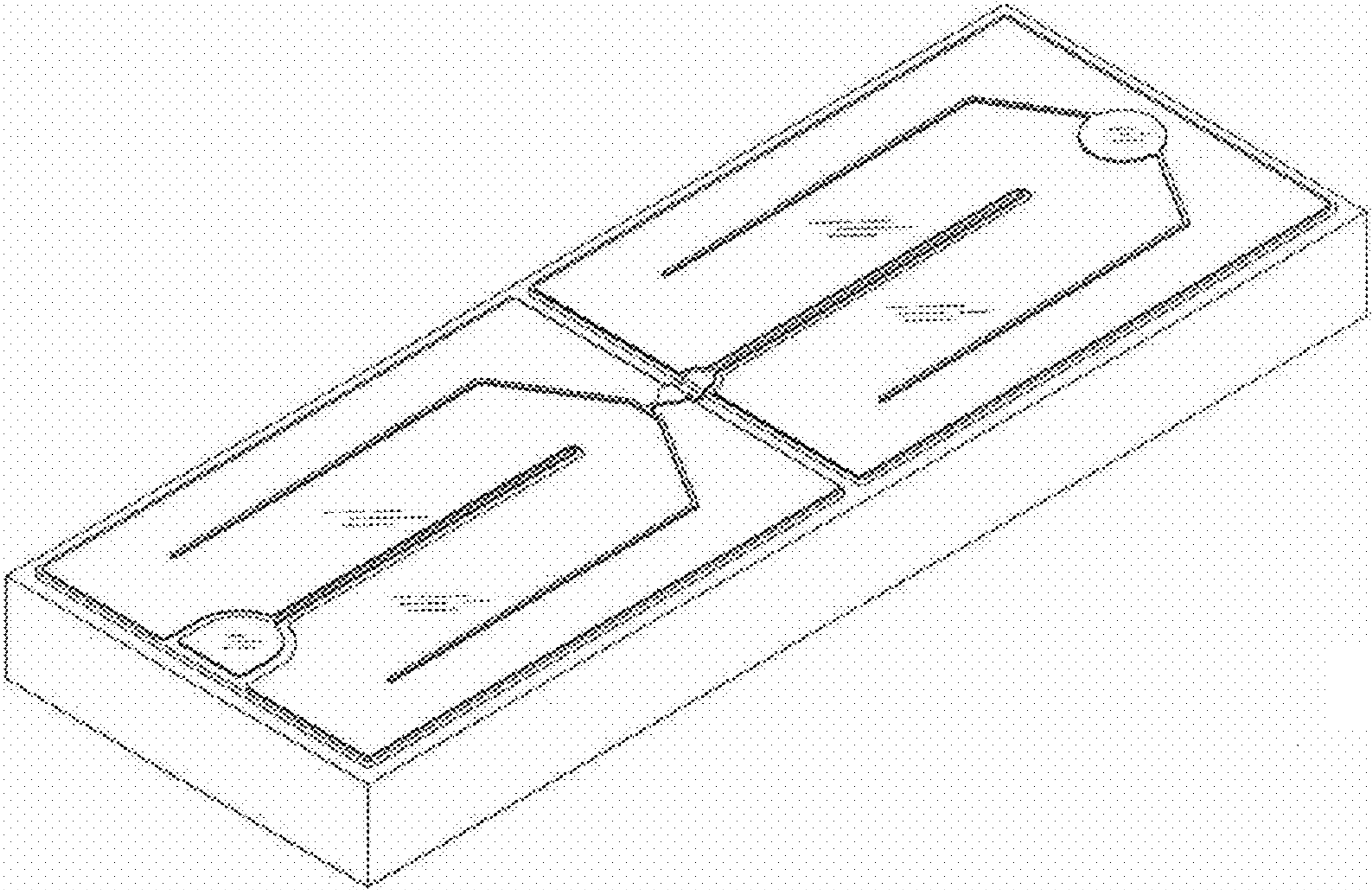


FIG.1

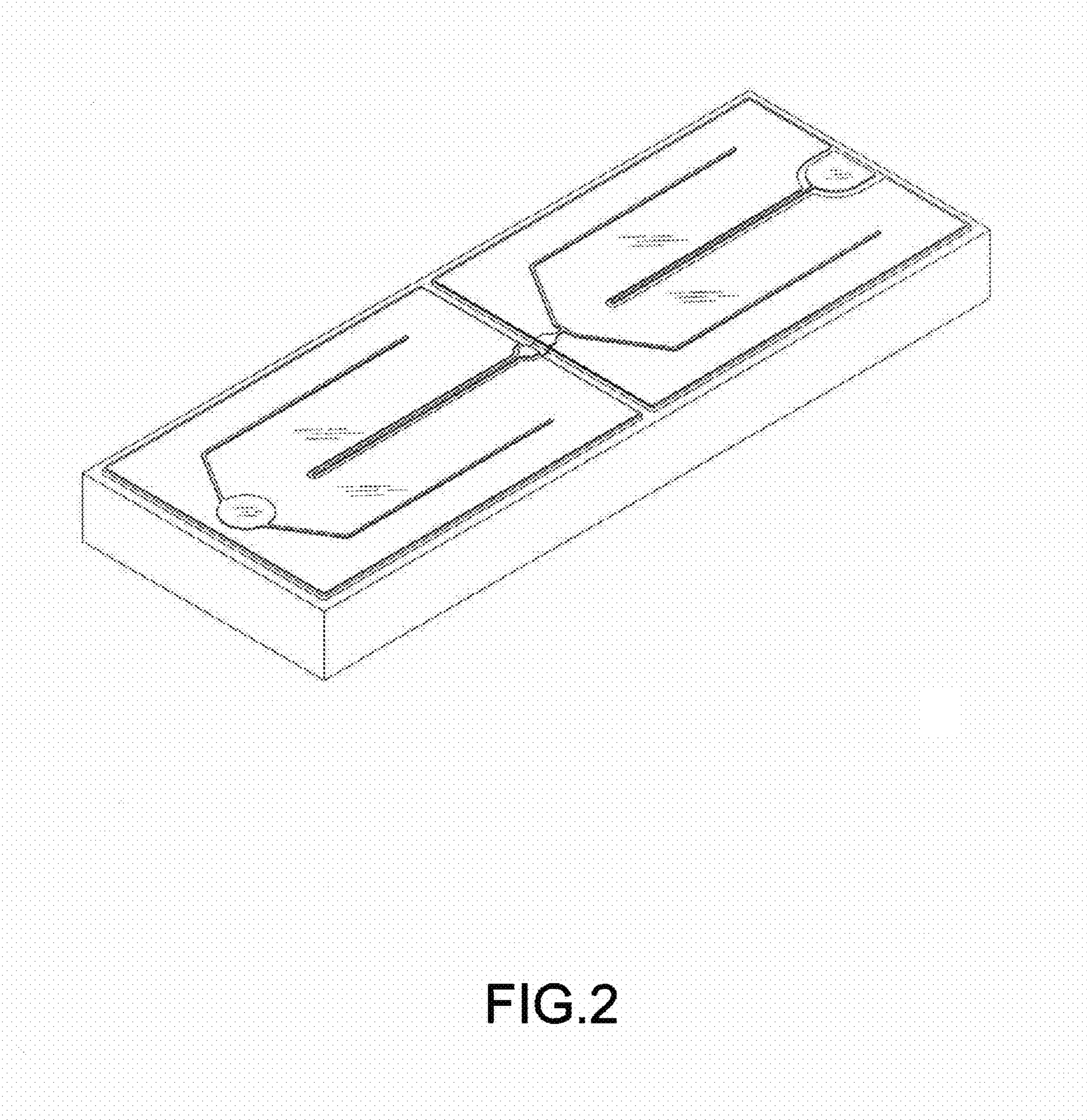


FIG.2

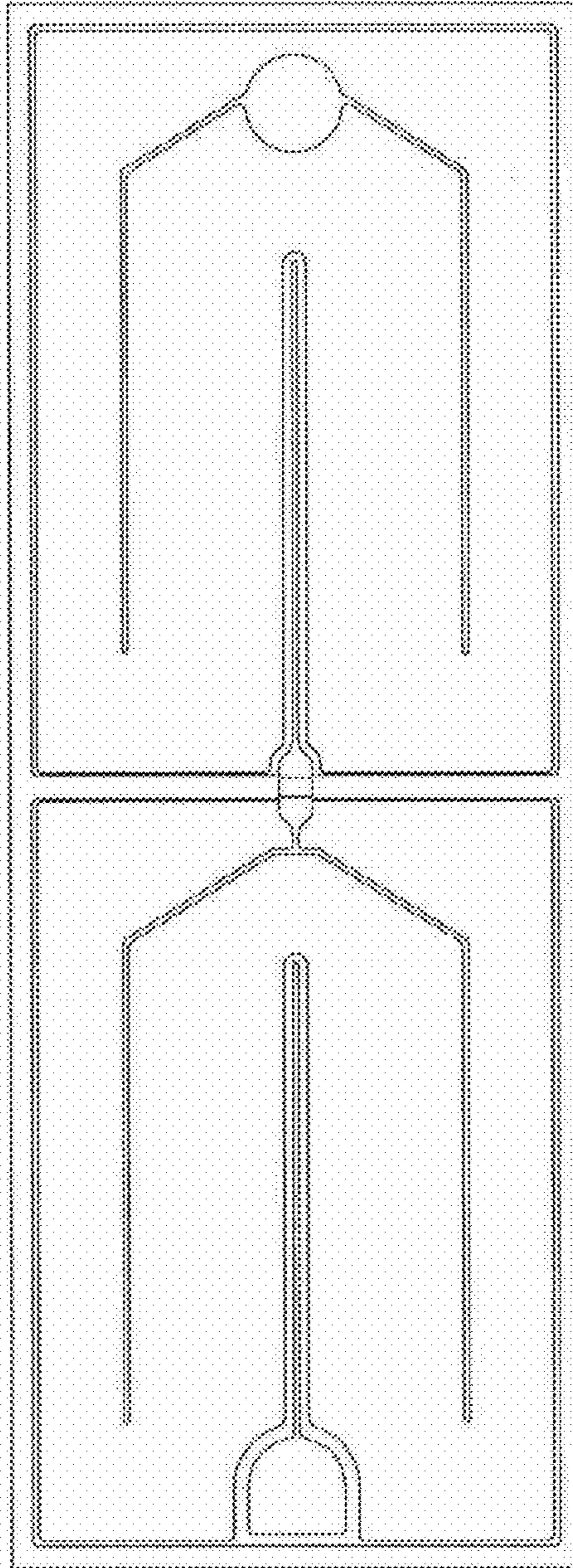


FIG.3

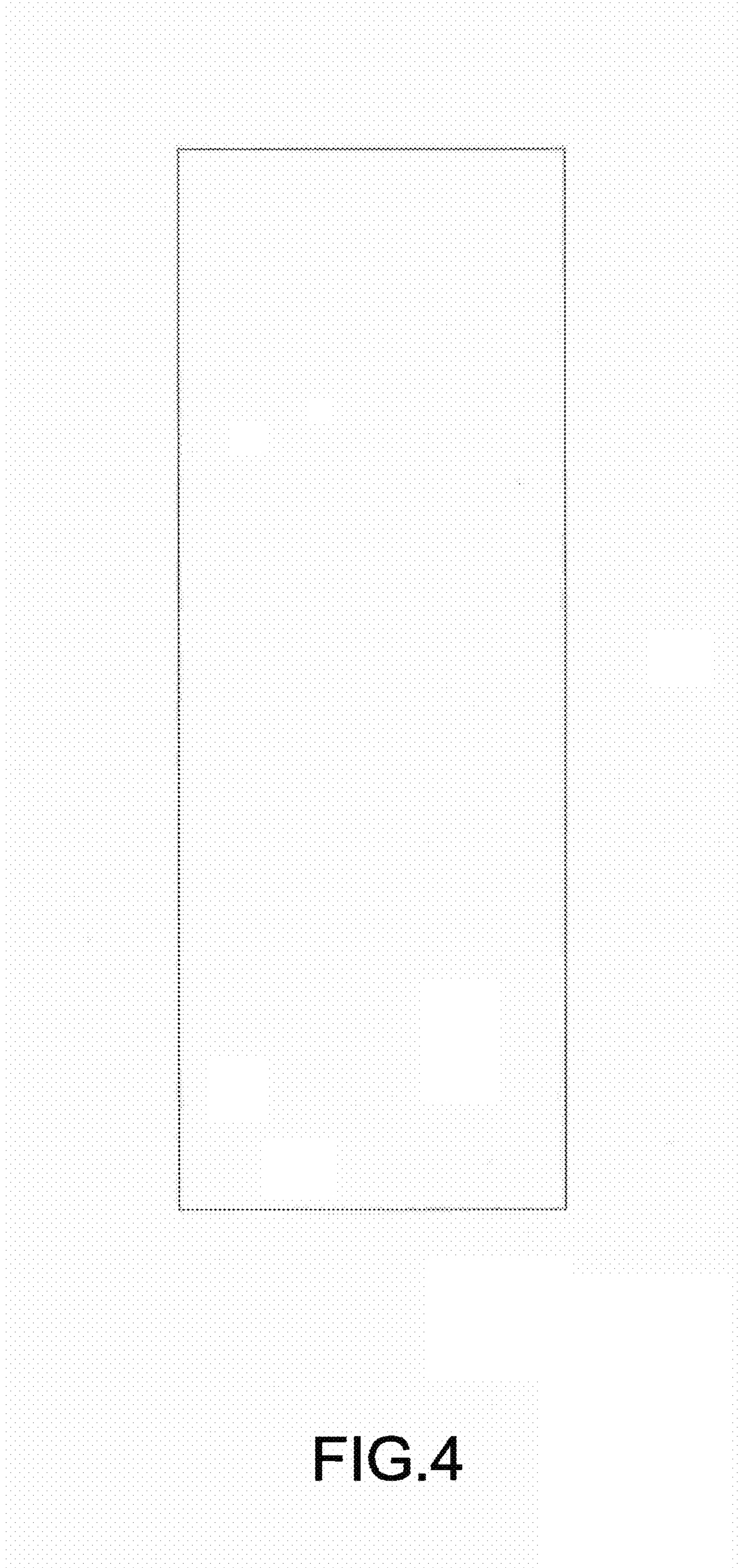


FIG.4

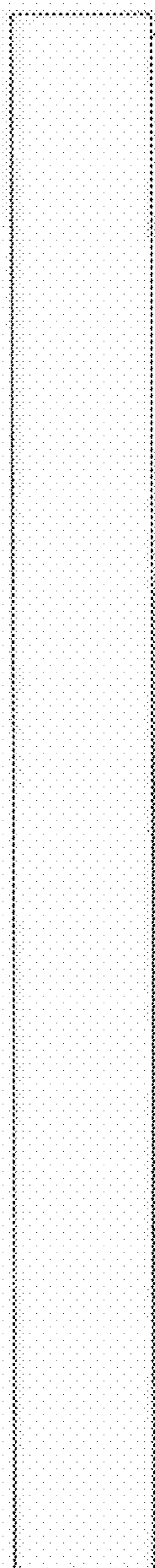


FIG. 5

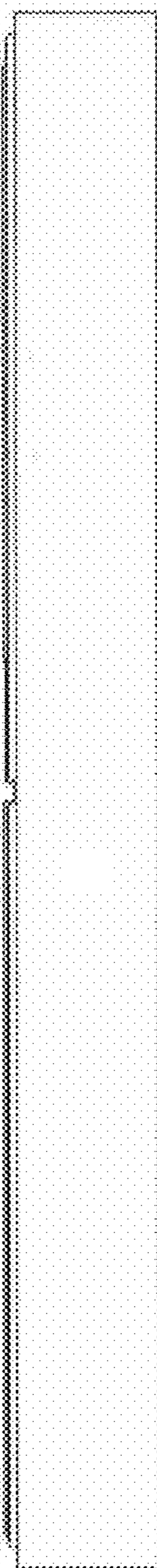


FIG. 6

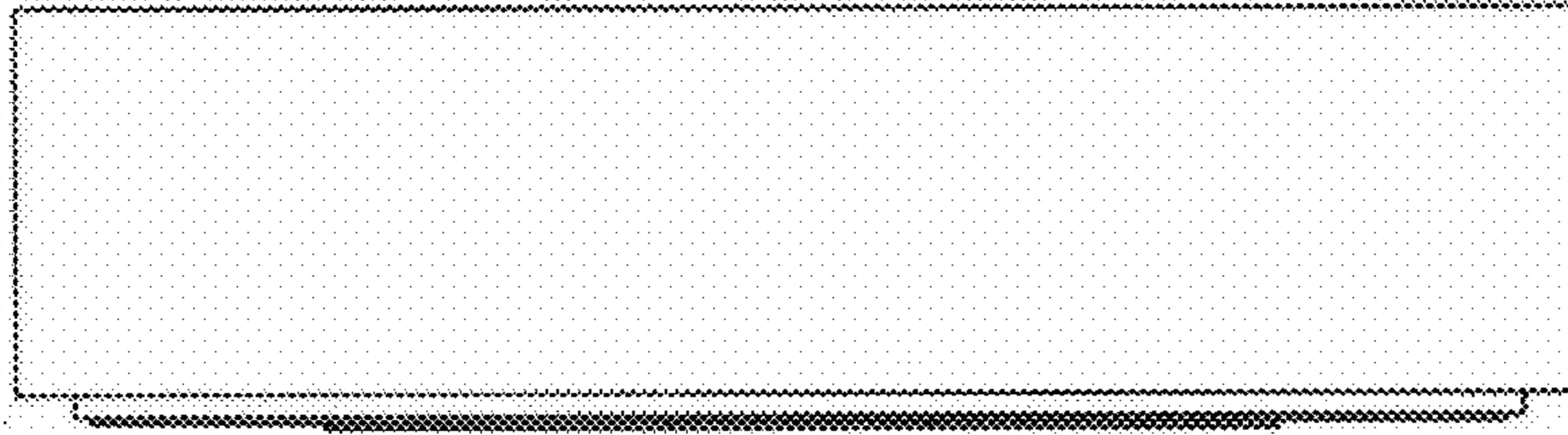


FIG. 7

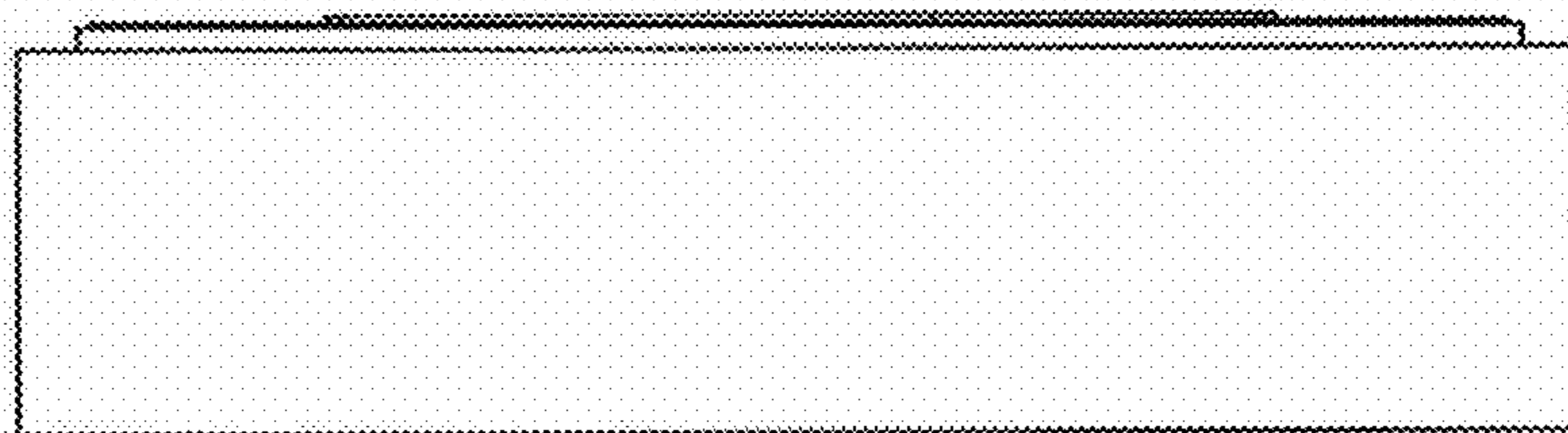


FIG. 8