



US00D716237S

(12) **United States Design Patent**
Baldwin et al.

(10) **Patent No.:** **US D716,237 S**
(45) **Date of Patent:** **** Oct. 28, 2014**

(54) **CORD ENTRY**

(71) Applicants: **Jeffrey Baldwin**, Desert Hills, AZ (US);
John Klein, Gilbert, AZ (US); **Ryan Liebengood**, Gilbert, AZ (US)

(72) Inventors: **Jeffrey Baldwin**, Desert Hills, AZ (US);
John Klein, Gilbert, AZ (US); **Ryan Liebengood**, Gilbert, AZ (US)

(**) Term: **14 Years**

(21) Appl. No.: **29/489,870**

(22) Filed: **May 3, 2014**

(51) **LOC (10) Cl.** **13-03**

(52) **U.S. Cl.**
USPC **D13/155**

(58) **Field of Classification Search**
USPC D13/155, 129, 131, 132, 133, 153, 154,
D13/156, 157, 184, 199; D8/354, 356, 366,
D8/380, 396; 138/106, 107, 112, 113, 116,
138/117, 155–158, 166–169, 174; 174/5 R,
174/38, 68.1, 68.2, 68.3, 101, 135, 136, 504
See application file for complete search history.

(56) **References Cited**

U.S. PATENT DOCUMENTS

3,786,171	A *	1/1974	Shira	174/504
D251,779	S *	5/1979	Wolff et al.	D13/155
D371,343	S *	7/1996	Loftus	D13/155
6,191,363	B1 *	2/2001	Samuels	174/68.3
6,239,357	B1 *	5/2001	Mabry et al.	174/5 R
D473,522	S *	4/2003	Dyer et al.	D13/155
D498,211	S	11/2004	Thibault	
D499,699	S *	12/2004	Thibault	D13/155

D503,968	S	4/2005	Ruddick
D503,969	S	4/2005	Ruddick
D504,938	S	5/2005	Ruddick
D539,752	S	4/2007	Ruddick
D541,143	S	4/2007	Ruddick
7,696,434	B2	4/2010	Ruddick
D669,035	S	10/2012	Ruddick
D671,502	S	11/2012	Ruddick
D683,318	S	5/2013	Ruddick

* cited by examiner

Primary Examiner — Derrick Holland

(74) *Attorney, Agent, or Firm* — Ryan Liebengood

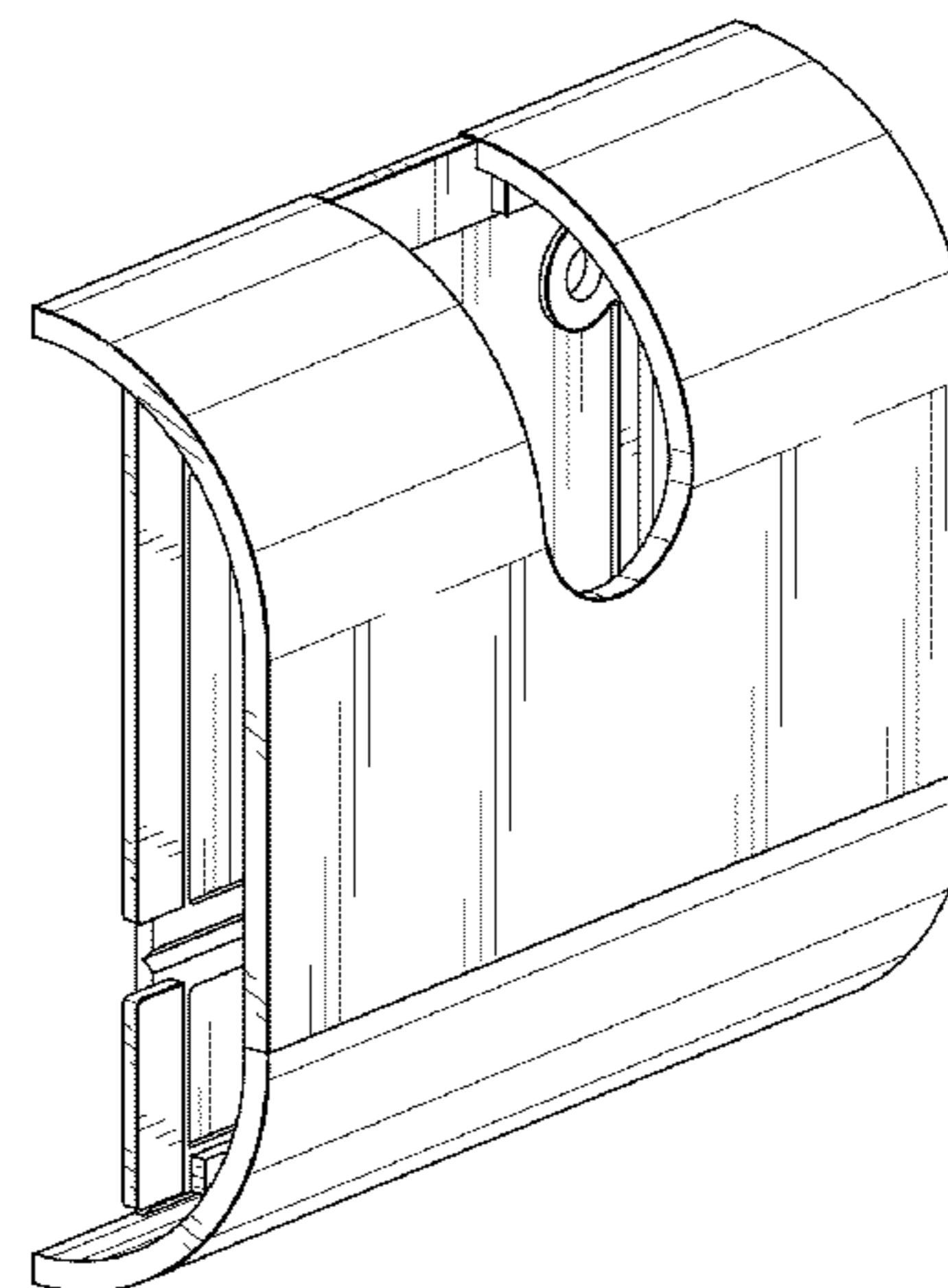
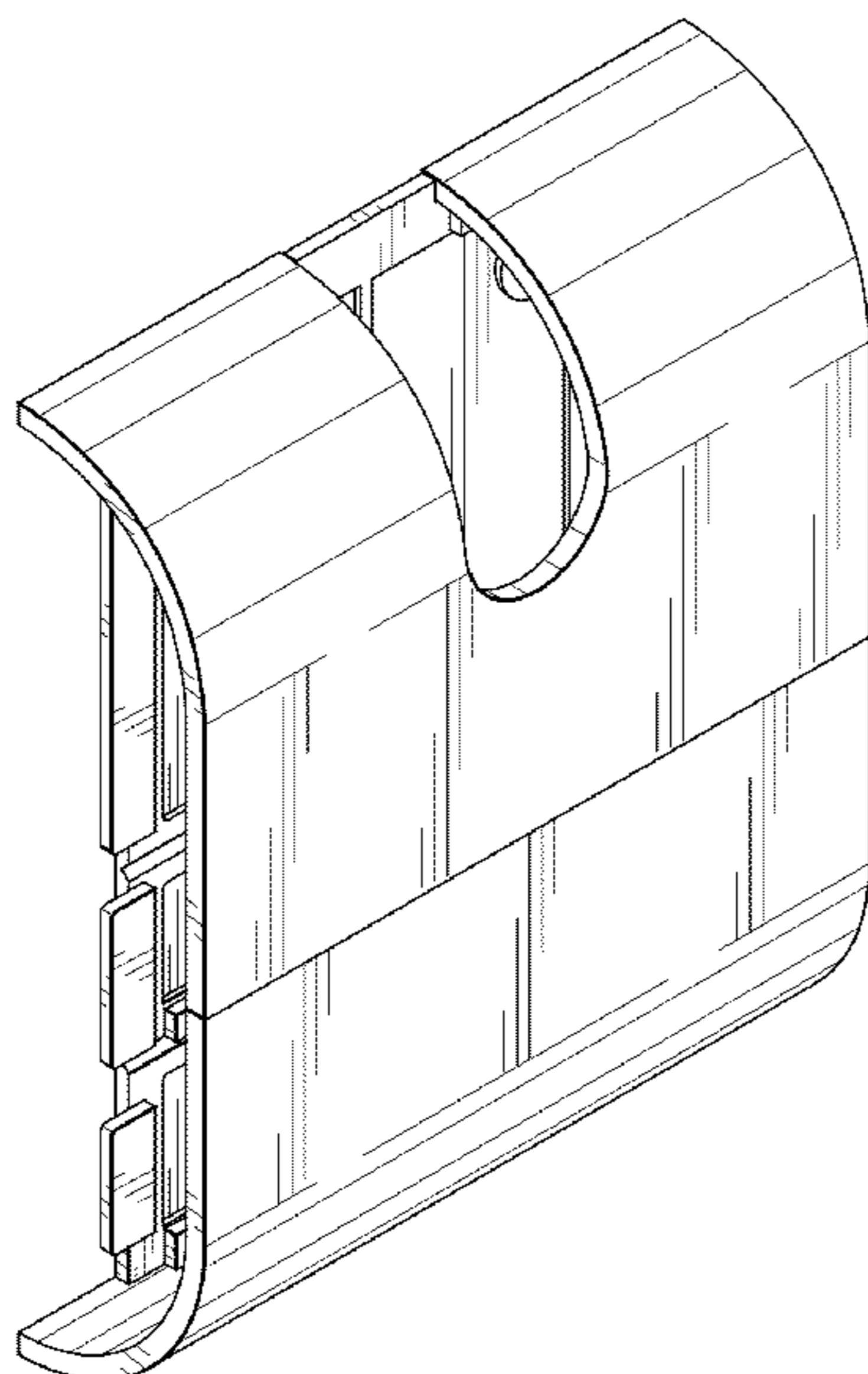
(57) **CLAIM**

We claim the ornamental design for a cord entry, as shown and described.

DESCRIPTION

FIG. 1 is a perspective view of a first embodiment of a cord entry showing our new design;
FIG. 2 is an end view thereof;
FIG. 3 is a front elevational view thereof;
FIG. 4 is a rear elevational view thereof;
FIG. 5 is a top plan view thereof;
FIG. 6 is a bottom plan view thereof;
FIG. 7 is a perspective view of a second embodiment of a cord entry showing our new design;
FIG. 8 is an end view thereof;
FIG. 9 is a front elevational view thereof;
FIG. 10 is a rear elevational view thereof;
FIG. 11 is a top plan view thereof; and,
FIG. 12 is a bottom plan view thereof.

1 Claim, 6 Drawing Sheets



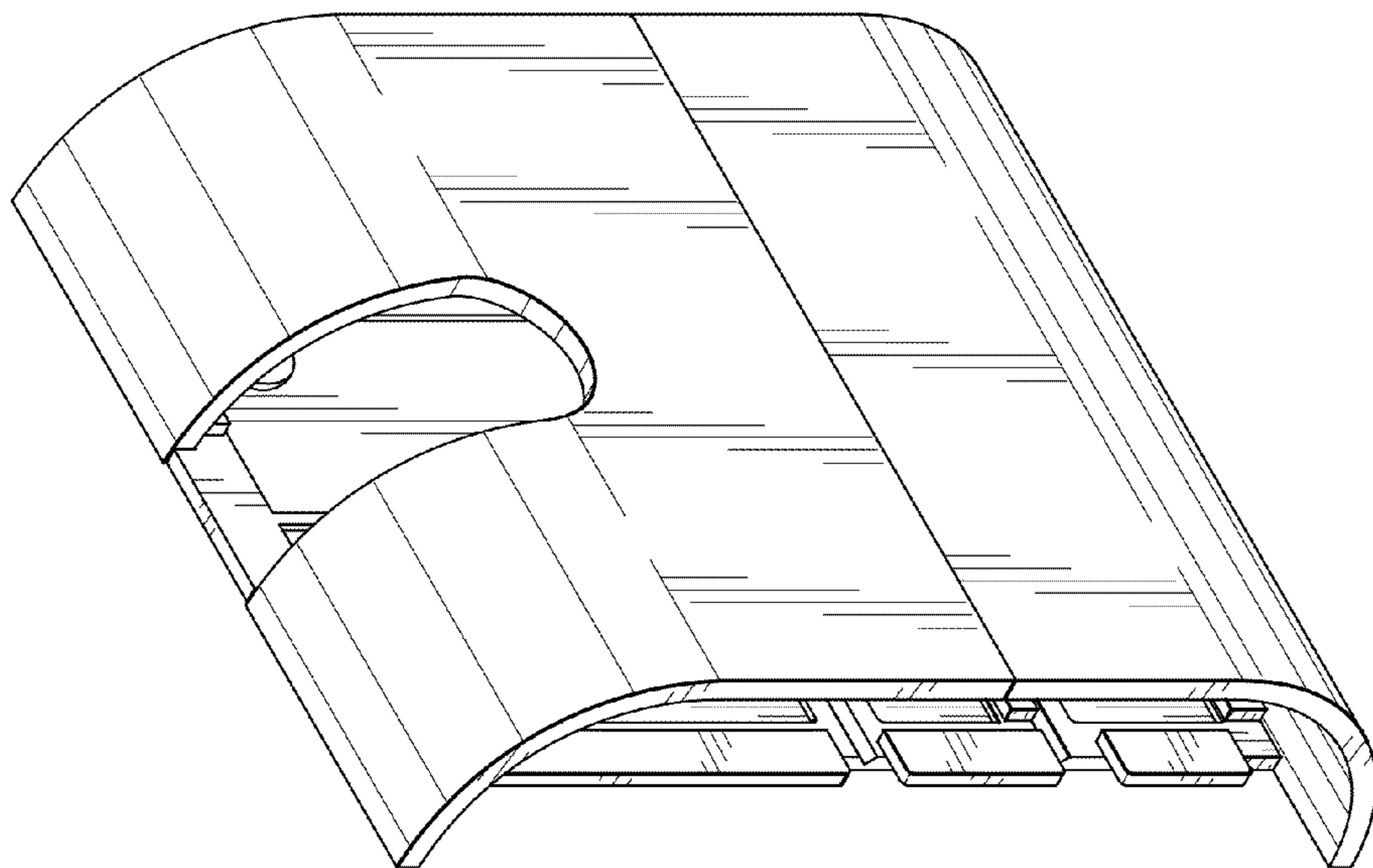


FIG. 1

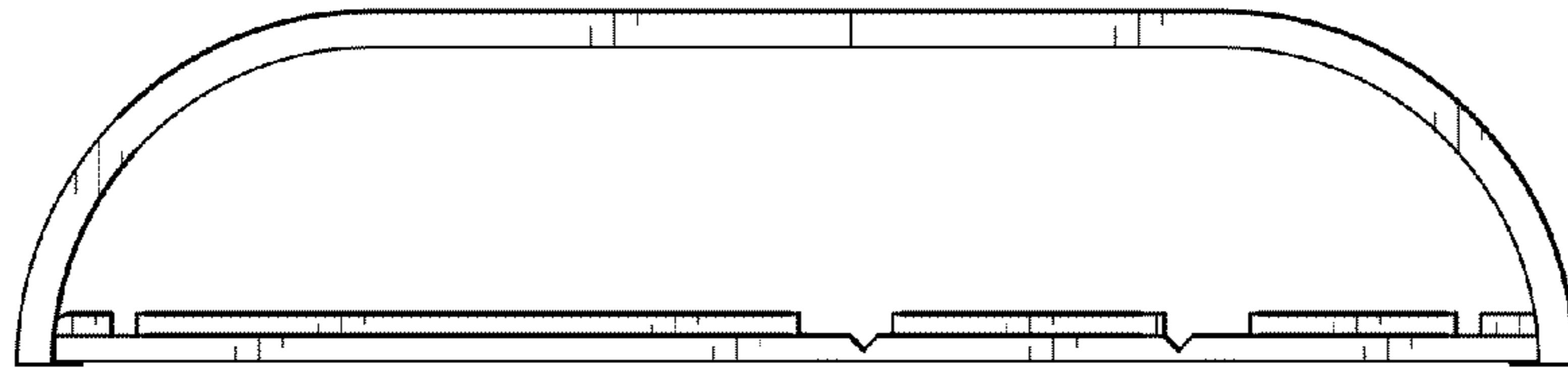


FIG. 2

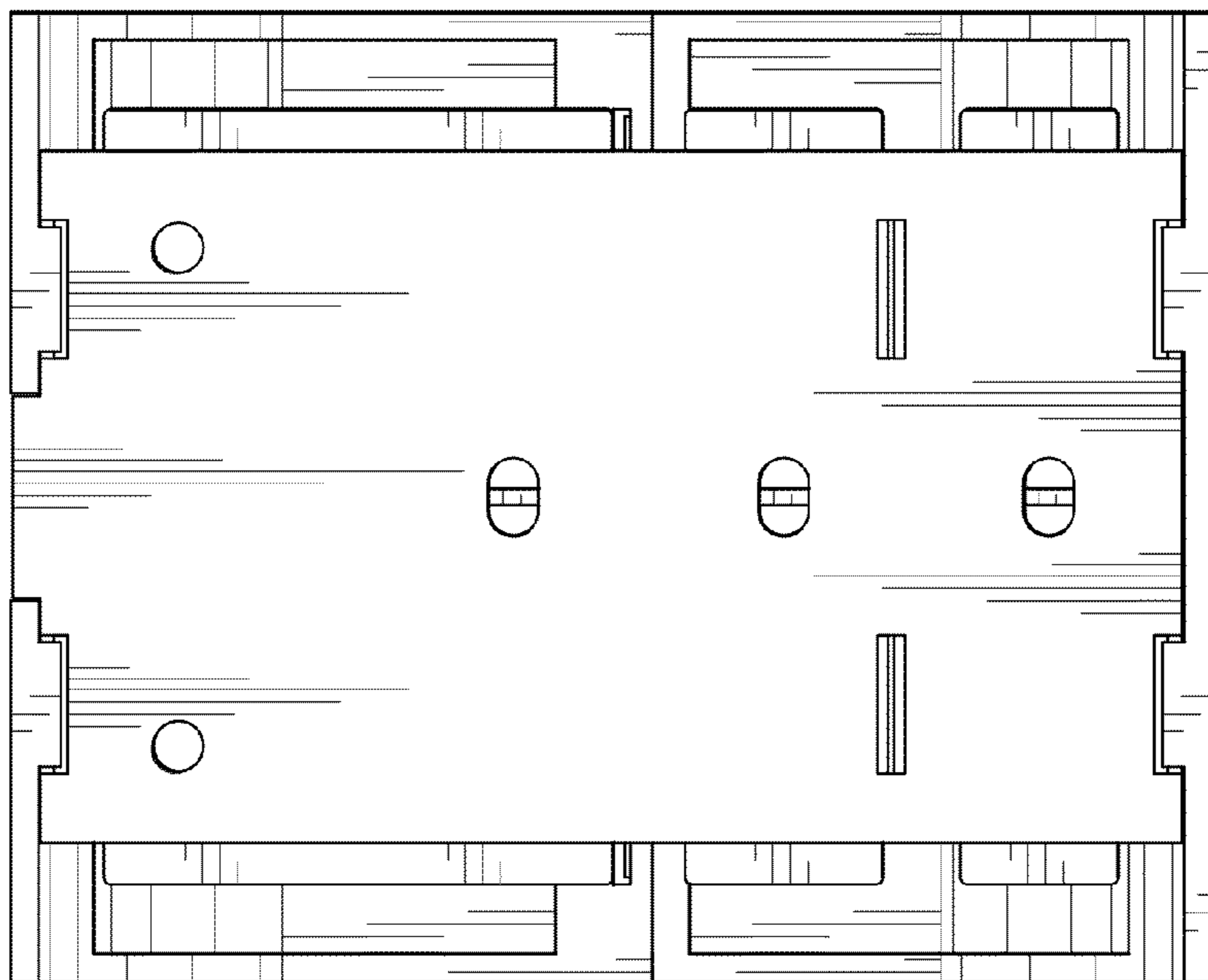


FIG. 3

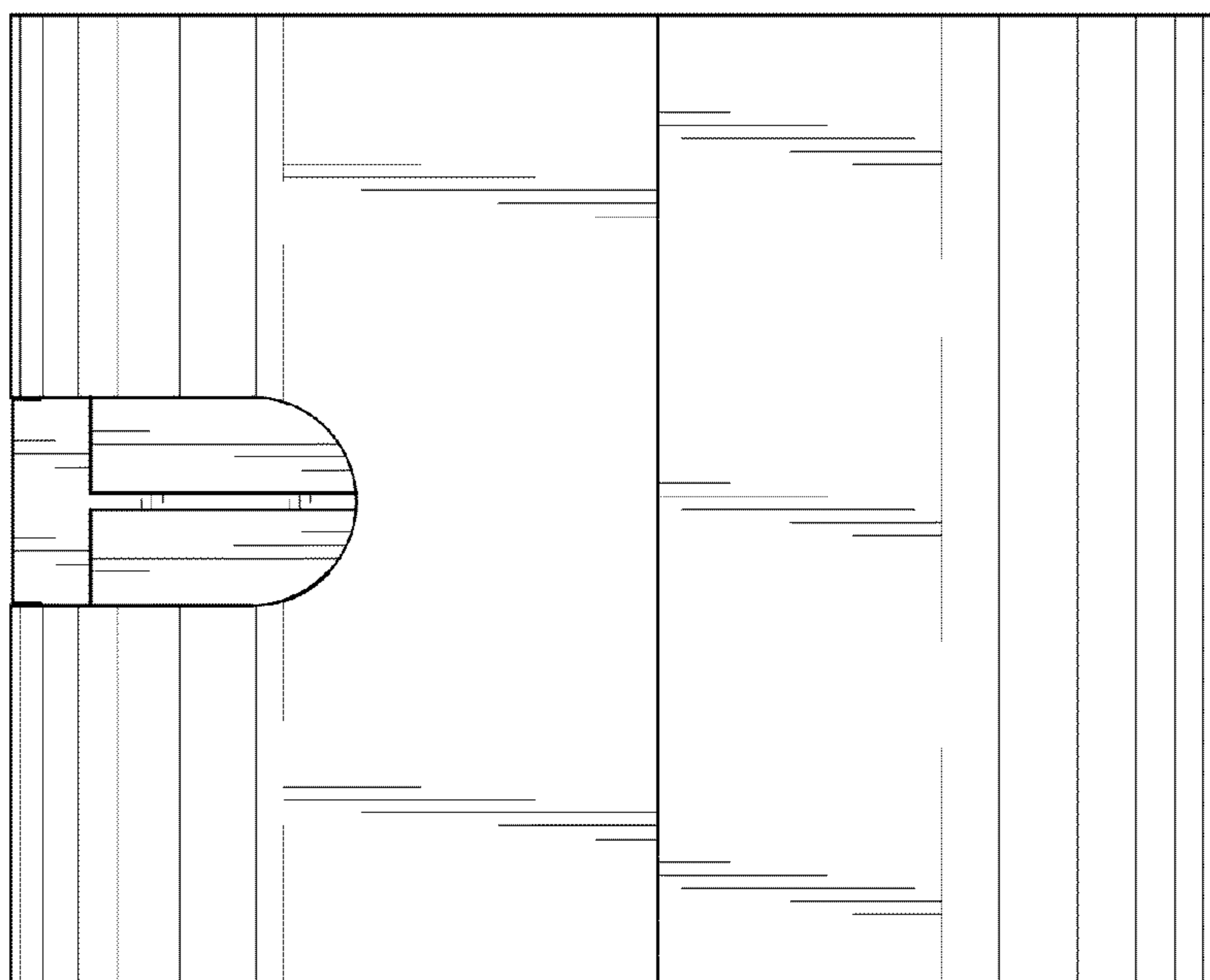


FIG. 4

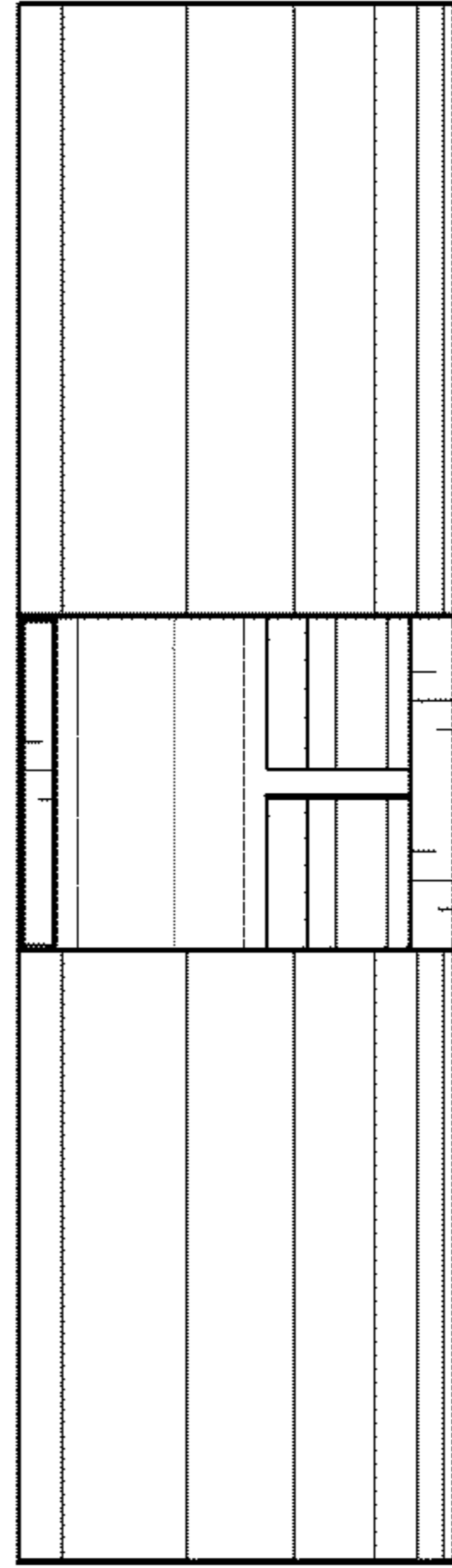


FIG. 5

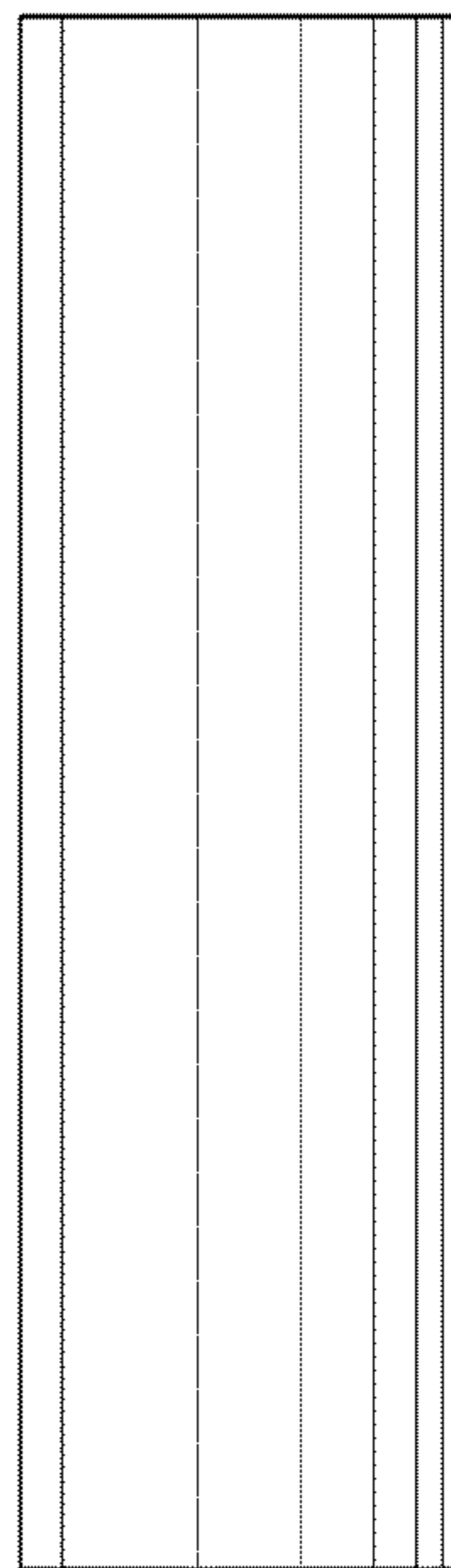


FIG. 6

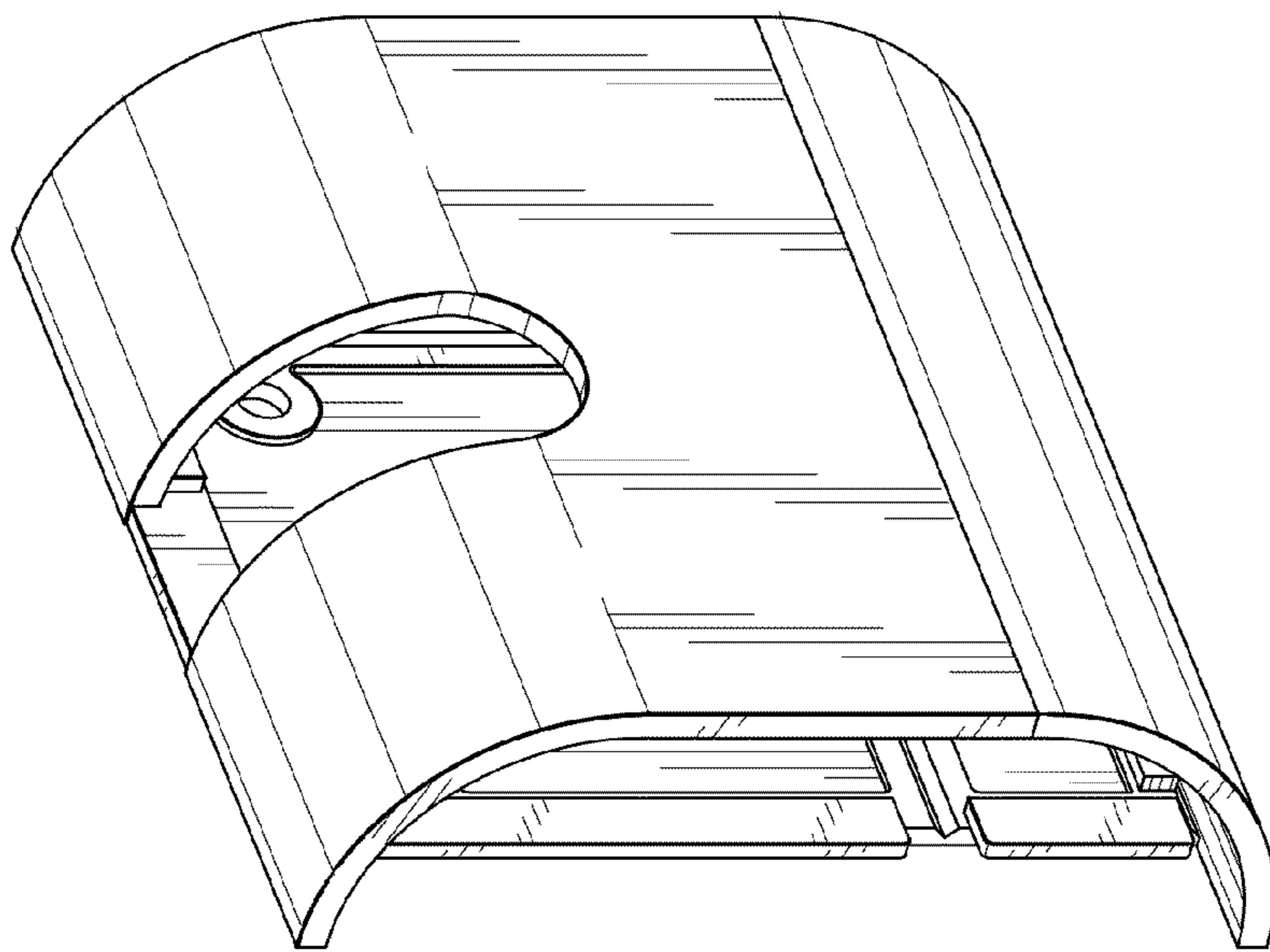


FIG. 7

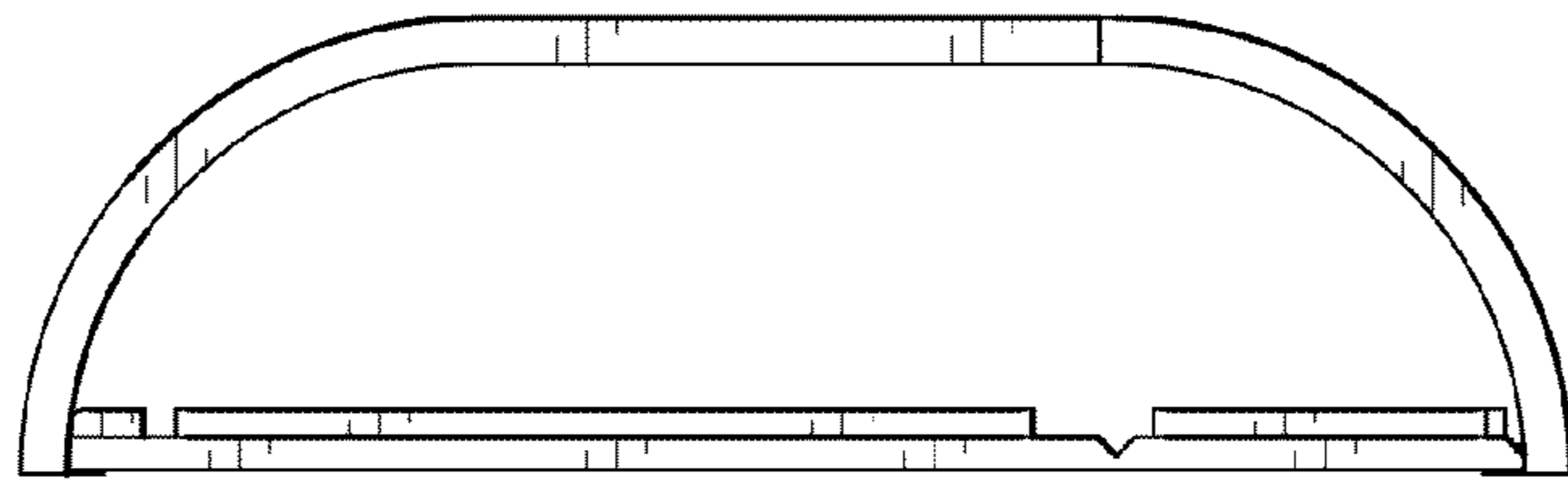


FIG. 8

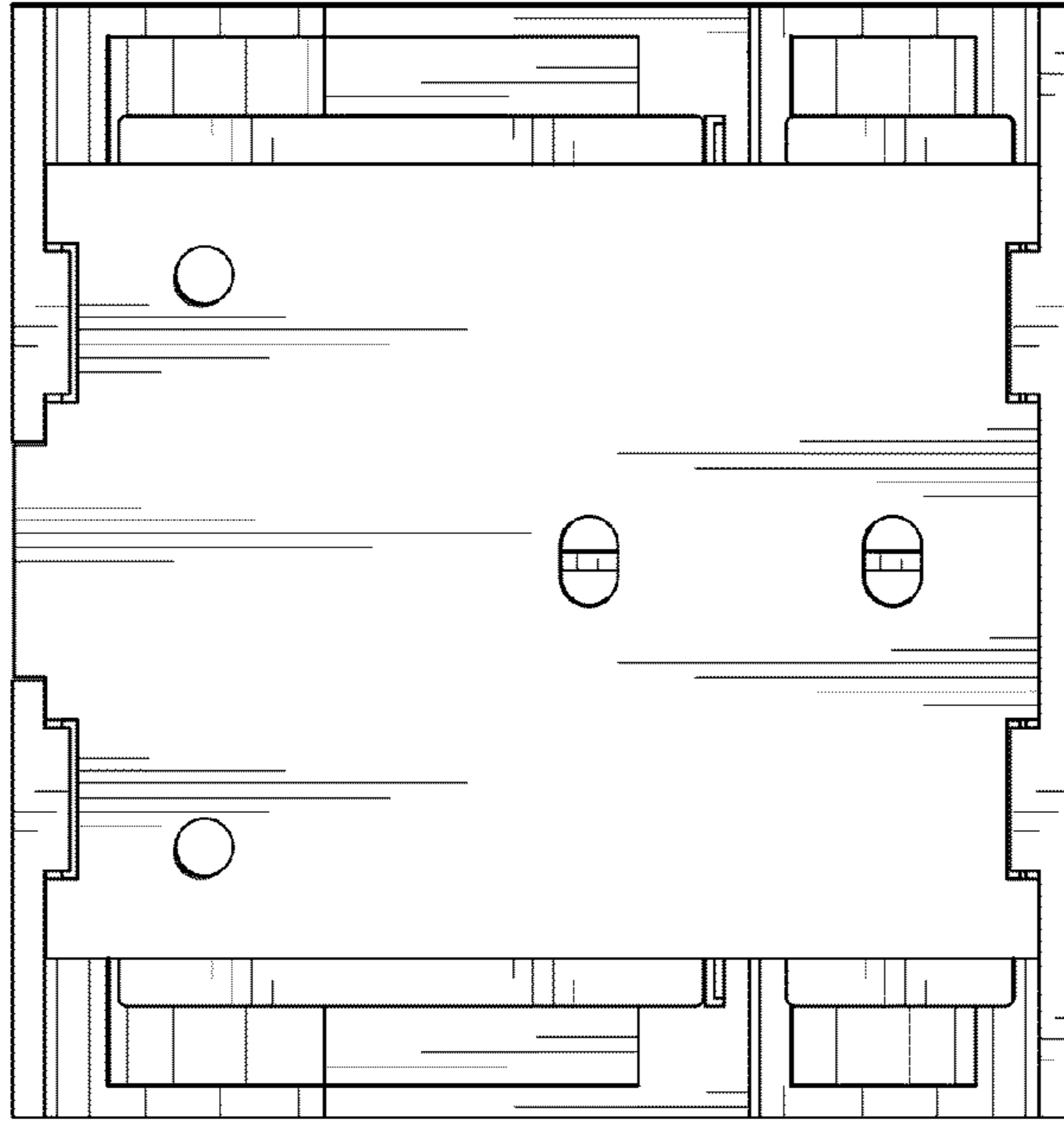


FIG. 10

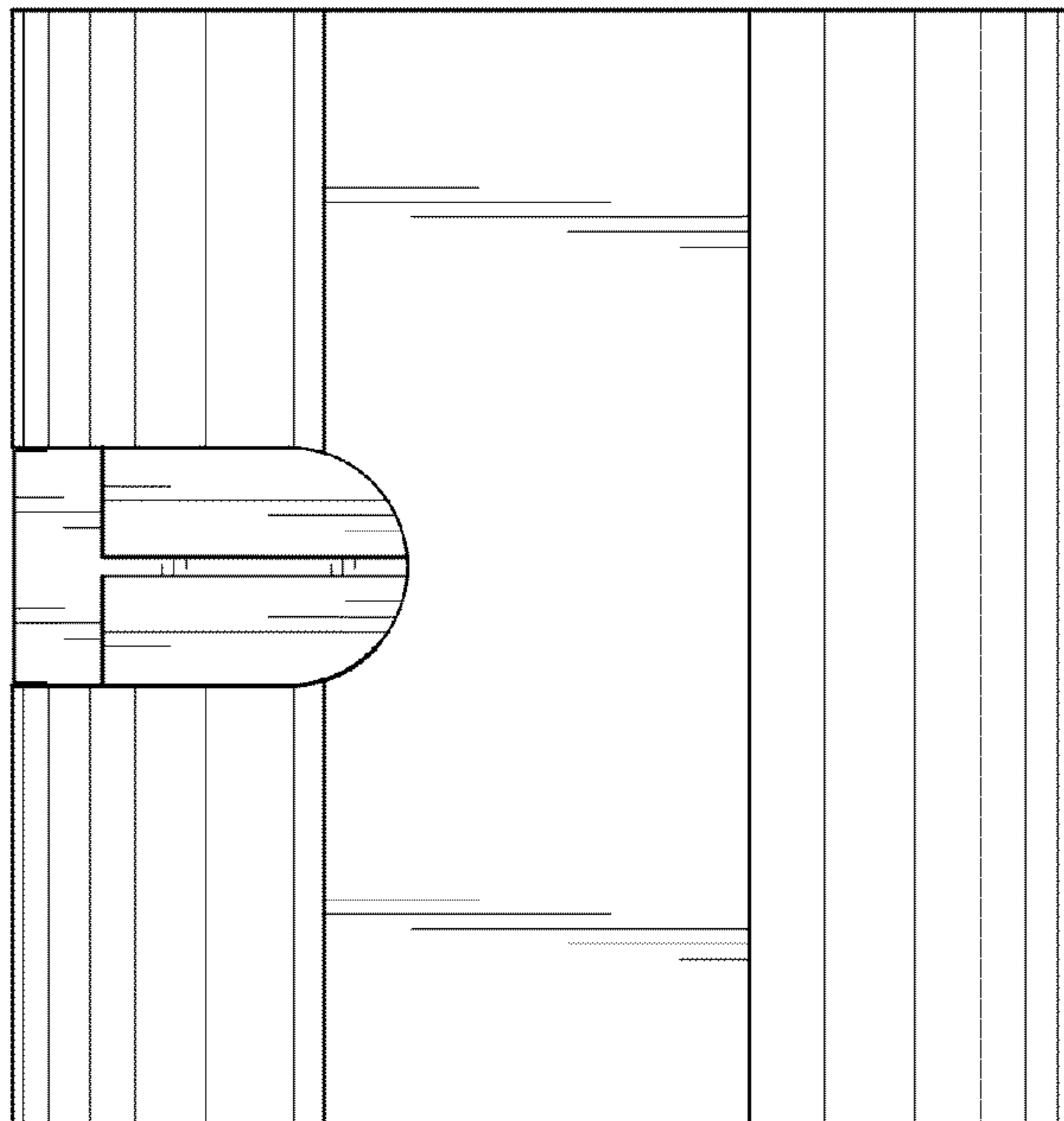


FIG. 9

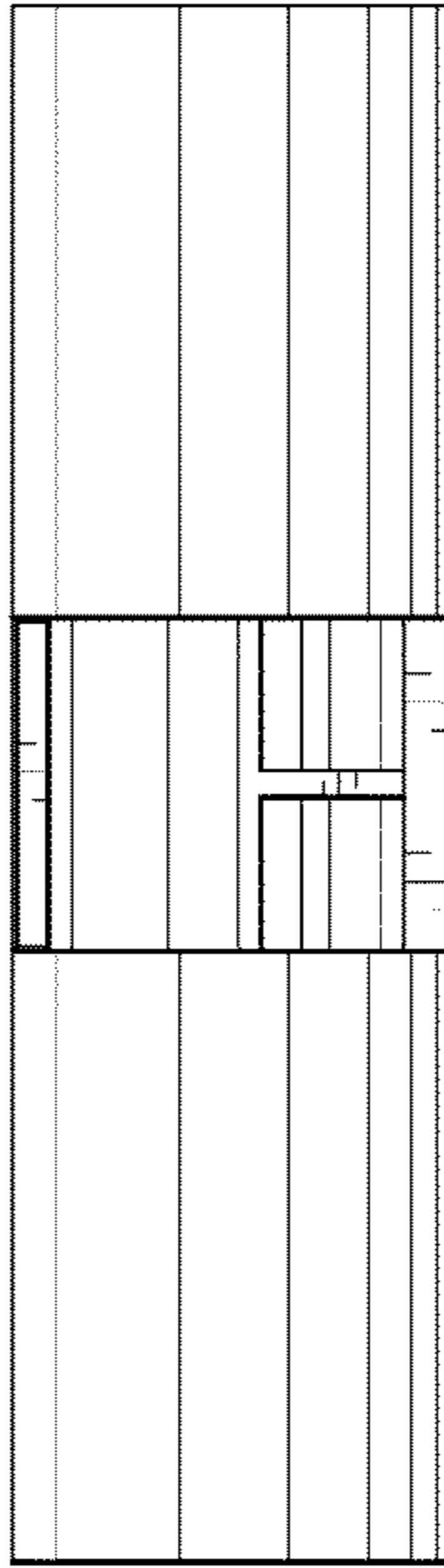


FIG. 11

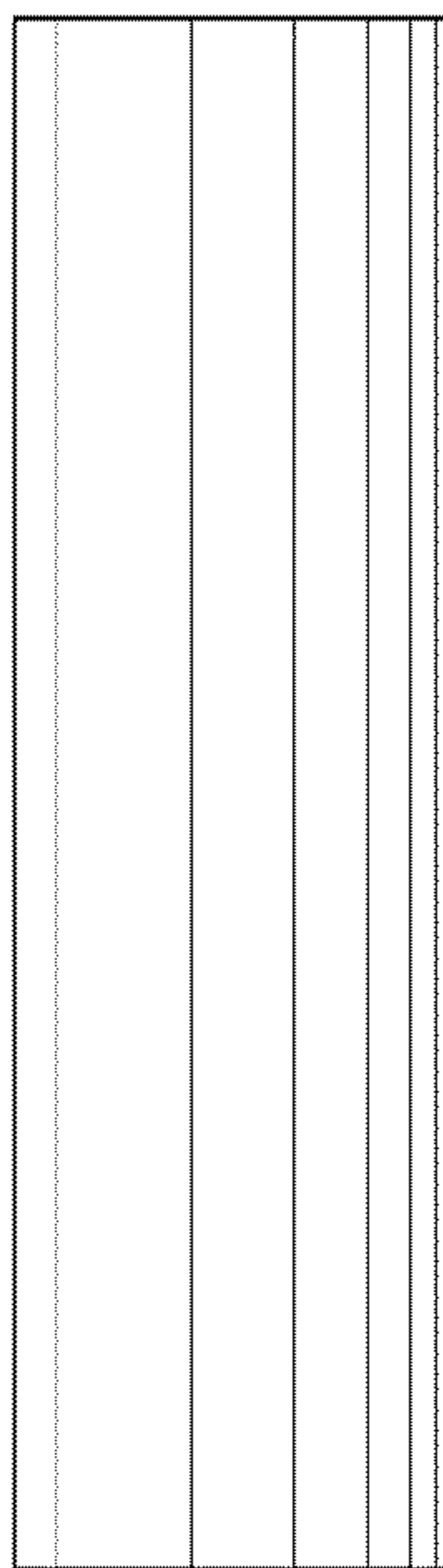


FIG. 12